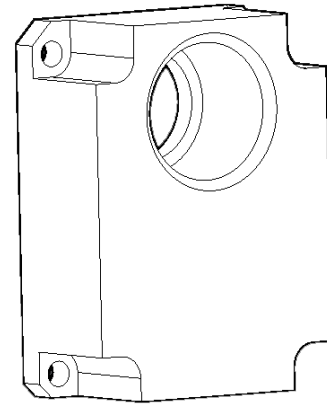




Table of Contents

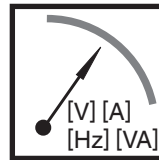
Table of Contents	Page 1
Attention	Page 1
Installing the Vent Line Adapter	Page 2
Vent Line Connection	Page 3



Attention



The installation and maintenance of this product must be done under the supervision of an experienced and trained specialist. Never perform work if gas pressure or power is applied, or in the presence of an open flame.



Check the ratings in the specifications to make sure that they are suitable for your application.



Please read the instruction before installing or operating. Keep the instruction in a safe place. You find the instruction also at www.dungs.com. If these instructions are not heeded, the result may be personal injury or damage to property.



On completion of work on the safety valve, perform a leakage and function test.



Any adjustment and application-specific adjustment values must be made in accordance with the appliance-/boiler manufacturers instructions.

Explanation of symbols

- 1, 2, 3 ... = Action
- = Instruction

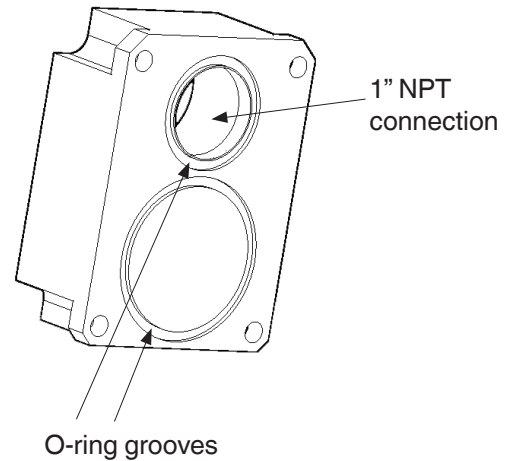
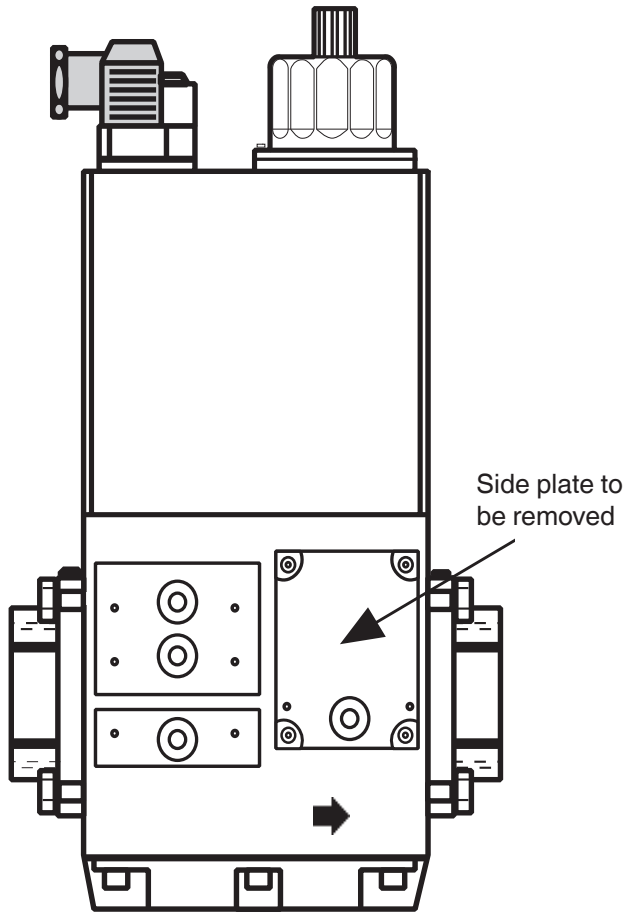
Installing the Vent Line Adapter

Recommended Preparation

- The power and main gas supply must be shut off before starting the installation.
- Read these installation instructions carefully.
- Examine the inside of the valve, vent line adapter and flanges. All piping must be clean and free of dirt.

Recommended Procedure to mount the Vent Line Adapter (VLA)

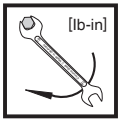
1. Using a 4 mm Allen driver, remove the side plate (located on either side of the valve) on which the VLA will be installed.
2. Insert the new o-rings supplied with the VLA in the appropriate grooves located on the back side of the VLA.
3. Mount the VLA to the valve so that the 1" NPT port is oriented towards the top of the valve.
4. Secure the VLA to the DMV with the 4 mm screws included with the VLA. Tighten in a criss cross pattern while torquing each screw to 45 lb-in.
5. After installation is completed, use a gas leak detection solution to leak test the vent line adapter to confirm that no leakage occurs. The presence of bubbles indicates a leak.



Vent Line Connection






Recommended Procedure to Pipe the Vent Line Adapter

- Use new, properly reamed and threaded pipe.
- Apply good quality pipe sealant, putting a moderate amount on the male threads only.
- Do not overtighten the pipe. Follow the maximum torque values listed below.



Recommended Torque System Accessories	1"	NPT pipe
	750	lb-in

- After installation is completed, using a soapy solution leak test the vent line connection to confirm that no leakage occurs. The presence of bubbles indicates a leak.

-  **The Vent Line must be properly installed. The use of a normally open vent valve is required.**
-  **See installation manual for supply gas line connections and operation of the DMV valve.**
-  **Not a supply gas connection, Vent Line connection ONLY.**
-  **Vent Line must terminate at a safe location as determined by the authority having jurisdiction.**
-  **Piping must comply with applicable local and national codes and ordinances, including the National Fuel Gas Code ANSI Z223.1/NFPA 54.**

