

## TCE | Temperature Controller with Digital Display

---



TCE

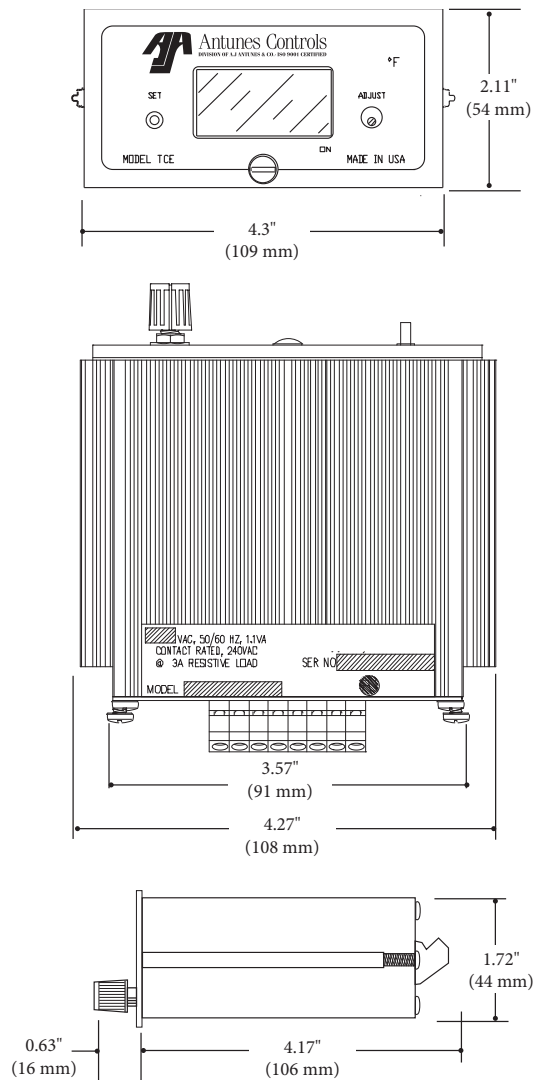
The TCE offers advanced technology and cost-effectiveness in one accurate, reliable model. It features a digital LED display and a sturdy anodized aluminum case. This controller can be modified to fit your specific needs.

### FEATURES

- Thermocouple input (Type J or K).
- Accuracy 1% full scale  $\pm$  LSD.
- Easy to install.
- Three digit LED display.
- °F and °C scaling.
- Screw terminal connections.
- Anodized aluminum case.
- Hysteresis 1° to 2° typical; can be factory preset to 10°.

# TCE | Temperature Controller with Digital Display

## Dimensions



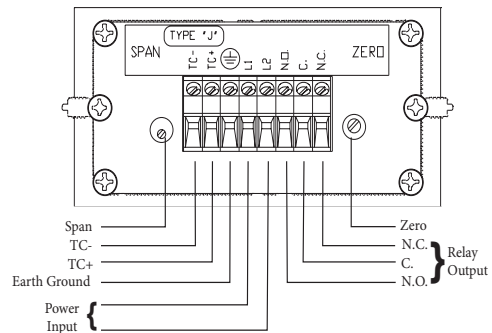
TCE Side View

Panel Knockout: 1.77" Ht. x 3.62" Wd. (45 mm x 92 mm)

## Specifications

- Sensor:** Thermocouple (Type J or K)
- Accuracy:** 1% Full Scale  $\pm$  1 LSD
- Power:** 12 VAC/DC, 24 VAC, 115 VAC, 230 VAC, 50/60Hz
- Controls:** On/Off
- Output:** 3A Relay, Standard (Resistive Load)  
or 12-16 VDC @ 30 mA
- Temperature Range:** 50°C to 990°F  
(10°C to 530°C)
- Ambient Operating Temperature:** -30°F to 140°F  
(-34°C to 60°C)
- Ambient Storage Temperature:** -40°F to 180°F  
(-40°C to 82°C)
- Connections:** Screw Terminal
- Setpoint Adjustment:** External Knob or Recessed  
Screw Drive Adjustment
- Hysteresis:** Typically 1-2° unless offered otherwise
- Display:** 3 Digit LED (0.56" High)
- Package:** 1/8 Din Panel Mount Anodized Aluminum Case
- Shipping Weight:** 2 lbs. (.9 kg)

## Wiring Diagram



Limitation of Liability. If it is understood and agreed that seller's liability whether in contract, in tort, under any warranty, in negligence or otherwise, shall not exceed the return of the amount of the purchase price paid by purchaser and under no circumstances shall seller be liable for special, indirect or consequential damages. The price stated for the equipment is a consideration in limiting seller's liability. No action, regardless of form, arising out of the transactions may be brought by purchaser more than one year after the cause of action has accrued.

P/N 1020382 Rev. C 04/16