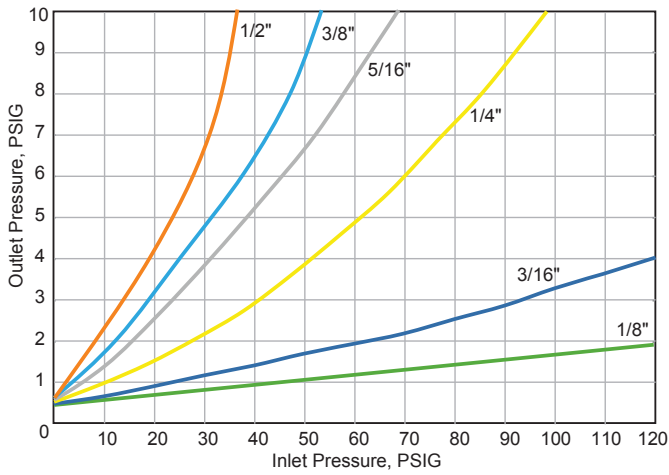




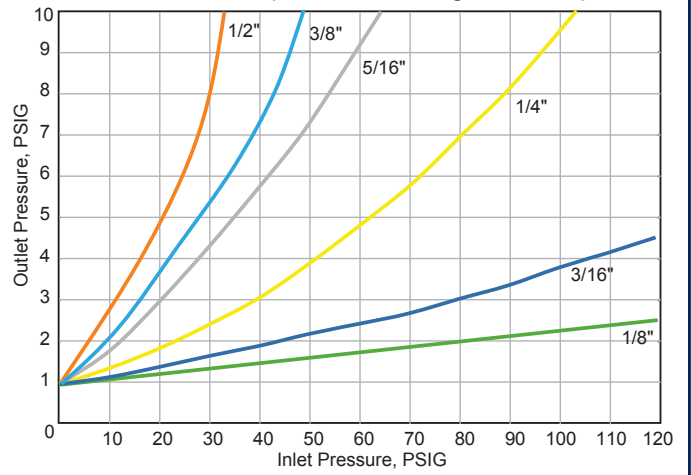


**P140 Relief Curves**

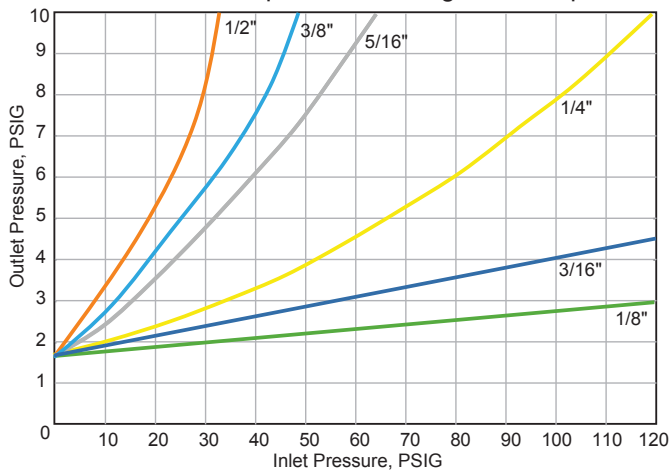
1" outlet, 1" vent port, 7" WC regulator set point



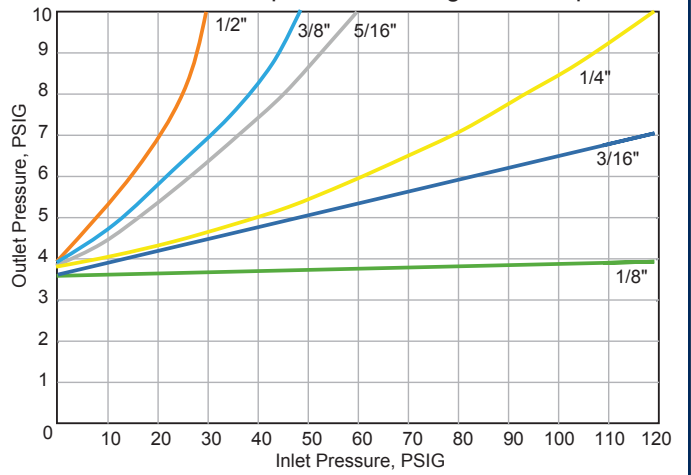
1" outlet, 1" vent port, 14" WC regulator set point



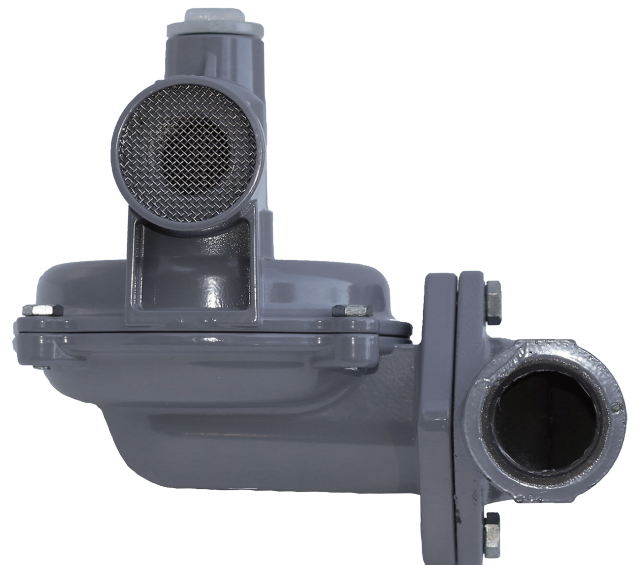
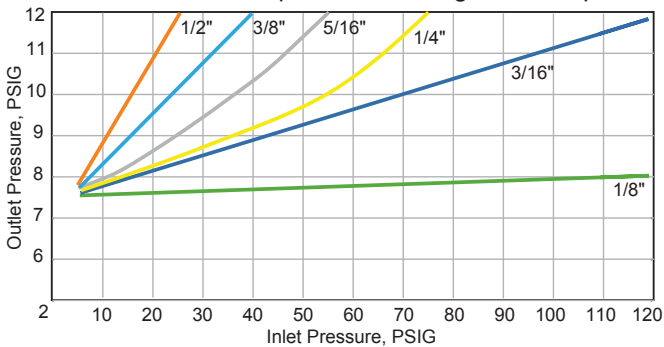
1" outlet, 1" vent port, 1 PSIG regulator set point



1" outlet, 1" vent port, 2 PSIG regulator set point



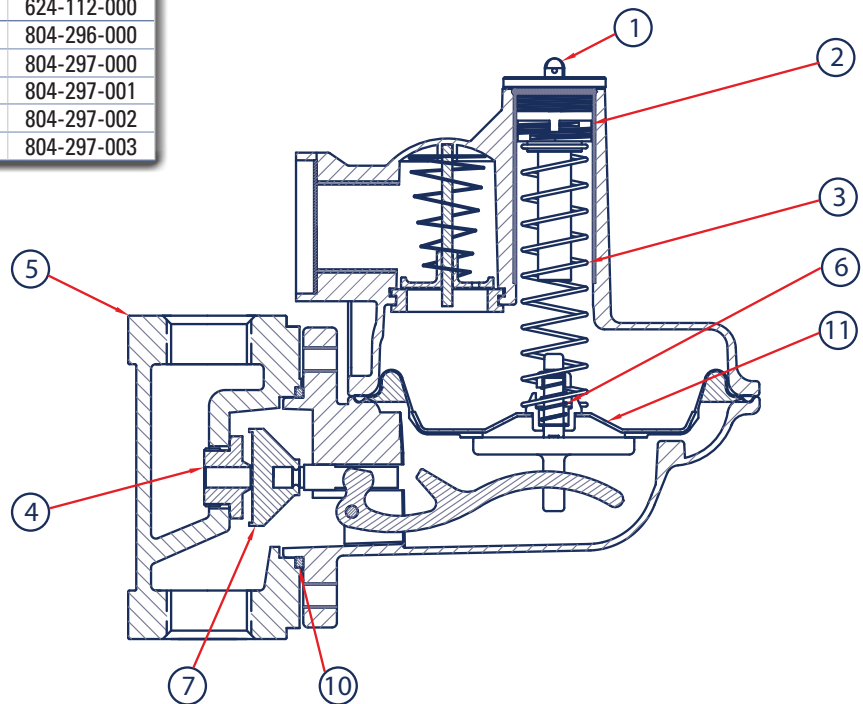
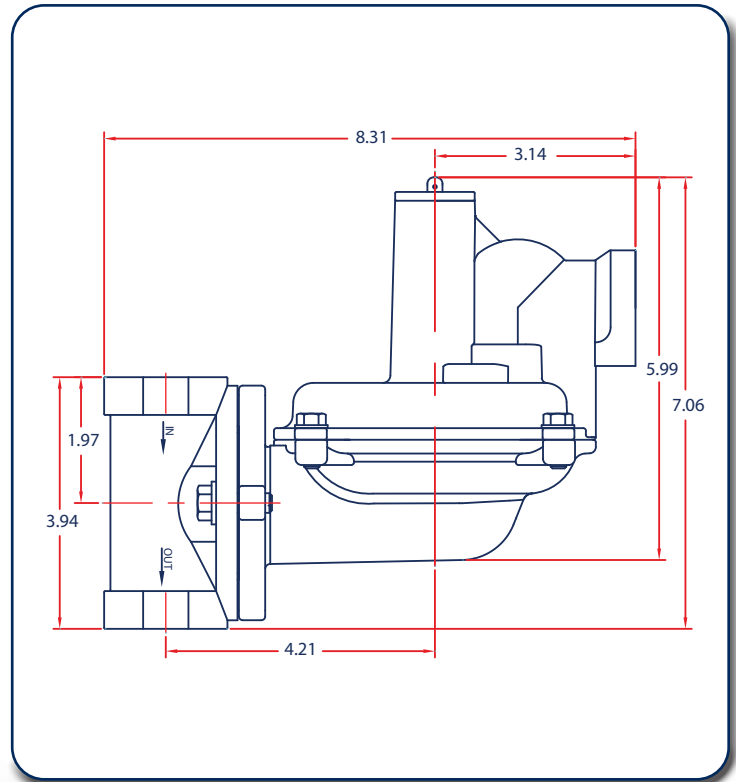
1" outlet, 1" vent port, 5 PSIG regulator set point



## P140 Standard Parts

Item	Description	Qty.	Part Number
1	Bonnet Cap w/ gasket	1	812-035-000
	Red Bonnet Cap w/ gasket	1	812-036-000
	Bonnet (5"-7" up to 1-2 psi)	1	604-291-000
	Bonnet (2-4 psi and 4-5 psi)		604-292-000
2	Adjustment Screw - 5" to 2 PSIG	1	648-581-000
	Adjustment Screw - 2 to 5 PSIG		648-581-001
3	<b>Range Springs</b>	1	
	5"-7" WC, Green		655-791-000
	6"-8" WC, Brown		655-791-001
	8"-14" WC, Blue		655-791-002
	12"-28" WC, Silver		655-791-003
	1-2 PSIG, Yellow/Black		655-791-004
	2-4 PSIG, Yellow		655-791-005
4-5 PSIG, White	655-791-006		
4	<b>Aluminum Orifices</b>	1	
	Orifice - 1/8"		688-076-500
	Orifice - 3/16"		688-076-501
	Orifice - 1/4"		688-076-502
	Orifice - 5/16"		688-076-503
	Orifice - 3/8"		688-076-504
5	<b>Cast Iron Bodies</b>	1	
	Iron Body - 3/4" NPT straight		664-449-000
	Iron Body - 3/4" NPT angle		664-450-000
	Iron Body - 3/4" x 1" NPT straight		664-451-000
	Iron Body - 3/4" x 1" NPT angle		664-452-000
	Iron Body - 1" NPT straight		664-453-000
	Iron Body - 1" NPT angle		664-454-000
	Iron Body - 1 1/4" NPT straight		664-455-000
	Iron Body - 1 1/4" NPT angle		664-456-000
6	<b>Relief Springs</b>	1	
	5" above set, Orange		655-792-000
	6" above set, Red		655-792-001
	7" above set, Purple		655-792-002
7	9" above set, Black	655-792-003	
	Seat - Nitrile	1	650-204-000
	SS Build Bolt (Not Shown)	4	648-587-000
	SS Body Bolt (Not Shown)	2	648-587-001
	Body Gasket	1	624-112-000
11	Non-relieving Diaphragm Assembly		804-296-000
	Relieving Diaphragm Assembly - 5"	1	804-297-000
	Relieving Diaphragm Assembly - 6"	1	804-297-001
	Relieving Diaphragm Assembly - 7"	1	804-297-002
	Relieving Diaphragm Assembly - 9"	1	804-297-003

## P140 Dimensions



### Notice:

When changing a lower pressure P140 to a higher pressure unit, the bonnet and adjustment screw must be changed as well.

5"-7" up to 1-2 psi spring ranges use;  
Bonnet 604-291-000 Adjust 648-581-000

2-4 psi and 4-5 psi spring ranges use;  
Bonnet 604-292-000 Adjust 648-581-001