

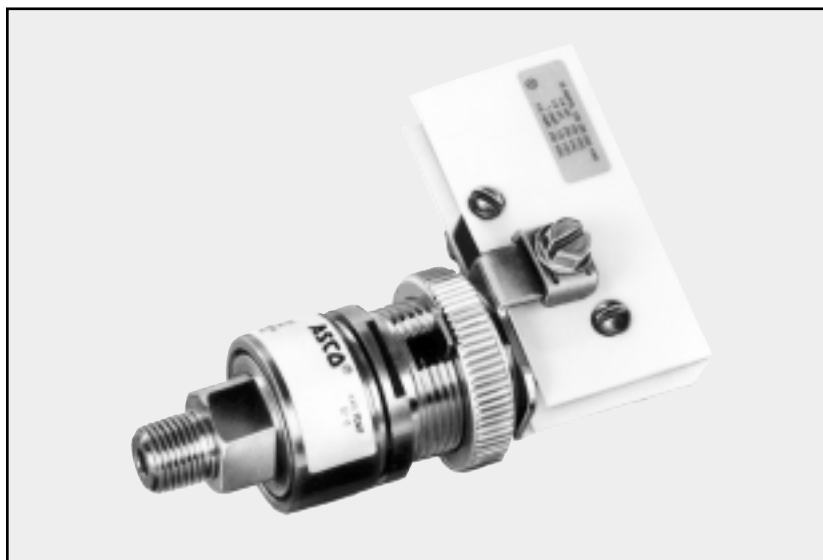
## Suffix L: Lowest-Cost Switches with Adjustable Set Points (Open Frame Construction)

### Features:

- Low cost for OEM applications.
- Miniature size.
- Wide selection of adjustable ranges.
- Fixed deadband.
- Resilient diaphragm/piston sensor for long life.
- Precision single-pole, double-throw snap switch with quick-connect 1/4" spade terminals.

### Standard Ratings and Wetted Materials

(See page 4)



### How to Select and Order

ASCO H-Series Suffix L switches are a single switch and transducer assembly.

#### How to Select

1. Select the adjustable operating range based on the desired actuation pressure.
2. Select desired process connection.

#### How to Order

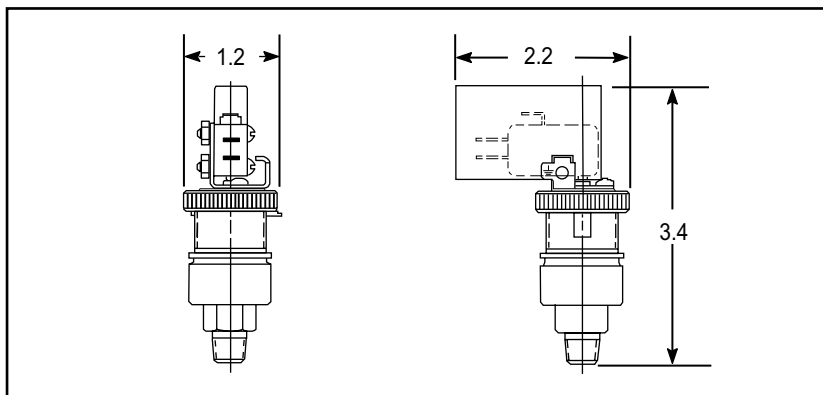
Simply order the selected H-Series Suffix L pressure switch by catalog number, e.g., HB46A218L describes an open frame pressure switch with adjustable operating range of 4 to 12 psig, 1/8" NPT external brass process connection and Buna "N" diaphragm.

#### Options (See page 4)

Change appropriate digit in catalog number for desired option, e.g., HB46A228L describes an open frame pressure switch with adjustable operating range and optional viton diaphragm (seventh digit "2").

**Note:** Optional snap switches not available on suffix "L" units.

### Dimensions (inches)



### Select H-Series Suffix L switch below

Adjustable Operating Range (psig)	Fixed Deadband At Mid-Range (psig) ①	SPDT (Form "C" Contact), Brass and Buna "N"		
		1/8" NPT External Process Connection	1/4" NPT External Process Connection	1/8" NPT Internal Process Connection ②
		Catalog No.	Catalog No.	Catalog No.
4 - 12	3.0	HB46A218L	HB46A214L	HB46A215L
8 - 25	3.6	HB36A218L	HB36A214L	HB36A215L
20 - 50	5.5	HB26A218L	HB26A214L	HB26A215L
35 - 80	7.0	HB16A218L	HB16A214L	HB16A215L
40 - 120	14.0	HC26A218L	HC26A214L	HC26A215L
80 - 200	21.0	HC16A218L	HC16A214L	HC16A215L

① Values shown are nominal. ② May be used for panel or bracket mounting.