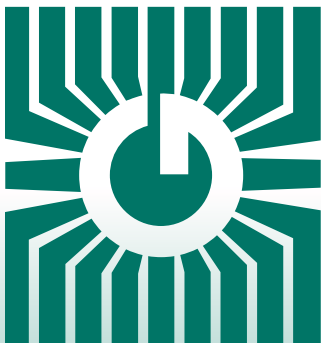


GREYSTONE ENERGY SYSTEMS INC



DIFFERENTIAL PRESSURE SWITCH GFS Series



Precision pressure control/sensing

FEATURES:

- The housing contains a diaphragm, a snap-acting SPDT switch, range adjustment knob with increments
- The sample connections located on the side accept 6.35mm (0.25") OD tubing
- An enclosure cover guards against accidental contact with the live switch terminal screws and the set point adjusting knob with indication.
- Optional pressure ranges available.
- Includes 2 pick up tubes and 2 M (6.56') of PVC tubing

*Peace of mind
through reliable
pressure monitoring*

GREYSTONE HAS AN **ISO 9001** REGISTERED QUALITY SYSTEM

SPECIFICATIONS:

Adjustment Range See Product Ordering Information
 Adjustment Knob Markings Scaled in Pascal and " WC
 Switch Tolerance ±15%
 Maximum Operating Pressure... 1.45 PSI (10 kPa) for all pressure ranges
 Medium Air, non-combustible and non-aggressive gases
 Temperature Range Medium and ambient temperature
 -20°C to 60°C (-4°F to 140°F)
 Storage temperature
 -40°C to 85°C (-40°F to 185°F)
 Diaphragm Material Silicone, tempered at 200°C, free of gas emissions
 Pressure Connections 2 plastic pipe connections pieces (P1 and P2), external diameter 6.0 mm
 P1 for connection to higher pressure
 P2 for connection to lower pressure

Electrical Rating Max. 1.0A (0.4A) / 250 VAC, 50/60 Hz
 Max. 0.1 A / 24 VDC
 Electrical Connections AMP flat plug 6.3 mm x 0.8 mm
 Push-on screw terminals
 Cable conduit with cable relief
 Mechanical Working Life Over 10 million switching operations
 Housing Materials Switch body made of PA 6.6
 Cover made of PC
 Protection Category IP54 with cover (NEMA 13)
 Weight With cover 160 g
 Included Accessories 2 meters of PVC hose and 2 plastic tubes
 Set of 3 push-on screw terminals
 Approvals ETL Approved, No. 3192203
 Approval Standards UL508 & CSA 22.2

PRODUCT ORDERING INFORMATION

MODEL	Product Description
GFS	Adjustable Airflow Switch with Setpoint Indication

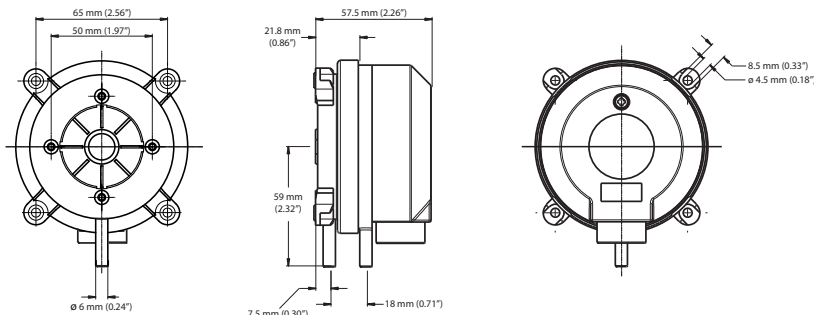
CODE	Range
80	0.08" to 1.20" w.c. (20 to 300 Pa), Switch differential 0.04" w.c. (10 Pa)
83	0.2" to 2.00" w.c. (50 to 500 Pa), Switch differential 0.08" w.c. (20 Pa)
86	2.00" to 10.00" w.c. (500 to 2500 Pa), Switch differential 0.60" w.c. (150 Pa)

CODE	Electrical Connections
N-IK	1/2" NPT Connection
M-IK	M20 Connection

GFS	80	N-IK
-----	----	------

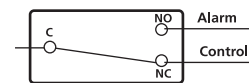
Greystone Energy Systems Inc. reserves the right to make design modifications without prior notice.

Dimensions in millimeters and (inches)



Alarm or Control

To prove excessive airflow or pressure



To prove insufficient airflow or pressure



Greystone Energy Systems Inc. is one of North America's largest ISO registered manufacturers of HVAC/R sensors and transmitters for Building Automation Management Systems.

We have conscientiously established a worldwide reputation as an industry leader by maintaining leading-edge design technology, prompt technical support, and a commitment to on-time deliveries. We take pride in our Quality Management System which is ISO 9001 certified, assuring our customers of consistent product reliability.

GREYSTONE HAS AN ISO 9001 REGISTERED QUALITY SYSTEM