

# Dual Modular Safety Shutoff Valves with NEMA 4x Enclosure

DMV-D 704/604  
DMV-DLE 704/604

**DUNGS**<sup>®</sup>  
Combustion Controls



**Two normally closed safety shutoff valves in one housing; each with the following approval.**

#### CSA Certified

- ANSI Z21.21
- CSA 6.5
- Marked C/I
- File # 112901

#### Commonwealth of Massachusetts Approved Product

- Approval code G1-1107-35
- Gas Safety Shutoff Valve

#### US, Canadian and EU Models

- DMV-D 704/604
- DMV-DLE 704/604
- 2 in. NPT or 2 in. Rp

#### Codes and Standards

This product is intended for installations covered by but not limited to NFPA 86, NFPA 37, NFPA 160, ANSI Z83.4/ CSA 3.7, ANSI Z83.18/CSA 4.9, ANSI Z21.13, CSD-1, CAN1-3.1, CGA 3.2, CSA 3.8, CSA B149.1 or CSA B149.3.

**DUNGS is an ISO 9001 manufacturing facility.**



#### Description

The Dual Modular Valve (DMV) combines two safety shutoff valves in one compact housing, which can be wired independently or in parallel.

Valve 1 (V1) of the DMV-D and DMV-DLE series is fast opening and fast closing. Valve 2 (V2) of the DMV-D is fast opening, while V2 of the DMV-DLE is slow-opening for smoother light-off. Max. flow adjustment on V2 provides variable main flow on both models.

Internal profiles and compact design optimize flow and provide a low pressure drop.

Directly mounting the following accessories creates a compact valve train without additional piping:

- High and low gas pressure switches.
- Vent line adapter
- VPS Valve Proving System
- DMK Butterfly control valve
- 1" NPT Vent line adapter

#### Application

The DMV is recommended for industrial and commercial heating applications that require two safety shutoff valves. The DMV is suitable for dry natural gas, propane, butane, air and inert gases.

A "dry" gas has a dew point lower than +15 °F and its relative humidity is less than 60 %.

**DMV-D 704/604** Two normally closed safety shutoff valves in one housing. V1 and V2 are fast opening, fast closing. Adjustable max. flow with V2.

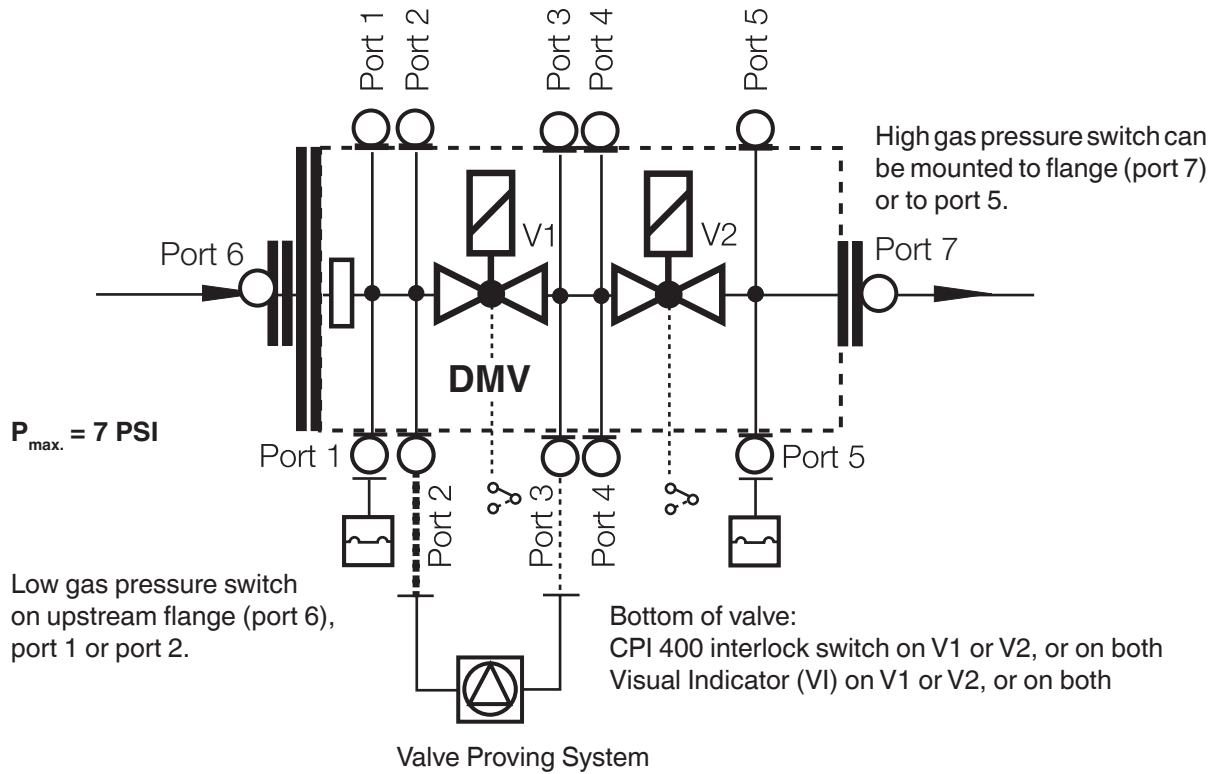
**DMV-DLE 704/604** Two normally closed safety shutoff valves in one housing. V1 fast opening, fast closing. V2 is slow opening, fast closing. Adjustable max. flow and adjustable initial lift with V2.


### Specifications

Body sizes	DMV-D(LE) 704/604	
Pipe size / Thread	2" NPT or Rp	
Max. operating pressure	7 PSI (500 mbar)	
Max. body pressure	15 PSI (1000 mbar)	
Max. close off pressure	10 PSI (750 mbar)	
Electrical ratings (+10 % / -15 %)	110 - 120 VAC @ 50 - 60 Hz	
Power ratings	DMV-D(LE) 704/604: 90 VA Ratings shown are total power consumption for both valves inclusive. Inrush and full load current have the same VA rating.	
Enclosure rating	NEMA Type 4x	
Electrical connection	DIN-connector with 1/2" NPT conduit adapter	
Operating time	100 % duty cycle	
Closing time	< 1 s	
Opening time (to max. flow)	DMV-D 704/604	V1 & V2 < 1 s
	DMV-DLE 704/604	V1 < 1 s; V2 Adjustable to approx. 10 to 20 s at 70 °F
Initial lift adjustment	Adjustable on V2	DLE only; 0 to 70 % of total flow; 0 to 35% of stroke
Max. flow adjustment	Adjustable on V2	<10 to 100 % of total flow; <10 to 100% of stroke
Materials in contact with gas	Housing: Aluminium, Steel free of non-ferrous metals. Sealings on valve seats: NBR-based rubber	
Ambient temperature rating	-20 °F to +140 °F (-30 °C to +60 °C)	
Installation position	Safety shutoff valve from vertically upright to horizontal	
Gas strainer (standard)	Installed in the housing upstream V1 (23 mesh)	
Position indication (order separately)	CPI 400 (with indication lamps and SPDT interlock switch) or Visual Indicator (VI)	
Test ports / Pressure switch mounting ports	G 1/8 ISO 228 ports available on both sides. Each side has two ports upstream of V1, two between V1 and V2, one downstream V2 and one on each flange.	

## DMV dual modular safety shutoff valve system

Optional mounting system shown,  
other configurations possible



 When an accessory is added to the DMV, it may not be possible to mount other devices.

### Additional Accessories

**GAO/GMH/GML A2** pressure switch

### Position indication

CPI 400 with indication lamps and SPDT interlock switch or Visual indicator (VI)

### DMK butterfly control valve

Mounts directly downstream of DMV to modulate gas flow. Requires actuator. Use DMA actuator with DMK butterfly valve. NEMA 4 enclosure available.

### Adapters

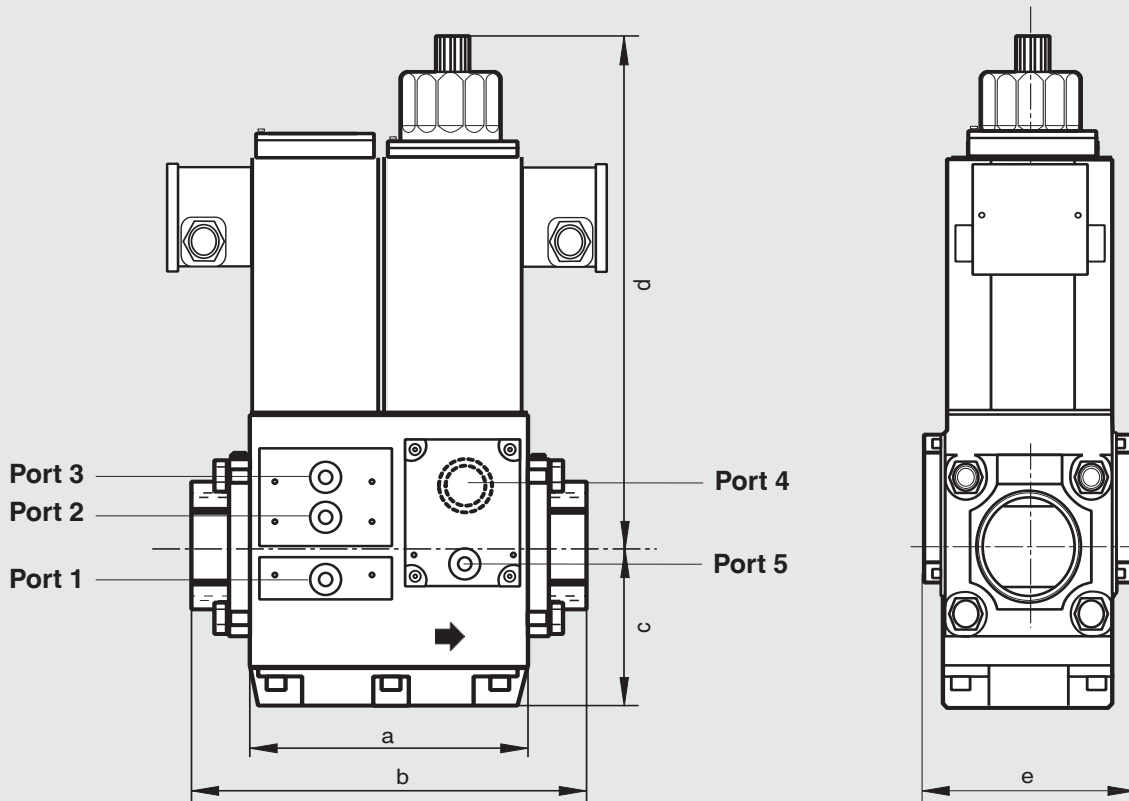
- 1/4" NPT adapter (225047)
- 1/2" NPT Pilot gas adapter; Check flow requirements. (225043)

- G 1/8" Test nipple (219008)
- 1" NPT Vent line adapter (243760)

### VPS 504 S06 Valve Proving System

Mounts directly to either side of the valve, and can be used in lieu of a normally open vent valve and/or proof of closure in many jurisdictions.

Dimensions inch (mm)




Type	110-120 VAC @ 50-60 Hz Order No.	Power* [VA]	Dimensions [inch] Dimensions [mm]					Weight [lbs] [kg]
			a	b	c	d	e	
DMV-D 704/604	241625	90	6.4 162	9.4 239	3.5 88	9.7 245	4.8 123	26.6 12,1
DMV-DLE 704/604	241617	90	6.4 162	9.4 239	3.5 88	9.7 245	4.8 123	27.0 12,3

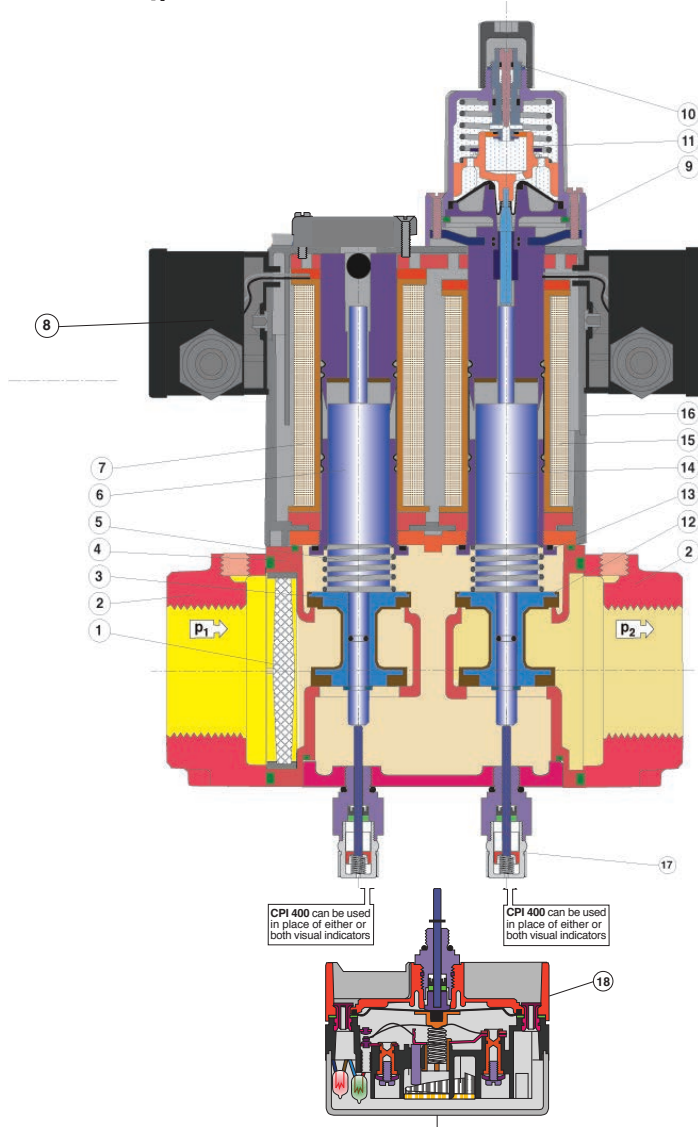
\* Inrush current and full load current have the same VA rating.

Valve Description	Flange	NPT	Rp
DMV-D 704/604	2"	232407	215384
DMV-DLE 704/604	2"	232407	215384

Accessories/Adapters	P/N
CPI 400 Interlock switch	266968
Visual indicator (mechanical valve position indicator)	266949
Vent Line Adapter (field mountable)	243760

 Please order flanges, position indicators and gas filters separately

**DMV-D(LE) 704/604  
sectional drawing**



- 1 Strainer
- 2 Flange
- 3 Valve V1
- 4 Housing
- 5 Closing spring V1
- 6 Plunger V1
- 7 Solenoid V1
- 8 Electrical connection
- 9 Max flow adjustment
- 10 Initial lift adjustment (DMV-DLE)
- 11 Hydraulic brake (DMV-DLE)
- 12 Valve V2
- 13 Closing spring V2
- 14 Plunger V2
- 15 Solenoid V2
- 16 Solenoid housing
- 17 Visual indicator (VI)
- 18 CPI 400 interlock switch

**Pressure drop for other gases**

To determine the pressure drop when using a gas other than natural gas, use the flow formula below and f value located in the table below to determine

the “corrected” flow rate in CFH through the valve for the other gas used. For example, when using propane, divide the volume (CFH) of propane required for the application by the calculated value

f (f = 0.66 for propane). Use this “corrected” flow rate and the flow curve on the next page to determine pressure drop for propane.

**Determining equivalent flow through valves using another gas**

$$\dot{V}_{\text{gas used}} = \dot{V}_{\text{Natural gas}} \times f$$

$$f = \sqrt{\frac{\text{Density of Natural gas}}{\text{Density of gas used}}}$$

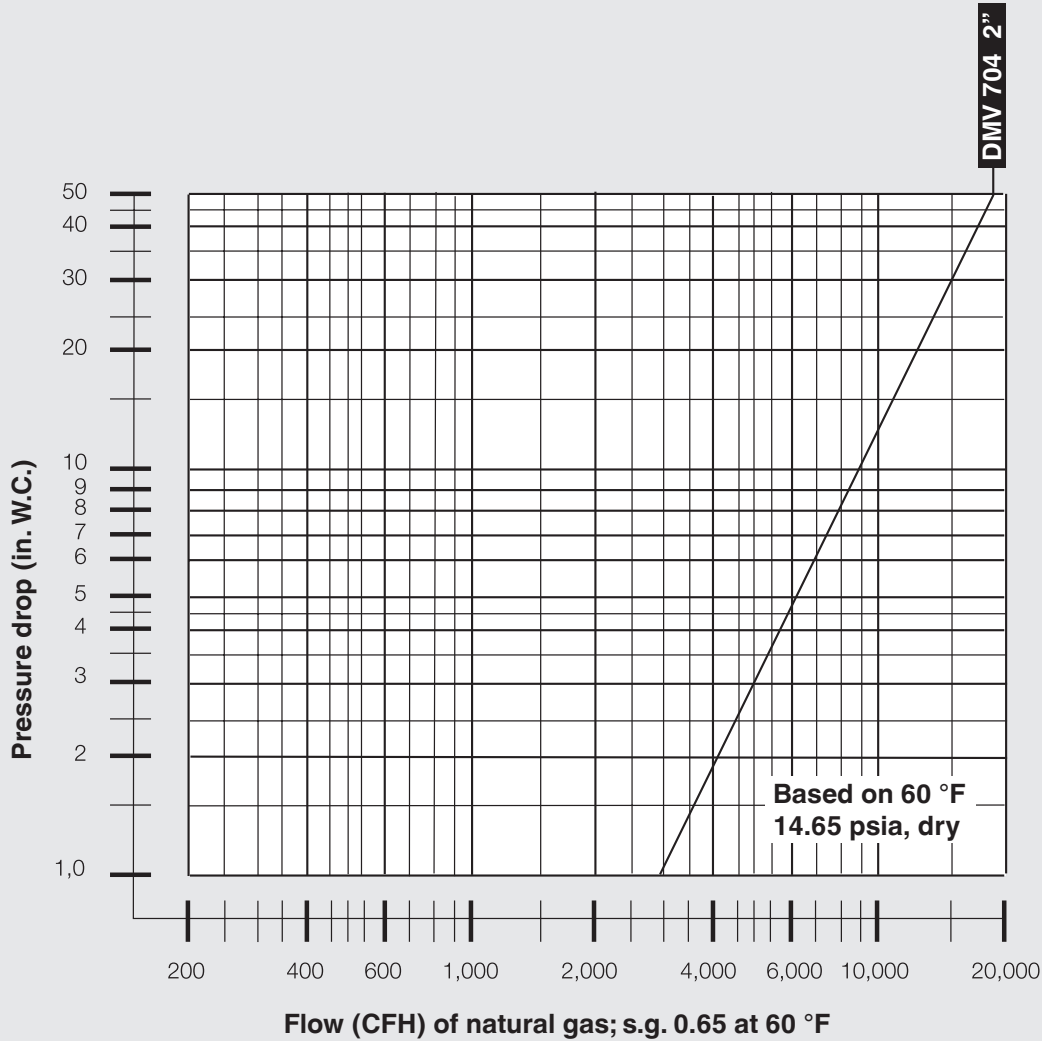
Type of gas	Density [kg/m <sup>3</sup> ]	s.g.	f
Natural gas	0.81	0.65	1.00
Butane	2.39	1.95	0.58
Propane	1.86	1.50	0.66
Air	1.24	1.00	0.80

**Dual Modular Safety  
Shutoff Valves with  
NEMA 4x Enclosure**

**DMV-D 704/604  
DMV-DLE 704/604**



**Flow curve**



We reserve the right to make any changes in the interest of technical progress.



**Karl Dungs, Inc.**  
3890 Pheasant Ridge Drive NE  
Suite 150  
Blaine, MN 55449, U.S.A.  
Phone 763 582-1700  
Fax 763 582-1799  
e-mail [info@karldungsusa.com](mailto:info@karldungsusa.com)  
Internet <http://www.dungs.com/usa/>

**Karl Dungs GmbH & Co. KG**  
P.O. Box 12 29  
D-73602 Schorndorf, Germany  
Phone +49 (0)7181-804-0  
Fax +49 (0)7181-804-166  
e-mail [info@dungs.com](mailto:info@dungs.com)  
Internet <http://www.dungs.com>