

P912 Pressure Regulator

- Versatile
- Control Accuracy
- Compact Design
- Removable Vent Screen

The Type P912 pressure regulator functions as a pneumatic pressure controlling device with an adjustable set point. The P912 can be used in a variety of applications in which accurate pressure regulation is required. The internal relief feature allows the regulator to respond quickly and to relieve excessive pressure.

Applications

Applicable to a wide range of gaseous fluids, including air, natural gas and propane. Can be used as a LP regulator.



Specifications

P912			
Inlet	1/4 NPT		
Outlet	1/4 or 3/8 NPT		
Temperature Range	-20 to 170 °F (-29° to 77°C)		
Outlet Pressure Ranges	3-7 inches WC	7 to 17 mBAR	
	5-10 inches WC	12 to 25 mBAR	
	9.25-13 inches WC	23 to 32 mBAR	U.L. 144 Listed
	10 inches WC-1.05 PSIG	25 to 72 mBAR	
	0.8-2.7 PSIG	55-186 mBAR	U.L. 144 Listed
	2.7-5 PSIG	186-340 mBAR	U.L. 144 Listed
Maximum allowable inlet pressure	250 PSIG (17.3 BAR)		
Approximate Weight	1.3 lbs. 0.59 kg		

Materials of Construction

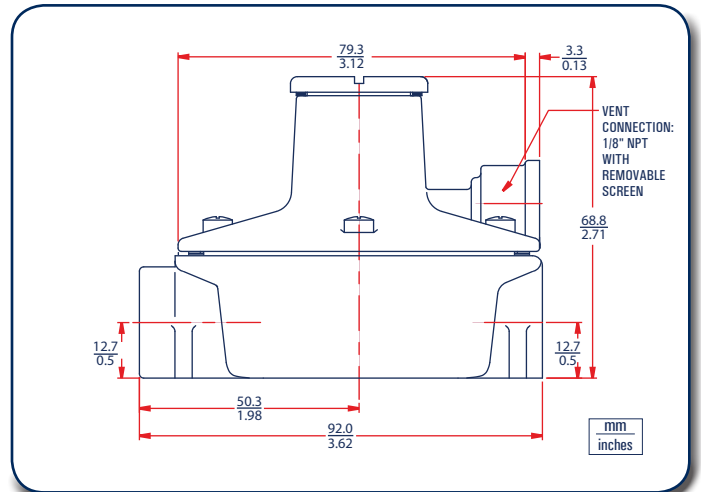
	P912
Body, Bonnet	Zinc
Diaphragm	Nitrile
Diaphragm Assembly	Zinc/Nitrile
Gaskets	Non-asbestos, CGR 2750
Pin	Stainless Steel
Vent screen	Monel
Spring	Zinc-Plated Steel
Diaphragm Piston	Zinc-Plated Steel

Output Pressure Settings	Outlet Pressure Setting	Spring Part Number	Offset	Capacity in SCFH (m3/h) of 0.6 Specific Gravity Natural Gas																
				Inlet Pressure, PSIG/BAR																
				5	10	25	50	75	100	150	200	250								
				0.34	0.69	1.7	3.4	5.2	6.9	10	14	17								
5 inches WC 12 mBAR	3 to 7 inches WC 7 to 17 mBAR	655-681-000	1 inch WC	50	65	75	100													
			2.5 mBAR	1.34	1.74	2.01	2.68													
7 inches WC 17 mBAR	5 to 10 inches WC 12 to 25 mBAR	655-682-000	1 inch WC		75	112	155	155	155	155	155	155								
			2.5 mBAR		2.01	3.0	4.15	4.15	4.15	4.15	4.15	4.15								
11 inches WC 27 mBAR	9-1/4 to 13 inches WC 23 to 32 mBAR	655-683-000	1 inch WC		75	140	155	155	155	155	155	155	155							
			2.5 mBAR		2.01	3.75	4.15	4.15	4.15	4.15	4.15	4.15	4.15	4.15						
15 inches WC 27 mBAR	10 inches WC to 1.05 PSIG 25 to 72 mBAR	655-684-000	2 inch WC		68	100	135	150	160	190	200	200								
			5 mBAR		1.82	2.68	3.62	4.02	4.29	5.09	5.36	5.36								
1 psig 69 mBAR	0.8 to 2.7 psig 55 to 186 mBAR	655-695-000	10%		40	40	85	90	100	155	160	185								
			20%		1.47	1.07	2.28	2.41	2.68	4.15	4.29	4.96								
2 psig 140 mBAR	0.8 to 2.7 psig 55 to 186 mBAR	655-695-000	10%		55	100	135	155	185	240	285	300								
			20%		1.47	2.68	3.62	4.15	4.96	6.43	7.64	8.04								
5 psig 340 mBAR	2.7 to 5 psig 186 to 340 mBAR	655-696-000	10%		50	85	105	130	145	200	260	300								
			20%		1.34	2.28	2.81	3.48	3.89	5.36	6.97	8.04								
			10%		70	120	180	240	300	400	450	500								
			20%		1.88	3.22	4.82	6.43	8.04	10.7	12.1	13.4								
			10%		68	85	135	170	200	325	400	500								
			20%		1.82	2.28	3.62	4.56	5.36	8.71	10.7	13.4								
					75	135	200	280	360	560	685	750								
					2.01	3.62	5.36	7.50	9.65	15.0	18.4	20.1								

P912 Part Matrix

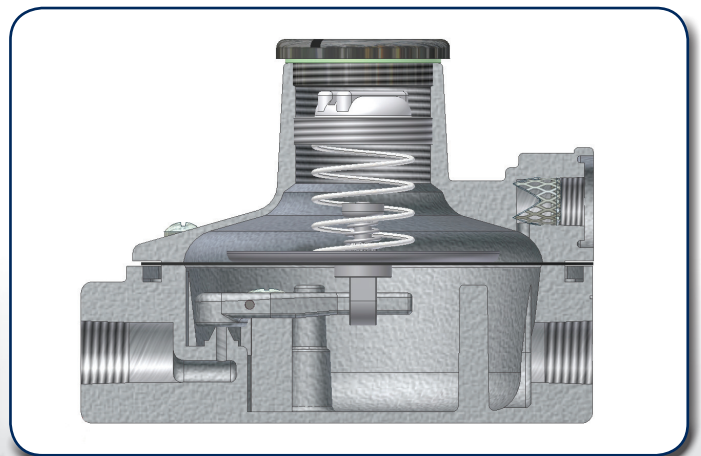
P912				1	0	0	0	0	0	0	
	↑	↑	↑	↑	↑	↑	↑	↑	↑	↑	Outlet Port Size
	02										1/4
	03										3/8
											Output Pressure
		020									3" - 7" WC
		040									5" - 10" WC
		060									9.25" - 13" WC
		080									10" WC-1.05 PSIG
		100									0.8 - 2.7 PSIG
		120									2.7 - 5 PSIG
				1	0	0	0	0	0	0	

P912 Dimensions



P912 Regulator Rebuild Kits

For Spring Ranges	Kit Includes	Part No.
3 - 7" WC & 5 - 10" WC	Arm Assembly, CRG Gasket, Monel Screen, Nitrile Diaphragm	971-912-200
9.25 - 13" WC & 10" WC - 1.05 psig	Arm Assembly, CRG Gasket, Monel Screen, Nitrile Diaphragm	971-912-100
0.8 - 2.7 psig & 2.7 - 5 psig	Arm Assembly, CRG Gasket, Monel Screen, Nitrile Diaphragm	971-912-000



P912 Parts

Item	Description	Part Number
1	Body	3/8 NPT Port, Zinc
		1/4 NPT Port, Zinc
2	Arm Assembly, Nitrile/Zinc	For 3-7" WC and 5-10" WC Only
		For All other ranges
3	Rod, Stainless Steel	646-540-000
4	Machine Screw, 5/16", plated steel (qty. 2)	648-000-417
5	Machine Screw, 3/8", plated steel (qty. 6)	648-000-418
6	Backup spring, plated steel (All Ranges Other than 2.7 - 5 PSIG)	Backup spring, plated steel (2.7 - 5.0 PSIG Range)
7	Pin, Stainless Steel	635-062-000
8	Range Spring	3-7" WC red, plated steel
		5-10" WC orange, plated steel
		9.25-13" WC cadmium, plated steel
		10" WC-1.05 PSIG, blue, plated steel
		0.8-2.7 PSIG, yellow, plated steel
9	Bonnet, Zinc	604-226-000
10	Closing Cap, Acetal	610-055-000
11	Gasket, Non-asbestos CGR 2750	624-064-000
12	Adjusting Screw, Acetal	648-000-419
13	Spring Seat, Plated Steel	650-128-000
14	Screen, Monel	647-019-000
15	Diaphragm Piston, Plated Steel	637-313-000
16	Poppet, Zinc	640-001-000
17	Diaphragm, Nitrile	(0.8 - 2.7 PSIG & 2.7 - 5.0 PSIG Ranges Only)
		(All Ranges Other than 0.8 - 2.7 PSIG & 2.7 - 5.0 PSIG)

