

# P200 Pressure Regulator

- Minimize Sudden Downstream Load Change
- Wide Pressure Ranges
- P202 has internal relief valve for overpressure protection

The P200 series pressure regulator is a manual, direct acting, self-operating, spring loaded, adjustable regulator. The P200 series is used in applications where pressure reduction is required. The regulator will reduce the risk of “shock” from abrupt changes of downstream conditions. This can help prevent safety equipment from shutting an operation down.

## Applications

- Compressors
- Gas Engines
- Service Regulators



## Materials of Construction

|                         |                                |
|-------------------------|--------------------------------|
| Adjusting Screw         | Aluminum / Zinc Plated Steel   |
| Body                    | Ductile Cast Iron or WCB Steel |
| Bonnet                  | Aluminum                       |
| Closing Cap             | Aluminum / Brass               |
| Diaphragm               | Nitrile                        |
| Lower Casing            | Aluminum                       |
| Molded Seat Assembly    | Nitrile                        |
| Orifice                 | Aluminum                       |
| Upper/Lower Spring Seat | Aluminum / Brass               |
| Flange                  | Ductile Iron / WCB Steel       |

## Specifications

|                          |                   |                  |
|--------------------------|-------------------|------------------|
| Maximum Inlet            | See Table 1       |                  |
| Maximum Emergency Outlet | 15 PSIG           |                  |
| Pressure Ranges          | See Table 2       |                  |
| Port Sizes               | 1.25 NPT          |                  |
|                          | 1.5 NPT           |                  |
|                          | 1.5 NPT x 2 NPT   |                  |
|                          | 2 NPT             |                  |
| Orifice Sizes            | 1/4"              |                  |
|                          | 3/8"              |                  |
|                          | 1/2"              |                  |
|                          | 3/4"              |                  |
|                          | 1"                |                  |
|                          | 1-3/16"           |                  |
| End Connections          | NPT               |                  |
|                          | 150 RF Flange     | Steel Units Only |
|                          | 125 FF Flange     | Iron Units Only  |
| Temperature Range        | -20°F to 180°F    |                  |
|                          | -29°C to 82°C     |                  |
| Approx. Weight           | 26 lbs. (11.8 kg) |                  |

## P200 Series Maximum Inlet Pres-

| Orifice Inches | Range                  | Maximum Inlet Pressure |       |
|----------------|------------------------|------------------------|-------|
|                |                        | PSIG                   | BAR   |
| 1/4"           | Any                    | 125                    | 8.618 |
| 3/8"           | Any                    | 125                    | 8.618 |
| 1/2"           | Any                    | 100                    | 6.894 |
| 3/4"           | Any                    | 60                     | 4.136 |
| 1"             | 2-4.5" thru 14-30" WC  | 25                     | 1.723 |
|                | 1-2 thru 4-10 PSIG     | 30                     | 2.068 |
| 1-3/16"        | 2-4.5" thru 14-30" WC  | 13                     | 0.896 |
|                | 1-2 thru 1.5-3.25 PSIG | 14                     | 0.965 |
|                | 2-5 thru 2-5.5 PSIG    | 20                     | 1.378 |
|                | 4-10 PSIG              | 25                     | 1.723 |

## P200 Series Range Springs

| Model                      | Spring Ranges   |               | Spring Color | Part Number |
|----------------------------|-----------------|---------------|--------------|-------------|
|                            | W.C. or PSI     | Bar           |              |             |
| P201 P202<br>P201S P202S   | 2 - 4.5 WC      | 0.005 - 0.011 | Brown        | 655-697-002 |
|                            | 3.5- 6.5 WC     | 0.009 -0.016  | Red          | 655-697-003 |
|                            | 5 - 9 WC        | 0.012 - 0.022 | Black        | 655-697-004 |
|                            | 6 - 14 WC       | 0.015 - 0.035 | Purple       | 655-697-011 |
|                            | 8.5 - 18 WC     | 0.021 - 0.045 | White        | 655-697-005 |
|                            | 14 - 30 WC      | 0.035 - 0.075 | Dark Green   | 655-697-006 |
| P201H P202H<br>P201S P202S | 1 - 2 PSIG      | 0.069 - 0.138 | Dark Blue    | 655-697-007 |
|                            | 1.5 - 3.25 PSIG | 0.103 - 0.224 | Orange       | 655-697-008 |
|                            | 2 - 5 PSIG      | 0.138 - 0.345 | Yellow       | 655-697-009 |
| P201K<br>P201S             | 2 - 5.5 PSIG    | 0.138 - 0.379 | Green        | 655-659-003 |
|                            | 4 - 10 PSIG     | 0.276 - 0.689 | Grey         | 655-697-010 |

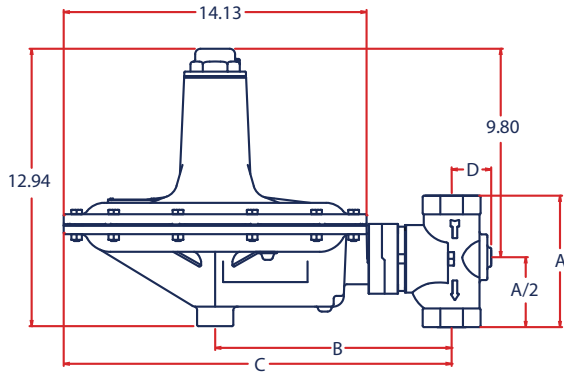
## P200 Regulator Rebuild Kits

|                   | Kit Includes  | Part Number |
|-------------------|---|-------------|
| P200 O & H Ranges | Diaphragm, disk holder assembly, cap gasket and body/ lower casing o-ring | 971-200-000 |
| P200 K Ranges     | Diaphragm, disk holder assembly, cap gasket and body/ lower casing o-ring | 971-200-001 |
| P200 All Units    | Stabilizer Kit for Downstream Dampening                                   | 971-200-004 |

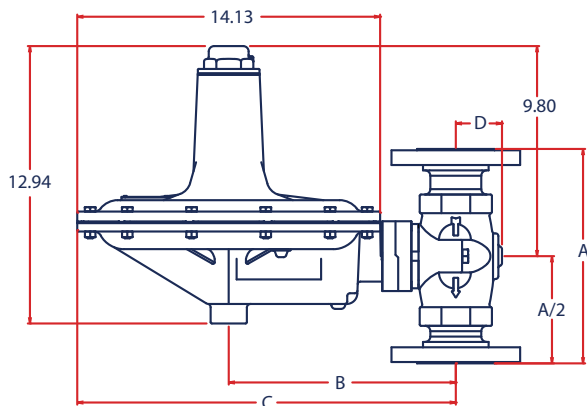
## P200 Dimensions

| Body Size | A      |     |               | B     | C     | D             |     |               |
|-----------|--------|-----|---------------|-------|-------|---------------|-----|---------------|
|           | Inches | NPT | 125 FF Flange |       |       | 150 RF Flange | NPT | 125 FF Flange |
| 1.25      | 6.13   |     |               | 11.03 | 18.09 | 1.85          |     |               |
| 1.5       | 6.13   |     | 10            | 11.03 | 18.09 | 1.85          |     | 1.85          |
| 1.5 x 2   | 6.13   |     |               | 11.03 | 18.09 | 1.85          |     |               |

### P200 Standard



### P200 Flanged



## P200 Part Matrix

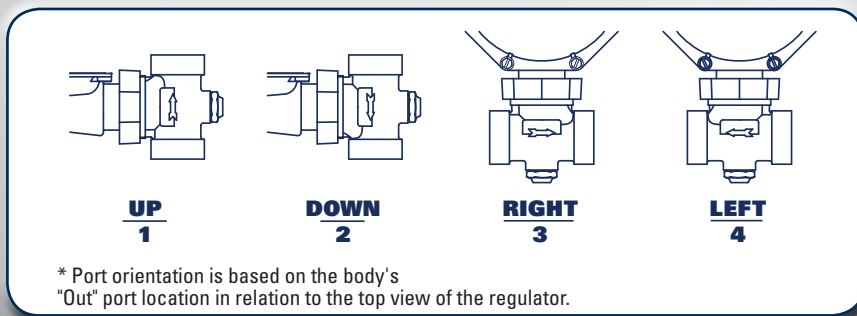
| P200       | ↑ | ↑ | ↑ | ↑ | ↑ | ↑ | ↑ | Version                         |
|------------|---|---|---|---|---|---|---|---------------------------------|
| <b>1</b>   |   |   |   |   |   |   |   | Non-Relieving                   |
| <b>2</b>   |   |   |   |   |   |   |   | Relieving                       |
|            |   |   |   |   |   |   |   | Configuration                   |
| <b>O</b>   |   |   |   |   |   |   |   | Normal                          |
| <b>H</b>   |   |   |   |   |   |   |   | High                            |
| <b>K</b>   |   |   |   |   |   |   |   | Heavy                           |
| <b>S</b>   |   |   |   |   |   |   |   | Throat Stabilizer               |
|            |   |   |   |   |   |   |   | Port Size                       |
| <b>12</b>  |   |   |   |   |   |   |   | 1.25 NPT                        |
| <b>14</b>  |   |   |   |   |   |   |   | 1.5 NPT                         |
| <b>15</b>  |   |   |   |   |   |   |   | 1.5 x 2 NPT                     |
| <b>16</b>  |   |   |   |   |   |   |   | 2 NPT                           |
|            |   |   |   |   |   |   |   | Spring Range - WC or PSI / mBAR |
| <b>004</b> |   |   |   |   |   |   |   | 2 - 4.5" WC 4.98 - 11.20        |
| <b>006</b> |   |   |   |   |   |   |   | 3.5 - 6.5" WC 8.71 - 16.19      |
| <b>009</b> |   |   |   |   |   |   |   | 5 - 9" WC 12.45 - 22.41         |
| <b>014</b> |   |   |   |   |   |   |   | 6 - 14" WC 14.94 - 34.87        |
| <b>018</b> |   |   |   |   |   |   |   | 8.5 - 18" WC 21.17 - 44.83      |
| <b>030</b> |   |   |   |   |   |   |   | 14 - 30" WC 34.87 - 74.72       |
| <b>002</b> |   |   |   |   |   |   |   | 1 - 2 PSIG 68.94 - 137.89       |
| <b>003</b> |   |   |   |   |   |   |   | 1.5 - 3.25 PSIG 103.42 - 224.07 |
| <b>005</b> |   |   |   |   |   |   |   | 2 - 5 PSIG 137.89 - 344.73      |
| <b>K05</b> |   |   |   |   |   |   |   | 2 - 5.5 PSIG 137.89 - 379.21    |
| <b>010</b> |   |   |   |   |   |   |   | 4 - 10 PSIG 275.79 - 689.47     |
|            |   |   |   |   |   |   |   | Special Construction            |
| <b>O</b>   |   |   |   |   |   |   |   | None                            |
| <b>A</b>   |   |   |   |   |   |   |   | 150 RF (1.5" & 2" Steel Only)   |
| <b>E</b>   |   |   |   |   |   |   |   | 125 FF (2" Iron Only)           |
|            |   |   |   |   |   |   |   | Orifice                         |
| <b>4</b>   |   |   |   |   |   |   |   | 1/4"                            |
| <b>6</b>   |   |   |   |   |   |   |   | 3/8"                            |
| <b>8</b>   |   |   |   |   |   |   |   | 1/2"                            |
| <b>B</b>   |   |   |   |   |   |   |   | 3/4"                            |
| <b>D</b>   |   |   |   |   |   |   |   | 1"                              |
| <b>F</b>   |   |   |   |   |   |   |   | 1-3/16"                         |
|            |   |   |   |   |   |   |   | Port Orientation                |
| <b>1</b>   |   |   |   |   |   |   |   | Up (Standard)                   |
| <b>2</b>   |   |   |   |   |   |   |   | Down                            |
| <b>3</b>   |   |   |   |   |   |   |   | Right                           |
| <b>4</b>   |   |   |   |   |   |   |   | Left                            |
|            |   |   |   |   |   |   |   | Bonnet Orientation              |
| <b>C</b>   |   |   |   |   |   |   |   | 12 O'Clock                      |
| <b>D</b>   |   |   |   |   |   |   |   | 3 O'Clock (Standard)            |
| <b>E</b>   |   |   |   |   |   |   |   | 6 O'Clock                       |
| <b>F</b>   |   |   |   |   |   |   |   | 9 O'Clock                       |
|            |   |   |   |   |   |   |   | Body Material                   |
| <b>O</b>   |   |   |   |   |   |   |   | Iron                            |
| <b>2</b>   |   |   |   |   |   |   |   | Steel                           |

## P200 Head Only

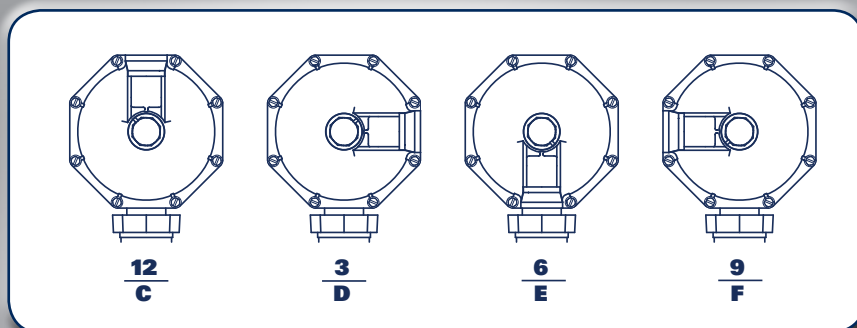
| P20        |  |  |  | 0 |                                    |
|------------|--|--|--|---|------------------------------------|
|            |  |  |  |   | Version                            |
| <b>1</b>   |  |  |  |   | Non-Relieving                      |
| <b>2</b>   |  |  |  |   | Relieving                          |
|            |  |  |  |   | Configuration                      |
| <b>0</b>   |  |  |  |   | Normal                             |
| <b>H</b>   |  |  |  |   | High                               |
| <b>K</b>   |  |  |  |   | Heavy                              |
| <b>S</b>   |  |  |  |   | Throat Stabilizer                  |
| <b>P</b>   |  |  |  |   | Spring Range - WC or PSIG / mBAR   |
| <b>004</b> |  |  |  |   | 2 - 4.5" WC    4.98 - 11.20        |
| <b>006</b> |  |  |  |   | 3.5 - 6.5" WC    8.71 - 16.19      |
| <b>009</b> |  |  |  |   | 5 - 9" WC    12.45 - 22.41         |
| <b>014</b> |  |  |  |   | 6 - 14" WC    14.94 - 34.87        |
| <b>018</b> |  |  |  |   | 8.5 - 18" WC    21.17 - 44.83      |
| <b>030</b> |  |  |  |   | 14 - 30" WC    34.87 - 74.72       |
| <b>002</b> |  |  |  |   | 1 - 2 PSIG    68.94 - 137.89       |
| <b>003</b> |  |  |  |   | 1.5 - 3.25 PSIG    103.42 - 224.07 |
| <b>005</b> |  |  |  |   | 2 - 5 PSIG    137.89 - 344.73      |
| <b>K05</b> |  |  |  |   | 2 - 5.5 PSIG    137.89 - 379.21    |
| <b>010</b> |  |  |  |   | 4 - 10 PSIG    275.79 - 689.47     |
|            |  |  |  |   | H or S Version Only                |
|            |  |  |  |   | K or S version Only                |
|            |  |  |  |   | Special Construction               |
| <b>0</b>   |  |  |  |   | None                               |
|            |  |  |  |   | Bonnet Orientation                 |
| <b>C</b>   |  |  |  |   | 12 O'Clock                         |
| <b>D</b>   |  |  |  |   | 3 O'Clock (Standard)               |
| <b>E</b>   |  |  |  |   | 6 O'Clock                          |
| <b>F</b>   |  |  |  |   | 9 O'Clock                          |
|            |  |  |  |   | Trim Material                      |
| <b>0</b>   |  |  |  |   | Nitrile                            |



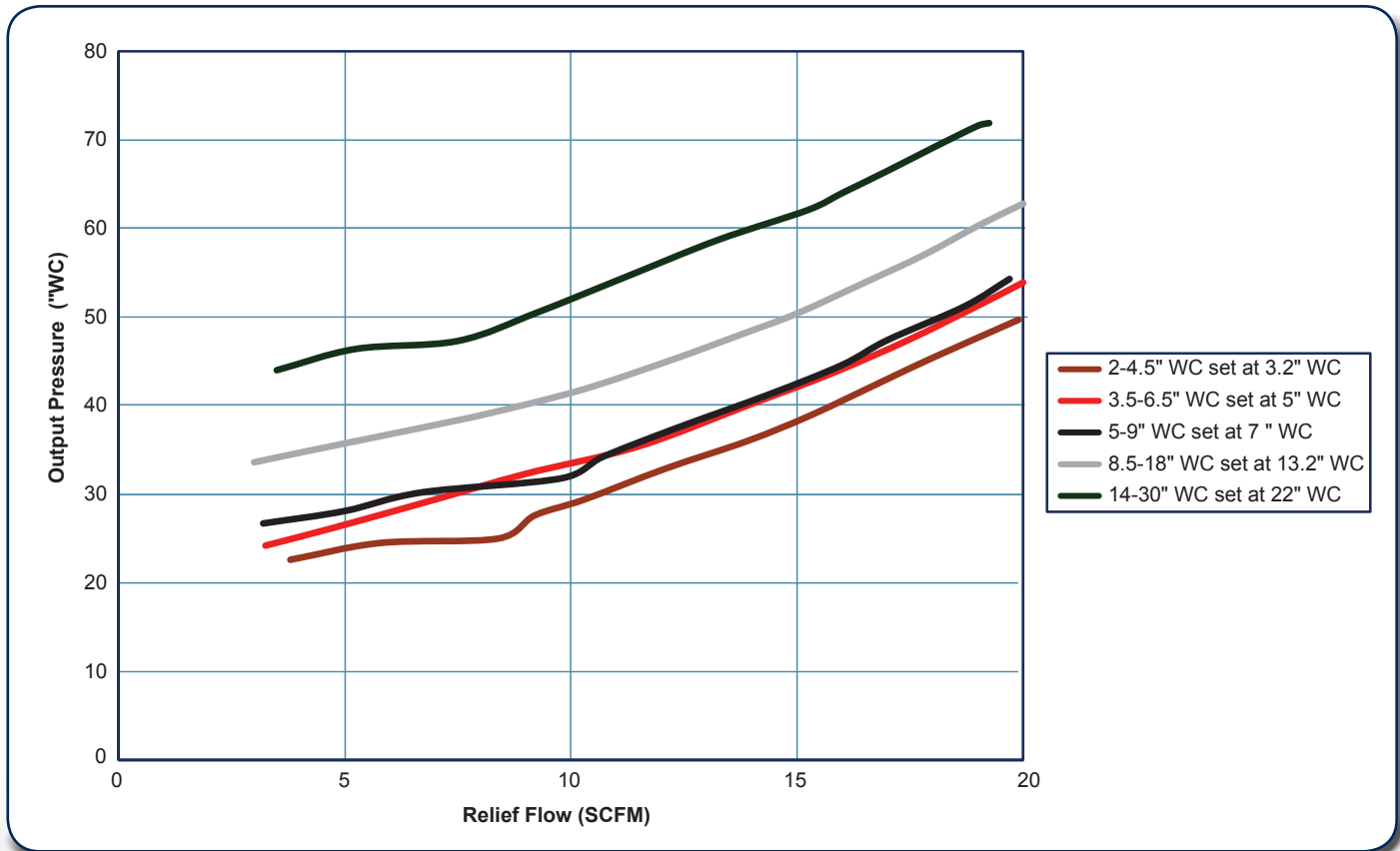
## P200 Body Orientation\*



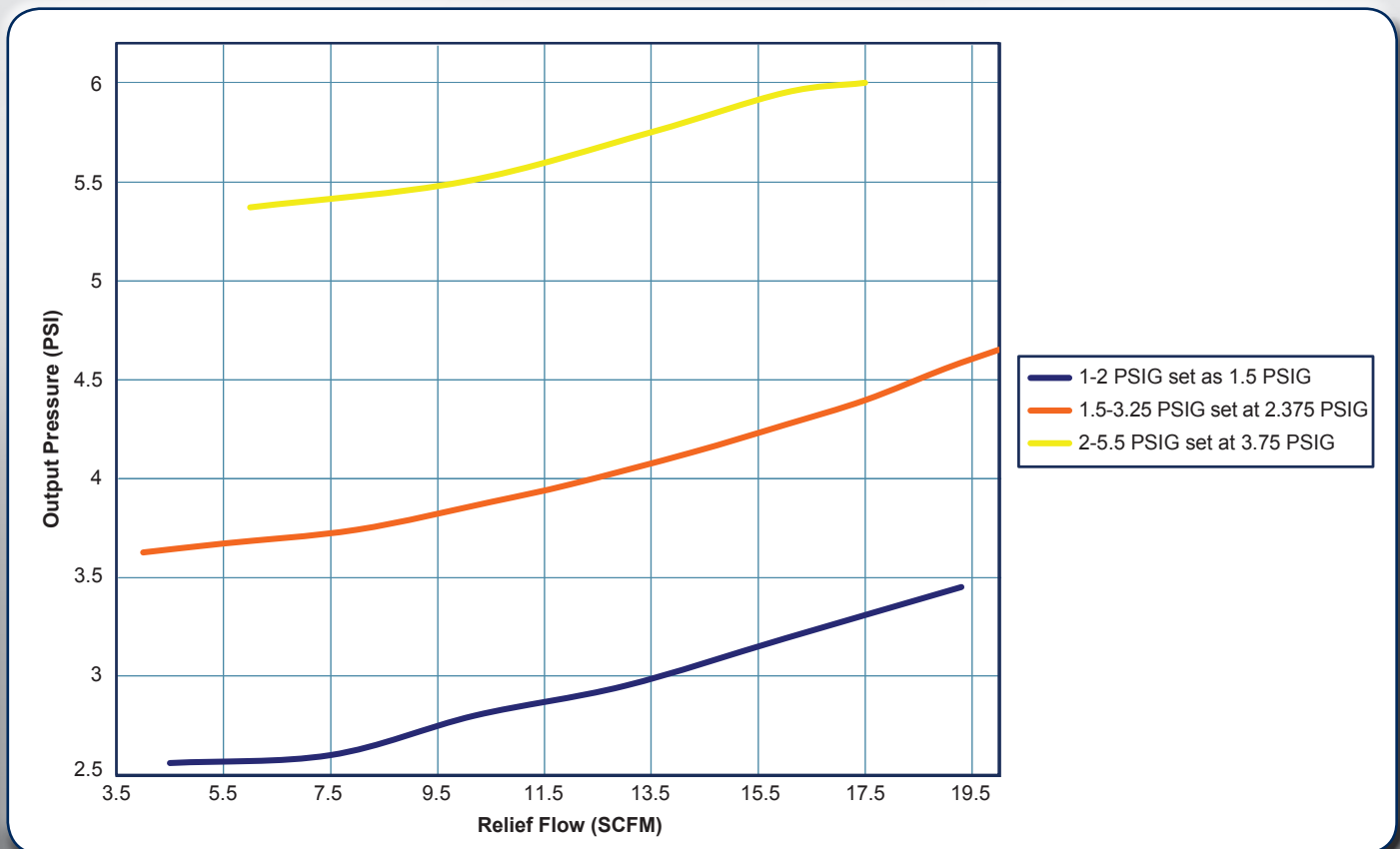
## P200 Vent Positions



## P202 Normal (0) Relief Capacities



## P202 High (H) Relief Capacities



**P200 Flow Capacities in SCFH** (Nm<sup>3</sup>/h) of 0.6 Specific Gravity Natural Gas



| Outlet Pressure, Spring Part Number, and Accuracy   | Inlet Pressure  |            | NPT 1-1/2 Body Size       |             |                           |                           |             |             |
|---|---|------------|---------------------------|-------------|---------------------------|---------------------------|-------------|-------------|
|   |   |            | Orifice Size, Inches (mm) |             |                           |                           |             |             |
|   | PSIG  | BAR        | 1/4 (6.4)                 | 3/8 (9.5)   | 1/2 (13)                  | 3/4 (19)                  | 1 (25)      | 1-3/16 (30) |
| 4 inches w.c. (10 mbar)<br>655-697-002 or 655-697-003<br>1 inch w.c. (2 mbar) droop<br>2 inches w.c. (5 mbar) boost | 0.4   | 0.028      |                           |             |                           | 1000 (26.8)               | 1400 (37.5) | 1600 (42.8) |
|   | 0.5   | 0.034      |                           |             |                           | 1400 (37.5)               | 1600 (42.8) | 1800 (48.2) |
|   | 1   | 0.07       | 400 (10.7)                | 800 (21.4)  | 1200 (32.2)               | 2100 (56.3)               | 2500 (67.0) | 2700 (72.4) |
|   | 1.5   | 0.10       | 500 (13.4)                | 1050 (28.1) | 1600 (42.9)               | 2500 (67.0)               | 3000 (80.4) | 3200 (85.8) |
|   | 2   | 0.14       | 600 (16.1)                | 1300 (34.8) | 2100 (56.3)               | 2800 (75.0)               | 3500 (93.8) | 3800 (102)  |
|   | 5   | 0.34       | 1150 (30.8)               | 2200 (58.9) | 3300 (88.4)               | 4500 (121)                | 5300 (142)  | 6000 (161)  |
|   | 13  | 0.90       | 1600 (42.8)               | 3600 (96.4) | 6200 (166)                | 7000 (188)                | 6000 (161)  | 6850 (184)  |
|   | 25  | 1.7        | 2550 (68.3)               | 5000 (134)  | 7350 (197)                | 8950 (240)                | 9000 (241)  |             |
|   | 60  | 4.1        | 4750 (127)                | 5100 (137)  | 7050 (189)                | 5600 (150) <sup>(1)</sup> |             |             |
|   | 100   | 6.9        | 6650 (186)                | 7300 (196)  | 5200 (139) <sup>(1)</sup> |                           |             |             |
| 125   | 8.6   | 6950 (1)   | 8300 (222)                |             |                           |                           |             |             |
| 7 inches w.c. (17 mbar)<br>655-697-004<br>1 inch w.c. (2 mbar) droop<br>2 inches w.c. (5 mbar) boost                | 0.4   | 0.028      |                           |             |                           | 900 (24.1)                | 1300 (34.8) | 1450 (38.9) |
|   | 0.5   | 0.034      |                           |             |                           | 1200 (32.2)               | 1550 (41.5) | 1750 (46.9) |
|   | 1   | 0.07       | 400 (10.7)                | 800 (21.4)  | 1100 (29.5)               | 1900 (50.9)               | 2300 (61.6) | 2500 (67.0) |
|   | 1.5   | 0.10       | 500 (13.4)                | 1050 (28.1) | 1500 (40.2)               | 2300 (61.6)               | 2800 (75.0) | 1800 (48.2) |
|   | 2   | 0.14       | 600 (16.1)                | 1300 (34.8) | 1900 (50.9)               | 2100 (56.3)               | 3300 (88.4) | 1800 (48.2) |
|   | 5   | 0.34       | 950 (25.5)                | 2100 (56.3) | 3200 (85.8)               | 3350 (89.8)               | 5100 (137)  | 4500 (121)  |
|   | 13  | 0.90       | 1600 (42.8)               | 2200 (58.9) | 3300 (88.4)               | 5800 (155)                | 8000 (214)  | 8000 (214)  |
|   | 25  | 1.7        | 2200 (58.9)               | 5200 (139)  | 6800 (182)                | 8400 (225)                | 8750 (235)  |             |
|   | 60  | 4.1        | 4300 (115)                | 9200 (247)  | 10100 (271)               | 9900 (265)                |             |             |
|   | 100   | 6.9        | 7500 (201)                | 10500 (281) | 9200 (247) <sup>(1)</sup> |                           |             |             |
| 125   | 8.6   | 9050 (243) | 9800 (263) <sup>(1)</sup> |             |                           |                           |             |             |
| 11 inches w.c. (27 mbar)<br>655-697-005<br>± 2 inches w.c. (5 mbar)   | 0.5   | 0.03       |                           |             |                           | 800 (21.4)                | 1500 (40.2) | 1700 (45.6) |
|   | 1   | 0.07       | 400 (10.7)                | 700 (18.7)  | 1100 (29.5)               | 1800 (48.2)               | 2200 (58.9) | 2450 (65.7) |
|   | 1.5   | 0.10       | 500 (13.4)                | 950 (25.5)  | 1450 (38.9)               | 2300 (61.6)               | 2800 (75.0) | 2600 (69.7) |
|   | 2   | 0.14       | 600 (16.1)                | 1200 (32.2) | 1700 (45.6)               | 1950 (52.3)               | 3200 (85.8) | 2750 (73.7) |
|   | 5   | 0.34       | 950 (25.5)                | 2000 (53.6) | 2900 (77.7)               | 3800 (102)                | 5100 (137)  | 5150 (138)  |
|   | 13  | 0.90       | 1600 (42.8)               | 3400 (91.1) | 3700 (99.2)               | 6100 (163)                | 7250 (194)  | 7650 (205)  |
|   | 25  | 1.7        | 2100 (56.3)               | 5150 (138)  | 7100 (190)                | 7950 (213)                | 9400 (252)  |             |
|   | 60  | 4.1        | 4400 (118)                | 9250 (248)  | 9400 (252)                | 10400 (279)               |             |             |
|   | 100   | 6.9        | 7300 (196)                | 10000 (268) | 10100 (271)               |                           |             |             |
|   | 125   | 8.6        | 9050 (243)                | 10800 (289) |                           |                           |             |             |
| 14 inches w.c. (35 mbar)<br>655-697-005<br>± 2 inches w.c. (5 mbar)   | 1   | 0.07       | 450 (12.1)                | 800 (21.4)  | 1000 (26.8)               | 1250 (33.5)               | 1500 (40.2) | 1950 (52.3) |
|   | 1.5   | 0.10       | 500 (13.4)                | 850 (22.8)  | 1050 (28.1)               | 1550 (41.5)               | 1650 (44.2) | 2350 (62.9) |
|   | 2   | 0.14       | 550 (14.7)                | 1150 (30.8) | 1400 (37.5)               | 1750 (46.9)               | 2300 (61.6) | 2500 (67.0) |
|   | 5   | 0.34       | 1000 (26.8)               | 1200 (32.2) | 2050 (54.9)               | 3000 (80.4)               | 4300 (115)  | 4750 (127)  |
|   | 13  | 0.90       | 1750 (46.9)               | 3050 (81.7) | 4250 (114)                | 6100 (163)                | 7300 (196)  | 7850 (210)  |
|   | 25  | 1.7        | 2500 (67.0)               | 4750 (127)  | 5650 (151)                | 8700 (233)                | 8700 (233)  |             |
|   | 60  | 4.1        | 4750 (127)                | 9450 (253)  | 9950 (267)                | 10550 (283)               |             |             |
|   | 100   | 6.9        | 7450 (200)                | 10400 (279) | 10600 (284)               |                           |             |             |
|   | 125   | 8.6        | 9050 (243)                | 10450 (280) |                           |                           |             |             |
|   | 20 inches w.c. (50 mbar)<br>655-697-006<br>± 3 inches w.c. (7 mbar) | 1          | 0.07                      | 300 (8.04)  | 500 (13.4)                | 750 (20.1)                | 1000 (26.8) | 1300 (34.8) |
| 2   |   | 0.14       | 500 (13.4)                | 950 (25.5)  | 1400 (37.5)               | 2000 (53.6)               | 2800 (75.0) | 3100 (83.1) |
| 5   |   | 0.34       | 900 (24.1)                | 1700 (45.6) | 2500 (67.0)               | 4200 (113)                | 5000 (134)  | 5500 (147)  |
| 13  |   | 0.90       | 1500 (40.2)               | 3200 (85.8) | 5400 (145)                | 6500 (174)                | 7000 (188)  | 7100 (190)  |
| 25  |   | 1.7        | 2100 (56.3)               | 4700 (126)  | 7000 (188)                | 8250 (221)                | 9350 (251)  |             |
| 60  |   | 4.1        | 4750 (127)                | 8900 (239)  | 9950 (267)                | 10600 (284)               |             |             |
| 100   |   | 6.9        | 7400 (198)                | 10500 (281) | 10800 (289)               |                           |             |             |
| 125   |   | 8.6        | 9200 (247)                | 10950 (293) |                           |                           |             |             |

1. Limited due to boost

- Shaded areas show where indicated droop would be exceeded regardless of capacity.
- Shaded areas show where maximum operating inlet pressure for a given port diameter is exceeded.

**P200 Flow Capacities in SCFH** (Nm<sup>3</sup>/h) of 0.6 Specific Gravity Natural Gas

| Outlet Pressure, Spring Part Number, and Accuracy   | Inlet Pressure  |            | NPT 2 (DN 50) Body Size   |                           |                            |             |                            |             |
|---|---|------------|---------------------------|---------------------------|----------------------------|-------------|----------------------------|-------------|
|   |   |            | Orifice Size, Inches (mm) |                           |                            |             |                            |             |
|   | PSIG  | BAR        | 1/4 (6.4)                 | 3/8 (9.5)                 | 1/2 (13)                   | 3/4 (19)    | 1 (25)                     | 1-3/16 (30) |
| 4 inches w.c. (10 mbar)<br>655-697-002 or 655-697-003<br>1 inch w.c. (2 mbar) droop<br>2 inches w.c. (5 mbar) boost | 0.4   | 0.028      |                           |                           |                            | 1200 (32.3) | 1600 (42.8)                | 1800 (48.2) |
|   | 0.5   | 0.034      |                           |                           |                            | 1700 (45.6) | 2200 (58.9)                | 2400 (64.3) |
|   | 1   | 0.07       | 400 (10.7)                | 900 (24.1)                | 1300 (34.8)                | 2800 (75.0) | 3200 (85.8)                | 3800 (102)  |
|   | 1.5   | 0.10       | 500 (13.4)                | 1100 (29.5)               | 1700 (45.5)                | 3600 (96.5) | 4300 (115)                 | 5000 (134)  |
|   | 2   | 0.14       | 600 (16.1)                | 1400 (37.5)               | 2200 (58.9)                | 4500 (121)  | 5500 (147)                 | 6400 (172)  |
|   | 5   | 0.34       | 1000 (26.8)               | 2300 (61.6)               | 3700 (99.2)                | 7800 (209)  | 9500 (255)                 | 12700 (340) |
|   | 13  | 0.90       | 1650 (44.2)               | 3700 (99.2)               | 6500 (174)                 | 13000 (348) | 14000 (375)                | 14500 (389) |
|   | 25  | 1.7        | 2500 (64.3)               | 5200 (139)                | 9200 (247)                 | 13000 (348) | 18000 (482)                |             |
|   | 60  | 4.1        | 4450 (119)                | 9000 (241)                | 14550 (390)                | 15000 (402) |                            |             |
|   | 100   | 6.9        | 5500 (147)                | 9500 (255)                | 12900 (346) <sup>(1)</sup> |             |                            |             |
| 125   | 8.6   | 7250 (194) | 3900 (105) <sup>(1)</sup> |                           |                            |             |                            |             |
| 7 inches w.c. (17 mbar)<br>655-697-004<br>1 inch w.c. (2 mbar) droop<br>2 inches w.c. (5 mbar) boost                | 0.4   | 0.028      |                           |                           |                            | 950 (25.5)  | 1400 (37.5)                | 1600 (42.8) |
|   | 0.5   | 0.034      |                           |                           |                            | 1500 (40.2) | 1800 (48.2)                | 2000 (53.6) |
|   | 1   | 0.07       | 400 (10.7)                | 800 (21.4)                | 1200 (32.2)                | 2300 (61.6) | 2800 (75.0)                | 3300 (88.4) |
|   | 1.5   | 0.10       | 500 (13.4)                | 1050 (28.1)               | 1600 (42.8)                | 3100 (83.1) | 3600 (96.5)                | 4500 (121)  |
|   | 2   | 0.14       | 600 (16.1)                | 1300 (34.8)               | 2000 (53.6)                | 4000 (107)  | 4500 (121)                 | 6000 (161)  |
|   | 5   | 0.34       | 1000 (26.8)               | 2100 (56.3)               | 3500 (93.8)                | 7700 (206)  | 9400 (252)                 | 9400 (252)  |
|   | 13  | 0.90       | 1650 (44.2)               | 3500 (93.8)               | 6400 (172)                 | 10000 (268) | 20200 (541)                | 21200 (568) |
|   | 25  | 1.7        | 2400 (64.3)               | 5200 (139)                | 10300 (276)                | 20000 (536) | 11800 (316) <sup>(1)</sup> |             |
|   | 60  | 4.1        | 4450 (119)                | 9000 (241)                | 12000 (322)                | 20700 (555) |                            |             |
|   | 100   | 6.9        | 7500 (201)                | 10000 (268)               | 13100 (351)                |             |                            |             |
| 125   | 8.6   | 9500 (255) | 10300 (276)               |                           |                            |             |                            |             |
| 11 inches w.c. (17 mbar)<br>655-697-005<br>± 2 inches w.c. (5 mbar)   | 0.5   | 0.03       |                           |                           |                            | 800 (21.4)  | 1500 (40.2)                | 1600 (42.8) |
|   | 1   | 0.07       | 400 (10.7)                | 750 (20.1)                | 1100 (29.5)                | 1800 (48.2) | 2500 (64.0)                | 2600 (69.7) |
|   | 1.5   | 0.10       | 500 (13.4)                | 1000 (26.8)               | 1450 (38.9)                | 2500 (67.0) | 3400 (91.1)                | 3350 (89.8) |
|   | 2   | 0.14       | 600 (16.1)                | 1200 (32.2)               | 1700 (45.6)                | 3100 (83.1) | 3600 (113)                 | 3750 (101)  |
|   | 5   | 0.34       | 1000 (26.8)               | 2000 (53.6)               | 3000 (80.4)                | 7300 (196)  | 7000 (188)                 | 8500 (228)  |
|   | 13  | 0.90       | 1600 (42.9)               | 3400 (91.1)               | 6200 (166)                 | 10350 (277) | 17650 (473)                | 18100 (485) |
|   | 25  | 1.7        | 2400 (64.3)               | 5650 (151)                | 10350 (277)                | 19300 (517) | 23450 (628)                |             |
|   | 60  | 4.1        | 4450 (119)                | 11350 (304)               | 19300 (517)                | 20200 (541) |                            |             |
|   | 100   | 6.9        | 7450 (200)                | 16650 (446)               | 20200 (541)                |             |                            |             |
|   | 125   | 8.6        | 9500 (255)                | 17500 (469)               |                            |             |                            |             |
| 14 inches w.c. (35 mbar)<br>655-697-005<br>± 2 inches w.c. (5 mbar)   | 1   | 0.07       | 450 (12.1)                | 700 (18.8)                | 1100 (29.5)                | 1500 (40.2) | 1700 (45.6)                | 2700 (72.4) |
|   | 1.5   | 0.10       | 550 (14.7)                | 850 (22.8)                | 1200 (32.3)                | 1900 (50.9) | 2700 (72.4)                | 3600 (96.5) |
|   | 2   | 0.14       | 600 (16.1)                | 1000 (26.8)               | 1900 (50.9)                | 2800 (75.0) | 3800 (102)                 | 3800 (102)  |
|   | 5   | 0.34       | 1050 (28.1)               | 1750 (46.9)               | 2800 (75.0)                | 4000 (107)  | 5300 (142)                 | 10600 (284) |
|   | 13  | 0.90       | 1750 (46.9)               | 3700 (99.2)               | 5700 (153)                 | 14400 (386) | 18000 (482)                | 18500 (496) |
|   | 25  | 1.7        | 2600 (69.7)               | 5700 (153)                | 10200 (273)                | 18000 (482) | 25400 (681)                |             |
|   | 60  | 4.1        | 4800 (129)                | 10900 (292)               | 11000 (295)                | 19600 (525) |                            |             |
|   | 100   | 6.9        | 7400 (198)                | 16500 (442)               | 14100 (378)                |             |                            |             |
|   | 125   | 8.6        | 9100 (244)                | 18000 (482)               |                            |             |                            |             |
|   | 20 inches w.c. (50 mbar)<br>655-697-006<br>± 3 inches w.c. (7 mbar) | 1          | 0.07                      | 300 (8.04)                | 750 (20.1)                 | 550 (14.7)  | 1250 (33.5)                | 1700 (45.6) |
| 2   |   | 0.14       | 500 (13.4)                | 1150 (30.8)               | 1700 (45.6)                | 1900 (50.9) | 2350 (62.9)                | 3250 (87.1) |
| 5   |   | 0.34       | 900 (24.1)                | 1650 (44.2)               | 2150 (57.6)                | 3250 (87.1) | 6400 (172)                 | 6700 (180)  |
| 13  |   | 0.90       | 1500 (40.2)               | 2550 (68.3)               | 4350 (117)                 | 5950 (159)  | 10150 (272)                | 10500 (281) |
| 25  |   | 1.7        | 2450 (65.7)               | 4850 (130)                | 7200 (193)                 | 18100 (485) | 19200 (515)                |             |
| 60  |   | 4.1        | 4900 (131)                | 9400 (252)                | 19600 (525)                | 22700 (608) |                            |             |
| 100   |   | 6.9        | 7500 (201)                | 17400 (466)               | 13800 (370)                |             |                            |             |
| 125   |   | 8.6        | 9150 (245)                | 5500 (147) <sup>(1)</sup> |                            |             |                            |             |



**P200 Flow Capacities in SCFH** (Nm<sup>3</sup>/h) of 0.6 Specific Gravity Natural Gas



| Outlet Pressure, Spring Part Number, and Accuracy                                    | Inlet Pressure |      | NPT 1-1/2 Body Size       |                            |             |             |             |             |
|--|----------------|------|---------------------------|----------------------------|-------------|-------------|-------------|-------------|
|  |                |      | Orifice Size, Inches (mm) |                            |             |             |             |             |
|  | PSIG           | BAR  | 1/4 (6.4)                 | 3/8 (9.5)                  | 1/2 (13)    | 3/4 (19)    | 1 (25)      | 1-3/16 (30) |
| 1 PSIG<br>(0.07 BAR)<br><br>655-697-006<br><br>±0.2 PSIG<br>(0.014 BAR)              | 2              | 0.14 | 700 (18.8)                | 1250 (33.5)                | 1550 (41.5) | 2900 (77.7) | 3050 (81.7) | 3250 (87.1) |
|  | 5              | 0.34 | 1050 (28.1)               | 2150 (57.6)                | 2800 (75.0) | 4800 (129)  | 5600 (150)  | 6300 (169)  |
|  | 10             | 0.69 | 1650 (44.2)               | 3200 (85.8)                | 4400 (118)  | 6550 (176)  | 7800 (209)  | 8150 (218)  |
|  | 15             | 1.0  | 2000 (53.6)               | 4100 (110)                 | 5750 (154)  | 8000 (214)  | 9400 (252)  | 10250 (275) |
|  | 20             | 1.4  | 2300 (61.6)               | 4750 (127)                 | 6100 (163)  | 8700 (233)  | 10950 (293) |             |
|  | 25             | 1.7  | 2600 (69.7)               | 5500 (147)                 | 8200 (220)  | 9950 (267)  | 11550 (310) |             |
|  | 30             | 2.1  | 2900 (77.7)               | 6250 (168)                 | 8350 (224)  | 10800 (289) | 12250 (328) |             |
|  | 40             | 2.8  | 3600 (96.5)               | 7500 (201)                 | 9350 (251)  | 10850 (291) |             |             |
|  | 45             | 3.1  | 3900 (105)                | 8400 (225)                 | 10350 (277) | 11000 (295) |             |             |
|  | 50             | 3.5  | 4250 (114)                | 8900 (239)                 | 10950 (293) | 11050 (296) |             |             |
|  | 60             | 4.1  | 4950 (133)                | 10000 (268)                | 11000 (295) | 11400 (306) |             |             |
|  | 80             | 5.5  | 6150 (165)                | 11150 (299)                | 11350 (304) |             |             |             |
|  | 100            | 6.9  | 7500 (201)                | 12000 (322)                | 12000 (322) |             |             |             |
|  | 125            | 8.6  | 9150 (245)                | 12000 (322)                |             |             |             |             |
| 1 PSIG<br>(0.07 BAR)<br><br>655-697-006<br><br>± 1% ABS<br>±0.16 psia<br>(0.011 BAR) | 2              | 0.14 | 650 (17.4)                | 1050 (28.1)                | 1350 (36.2) | 2450 (65.7) | 2700 (72.4) | 3000 (80.4) |
|  | 5              | 0.34 | 1050 (28.1)               | 2100 (56.3)                | 2700 (72.4) | 3800 (102)  | 4700 (126)  | 5200 (139)  |
|  | 10             | 0.69 | 1500 (40.2)               | 2800 (75.0)                | 3700 (99.2) | 5600 (150)  | 7000 (188)  | 7300 (196)  |
|  | 15             | 1.0  | 1950 (52.3)               | 3750 (101)                 | 4900 (131)  | 6900 (185)  | 8500 (228)  | 8750 (235)  |
|  | 20             | 1.4  | 2200 (58.9)               | 4600 (123)                 | 5800 (155)  | 8150 (218)  | 10350 (277) |             |
|  | 25             | 1.7  | 2500 (67.0)               | 5000 (134)                 | 7250 (194)  | 9050 (243)  | 10850 (291) |             |
|  | 30             | 2.1  | 2800 (75.0)               | 6000 (161)                 | 8200 (220)  | 9400 (252)  | 11000 (295) |             |
|  | 40             | 2.8  | 3550 (95.1)               | 7350 (197)                 | 9100 (244)  | 9500 (255)  |             |             |
|  | 45             | 3.1  | 3900 (105)                | 8250 (221)                 | 9650 (259)  | 10100 (271) |             |             |
|  | 50             | 3.5  | 4050 (109)                | 8450 (226)                 | 10300 (276) | 10300 (276) |             |             |
|  | 60             | 4.1  | 4800 (129)                | 9050 (243)                 | 10450 (280) | 10550 (283) |             |             |
|  | 80             | 5.5  | 5900 (158)                | 11000 (295)                | 11100 (297) |             |             |             |
|  | 100            | 6.9  | 7400 (198)                | 11150 (299)                | 11500 (299) |             |             |             |
|  | 125            | 8.6  | 9000 (241)                | 11750 (315)                |             |             |             |             |
| 1 PSIG<br>(0.07 BAR)<br><br>655-697-006<br><br>± 2% ABS<br>±0.31 psia<br>(0.021 BAR) | 2              | 0.14 | 750 (20.1)                | 1450 (38.9)                | 2100 (56.3) | 3700 (99.2) | 4650 (125)  | 5350 (143)  |
|  | 5              | 0.34 | 1250 (33.5)               | 2500 (67.0)                | 3550 (95.1) | 6050 (162)  | 7900 (212)  | 7900 (212)  |
|  | 10             | 0.69 | 1750 (46.9)               | 3450 (92.5)                | 5100 (137)  | 8550 (229)  | 9550 (256)  | 10100 (271) |
|  | 15             | 1.0  | 2050 (54.9)               | 4350 (117)                 | 6700 (180)  | 9400 (252)  | 11250 (302) | 11400 (306) |
|  | 20             | 1.4  | 2500 (67.0)               | 5150 (138)                 | 8100 (217)  | 10500 (281) | 12200 (327) |             |
|  | 25             | 1.7  | 2700 (72.4)               | 5800 (155)                 | 10100 (271) | 11550 (310) | 12600 (338) |             |
|  | 30             | 2.1  | 3050 (81.7)               | 6650 (178)                 | 10550 (283) | 12350 (331) | 13100 (351) |             |
|  | 40             | 2.8  | 3700 (99.2)               | 7950 (212)                 | 10550 (283) | 12350 (331) |             |             |
|  | 45             | 3.1  | 4100 (110)                | 8800 (236)                 | 11800 (316) | 12700 (340) |             |             |
|  | 50             | 3.5  | 4550 (122)                | 9250 (248)                 | 12000 (322) | 13000 (348) |             |             |
|  | 60             | 4.1  | 5000 (134)                | 10900 (292)                | 12600 (338) | 13000 (348) |             |             |
|  | 80             | 5.5  | 6450 (173)                | 12550 (336)                | 13000 (348) |             |             |             |
|  | 100            | 6.9  | 7950 (213)                | 12900 (346)                | 13450 (360) |             |             |             |
|  | 125            | 8.6  | 9450 (253)                | 13450 (360)                |             |             |             |             |
| 1 PSIG<br>(0.07 BAR)<br><br>655-697-006<br><br>±0.2 PSIG<br>(0.014 BAR)              | 2              | 0.14 | 500 (13.4)                | 750 (20.1)                 | 1750 (46.9) | 2250 (60.3) | 2400 (64.3) | 2850 (76.4) |
|  | 5              | 0.34 | 1100 (29.5)               | 1800 (48.2)                | 2300 (61.6) | 3400 (91.1) | 4850 (130)  | 5350 (143)  |
|  | 10             | 0.69 | 1600 (42.9)               | 3200 (85.8)                | 4600 (123)  | 7250 (194)  | 8800 (236)  | 8800 (236)  |
|  | 30             | 2.1  | 2800 (75.0)               | 6300 (169)                 | 7800 (209)  | 10400 (279) | 11250 (302) |             |
|  | 60             | 4.1  | 4900 (131)                | 9600 (257)                 | 9650 (259)  | 11000 (295) |             |             |
|  | 100            | 6.9  | 7300 (196)                | 11200 (300)                | 11950 (320) |             |             |             |
|  | 125            | 8.6  | 9100 (244)                | 10550 (283) <sup>(1)</sup> |             |             |             |             |

1. Limited due to boost

- Shaded areas show where maximum operating inlet pressure for a given port diameter is exceeded.

## P200 Flow Capacities in SCFH (Nm<sup>3</sup>/h) of 0.6 Specific Gravity Natural Gas

| Outlet Pressure, Spring Part Number, and Accuracy                                | Inlet Pressure |            | NPT 2 (DN 50) Body Size   |             |             |             |             |             |
|--|----------------|------------|---------------------------|-------------|-------------|-------------|-------------|-------------|
|  |                |            | Orifice Size, Inches (mm) |             |             |             |             |             |
|  | PSIG           | BAR        | 1/4 (6.4)                 | 3/8 (9.5)   | 1/2 (13)    | 3/4 (19)    | 1 (25)      | 1-3/16 (30) |
| 1 PSIG<br>(0.07 BAR)<br>655-697-006<br><br>±0.2 PSIG<br>(0.014 BAR)              | 2              | 0.14       | 650 (17.4)                | 1200 (32.2) | 2200 (58.9) | 3200 (85.8) | 3600 (96.5) | 4500 (121)  |
|  | 5              | 0.34       | 1100 (25.5)               | 2300 (61.6) | 3200 (85.8) | 4800 (129)  | 7700 (206)  | 10000 (268) |
|  | 10             | 0.69       | 1600 (42.9)               | 3000 (80.4) | 4300 (115)  | 11400 (306) | 15200 (407) | 16300 (437) |
|  | 15             | 1.0        | 1900 (50.9)               | 4000 (107)  | 6900 (185)  | 15600 (418) | 20800 (557) | 22300 (598) |
|  | 20             | 1.4        | 2300 (61.6)               | 4900 (131)  | 9100 (244)  | 19000 (509) | 24000 (643) |             |
|  | 25             | 1.7        | 2600 (69.7)               | 5600 (150)  | 10500 (281) | 21700 (582) | 27400 (734) |             |
|  | 30             | 2.1        | 2900 (77.7)               | 6500 (174)  | 11800 (316) | 25300 (678) | 32800 (879) |             |
|  | 40             | 2.8        | 3700 (99.2)               | 8000 (214)  | 14500 (389) | 27000 (724) |             |             |
|  | 45             | 3.1        | 4000 (107)                | 8800 (236)  | 15800 (423) | 27000 (724) |             |             |
|  | 50             | 3.5        | 4300 (115)                | 9300 (249)  | 16600 (445) | 28000 (750) |             |             |
|  | 60             | 4.1        | 4900 (131)                | 11300 (303) | 19500 (523) | 31600 (847) |             |             |
|  | 80             | 5.5        | 6300 (169)                | 14200 (381) | 24000 (643) |             |             |             |
|  | 100            | 6.9        | 7700 (206)                | 16700 (448) | 29500 (791) |             |             |             |
| 125  | 8.6            | 9600 (257) | 20200 (541)               |             |             |             |             |             |
| 1 PSIG<br>(0.07 BAR)<br>655-697-006<br><br>± 1% ABS<br>±0.16 psia<br>(0.011 BAR) | 2              | 0.14       | 570 (15.3)                | 1100 (29.5) | 2000 (53.6) | 2750 (73.7) | 3100 (83.1) | 4000 (107)  |
|  | 5              | 0.34       | 1050 (28.1)               | 2200 (58.9) | 2750 (73.7) | 4100 (110)  | 6250 (168)  | 9000 (241)  |
|  | 10             | 0.69       | 1500 (40.2)               | 2500 (67.0) | 4050 (109)  | 8500 (228)  | 13250 (355) | 13700 (367) |
|  | 15             | 1.0        | 1900 (50.9)               | 3450 (92.5) | 5800 (155)  | 15500 (415) | 16000 (429) | 16300 (437) |
|  | 20             | 1.4        | 2300 (61.6)               | 4800 (129)  | 7700 (206)  | 18300 (490) | 20850 (559) |             |
|  | 25             | 1.7        | 2500 (67.0)               | 5600 (150)  | 10400 (279) | 21500 (576) | 22800 (611) |             |
|  | 30             | 2.1        | 2900 (77.7)               | 6350 (170)  | 11950 (320) | 23800 (638) | 24300 (651) |             |
|  | 40             | 2.8        | 3650 (97.8)               | 7850 (210)  | 14550 (390) | 24300 (651) |             |             |
|  | 45             | 3.1        | 3850 (103)                | 8400 (225)  | 15600 (418) | 25400 (681) |             |             |
|  | 50             | 3.5        | 4250 (114)                | 9350 (251)  | 16700 (448) | 26000 (697) |             |             |
|  | 60             | 4.1        | 4900 (131)                | 11200 (300) | 19400 (520) | 32000 (858) |             |             |
|  | 80             | 5.5        | 6200 (166)                | 14250 (382) | 24600 (659) |             |             |             |
|  | 100            | 6.9        | 7400 (198)                | 16750 (449) | 29000 (777) |             |             |             |
| 125  | 8.6            | 9350 (251) | 20200 (541)               |             |             |             |             |             |
| 1 PSIG<br>(0.07 BAR)<br>655-697-006<br><br>± 2% ABS<br>±0.31 psia<br>(0.021 BAR) | 2              | 0.14       | 700 (18.8)                | 1450 (38.9) | 2450 (65.7) | 4100 (110)  | 5600 (150)  | 7900 (212)  |
|  | 5              | 0.34       | 1150 (30.8)               | 2550 (68.3) | 4000 (107)  | 8000 (214)  | 11700 (314) | 14300 (383) |
|  | 10             | 0.69       | 1800 (48.2)               | 3550 (95.1) | 6200 (166)  | 12300 (330) | 18400 (493) | 20000 (536) |
|  | 15             | 1.0        | 2050 (54.9)               | 4450 (119)  | 7850 (210)  | 15900 (426) | 22000 (590) | 24600 (659) |
|  | 20             | 1.4        | 2400 (64.3)               | 5250 (141)  | 9100 (244)  | 19200 (515) | 25800 (691) |             |
|  | 25             | 1.7        | 2750 (73.7)               | 5900 (158)  | 10300 (276) | 21800 (584) | 31200 (836) |             |
|  | 30             | 2.1        | 3150 (84.4)               | 6550 (176)  | 11800 (316) | 26200 (702) | 35000 (938) |             |
|  | 40             | 2.8        | 3750 (101)                | 8200 (220)  | 14300 (383) | 30500 (817) |             |             |
|  | 45             | 3.1        | 4050 (109)                | 8800 (236)  | 15600 (418) | 28100 (753) |             |             |
|  | 50             | 3.5        | 4400 (118)                | 9300 (249)  | 16700 (448) | 33900 (909) |             |             |
|  | 60             | 4.1        | 5050 (135)                | 10850 (291) | 19500 (523) | 34200 (917) |             |             |
|  | 80             | 5.5        | 6350 (170)                | 13600 (364) | 24600 (659) |             |             |             |
|  | 100            | 6.9        | 7850 (210)                | 17000 (456) | 30200 (809) |             |             |             |
| 125  | 8.6            | 9400 (252) | 20500 (549)               |             |             |             |             |             |
| 1 PSIG<br>(0.07 BAR)<br>655-697-006<br><br>±0.2 PSIG<br>(0.014 BAR)              | 2              | 0.14       | 500 (13.4)                | 1050 (28.1) | 1400 (37.5) | 2200 (58.9) | 2900 (77.7) | 3700 (99.2) |
|  | 5              | 0.34       | 1100 (29.5)               | 2000 (53.6) | 2200 (58.9) | 4500 (121)  | 6600 (177)  | 7000 (188)  |
|  | 10             | 0.69       | 1600 (42.9)               | 3500 (93.8) | 5700 (153)  | 9700 (260)  | 13000 (348) | 13300 (356) |
|  | 30             | 2.1        | 2800 (75.0)               | 6200 (166)  | 11700 (314) | 20000 (536) | 23000 (616) |             |
|  | 60             | 4.1        | 4900 (131)                | 10900 (292) | 19300 (517) | 20600 (552) |             |             |
|  | 100            | 6.9        | 7500 (201)                | 17300 (464) | 23900 (641) |             |             |             |
|  | 125            | 8.6        | 9000 (241)                | 19900 (533) |             |             |             |             |

1. Limited due to boost

 - Shaded areas show where maximum operating inlet pressure for a given port diameter is exceeded.



**P200 H Flow Capacities in SCFH** (Nm<sup>3</sup>/h) of 0.6 Specific Gravity Natural Gas



| Outlet Pressure, Spring Part Number, and Accuracy                            | Inlet Pressure |      | NPT 1-1/2 Body Size       |                |                |             |             |             |
|--|----------------|------|---------------------------|----------------|----------------|-------------|-------------|-------------|
|  |                |      | Orifice Size, Inches (mm) |                |                |             |             |             |
|  | PSIG           | BAR  | 1/4 (6.4)                 | 3/8 (9.5)      | 1/2 (13)       | 3/4 (19)    | 1 (25)      | 1-3/16 (30) |
| 2 PSIG<br>(0.14 BAR)<br>655-697-007<br>±0.2 PSIG<br>(0.014 BAR)              | 5              | 0.34 | 850 (22.8)                | 1600 (42.9)    | 1650 (44.2)    | 2400 (64.3) | 2450 (65.7) | 3900 (105)  |
|  | 10             | 0.69 | 1450 (38.9)               | 2050 (54.9)    | 3250 (87.1)    | 5400 (145)  | 5750 (154)  | 6650 (178)  |
|  | 15             | 1.0  | 1650 (44.2)               | 3000 (80.4)    | 4300 (115)     | 7000 (188)  | 8200 (220)  | 8200 (220)  |
|  | 20             | 1.4  | 2050 (54.9)               | 3850 (103)     | 5650 (151)     | 7500 (201)  | 9050 (243)  |             |
|  | 25             | 1.7  | 2500 (67.0)               | 4600 (123)     | 6500 (174)     | 9600 (257)  | 9700 (260)  |             |
|  | 30             | 2.1  | 2750 (73.7)               | 5650 (151)     | 6500 (174)     | 9600 (257)  | 10850 (291) |             |
|  | 40             | 2.8  | 3500 (93.8)               | 7000 (188)     | 8400 (225)     | 10150 (272) |             |             |
|  | 45             | 3.1  | 3750 (101)                | 7800 (209)     | 9150 (245)     | 10500 (281) |             |             |
|  | 50             | 3.5  | 4250 (114)                | 8500 (228)     | 9600 (257)     | 10500 (281) |             |             |
|  | 60             | 4.1  | 4850 (130)                | 8800 (236)     | 9700 (260)     | 11400 (306) |             |             |
|  | 80             | 5.5  | 6150 (165)                | 10000 (268)    | 11250 (302)    |             |             |             |
|  | 100            | 6.9  | 7600 (204)                | 10800 (289)    | 11250 (302)    |             |             |             |
|  | 125            | 8.6  | 9300 (249)                | 12200 (327)    |                |             |             |             |
| 2 PSIG<br>(0.14 BAR)<br>655-697-007<br>± 1% ABS<br>±0.04 psia<br>(0.028 BAR) | 5              | 0.34 | 1100 (29.5)               | 2200 (58.9)    | 2800 (75.0)    | 4550 (122)  | 5600 (150)  | 6550 (176)  |
|  | 10             | 0.69 | 1750 (46.9)               | 3150 (84.4)    | 4600 (123)     | 7550 (202)  | 9050 (243)  | 10150 (272) |
|  | 15             | 1.0  | 2000 (53.6)               | 4200 (113)     | 6400 (172)     | 10050 (269) | 11000 (295) | 11200 (300) |
|  | 20             | 1.4  | 2400 (64.3)               | 5000 (134)     | 7550 (202)     | 11700 (314) | 12200 (327) |             |
|  | 25             | 1.7  | 2700 (72.4)               | 5750 (154)     | 9600 (257)     | 11900 (319) | 12950 (347) |             |
|  | 30             | 2.1  | 3100 (83.1)               | 6700 (180)     | 9600 (257)     | 11900 (319) | 13300 (356) |             |
|  | 40             | 2.8  | 3750 (101)                | 7950 (213)     | 10750 (288)    | 13000 (348) |             |             |
|  | 45             | 3.1  | 4100 (110)                | 8750 (235)     | 10750 (288)    | 13000 (348) |             |             |
|  | 50             | 3.5  | 4550 (122)                | 9550 (256)     | 12700 (340)    | 13000 (348) |             |             |
|  | 60             | 4.1  | 5150 (138)                | 11250 (302)    | 13300 (356)    | 14400 (386) |             |             |
|  | 80             | 5.5  | 6450 (173)                | 12750 (342)    | 13300 (356)    |             |             |             |
|  | 100            | 6.9  | 7750 (208)                | 14450 (387)    | 13300 (356)    |             |             |             |
|  | 125            | 8.6  | 9400 (252)                | 14600 (391)    |                |             |             |             |
| 2 PSIG<br>(0.14 BAR)<br>655-697-007<br>± 1% ABS<br>±0.17 psia<br>(0.012 BAR) | 5              | 0.34 | 850 (22.8)                | 1400 (37.5)    | 1450 (38.9)    | 2250 (60.3) | 2450 (65.7) | 3300 (88.4) |
|  | 10             | 0.69 | 1400 (37.5)               | 1650 (44.2)    | 2550 (68.3)    | 4350 (117)  | 5250 (141)  | 5600 (150)  |
|  | 15             | 1.0  | 1500 (40.2)               | 2700 (72.4)    | 3800 (102)     | 6000 (161)  | 5400 (145)  | 8000 (214)  |
|  | 20             | 1.4  | 2000 (53.6)               | 3600 (96.5)    | 5200 (139)     | 7200 (193)  | 8200 (220)  |             |
|  | 25             | 1.7  | 2400 (64.3)               | 4500 (121)     | 6400 (172)     | 9000 (241)  | 9550 (256)  |             |
|  | 30             | 2.1  | 2800 (75.0)               | 5600 (150)     | 7500 (201)     | 10000 (268) | 10400 (279) |             |
|  | 40             | 2.8  | 3600 (96.5)               | 7800 (209)     | 9200 (247)     | 10150 (272) |             |             |
|  | 45             | 3.1  | 3900 (105)                | 8400 (225)     | 9800 (263)     | 10900 (292) |             |             |
|  | 50             | 3.5  | 4300 (115)                | 9100 (244)     | 10300 (276)    | 10600 (284) |             |             |
|  | 60             | 4.1  | 5000 (134)                | 10200 (273)    | 11400 (306)    | 11300 (303) |             |             |
|  | 80             | 5.5  | 6400 (172)                | 12000 (322)    | 10300 (276)(1) |             |             |             |
|  | 100            | 6.9  | 7900 (212)                | 13000 (348)    | 11150 (299)(1) |             |             |             |
|  | 125            | 8.6  | 9600 (257)                | 11950 (320)(1) |                |             |             |             |
| 2 PSIG<br>(0.14 BAR)<br>655-697-007<br>± 2% ABS<br>±0.33 psia<br>(0.023 BAR) | 5              | 0.34 | 1050 (28.1)               | 2100 (56.3)    | 2500 (67.0)    | 4100 (110)  | 5200 (139)  | 6250 (168)  |
|  | 10             | 0.69 | 1650 (44.2)               | 3050 (81.7)    | 4200 (113)     | 6400 (172)  | 8350 (224)  | 8850 (237)  |
|  | 15             | 1.0  | 1900 (50.9)               | 4200 (113)     | 6200 (166)     | 8800 (236)  | 10500 (281) | 10750 (288) |
|  | 20             | 1.4  | 2200 (58.9)               | 5100 (137)     | 7600 (204)     | 10300 (276) | 12000 (322) |             |
|  | 25             | 1.7  | 2500 (67.0)               | 5800 (155)     | 8700 (233)     | 11800 (316) | 12050 (323) |             |
|  | 30             | 2.1  | 3000 (80.4)               | 6500 (174)     | 9600 (257)     | 12600 (338) | 12700 (340) |             |
|  | 40             | 2.8  | 3600 (96.5)               | 8100 (217)     | 11500 (308)    | 12700 (340) |             |             |
|  | 45             | 3.1  | 3900 (105)                | 8800 (236)     | 12000 (322)    | 12800 (343) |             |             |
|  | 50             | 3.5  | 4300 (115)                | 9700 (260)     | 12600 (338)    | 12900 (346) |             |             |
|  | 60             | 4.1  | 5000 (134)                | 11300 (303)    | 13600 (364)    | 13700 (367) |             |             |
|  | 80             | 5.5  | 6400 (172)                | 14200 (381)    | 12650 (339)    |             |             |             |
|  | 100            | 6.9  | 7900 (212)                | 15500 (415)    | 12950 (347)    |             |             |             |
|  | 125            | 8.6  | 9600 (257)                | 14200 (381)(1) |                |             |             |             |

1. Limited due to boost

- Shaded areas show where maximum operating inlet pressure for a given port diameter is exceeded.

## P200 H Flow Capacities in SCFH (Nm<sup>3</sup>/h) of 0.6 Specific Gravity Natural Gas

| Outlet Pressure, Spring Part Number, and Accuracy                                | Inlet Pressure |      | NPT 2 (DN 50) Body Size   |             |             |                            |             |             |
|--|----------------|------|---------------------------|-------------|-------------|----------------------------|-------------|-------------|
|  |                |      | Orifice Size, Inches (mm) |             |             |                            |             |             |
|  | PSIG           | BAR  | 1/4 (6.4)                 | 3/8 (9.5)   | 1/2 (13)    | 3/4 (19)                   | 1 (25)      | 1-3/16 (30) |
| 2 PSIG<br>(0.14 BAR)<br>655-697-007<br><br>±0.2 PSIG<br>(0.014 BAR)              | 5              | 0.34 | 850 (22.8)                | 1800 (48.2) | 1800 (48.2) | 2950 (79.1)                | 4250 (114)  | 5200 (139)  |
|  | 10             | 0.69 | 1350 (36.2)               | 1900 (50.9) | 3000 (80.4) | 5200 (139)                 | 6600 (177)  | 7800 (209)  |
|  | 15             | 1.0  | 1700 (45.6)               | 2800 (75.0) | 3700 (99.2) | 6900 (185)                 | 7200 (193)  | 9500 (255)  |
|  | 20             | 1.4  | 2000 (53.6)               | 3800 (102)  | 5300 (142)  | 9000 (241)                 | 9800 (263)  |             |
|  | 25             | 1.7  | 2450 (65.7)               | 4500 (121)  | 6800 (182)  | 12500 (335)                | 14200 (381) |             |
|  | 30             | 2.1  | 2650 (71.0)               | 5200 (139)  | 7500 (201)  | 16000 (429)                | 16100 (431) |             |
|  | 40             | 2.8  | 3400 (91.1)               | 7400 (198)  | 13200 (354) | 21600 (579)                |             |             |
|  | 45             | 3.1  | 3600 (96.1)               | 8000 (214)  | 15500 (415) | 21600 (579)                |             |             |
|  | 50             | 3.5  | 4000 (107)                | 8500 (228)  | 16700 (448) | 21900 (587)                |             |             |
|  | 60             | 4.1  | 4600 (123)                | 10700 (287) | 19200 (515) | 18800 (504) <sup>(1)</sup> |             |             |
|  | 80             | 5.5  | 5800 (155)                | 13100 (351) | 24800 (665) |                            |             |             |
|  | 100            | 6.9  | 7100 (190)                | 16200 (434) | 25600 (686) |                            |             |             |
|  | 125            | 8.6  | 9000 (241)                | 19900 (533) |             |                            |             |             |
| 2 PSIG<br>(0.14 BAR)<br>655-697-007<br><br>±0.4 PSIG<br>(0.028 BAR)              | 5              | 0.34 | 1100 (29.5)               | 2250 (60.3) | 3200 (85.8) | 5500 (147)                 | 7800 (209)  | 10100 (271) |
|  | 10             | 0.69 | 1600 (42.9)               | 3250 (87.1) | 5400 (145)  | 10000 (268)                | 14100 (378) | 15100 (405) |
|  | 15             | 1.0  | 2000 (53.6)               | 4150 (111)  | 7200 (193)  | 14400 (386)                | 18600 (498) | 22100 (592) |
|  | 20             | 1.4  | 2300 (61.6)               | 4950 (133)  | 9000 (241)  | 17500 (469)                | 24000 (643) |             |
|  | 25             | 1.7  | 2650 (71.0)               | 5800 (155)  | 10200 (273) | 20700 (555)                | 28000 (750) |             |
|  | 30             | 2.1  | 3100 (83.1)               | 6600 (177)  | 11800 (316) | 24900 (667)                | 28500 (764) |             |
|  | 40             | 2.8  | 3600 (96.5)               | 8100 (217)  | 14600 (391) | 28000 (750)                |             |             |
|  | 45             | 3.1  | 4100 (110)                | 8850 (237)  | 15800 (423) | 29000 (777)                |             |             |
|  | 50             | 3.5  | 4400 (118)                | 9850 (264)  | 17200 (461) | 29200 (783)                |             |             |
|  | 60             | 4.1  | 4900 (131)                | 11300 (303) | 19500 (523) | 29300 (785)                |             |             |
|  | 80             | 5.5  | 6400 (172)                | 14300 (383) | 24500 (657) |                            |             |             |
|  | 100            | 6.9  | 7600 (204)                | 17200 (461) | 29700 (796) |                            |             |             |
|  | 125            | 8.6  | 9400 (252)                | 20500 (549) |             |                            |             |             |
| 2 PSIG<br>(0.14 BAR)<br>655-697-007<br><br>± 1% ABS<br>±0.17 psia<br>(0.012 BAR) | 5              | 0.34 | 750 (20.1)                | 1600 (42.9) | 1600 (42.9) | 2400 (64.3)                | 3000 (80.4) | 4100 (110)  |
|  | 10             | 0.69 | 1250 (33.5)               | 1600 (42.9) | 2550 (68.3) | 4250 (114)                 | 5000 (134)  | 6100 (163)  |
|  | 15             | 1.0  | 1600 (42.9)               | 2700 (72.4) | 3800 (102)  | 5200 (139)                 | 6900 (185)  | 7600 (204)  |
|  | 20             | 1.4  | 2000 (53.6)               | 3600 (96.5) | 5200 (139)  | 6900 (185)                 | 9400 (252)  |             |
|  | 25             | 1.7  | 2450 (65.7)               | 4400 (118)  | 7500 (201)  | 9600 (257)                 | 10650 (285) |             |
|  | 30             | 2.1  | 2800 (75.0)               | 5200 (139)  | 8600 (230)  | 11800 (316)                | 16100 (431) |             |
|  | 40             | 2.8  | 3700 (99.2)               | 7500 (201)  | 12200 (327) | 16200 (434)                |             |             |
|  | 45             | 3.1  | 4100 (110)                | 8400 (225)  | 15200 (407) | 18350 (492)                |             |             |
|  | 50             | 3.5  | 4400 (118)                | 9000 (241)  | 16900 (453) | 21000 (563)                |             |             |
|  | 60             | 4.1  | 5100 (137)                | 11000 (295) | 20800 (557) | 21000 (563)                |             |             |
|  | 80             | 5.5  | 6500 (174)                | 14600 (391) | 24800 (665) |                            |             |             |
|  | 100            | 6.9  | 8000 (214)                | 18000 (482) | 29300 (785) |                            |             |             |
|  | 125            | 8.6  | 9800 (263)                | 20500 (549) |             |                            |             |             |
| 2 PSIG<br>(0.14 BAR)<br>655-697-007<br><br>± 2% ABS<br>±0.33 psia<br>(0.023 BAR) | 5              | 0.34 | 1000 (26.8)               | 2150 (57.6) | 2750 (73.7) | 5000 (134)                 | 6200 (166)  | 7900 (212)  |
|  | 10             | 0.69 | 1550 (41.5)               | 3050 (81.7) | 5000 (134)  | 8600 (230)                 | 12750 (342) | 13800 (370) |
|  | 15             | 1.0  | 1900 (50.9)               | 4200 (113)  | 7200 (193)  | 11000 (295)                | 11750 (315) | 21700 (582) |
|  | 20             | 1.4  | 2300 (61.6)               | 5100 (137)  | 9200 (247)  | 14200 (381)                | 16000 (429) |             |
|  | 25             | 1.7  | 2600 (69.7)               | 5900 (158)  | 10700 (287) | 16400 (440)                | 25400 (681) |             |
|  | 30             | 2.1  | 3000 (80.4)               | 6600 (177)  | 12100 (324) | 19700 (528)                | 27900 (748) |             |
|  | 40             | 2.8  | 3700 (99.2)               | 8200 (220)  | 12200 (327) | 27200 (729)                |             |             |
|  | 45             | 3.1  | 4100 (110)                | 9000 (241)  | 15200 (407) | 27200 (729)                |             |             |
|  | 50             | 3.5  | 4400 (118)                | 9700 (260)  | 16900 (453) | 27400 (734)                |             |             |
|  | 60             | 4.1  | 5100 (137)                | 11300 (303) | 20800 (557) | 27400 (734)                |             |             |
|  | 80             | 5.5  | 6500 (174)                | 14600 (391) | 24500 (657) |                            |             |             |
|  | 100            | 6.9  | 8000 (214)                | 18000 (482) | 29600 (793) |                            |             |             |
|  | 125            | 8.6  | 9800 (263)                | 20500 (549) |             |                            |             |             |

1. Limited due to boost

 - Shaded areas show where maximum operating inlet pressure for a given port diameter is exceeded.

**P200H Flow Capacities in SCFH** (Nm<sup>3</sup>/h) of 0.6 Specific Gravity Natural Gas



| Outlet Pressure, Spring Part Number, and Accuracy                                    | Inlet Pressure |      | NPT 1-1/2 Body Size       |                            |                            |             |                           |             |
|--|----------------|------|---------------------------|----------------------------|----------------------------|-------------|---------------------------|-------------|
|  |                |      | Orifice Size, Inches (mm) |                            |                            |             |                           |             |
|  | PSIG           | BAR  | 1/4 (6.4)                 | 3/8 (9.5)                  | 1/2 (13)                   | 3/4 (19)    | 1 (25)                    | 1-3/16 (30) |
| 3 PSIG<br>(0.21 BAR)<br><br>655-697-008<br><br>±0.3 PSIG<br>(0.021 BAR)              | 5              | 0.34 | 800 (21.4)                | 1350 (36.2)                | 1650 (44.2)                | 2500 (67.0) | 2500 (67.0)               | 3850 (103)  |
|  | 10             | 0.69 | 1200 (32.2)               | 1800 (48.2)                | 2650 (71.0)                | 4600 (123)  | 6050 (162)                | 6600 (177)  |
|  | 15             | 1.0  | 1650 (44.2)               | 2300 (61.6)                | 3750 (101)                 | 5600 (174)  | 9200 (247)                | 8200 (220)  |
|  | 20             | 1.4  | 1950 (52.3)               | 3500 (93.8)                | 5000 (134)                 | 8350 (224)  | 9200 (247)                |             |
|  | 25             | 1.7  | 2150 (57.6)               | 4400 (118)                 | 6500 (174)                 | 8150 (218)  | 10050 (269)               |             |
|  | 30             | 2.1  | 2700 (72.4)               | 5600 (150)                 | 6700 (180)                 | 10050 (269) | 11250 (302)               |             |
|  | 40             | 2.8  | 3300 (88.4)               | 6900 (185)                 | 7900 (212)                 | 10300 (275) |                           |             |
|  | 45             | 3.1  | 3550 (95.1)               | 7000 (188)                 | 8650 (232)                 | 11000 (295) |                           |             |
|  | 50             | 3.5  | 4050 (109)                | 7800 (209)                 | 9700 (260)                 | 11000 (295) |                           |             |
|  | 60             | 4.1  | 4250 (114)                | 8200 (220)                 | 9900 (265)                 | 11450 (307) |                           |             |
|  | 80             | 5.5  | 5950 (159)                | 10000 (268)                | 11600 (311)                |             |                           |             |
|  | 100            | 6.9  | 7450 (200)                | 11750 (315)                | 11900 (319)                |             |                           |             |
|  | 125            | 8.6  | 8800 (236)                | 12200 (327)                |                            |             |                           |             |
| 3 PSIG<br>(0.21 BAR)<br><br>655-697-008<br><br>±0.6 PSIG<br>(0.041 BAR)              | 5              | 0.34 | 1100 (29.5)               | 1950 (52.3)                | 2800 (75.0)                | 4250 (114)  | 5400 (145)                | 7200 (193)  |
|  | 10             | 0.69 | 1650 (44.2)               | 3100 (83.1)                | 4650 (125)                 | 7750 (208)  | 8700 (233)                | 9100 (244)  |
|  | 15             | 1.0  | 2050 (54.9)               | 4100 (110)                 | 5950 (159)                 | 9550 (256)  | 11150 (299)               | 11800 (316) |
|  | 20             | 1.4  | 2400 (64.3)               | 4900 (131)                 | 7800 (209)                 | 10650 (285) | 12350 (331)               |             |
|  | 25             | 1.7  | 2600 (69.7)               | 5750 (154)                 | 8700 (233)                 | 11950 (320) | 14050 (377)               |             |
|  | 30             | 2.1  | 3100 (83.1)               | 6550 (176)                 | 10250 (275)                | 12050 (323) | 14400 (386)               |             |
|  | 40             | 2.8  | 3150 (84.4)               | 7850 (210)                 | 11300 (303)                | 13800 (370) |                           |             |
|  | 45             | 3.1  | 4150 (111)                | 8400 (225)                 | 12450 (334)                | 14150 (379) |                           |             |
|  | 50             | 3.5  | 4400 (118)                | 9300 (249)                 | 12450 (334)                | 14150 (379) |                           |             |
|  | 60             | 4.1  | 5000 (134)                | 10700 (287)                | 13000 (348)                | 15350 (411) |                           |             |
|  | 80             | 5.5  | 6400 (172)                | 13050 (350)                | 16000 (429)                |             |                           |             |
|  | 100            | 6.9  | 7650 (205)                | 15400 (413)                | 16050 (430)                |             |                           |             |
|  | 125            | 8.6  | 9200 (247)                | 16050 (430)                |                            |             |                           |             |
| 3 PSIG<br>(0.21 BAR)<br><br>655-697-008<br><br>± 1% ABS<br>±0.18 psia<br>(0.012 BAR) | 5              | 0.34 | 500 (13.4)                | 1150 (30.8)                | 1200 (32.2)                | 1450 (38.9) | 1550 (41.5)               | 2100 (56.3) |
|  | 10             | 0.69 | 900 (24.1)                | 1350 (36.2)                | 1500 (40.2)                | 2750 (73.7) | 3200 (85.8)               | 3400 (91.1) |
|  | 15             | 1.0  | 1200 (32.2)               | 1700 (45.6)                | 2200 (58.9)                | 3900 (105)  | 4900 (131)                | 4950 (133)  |
|  | 20             | 1.4  | 1500 (40.2)               | 2100 (56.3)                | 2900 (77.7)                | 5300 (142)  | 8000 (214)                |             |
|  | 25             | 1.7  | 1900 (50.9)               | 2600 (69.7)                | 4300 (115)                 | 7400 (198)  | 9350 (251)                |             |
|  | 30             | 2.1  | 2200 (58.9)               | 3100 (83.1)                | 5100 (137)                 | 8400 (225)  | 8650 (232) <sup>(1)</sup> |             |
|  | 40             | 2.8  | 2900 (77.7)               | 4800 (129)                 | 8000 (214)                 | 8750 (235)  |                           |             |
|  | 45             | 3.1  | 3300 (88.4)               | 5800 (155)                 | 9300 (249)                 | 9900 (265)  |                           |             |
|  | 50             | 3.5  | 3700 (99.2)               | 6800 (182)                 | 10200 (273)                | 10600 (284) |                           |             |
|  | 60             | 4.1  | 4400 (118)                | 8400 (225)                 | 11600 (311)                | 10700 (287) |                           |             |
|  | 80             | 5.5  | 6300 (169)                | 10800 (289)                | 9400 (252) <sup>(1)</sup>  |             |                           |             |
|  | 100            | 6.9  | 8100 (217)                | 12100 (324)                | 11750 (315)                |             |                           |             |
|  | 125            | 8.6  | 10000 (268)               | 10750 (288) <sup>(1)</sup> |                            |             |                           |             |
| 3 PSIG<br>(0.21 BAR)<br><br>655-697-008<br><br>± 2% ABS<br>±0.35 psia<br>(0.024 BAR) | 5              | 0.34 | 900 (24.1)                | 1450 (38.9)                | 1800 (48.2)                | 3000 (80.4) | 3000 (80.4)               | 4650 (125)  |
|  | 10             | 0.69 | 1250 (33.5)               | 2050 (54.9)                | 3150 (84.4)                | 5150 (138)  | 6450 (173)                | 6650 (178)  |
|  | 15             | 1.0  | 1800 (48.2)               | 3100 (83.1)                | 4400 (118)                 | 7200 (193)  | 8700 (233)                | 8700 (233)  |
|  | 20             | 1.4  | 2200 (58.9)               | 3800 (102)                 | 6100 (163)                 | 8600 (230)  | 11000 (295)               |             |
|  | 25             | 1.7  | 2600 (69.7)               | 5000 (134)                 | 7600 (204)                 | 9700 (260)  | 11050 (296)               |             |
|  | 30             | 2.1  | 2900 (77.7)               | 5800 (155)                 | 8700 (233)                 | 11200 (300) | 11450 (3070)              |             |
|  | 40             | 2.8  | 3600 (96.5)               | 7800 (209)                 | 10800 (289)                | 11600 (311) |                           |             |
|  | 45             | 3.1  | 4000 (107)                | 8400 (225)                 | 11600 (311)                | 11600 (311) |                           |             |
|  | 50             | 3.5  | 4600 (123)                | 9400 (252)                 | 12400 (332)                | 11750 (315) |                           |             |
|  | 60             | 4.1  | 5100 (137)                | 10600 (284)                | 13800 (370)                | 13250 (355) |                           |             |
|  | 80             | 5.5  | 6500 (174)                | 12700 (340)                | 12600 (338) <sup>(1)</sup> |             |                           |             |
|  | 100            | 6.9  | 8100 (217)                | 14400 (386)                | 12550 (336) <sup>(1)</sup> |             |                           |             |
|  | 125            | 8.6  | 10000 (268)               | 12500 (335) <sup>(1)</sup> |                            |             |                           |             |

1. Limited due to boost

- Shaded areas show where maximum operating inlet pressure for a given port diameter is exceeded.

## P200H Flow Capacities in SCFH (Nm<sup>3</sup>/h) of 0.6 Specific Gravity Natural Gas

| Outlet Pressure, Spring Part Number, and Accuracy                                | Inlet Pressure |      | NPT 2 (DN 50) Body Size   |             |                            |             |             |             |
|--|----------------|------|---------------------------|-------------|----------------------------|-------------|-------------|-------------|
|  |                |      | Orifice Size, Inches (mm) |             |                            |             |             |             |
|  | PSIG           | BAR  | 1/4 (6.4)                 | 3/8 (9.5)   | 1/2 (13)                   | 3/4 (19)    | 1 (25)      | 1-3/16 (30) |
| 3 PSIG<br>(0.21 BAR)<br>655-697-008<br><br>±0.3 PSIG<br>(0.021 BAR)              | 5              | 0.34 | 750 (20.1)                | 1400 (37.5) | 1600 (42.9)                | 2400 (64.3) | 2900 (77.7) | 3500 (93.8) |
|  | 10             | 0.69 | 1200 (32.2)               | 1900 (50.9) | 2750 (73.7)                | 5000 (134)  | 6400 (171)  | 6900 (185)  |
|  | 15             | 1.0  | 1400 (37.5)               | 2000 (53.6) | 3100 (83.1)                | 5900 (158)  | 7700 (206)  | 9800 (263)  |
|  | 20             | 1.4  | 1850 (49.6)               | 3000 (80.4) | 4150 (111)                 | 7700 (206)  | 7900 (212)  |             |
|  | 25             | 1.7  | 2050 (54.9)               | 3900 (105)  | 5000 (134)                 | 9100 (244)  | 9750 (261)  |             |
|  | 30             | 2.1  | 2550 (68.3)               | 4800 (129)  | 6700 (180)                 | 10100 (271) | 17200 (461) |             |
|  | 40             | 2.8  | 3150 (84.4)               | 6250 (168)  | 8700 (233)                 | 11600 (311) |             |             |
|  | 45             | 3.1  | 3400 (91.1)               | 6750 (181)  | 9900 (265)                 | 14500 (389) |             |             |
|  | 50             | 3.5  | 3900 (105)                | 6750 (181)  | 12300 (330)                | 13900 (373) |             |             |
|  | 60             | 4.1  | 4350 (117)                | 9400 (252)  | 12700 (340)                | 18300 (490) |             |             |
|  | 80             | 5.5  | 5600 (150)                | 12700 (340) | 18800 (504)                |             |             |             |
|  | 100            | 6.9  | 7000 (188)                | 14800 (397) | 18800 (504)                |             |             |             |
|  | 125            | 8.6  | 8650 (232)                | 18800 (504) |                            |             |             |             |
| 3 PSIG<br>(0.21 BAR)<br>655-697-008<br><br>±0.6 PSIG<br>(0.041 BAR)              | 5              | 0.34 | 1100 (29.5)               | 1950 (52.3) | 2550 (68.3)                | 4700 (126)  | 6000 (161)  | 7450 (200)  |
|  | 10             | 0.69 | 1550 (41.5)               | 3000 (80.4) | 4750 (127)                 | 8600 (230)  | 12200 (327) | 15400 (413) |
|  | 15             | 1.0  | 2050 (54.9)               | 3850 (103)  | 5950 (159)                 | 12500 (338) | 16200 (434) | 20300 (544) |
|  | 20             | 1.4  | 2400 (64.3)               | 4850 (130)  | 8200 (220)                 | 17000 (456) | 21800 (584) |             |
|  | 25             | 1.7  | 2800 (75.0)               | 5750 (154)  | 9800 (263)                 | 19700 (528) | 23000 (616) |             |
|  | 30             | 2.1  | 3150 (84.4)               | 6450 (173)  | 11600 (311)                | 22500 (603) | 26500 (710) |             |
|  | 40             | 2.8  | 3650 (97.8)               | 7850 (210)  | 14300 (383)                | 26400 (708) |             |             |
|  | 45             | 3.1  | 4100 (110)                | 8900 (239)  | 15500 (415)                | 28500 (764) |             |             |
|  | 50             | 3.5  | 4350 (117)                | 9450 (253)  | 17000 (456)                | 29600 (793) |             |             |
|  | 60             | 4.1  | 5100 (137)                | 11100 (297) | 19850 (532)                | 29900 (801) |             |             |
|  | 80             | 5.5  | 6350 (170)                | 14350 (385) | 25200 (675)                |             |             |             |
|  | 100            | 6.9  | 7250 (194)                | 17250 (462) | 29400 (788)                |             |             |             |
|  | 125            | 8.6  | 9400 (252)                | 21000 (563) |                            |             |             |             |
| 3 PSIG<br>(0.21 BAR)<br>655-697-008<br><br>± 1% ABS<br>±0.18 psia<br>(0.012 BAR) | 5              | 0.34 | 650 (17.4)                | 1100 (29.3) | 790 (21.2)                 | 1500 (40.2) | 1700 (45.6) | 1750 (46.9) |
|  | 10             | 0.69 | 1000 (26.8)               | 1250 (33.5) | 1500 (40.2)                | 2500 (67.0) | 3700 (99.2) | 4300 (115)  |
|  | 15             | 1.0  | 1250 (33.5)               | 1750 (46.9) | 2000 (53.6)                | 2900 (77.7) | 3750 (101)  | 6000 (161)  |
|  | 20             | 1.4  | 1450 (38.9)               | 2400 (64.3) | 2200 (58.9)                | 4100 (110)  | 5750 (154)  |             |
|  | 25             | 1.7  | 1600 (42.8)               | 2900 (77.7) | 4000 (107)                 | 6900 (185)  | 6400 (172)  |             |
|  | 30             | 2.1  | 1950 (52.3)               | 3550 (95.1) | 4400 (118)                 | 8700 (233)  | 6700 (180)  |             |
|  | 40             | 2.8  | 2700 (72.4)               | 3850 (103)  | 5500 (147)                 | 6450 (173)  |             |             |
|  | 45             | 3.1  | 2900 (77.7)               | 5400 (145)  | 9000 (241)                 | 8000 (214)  |             |             |
|  | 50             | 3.5  | 3300 (88.4)               | 5700 (153)  | 9100 (244)                 | 7900 (212)  |             |             |
|  | 60             | 4.1  | 3900 (105)                | 7200 (193)  | 11500 (308)                | 10300 (276) |             |             |
|  | 80             | 5.5  | 5250 (141)                | 9200 (247)  | 9800 (263) <sup>(1)</sup>  |             |             |             |
|  | 100            | 6.9  | 6250 (168)                | 11300 (303) | 10900 (292) <sup>(1)</sup> |             |             |             |
|  | 125            | 8.6  | 7750 (208)                | 12650 (339) |                            |             |             |             |
| 3 PSIG<br>(0.21 BAR)<br>655-697-008<br><br>± 2% ABS<br>±0.35 psia<br>(0.024 BAR) | 5              | 0.34 | 800 (21.4)                | 1450 (38.9) | 1700 (45.6)                | 3150 (84.4) | 3250 (87.1) | 4000 (107)  |
|  | 10             | 0.69 | 1300 (34.8)               | 2150 (57.6) | 3200 (85.8)                | 5550 (149)  | 7200 (193)  | 9000 (241)  |
|  | 15             | 1.0  | 1550 (41.5)               | 2850 (76.4) | 4050 (109)                 | 6800 (182)  | 8250 (221)  | 10800 (289) |
|  | 20             | 1.4  | 1850 (49.6)               | 3300 (88.4) | 5400 (145)                 | 9300 (249)  | 10900 (292) |             |
|  | 25             | 1.7  | 2350 (62.9)               | 4650 (125)  | 6700 (180)                 | 11250 (302) | 15600 (418) |             |
|  | 30             | 2.1  | 2450 (65.7)               | 5100 (137)  | 8600 (230)                 | 12250 (328) | 17350 (465) |             |
|  | 40             | 2.8  | 3150 (84.4)               | 6950 (186)  | 11400 (306)                | 15150 (406) |             |             |
|  | 45             | 3.1  | 3400 (91.1)               | 7650 (205)  | 11900 (319)                | 18150 (486) |             |             |
|  | 50             | 3.5  | 3800 (102)                | 8500 (228)  | 14000 (375)                | 20200 (541) |             |             |
|  | 60             | 4.1  | 4300 (115)                | 9850 (264)  | 19000 (509)                | 21150 (567) |             |             |
|  | 80             | 5.5  | 5500 (147)                | 12600 (338) | 23100 (619)                |             |             |             |
|  | 100            | 6.9  | 6500 (174)                | 15500 (415) | 23650 (634)                |             |             |             |
|  | 125            | 8.6  | 8100 (217)                | 20650 (553) |                            |             |             |             |

1. Limited due to boost

 - Shaded areas show where maximum operating inlet pressure for a given port diameter is exceeded.

**P200H Flow Capacities in SCFH** (Nm<sup>3</sup>/h) of 0.6 Specific Gravity Natural Gas



| Outlet Pressure, Spring Part Number, and Accuracy                                    | Inlet Pressure |      | NPT 1-1/2 Body Size       |                            |                            |             |             |             |
|--|----------------|------|---------------------------|----------------------------|----------------------------|-------------|-------------|-------------|
|  |                |      | Orifice Size, Inches (mm) |                            |                            |             |             |             |
|  | PSIG           | BAR  | 1/4 (6.4)                 | 3/8 (9.5)                  | 1/2 (13)                   | 3/4 (19)    | 1 (25)      | 1-3/16 (30) |
| 5 PSIG<br>(0.34 BAR)<br><br>655-697-009<br><br>±0.5 PSIG<br>(0.034 BAR)              | 10             | 0.69 | 1200 (32.2)               | 1850 (49.6)                | 2300 (61.6)                | 3350 (89.8) | 4750 (127)  | 5500 (147)  |
|  | 15             | 1.0  | 1350 (36.2)               | 2450 (65.7)                | 3200 (85.8)                | 5350 (141)  | 6650 (178)  | 7550 (202)  |
|  | 20             | 1.4  | 1850 (49.6)               | 3200 (85.8)                | 3900 (105)                 | 6700 (180)  | 8600 (230)  |             |
|  | 25             | 1.7  | 2200 (58.9)               | 3600 (96.5)                | 4900 (131)                 | 8250 (221)  | 10000 (268) |             |
|  | 30             | 2.1  | 2500 (67.0)               | 5100 (137)                 | 6500 (174)                 | 8800 (236)  | 11450 (307) |             |
|  | 40             | 2.8  | 3250 (87.1)               | 6100 (163)                 | 7650 (205)                 | 10650 (285) |             |             |
|  | 45             | 3.1  | 3650 (97.8)               | 6950 (186)                 | 8500 (228)                 | 11200 (300) |             |             |
|  | 50             | 3.5  | 3850 (103)                | 7550 (202)                 | 9250 (248)                 | 12250 (328) |             |             |
|  | 60             | 4.1  | 4600 (123)                | 8550 (229)                 | 10300 (276)                | 12950 (347) |             |             |
|  | 80             | 5.5  | 5900 (158)                | 10550 (283)                | 12500 (335)                |             |             |             |
|  | 100            | 6.9  | 7250 (194)                | 12000 (322)                | 12550 (336)                |             |             |             |
|  | 125            | 8.6  | 9000 (241)                | 13300 (356)                |                            |             |             |             |
| 5 PSIG<br>(0.34 BAR)<br><br>655-697-009<br><br>±1 PSIG<br>(0.69 BAR)                 | 10             | 0.69 | 1550 (41.5)               | 2850 (76.4)                | 4050 (109)                 | 6450 (173)  | 8450 (226)  | 9800 (263)  |
|  | 15             | 1.0  | 2000 (53.6)               | 3850 (103)                 | 5800 (155)                 | 9250 (248)  | 11150 (299) | 12400 (332) |
|  | 20             | 1.4  | 2450 (65.7)               | 4750 (127)                 | 7150 (192)                 | 11400 (306) | 13250 (355) |             |
|  | 25             | 1.7  | 2800 (75.0)               | 5700 (153)                 | 8600 (230)                 | 12800 (343) | 15250 (409) |             |
|  | 30             | 2.1  | 3100 (83.1)               | 6400 (172)                 | 10050 (269)                | 13550 (363) | 16800 (450) |             |
|  | 40             | 2.8  | 3700 (99.2)               | 7850 (210)                 | 12350 (331)                | 15650 (419) |             |             |
|  | 45             | 3.1  | 4050 (109)                | 8600 (230)                 | 13000 (348)                | 15950 (427) |             |             |
|  | 50             | 3.5  | 4450 (119)                | 9400 (252)                 | 13650 (366)                | 16300 (437) |             |             |
|  | 60             | 4.1  | 5050 (135)                | 10700 (287)                | 15100 (405)                | 18200 (488) |             |             |
|  | 80             | 5.5  | 6300 (169)                | 13400 (359)                | 17650 (473)                |             |             |             |
|  | 100            | 6.9  | 7600 (204)                | 15950 (427)                | 17650 (473)                |             |             |             |
|  | 125            | 8.6  | 9200 (247)                | 17800 (477)                |                            |             |             |             |
| 5 PSIG<br>(0.34 BAR)<br><br>655-697-009<br><br>± 1% ABS<br>±0.20 psia<br>(0.014 BAR) | 10             | 0.69 | 650 (17.4)                | 900 (24.1)                 | 1050 (28.1)                | 1200 (32.2) | 1950 (52.3) | 2200 (58.9) |
|  | 15             | 1.0  | 800 (21.4)                | 1100 (29.5)                | 1500 (40.2)                | 2000 (53.6) | 2600 (69.7) | 3400 (91.1) |
|  | 20             | 1.4  | 1050 (28.1)               | 1400 (37.5)                | 2050 (54.9)                | 2800 (75.0) | 3800 (102)  |             |
|  | 25             | 1.7  | 1200 (32.2)               | 1800 (48.2)                | 2350 (62.9)                | 3800 (102)  | 4400 (118)  |             |
|  | 30             | 2.1  | 1450 (38.9)               | 2200 (58.9)                | 3000 (80.4)                | 4900 (131)  | 5250 (141)  |             |
|  | 40             | 2.8  | 1950 (52.3)               | 2950 (79.1)                | 4400 (118)                 | 5750 (154)  |             |             |
|  | 45             | 3.1  | 2200 (58.9)               | 3300 (88.4)                | 5000 (134)                 | 6550 (176)  |             |             |
|  | 50             | 3.5  | 2400 (64.3)               | 3850 (103)                 | 6200 (166)                 | 8200 (220)  |             |             |
|  | 60             | 4.1  | 2950 (79.1)               | 4800 (129)                 | 8400 (225)                 | 9250 (248)  |             |             |
|  | 80             | 5.5  | 4000 (107)                | 7400 (198)                 | 7800 (209)                 |             |             |             |
|  | 100            | 6.9  | 5300 (142)                | 10700 (287)                | 9200 (247)                 |             |             |             |
|  | 125            | 8.6  | 7200 (193)                | 6150 (165) <sup>(1)</sup>  |                            |             |             |             |
| 5 PSIG<br>(0.34 BAR)<br><br>655-697-009<br><br>± 2% ABS<br>±0.39 psia<br>(0.028 BAR) | 10             | 0.69 | 1050 (28.1)               | 1650 (44.2)                | 1950 (52.3)                | 2600 (69.7) | 3700 (99.2) | 4900 (131)  |
|  | 15             | 1.0  | 1350 (36.2)               | 2050 (54.9)                | 2900 (77.7)                | 4300 (115)  | 5600 (150)  | 6350 (170)  |
|  | 20             | 1.4  | 1750 (46.9)               | 2700 (72.4)                | 3900 (105)                 | 5800 (155)  | 7400 (198)  |             |
|  | 25             | 1.7  | 2100 (56.3)               | 3350 (89.8)                | 4850 (130)                 | 7300 (196)  | 8750 (235)  |             |
|  | 30             | 2.1  | 2400 (64.3)               | 4050 (109)                 | 5750 (154)                 | 8700 (233)  | 10150 (272) |             |
|  | 40             | 2.8  | 3200 (85.8)               | 5300 (142)                 | 8000 (214)                 | 9800 (263)  |             |             |
|  | 45             | 3.1  | 3500 (93.8)               | 6050 (162)                 | 8950 (240)                 | 10750 (288) |             |             |
|  | 50             | 3.5  | 3900 (105)                | 6800 (182)                 | 9800 (263)                 | 11000 (295) |             |             |
|  | 60             | 4.1  | 4700 (126)                | 8400 (225)                 | 11500 (308)                | 12100 (324) |             |             |
|  | 80             | 5.5  | 6150 (165)                | 11100 (297)                | 10300 (276) <sup>(1)</sup> |             |             |             |
|  | 100            | 6.9  | 7900 (212)                | 13100 (351)                | 11200 (300) <sup>(1)</sup> |             |             |             |
|  | 125            | 8.6  | 9700 (260)                | 11950 (320) <sup>(1)</sup> |                            |             |             |             |

1. Limited due to boost


- Shaded areas show where maximum operating inlet pressure for a given port diameter is exceeded.



## P200H Flow Capacities in SCFH (Nm<sup>3</sup>/h) of 0.6 Specific Gravity Natural Gas

| Outlet Pressure, Spring Part Number, and Accuracy                            | Inlet Pressure |      | NPT 2 (DN 50) Body Size   |                            |                            |             |             |             |
|--|----------------|------|---------------------------|----------------------------|----------------------------|-------------|-------------|-------------|
|  |                |      | Orifice Size, Inches (mm) |                            |                            |             |             |             |
|  | PSIG           | BAR  | 1/4 (6.4)                 | 3/8 (9.5)                  | 1/2 (13)                   | 3/4 (19)    | 1 (25)      | 1-3/16 (30) |
| 5 PSIG<br>(0.34 BAR)<br>655-697-009<br>±0.5 PSIG<br>(0.034 BAR)              | 10             | 0.69 | 1200 (32.2)               | 1700 (45.6)                | 2200 (58.9)                | 3750 (101)  | 5300 (142)  | 5800 (155)  |
|  | 15             | 1.0  | 1400 (37.5)               | 2100 (56.3)                | 2850 (76.4)                | 5500 (147)  | 6850 (184)  | 8150 (218)  |
|  | 20             | 1.4  | 1800 (48.2)               | 2850 (76.4)                | 3750 (101)                 | 7000 (188)  | 7700 (206)  |             |
|  | 25             | 1.7  | 2050 (54.9)               | 3750 (101)                 | 4550 (122)                 | 7900 (212)  | 9750 (261)  |             |
|  | 30             | 2.1  | 2500 (67.0)               | 4550 (122)                 | 5800 (155)                 | 8500 (228)  | 10750 (288) |             |
|  | 40             | 2.8  | 3150 (84.4)               | 5800 (155)                 | 6200 (166)                 | 12000 (322) |             |             |
|  | 45             | 3.1  | 3500 (93.8)               | 6200 (166)                 | 7000 (188)                 | 12850 (344) |             |             |
|  | 50             | 3.5  | 3900 (105)                | 7000 (188)                 | 7700 (206)                 | 14200 (381) |             |             |
|  | 60             | 4.1  | 4350 (117)                | 7700 (206)                 | 10950 (293)                | 16650 (446) |             |             |
|  | 80             | 5.5  | 5850 (157)                | 10950 (293)                | 13500 (362)                |             |             |             |
|  | 100            | 6.9  | 7150 (192)                | 13500 (362)                | 16400 (440)                |             |             |             |
|  | 125            | 8.6  | 8900 (239)                | 16400 (440)                |                            |             |             |             |
| 5 PSIG<br>(0.34 BAR)<br>655-697-009<br>±1 PSIG<br>(0.69 BAR)                 | 10             | 0.69 | 1500 (40.2)               | 2800 (75.0)                | 4050 (109)                 | 7350 (197)  | 9400 (252)  | 12400 (332) |
|  | 15             | 1.0  | 2050 (54.9)               | 3950 (106)                 | 5700 (153)                 | 10750 (288) | 12950 (347) | 17100 (458) |
|  | 20             | 1.4  | 2400 (64.3)               | 4750 (127)                 | 7300 (196)                 | 13550 (363) | 18450 (494) |             |
|  | 25             | 1.7  | 2750 (73.7)               | 5450 (146)                 | 9100 (244)                 | 16200 (434) | 20400 (547) |             |
|  | 30             | 2.1  | 3100 (83.1)               | 6500 (174)                 | 10500 (281)                | 19200 (515) | 24700 (662) |             |
|  | 40             | 2.8  | 3750 (101)                | 7850 (210)                 | 13700 (367)                | 25250 (677) |             |             |
|  | 45             | 3.1  | 4050 (109)                | 8550 (229)                 | 15150 (406)                | 25700 (689) |             |             |
|  | 50             | 3.5  | 4400 (118)                | 9600 (257)                 | 16650 (446)                | 27950 (749) |             |             |
|  | 60             | 4.1  | 4950 (133)                | 10850 (291)                | 19150 (513)                | 30550 (819) |             |             |
|  | 80             | 5.5  | 6450 (173)                | 14000 (375)                | 24150 (647)                |             |             |             |
|  | 100            | 6.9  | 7700 (206)                | 17000 (456)                | 29400 (788)                |             |             |             |
|  | 125            | 8.6  | 9250 (248)                | 20700 (555)                |                            |             |             |             |
| 5 PSIG<br>(0.34 BAR)<br>655-697-009<br>± 1% ABS<br>±0.20 psia<br>(0.014 BAR) | 10             | 0.69 | 500 (13.4)                | 850 (22.8)                 | 1000 (26.8)                | 1500 (40.2) | 2000 (53.6) | 2200 (58.9) |
|  | 15             | 1.0  | 750 (20.1)                | 1200 (32.2)                | 1400 (37.5)                | 1900 (50.9) | 2300 (61.6) | 2900 (77.7) |
|  | 20             | 1.4  | 1000 (26.8)               | 1550 (41.5)                | 1900 (50.9)                | 2700 (72.4) | 3000 (80.4) |             |
|  | 25             | 1.7  | 1250 (33.5)               | 1950 (52.3)                | 2300 (61.6)                | 3400 (91.1) | 3700 (99.2) |             |
|  | 30             | 2.1  | 1450 (38.9)               | 2200 (58.9)                | 2800 (75.0)                | 4100 (110)  | 4000 (107)  |             |
|  | 40             | 2.8  | 1900 (50.9)               | 3100 (83.1)                | 4000 (107)                 | 3300 (88.4) |             |             |
|  | 45             | 3.1  | 2100 (56.3)               | 3400 (91.1)                | 4400 (118)                 | 4600 (123)  |             |             |
|  | 50             | 3.5  | 2400 (64.3)               | 3800 (102)                 | 5000 (134)                 | 5300 (142)  |             |             |
|  | 60             | 4.1  | 2800 (75.0)               | 4700 (126)                 | 6600 (177)                 | 7250 (194)  |             |             |
|  | 80             | 5.5  | 3900 (105)                | 7300 (196)                 | 5050 (135) <sup>(1)</sup>  |             |             |             |
|  | 100            | 6.9  | 5000 (134)                | 9300 (249)                 | 6400 (172) <sup>(1)</sup>  |             |             |             |
|  | 125            | 8.6  | 7000 (188)                | 6000 (161) <sup>(1)</sup>  |                            |             |             |             |
| 5 PSIG<br>(0.34 BAR)<br>655-697-009<br>± 2% ABS<br>±0.39 psia<br>(0.028 BAR) | 10             | 0.69 | 1000 (26.8)               | 1400 (37.5)                | 1650 (44.2)                | 2900 (77.7) | 3500 (93.8) | 4500 (121)  |
|  | 15             | 1.0  | 1300 (34.8)               | 2100 (56.3)                | 2800 (75.0)                | 3900 (105)  | 5500 (147)  | 5850 (157)  |
|  | 20             | 1.4  | 1650 (44.2)               | 2750 (73.7)                | 3600 (96.5)                | 5300 (142)  | 7400 (198)  |             |
|  | 25             | 1.7  | 2050 (54.9)               | 3400 (91.1)                | 4400 (118)                 | 6800 (182)  | 7400 (196)  |             |
|  | 30             | 2.1  | 2400 (64.3)               | 4000 (107)                 | 5500 (147)                 | 7900 (212)  | 8350 (224)  |             |
|  | 40             | 2.8  | 3100 (83.1)               | 5400 (145)                 | 7200 (193)                 | 9300 (249)  |             |             |
|  | 45             | 3.1  | 3250 (87.1)               | 6100 (163)                 | 8300 (222)                 | 9850 (264)  |             |             |
|  | 50             | 3.5  | 3850 (103)                | 6700 (180)                 | 9400 (252)                 | 10650 (285) |             |             |
|  | 60             | 4.1  | 4450 (119)                | 8200 (220)                 | 11500 (308)                | 14550 (390) |             |             |
|  | 80             | 5.5  | 6100 (163)                | 11000 (295)                | 10850 (291) <sup>(1)</sup> |             |             |             |
|  | 100            | 6.9  | 7600 (204)                | 14000 (375)                | 11800 (316)                |             |             |             |
|  | 125            | 8.6  | 9600 (257)                | 11650 (312) <sup>(1)</sup> |                            |             |             |             |

1. Limited due to boost

 - Shaded areas show where maximum operating inlet pressure for a given port diameter is exceeded.



**P200 K Flow Capacities in SCFH** (Nm<sup>3</sup>/h) of 0.6 Specific Gravity Natural Gas



| Outlet Pressure, Spring Part Number, and Accuracy                                    | Inlet Pressure |      | NPT 1-1/2 & 2 (DN 50) Body Size |             |             |                            |             |             |
|--|----------------|------|---------------------------------|-------------|-------------|----------------------------|-------------|-------------|
|  |                |      | Orifice Size, Inches (mm)       |             |             |                            |             |             |
|  | PSIG           | BAR  | 1/4 (6.4)                       | 3/8 (9.5)   | 1/2 (13)    | 3/4 (19)                   | 1 (25)      | 1-3/16 (30) |
| 5 PSIG<br>(0.34 BAR)<br><br>655-659-003<br><br>±0.5 PSIG<br>(0.034 BAR)              | 10             | 0.69 | 500 (13.4)                      | 1000 (26.8) | 1250 (33.5) | 1900 (50.9)                | 2150 (57.6) | 2550 (68.3) |
|  | 15             | 1.0  | 550 (14.7)                      | 1300 (34.8) | 1650 (44.2) | 2650 (71.0)                | 3200 (85.8) | 4000 (107)  |
|  | 20             | 1.4  | 600 (16.1)                      | 1650 (44.2) | 1950 (52.3) | 3300 (88.4)                | 4100 (110)  | 5000 (134)  |
|  | 25             | 1.7  | 800 (21.4)                      | 1950 (52.3) | 2150 (57.6) | 3950 (106)                 | 4650 (125)  |             |
|  | 30             | 2.1  | 1600 (42.9)                     | 2150 (57.6) | 2650 (71.0) | 4500 (121)                 | 5500 (147)  |             |
|  | 40             | 2.8  | 1950 (52.3)                     | 2650 (71.0) | 2900 (77.7) | 5800 (155)                 |             |             |
|  | 45             | 3.1  | 2250 (60.3)                     | 2900 (77.7) | 3450 (92.5) | 6200 (166)                 |             |             |
|  | 50             | 3.5  | 2450 (65.7)                     | 3450 (92.5) | 3800 (102)  | 6600 (177)                 |             |             |
|  | 60             | 4.1  | 2600 (69.7)                     | 3800 (102)  | 5350 (143)  | 8700 (233)                 |             |             |
|  | 80             | 5.5  | 3700 (99.2)                     | 5350 (143)  | 5900 (158)  |                            |             |             |
|  | 100            | 6.9  | 4100 (110)                      | 5900 (158)  | 7950 (213)  |                            |             |             |
|  | 125            | 8.6  | 5450 (146)                      | 7950 (213)  |             |                            |             |             |
| 5 PSIG<br>(0.34 BAR)<br><br>655-659-003<br><br>±1 PSIG<br>(0.69 BAR)                 | 10             | 0.69 | 1150 (30.8)                     | 1700 (45.6) | 2250 (60.3) | 3400 (91.1)                | 4550 (122)  | 5650 (151)  |
|  | 15             | 1.0  | 1300 (34.8)                     | 2550 (68.3) | 3150 (84.4) | 5200 (139)                 | 6350 (170)  | 8100 (217)  |
|  | 20             | 1.4  | 1900 (50.9)                     | 2950 (79.1) | 3950 (106)  | 6000 (161)                 | 8300 (222)  | 9950 (267)  |
|  | 25             | 1.7  | 2200 (58.9)                     | 3650 (97.8) | 4850 (130)  | 7050 (189)                 | 9950 (267)  |             |
|  | 30             | 2.1  | 2650 (71.0)                     | 4000 (107)  | 5500 (147)  | 8750 (235)                 | 11750 (315) |             |
|  | 40             | 2.8  | 3100 (83.1)                     | 5000 (134)  | 6900 (185)  | 10850 (291)                |             |             |
|  | 45             | 3.1  | 3450 (92.5)                     | 5800 (155)  | 7650 (205)  | 11700 (314)                |             |             |
|  | 50             | 3.5  | 3800 (102)                      | 6450 (173)  | 8900 (239)  | 14100 (378)                |             |             |
|  | 60             | 4.1  | 4400 (118)                      | 7450 (200)  | 9800 (263)  | 14900 (399)                |             |             |
|  | 80             | 5.5  | 5950 (159)                      | 9300 (249)  | 12000 (322) |                            |             |             |
|  | 100            | 6.9  | 7000 (188)                      | 11250 (302) | 14750 (395) |                            |             |             |
|  | 125            | 8.6  | 8450 (226)                      | 13800 (370) |             |                            |             |             |
| 5 PSIG<br>(0.34 BAR)<br><br>655-659-003<br><br>± 1% ABS<br>±0.20 psia<br>(0.014 BAR) | 10             | 0.69 | 350 (9.38)                      | 400 (10.7)  | 650 (17.4)  | 800 (21.4)                 | 1050 (28.1) | 1300 (34.8) |
|  | 15             | 1.0  | 350 (9.38)                      | 750 (20.1)  | 850 (22.8)  | 1250 (33.5)                | 1550 (41.5) | 1650 (44.2) |
|  | 20             | 1.4  | 500 (13.4)                      | 900 (24.1)  | 1050 (28.1) | 1650 (44.2)                | 1800 (48.2) | 2050 (54.9) |
|  | 25             | 1.7  | 600 (16.1)                      | 1000 (26.8) | 1200 (32.2) | 1650 (44.2)                | 1950 (52.3) |             |
|  | 30             | 2.1  | 700 (18.8)                      | 1100 (29.5) | 1300 (34.8) | 1950 (52.3)                | 2550 (68.3) |             |
|  | 40             | 2.8  | 1000 (26.8)                     | 1350 (36.2) | 1350 (36.2) | 2450 (65.7)                |             |             |
|  | 45             | 3.1  | 1100 (29.5)                     | 1450 (38.9) | 1550 (41.5) | 2550 (68.3)                |             |             |
|  | 50             | 3.5  | 1150 (30.8)                     | 1600 (43.9) | 1600 (42.9) | 3050 (81.7)                |             |             |
|  | 60             | 4.1  | 1150 (30.8)                     | 1750 (46.9) | 2250 (60.3) | 2400 (64.3) <sup>(1)</sup> |             |             |
|  | 80             | 5.5  | 1600 (42.9)                     | 2350 (62.9) | 2750 (73.7) |                            |             |             |
|  | 100            | 6.9  | 1650 (44.2)                     | 2400 (64.3) | 3250 (87.1) |                            |             |             |
|  | 125            | 8.6  | 2150 (57.6)                     | 3050 (81.7) |             |                            |             |             |
| 5 PSIG<br>(0.34 BAR)<br><br>655-659-003<br><br>± 2% ABS<br>±0.39 psia<br>(0.028 BAR) | 10             | 0.69 | 450 (12.1)                      | 450 (12.1)  | 1100 (29.5) | 1500 (40.2)                | 1700 (45.6) | 2250 (60.3) |
|  | 15             | 1.0  | 450 (12.1)                      | 1150 (30.8) | 1500 (40.2) | 2150 (57.6)                | 2500 (67.0) | 3300 (88.4) |
|  | 20             | 1.4  | 550 (14.7)                      | 1400 (37.5) | 1700 (45.6) | 2800 (75.0)                | 3350 (89.8) | 3900 (105)  |
|  | 25             | 1.7  | 1250 (33.5)                     | 1650 (44.2) | 2050 (54.9) | 3050 (81.7)                | 4200 (113)  |             |
|  | 30             | 2.1  | 1350 (36.2)                     | 1850 (49.6) | 2500 (67.0) | 3750 (101)                 | 4350 (117)  |             |
|  | 40             | 2.8  | 1700 (45.6)                     | 2200 (58.9) | 2900 (77.7) | 4700 (126)                 |             |             |
|  | 45             | 3.1  | 1800 (48.2)                     | 2350 (62.9) | 3500 (93.8) | 5200 (139)                 |             |             |
|  | 50             | 3.5  | 1900 (50.9)                     | 2850 (76.4) | 3950 (103)  | 5900 (158)                 |             |             |
|  | 60             | 4.1  | 2100 (56.3)                     | 2900 (77.7) | 4300 (115)  | 6900 (185)                 |             |             |
|  | 80             | 5.5  | 3100 (83.1)                     | 4050 (109)  | 5500 (147)  |                            |             |             |
|  | 100            | 6.9  | 3400 (91.1)                     | 4800 (129)  | 6050 (162)  |                            |             |             |
|  | 125            | 8.6  | 4400 (118)                      | 5750 (154)  |             |                            |             |             |

1. Limited due to boost

- Shaded areas show where maximum operating inlet pressure for a given port diameter is exceeded.

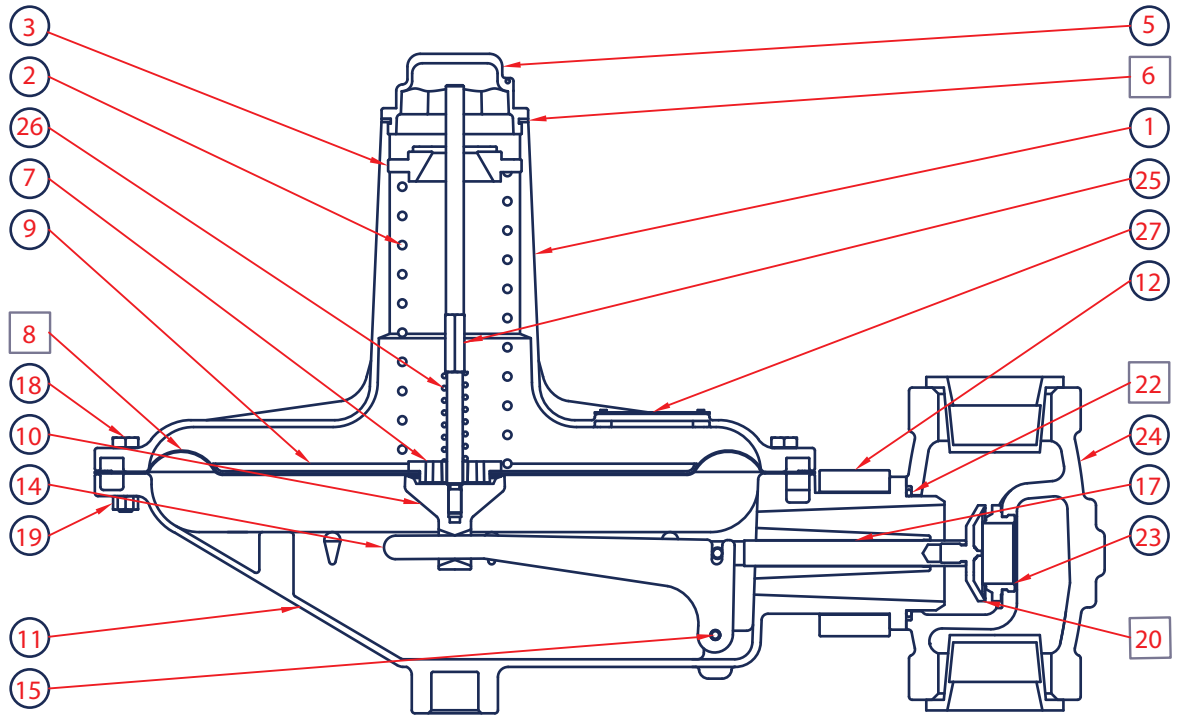
**P200 K Flow Capacities in SCFH** (Nm<sup>3</sup>/h) of 0.6 Specific Gravity Natural Gas

| Outlet Pressure, Spring Part Number, and Accuracy                                    | Inlet Pressure |      | NPT 1-1/2 & 2 (DN 50) Body Size |             |             |             |             |             |
|--|----------------|------|---------------------------------|-------------|-------------|-------------|-------------|-------------|
|  |                |      | Orifice Size, Inches (mm)       |             |             |             |             |             |
|  | PSIG           | BAR  | 1/4 (6.4)                       | 3/8 (9.5)   | 1/2 (13)    | 3/4 (19)    | 1 (25)      | 1-3/16 (30) |
| 10 PSIG<br>(0.69 BAR)<br><br>655-697-010<br><br>±1 PSIG<br>(0.69 BAR)                | 10             | 0.69 | 550 (14.7)                      | 800 (21.4)  | 1050 (28.1) | 1200 (32.2) | 1350 (36.2) | 1750 (46.9) |
|  | 15             | 1.0  | 700 (18.8)                      | 1200 (32.2) | 1650 (44.2) | 2500 (67.0) | 2950 (79.1) | 3800 (102)  |
|  | 20             | 1.4  | 800 (21.4)                      | 1650 (44.2) | 2100 (56.3) | 3150 (84.4) | 4450 (119)  | 5350 (143)  |
|  | 25             | 1.7  | 1500 (40.2)                     | 2000 (53.6) | 2750 (73.7) | 4350 (117)  | 4900 (131)  | 6500 (174)  |
|  | 30             | 2.1  | 1850 (49.6)                     | 2300 (61.6) | 3000 (80.4) | 4850 (130)  | 6200 (166)  |             |
|  | 40             | 2.8  | 2150 (57.6)                     | 3050 (81.7) | 4100 (110)  | 6400 (172)  |             |             |
|  | 45             | 3.1  | 2300 (61.6)                     | 3400 (91.1) | 4600 (123)  | 7150 (192)  |             |             |
|  | 50             | 3.5  | 2500 (67.0)                     | 3950 (106)  | 5100 (137)  | 7650 (205)  |             |             |
|  | 60             | 4.1  | 2900 (77.7)                     | 4350 (117)  | 6000 (161)  | 8550 (229)  |             |             |
|  | 80             | 5.5  | 3900 (105)                      | 5950 (159)  | 7550 (202)  |             |             |             |
|  | 100            | 6.9  | 4650 (125)                      | 6800 (182)  | 9650 (259)  |             |             |             |
|  | 125            | 8.6  | 5300 (142)                      | 8200 (220)  |             |             |             |             |
| 10 PSIG<br>(0.69 BAR)<br><br>655-697-010<br><br>±2 PSIG<br>(0.14 BAR)                | 10             | 0.69 | 950 (25.5)                      | 1600 (42.9) | 2450 (65.7) | 3550 (95.1) | 3600 (96.5) | 4250 (114)  |
|  | 15             | 1.0  | 1550 (41.5)                     | 2350 (62.9) | 2900 (77.7) | 4900 (131)  | 6450 (173)  | 7600 (204)  |
|  | 20             | 1.4  | 1900 (50.9)                     | 3000 (80.4) | 4000 (107)  | 6700 (180)  | 9000 (241)  | 10400 (279) |
|  | 25             | 1.7  | 2300 (61.6)                     | 3800 (102)  | 5250 (141)  | 8150 (218)  | 10300 (276) | 13050 (350) |
|  | 30             | 2.1  | 2750 (73.7)                     | 4750 (127)  | 6000 (161)  | 9700 (260)  | 12200 (327) |             |
|  | 40             | 2.8  | 3400 (91.1)                     | 5850 (157)  | 7550 (202)  | 12250 (328) |             |             |
|  | 45             | 3.1  | 3650 (97.8)                     | 6300 (169)  | 8800 (236)  | 13650 (366) |             |             |
|  | 50             | 3.5  | 3950 (106)                      | 7250 (194)  | 9300 (249)  | 15100 (405) |             |             |
|  | 60             | 4.1  | 4650 (125)                      | 8150 (218)  | 11000 (295) | 16650 (446) |             |             |
|  | 80             | 5.5  | 5850 (157)                      | 10750 (288) | 13750 (369) |             |             |             |
|  | 100            | 6.9  | 7250 (194)                      | 12850 (344) | 17100 (458) |             |             |             |
|  | 125            | 8.6  | 8700 (233)                      | 15750 (422) |             |             |             |             |
| 10 PSIG<br>(0.69 BAR)<br><br>655-697-010<br><br>± 1% ABS<br>±1.5 psia<br>(0.10 BAR)  | 10             | 0.69 | 300 (8.04)                      | 400 (10.7)  | 350 (9.38)  | 400 (10.7)  | 400 (10.7)  | 450 (12.1)  |
|  | 15             | 1.0  | 350 (9.38)                      | 450 (12.1)  | 650 (17.4)  | 750 (20.1)  | 850 (22.8)  | 1100 (29.5) |
|  | 20             | 1.4  | 350 (9.38)                      | 650 (17.4)  | 700 (18.8)  | 900 (24.1)  | 1350 (36.2) | 1350 (36.2) |
|  | 25             | 1.7  | 450 (12.1)                      | 800 (21.4)  | 950 (25.5)  | 1200 (32.2) | 1500 (40.2) | 1900 (50.9) |
|  | 30             | 2.1  | 700 (18.8)                      | 900 (24.1)  | 1050 (28.1) | 1200 (32.2) | 1900 (50.9) |             |
|  | 40             | 2.8  | 700 (18.8)                      | 1100 (29.5) | 1150 (30.8) | 1850 (49.6) |             |             |
|  | 45             | 3.1  | 750 (20.1)                      | 1100 (29.5) | 1300 (34.8) | 2100 (56.3) |             |             |
|  | 50             | 3.5  | 800 (21.4)                      | 1200 (32.2) | 1300 (34.8) | 2300 (61.6) |             |             |
|  | 60             | 4.1  | 850 (22.8)                      | 1300 (34.8) | 1450 (38.9) | 2300 (61.6) |             |             |
|  | 80             | 5.5  | 950 (25.5)                      | 1600 (42.9) | 1600 (42.9) |             |             |             |
|  | 100            | 6.9  | 1050 (28.1)                     | 1950 (52.3) | 2600 (69.7) |             |             |             |
|  | 125            | 8.6  | 1050 (28.1)                     | 2350 (62.9) |             |             |             |             |
| 10 PSIG<br>(0.69 BAR)<br><br>655-697-010<br><br>± 2% ABS<br>± 2.9 psia<br>(0.20 BAR) | 10             | 0.69 | 400 (10.7)                      | 500 (13.4)  | 650 (17.4)  | 900 (24.1)  | 650 (17.4)  | 900 (24.1)  |
|  | 15             | 1.0  | 450 (12.1)                      | 550 (14.7)  | 850 (22.8)  | 1300 (34.8) | 1550 (41.5) | 1850 (49.6) |
|  | 20             | 1.4  | 450 (12.1)                      | 1000 (26.8) | 1100 (29.5) | 1750 (46.9) | 2200 (58.9) | 2400 (64.3) |
|  | 25             | 1.7  | 550 (14.7)                      | 1250 (33.5) | 1600 (42.9) | 2300 (61.6) | 2700 (72.4) | 3550 (95.1) |
|  | 30             | 2.1  | 800 (21.4)                      | 1350 (36.2) | 1800 (48.2) | 2800 (75.0) | 2800 (75.0) |             |
|  | 40             | 2.8  | 1050 (28.1)                     | 1650 (44.2) | 2150 (57.6) | 3500 (93.8) |             |             |
|  | 45             | 3.1  | 1350 (36.2)                     | 1900 (50.9) | 2600 (69.7) | 3700 (99.2) |             |             |
|  | 50             | 3.5  | 1450 (38.9)                     | 2100 (56.3) | 2850 (76.4) | 4300 (115)  |             |             |
|  | 60             | 4.1  | 1600 (42.9)                     | 2300 (61.6) | 3100 (83.1) | 4400 (118)  |             |             |
|  | 80             | 5.5  | 2150 (57.6)                     | 3000 (80.4) | 4000 (107)  |             |             |             |
|  | 100            | 6.9  | 2450 (65.7)                     | 3700 (99.2) | 4950 (133)  |             |             |             |
|  | 125            | 8.6  | 2600 (69.7)                     | 4450 (119)  |             |             |             |             |

1. Limited due to boost

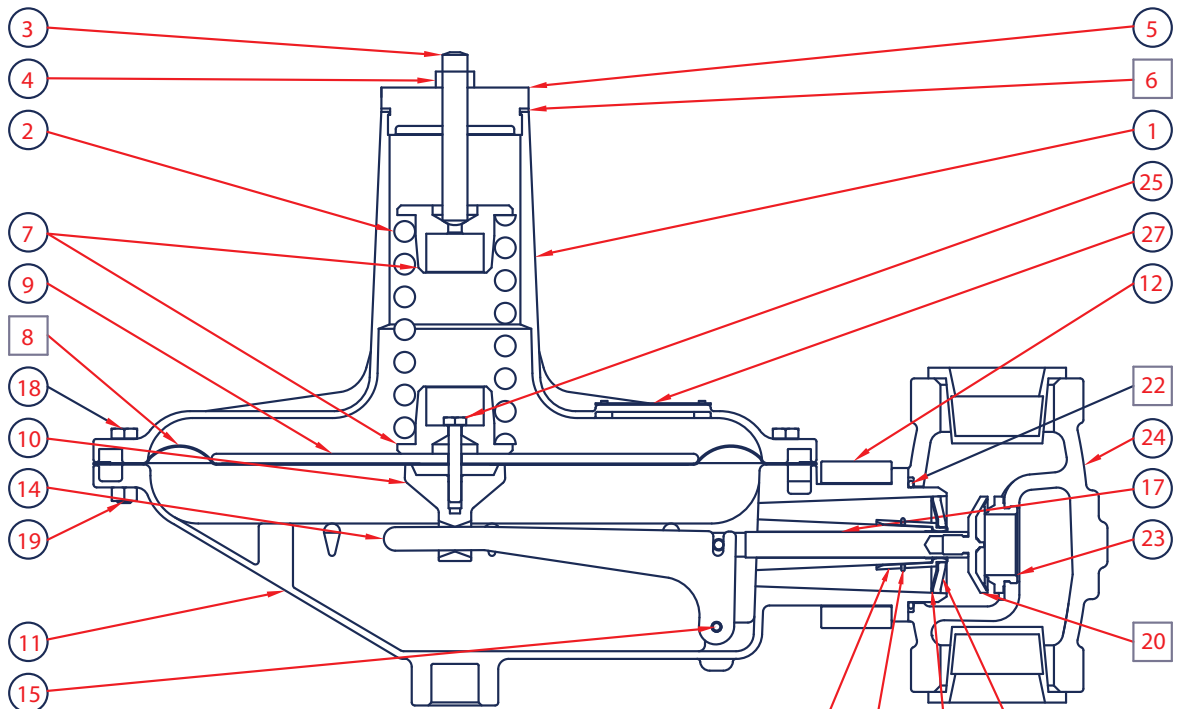
 - Shaded areas show where maximum operating inlet pressure for a given port diameter is exceeded.

**P200 O & H**



□ Parts included in P200 Low Pressure Repair Kit, 971-200-000

**P201 K**



□ Parts included in 971-200-000, T201K Repair Kit

◇ Parts included in 971-200-005, T200 Stabilizer Kit



## P200 Parts List

| Item | Description                               | Part Number    |
|------|---|----------------|
| 1    | Bonnet (All except H/ 2-5 PSI)            | 604-230-000    |
|      | Pinned Spring Case (for 655-697-009 only) | 800-132-000    |
| 2    | Range Spring                              | 1 See Table 2  |
| 3    | Adjusting Screw                           | 648-504-000    |
|      | Adjusting Screw (P201K only)              | 648-462-000    |
| 4    | Hex Nut (P201K Only)                      | 634-000-056    |
| 5    | Closing Cap                               | 610-058-000    |
|      | Closing Cap (P201K only)                  | 610-061-000    |
| 6    | Closing Cap Gasket                        | 624-068-000    |
| 7    | Upper/Lower Spring Seat                   | 650-134-000    |
|      | Upper/Lower Spring Seat (P201K only)      | 626-105-000    |
| 8    | Diaphragm, Nitrile                        | 618-072-000    |
|      | Diaphragm, (P201K only), Nitrile          | 618-089-000    |
| 9    | Diaphragm Head (P201 and P202)            | 628-277-000    |
|      | Diaphragm Head (P201H and P202H)          | 628-279-000    |
|      | Diaphragm Head (P201K only)               | 628-280-000    |
| 10   | Pusher Post (P201, P201H, P201K & P201S)  | 637-326-000    |
|      | Pusher Post (P202, P202H & P201S)         | 637-317-000    |
| 11   | Lower Casing Assembly                     | 629-219-000    |
| 12   | Union Ring                                | 644-056-000    |
| 13   | Spring Pin                                | 635-065-000    |
| 14   | Lever                                     | 730-000-000    |
| 15   | Pin                                       | 635-064-000    |
| 16   | Machine Screw                             | 2 648-503-000  |
| 17   | Valve Stem Assembly                       | 1 827-013-000  |
| 18   | Cap Screw                                 | 12 648-506-000 |
| 19   | Hex Nut                                   | 12 634-174-000 |
| 20   | Disk Holder Assembly, Nitrile             | 1 822-033-000  |
| 21   | Cap Screw                                 | 2 648-506-001  |
| 22   | O-Ring, Nitrile                           | 1 649-000-152  |
| 23   | Orifice, 1/4"                             | 688-016-000    |
|      | Orifice, 3/8"                             | 688-016-001    |
|      | Orifice, 1/2"                             | 688-016-002    |
|      | Orifice, 3/4"                             | 688-016-003    |
|      | Orifice, 1"                               | 688-016-004    |
|      | Orifice, 1-3/16"                          | 688-016-005    |
| 24   | Iron Body, 2" NPT                         | 664-309-000    |
|      | Steel Body, 2" NPT                        | 664-342-000    |
|      | Iron Body, 1.5" NPT                       | 664-345-000    |
|      | Steel Body, 1.5" NPT                      | 664-347-000    |
|      | Iron Body, 1.25" NPT                      | 664-345-001    |
|      | Steel Body, 1.25" NPT                     | 664-347-001    |
|      | Iron Body, 1.5 x 2" NPT                   | 664-349-000    |
|      | Steel Body, 1.5 x 2" NPT                  | 664-349-001    |
|      | Iron Body, 125 FF 10", 2"                 | 664-377-000    |
|      | Steel Body, 150 RF 10", 2"                | 664-378-000    |
|      | Steel Body, 150 RF 10", 1.5"              | 664-393-000    |
| 25   | Cap Screw (P201 and P201H)                | 648-506-003    |
|      | Cap Screw (P201K only)                    | 648-506-002    |
|      | Stem (P202, P202H & P201S)                | 648-505-000    |
| 26   | Relief Valve Spring (P202, 202H & P201S)  | 1 655-697-001  |
| 27   | Nameplate                                 | 1 632-526-000  |
| 28   | Flapper Stem                              | 1 661-008-000  |
| 29   | Lower Flapper                             | 1 661-009-000  |
| 30   | Upper Flapper                             | 1 661-010-000  |
| 31   | Seat Ring                                 | 1 650-136-000  |
| 32   | Self-Tapping Screw                        | 3 648-502-000  |
| 33   | Vent Port Spring                          | 2 655-697-000  |
| 34   | Screen                                    | 1 647-018-000  |
| 35   | Snap Ring                                 | 1 693-021-000  |
| 66   | Stabilizer Gasket (P201S and P202S)       | 1 624-088-000  |
| 67   | Stabilizer Frame (P201S and P202S)        | 1 704-008-000  |
| 68   | Stabilizer Snap Ring (P201S and P202S)    | 1 693-028-000  |
| 69   | Stabilizer Neck (P201S and P202S)         | 1 608-084-000  |

