

## Versa Plus Air Pressure Switches Installation Information

### ⚠ IMPORTANT ⚠

Please read these instructions carefully to assure correct installation. This equipment must be installed only by a licensed electrician who is experienced with combustion safeguard control systems and understands the functions of interlocking switches, such as gas pressure switches. Prior to being put into operation in conjunction with the combustion safeguard systems, all switches should be tested for proper range setting and proper wiring. Check piping connections and switch house for leaks with a soap bubble test. All exhaust fans and blowers should be inspected and checked for proper rotation prior to starting up.

### Versa Plus Air Pressure Switches

Versa Plus Air pressure switches by Antunes Controls monitor positive, vacuum, or differential air pressures. The integrated contacts make or break the circuit to the desired set point. The large adjustment knob provides set point indication and aids in ease of adjustment. The Versa Plus Air series can be factory adjusted for applications that require other differential settings.

### Specifications

**Electrical Ratings:** 6A @ 120 VAC, 6A @ 240 VAC, 1/8 HP, 120 & 240 VAC. Integrated S.P.D.T. contacts.

**Adjustable Operating Pressure:** 0.2 to 50 mbar  
(different ranges)

**Max. Surge Pressure:** 7 PSI (482 mbar)

**Pressure Connections:** 1/8" NPT positive & vacuum ports; 1/4" hose barb OD.

**Ambient Operating Temperature:** 5°F to 180°F  
(-15°C to 82°C)

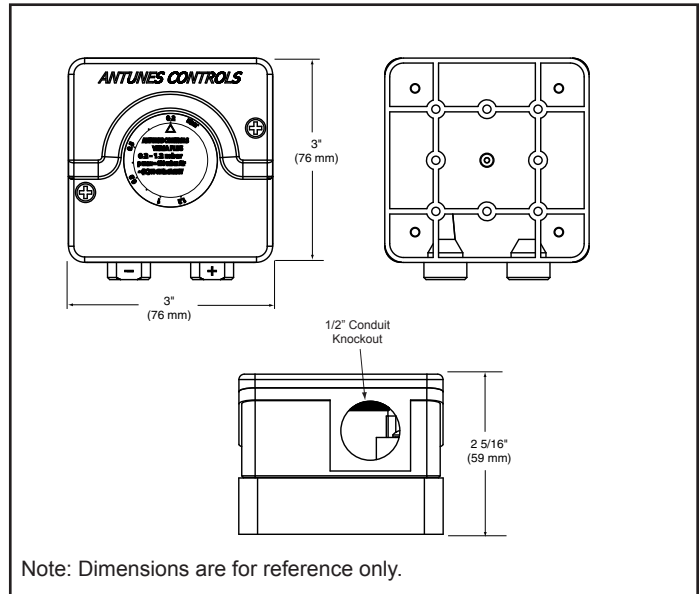
Field wiring to be rated @ 90°C (194°F) for maximum ambient

**Shipping Weight:** 0.5 lbs. (.227 kg)

#### Options:

Mounting brackets can be oriented in any of the 90° positions.

### Dimensions



### Ranges Available

Model	Part No.	W.C.	mbar
<i>NPT Switches (activate on pressure fall/vertical mount)</i>			
FAN 1.2	8281001001	.08"-.5"	0.2-1.2
FAN 010	8281002010	.5"-4"	1.2-10
<i>NPT Switches (activate on pressure rise/horizontal mount)</i>			
FAN 050	8281003050	1"-20"	2.5-50
<i>Hose Barb Switches (activate on pressure fall/vertical mount)</i>			
FAB 1.2	8291001001	.08"-.5"	0.2-1.2
FAB 010	8291002010	.5"-4"	1.2-10
<i>Hose Barb Switches (activate on pressure rise/horizontal mount)</i>			
FAB 050	8291003050	1"-20"	2.5-50

### Installation

All switches are tested at the factory in a vertical position. Mounting diaphragm in vertical position is the preferred method.

### Air Connection

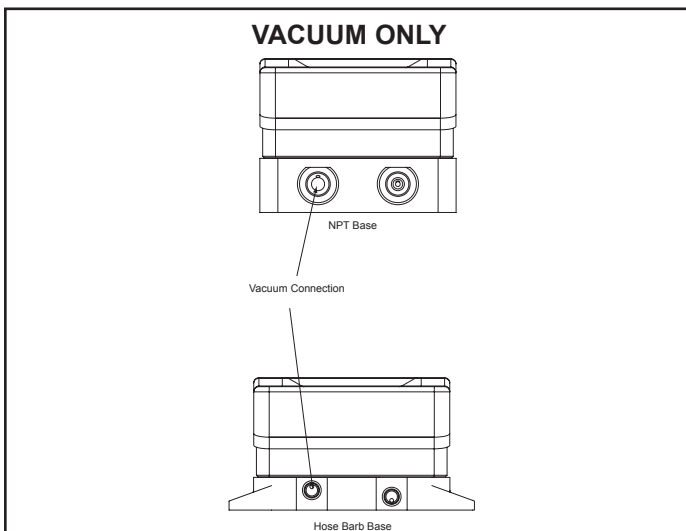
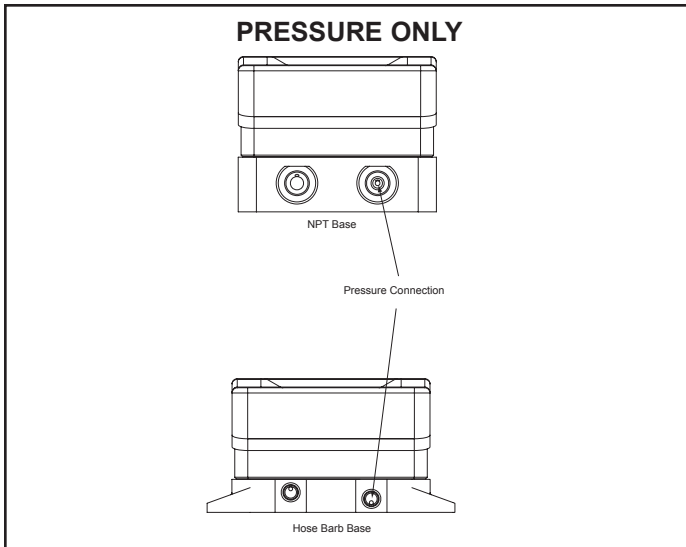
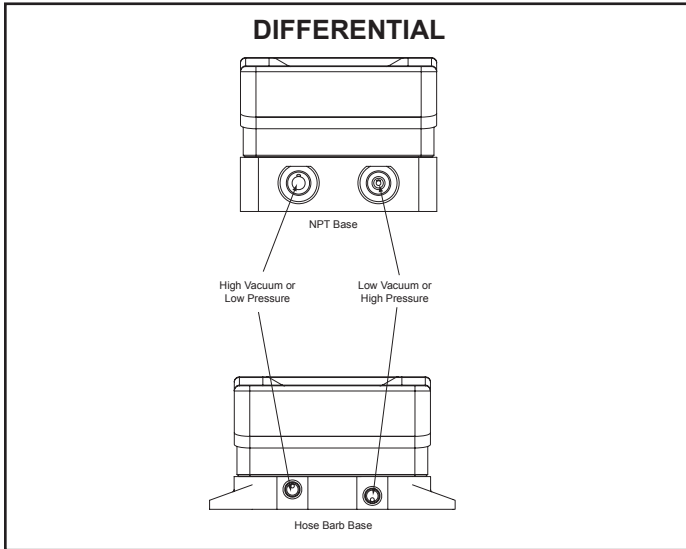
Tube recommended as minimums: 1/4" copper or aluminum tubing, or 1/8" pipe.

All tubing and pipe must be clean and free from oil, dirt, and chips. If piping runs over five feet long, use larger size tubing or pipe and reduce size at switch connection.

## Versa Plus Air Pressure Switches Installation Information

### Air Supply

Connect the switches as shown in the drawings below. Always leave unused ports open to atmosphere.



### Maintenance

No specific maintenance is required. However, it is recommended that all wiring be inspected for loose connections and damaged wires. Disconnect power to the panel before performing any maintenance. Replace any damaged wires and tighten all connections.

### Warranty

1. Antunes Controls products are guaranteed to be free from mechanical and electrical defects for a period of one year from date of shipment under normal use and service provided installation is made in accordance with manufacturers' recommendations.
2. Parts deemed defective shall be repaired or replaced at manufacturers option and at manufacturers expense but shall not include foreign or federal excise taxes, state or municipal sale or use taxes, all such taxes not limited to the foregoing being responsibility of the purchaser.
3. No charge for travel and/or mileage will be allowed to purchaser.
4. Antunes Controls reserves the right to make changes in design or make any improvements on any products. The right is always reserved to modify our equipment because of new technology, underwriter's requirements and/or government regulations.
5. The following are not covered under warranty:
  - a. Failure from neglect, abuse, careless handling and mis-application of unit.
  - b. Failure to observe guidelines for installation or improper voltage hook-up.
  - c. Failure caused by improper maintenance.
  - d. Unless specifically allowed by Antunes Controls, no other charges may be included under warranty.

**Limitation of Liability:** If it is understood and agreed that seller's liability whether in contract, in tort, under any warranty, in negligence or otherwise, shall not exceed the return of the amount of the purchase price paid by purchaser and under no circumstances shall seller be liable for special, indirect or consequential damages. The price stated for the equipment is a consideration in limiting seller's liability. No action, regardless of form, arising out of the transactions may be brought by purchaser more than one year after the cause of action has accrued.





**A.J. Antunes & Co.**  
We exist to make our customers successful.

---

**A.J. Antunes & Co.**  
Headquarters/Manufacturing  
Carol Stream, Illinois 60188 USA  
Phone: (630) 784-1000  
Toll Free: (800) 253-2991  
Fax: (630) 784-1650

**Antunes Equipment**  
Manufacturing (Suzhou) Ltd.,  
Suzhou, Jiangsu, China 215011  
Phone: 86-512-6841-3637  
Toll Free: 400-0-7878-22  
Fax: 86-512-6841-3907

[www.ajantunes.com](http://www.ajantunes.com)