

Versa Plus | Air Pressure Switches



**NPT
Base**



**Hose Barb
Base**

The Versa Plus Air is a highly accurate air pressure switch that monitors positive, vacuum, or differential air pressure. The integrated contacts make or break circuits to a desired setpoint. The omega spring design provides repeatability and accuracy. It is compact, easy to install, and available in various mounting configurations.

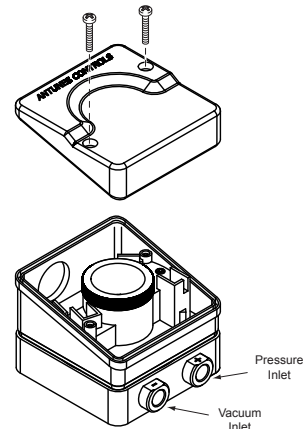
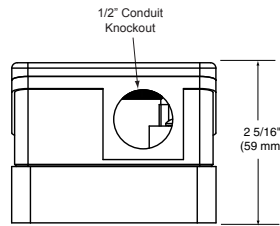
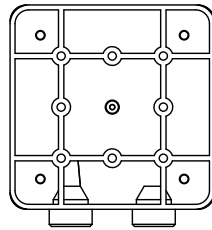
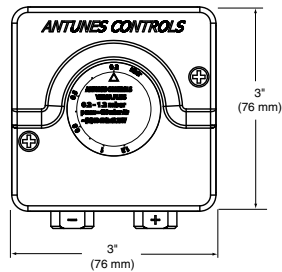
FEATURES

- Compact design.
- Accurate.
- Setpoint indication.
- Adjustable differential.
- Integrated contacts.
- Cost-effective pricing.
- Large scale ranges from 0.2–50 mbar (0.08"–20" W.C.)

Versa Plus | Air Pressure Switches

Dimensions

(NPT base shown)



NOTE: Dimensions are for reference only.

Ranges Available

| Model | Part No. | W.C. | mbar |
|--|------------|----------|---------|
| <i>NPT Switches (activate on pressure fall/vertical mount)</i> | | | |
| FAN 1.2 | 8281001001 | .08"-.5" | 0.2-1.2 |
| FAN 010 | 8281002010 | .5"-4" | 1.2-10 |
| <i>NPT Switches (activate on pressure rise/horizontal mount)</i> | | | |
| FAN 050 | 8281003050 | 1"-20" | 2.5-50 |
| <i>Hose Barb Switches (activate on pressure fall/vertical mount)</i> | | | |
| FAB 1.2 | 8291001001 | .08"-.5" | 0.2-1.2 |
| FAB 010 | 8291002010 | .5"-4" | 1.2-10 |
| <i>Hose Barb Switches (activate on pressure rise/horizontal mount)</i> | | | |
| FAB 050 | 8291003050 | 1"-20" | 2.5-50 |

Specifications

Electrical Ratings:

6A @ 120 VAC
 6A @ 240 VAC
 1/8 HP, 120 & 240 VAC
 Integrated S.P.D.T. contacts

Adjustable Operating Pressure:
 0.2 to 50 mbar (different ranges)

Max. Surge Pressure:
 7 PSI (482 mbar)

Pressure Connections:
 1/8" NPT positive & vacuum ports; 1/4" hose barb OD.

Ambient Operating Temperature:

5°F to 180°F (-15°C to 82°C)
 Field wiring to be rated @ 90°C (194°F) for maximum ambient

Shipping Weight:
 .5 lbs. (.227 kg)

Options:
 Mounting brackets can be oriented in any of the 90° positions.

Maintenance

No specific maintenance is required. However, it is recommended that all wiring be inspected for loose connections and damaged wires. Disconnect power to the panel before performing any maintenance. Replace any damaged wires and tighten all connections.

Pressure switch purchases shall be governed by the terms located at www.antunes.com/terms.

P/N 102075 Rev. G 09/16



Antunes delivers a complete range of countertop cooking equipment and water filtration solutions to foodservice operations around the world. Learn more about Antunes and its products at www.antunes.com.

U.S. Headquarters
 Carol Stream, Illinois
 Phone: (630) 784-1000
 Toll Free: (800) 253-2991
 Fax: (630) 784-1650

China Facility
 Suzhou, China
 Phone: 86-512-6841-3637
 Toll Free: 86-512-6841-3907
 Fax: 400-0-7878-22