

Versa Plus | Gas Pressure Switches



**Automatic
Reset**



**Manual
Reset**

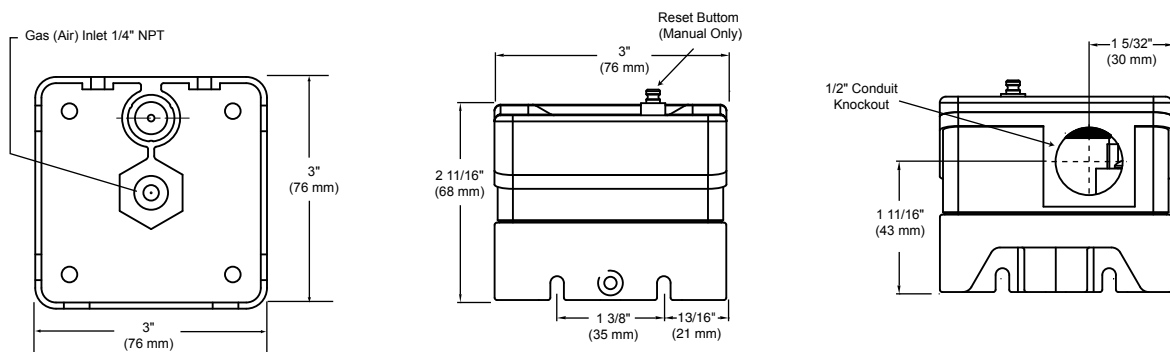
The Versa Plus gas pressure switch accurately monitors pressure and breaks the electrical control when pressure rises above or drops below the desired setpoint. It is made with a durable plastic enclosure and has a die-cast aluminum inlet base.

FEATURES

- Compact design.
- Accurate.
- Adjustable setpoints.
- Automatic or manual reset.
- Ventless.
- Cost-effective pricing.
- Custom design per OEM specifications.
- Mounts to any modular valve body.

Versa Plus | Gas Pressure Switches

Dimensions



NOTE: Dimensions are for reference only.

Low Ranges Available

Model	Part No.	W.C.	mbar
<i>Automatic Reset</i>			
FGA-L010	8261001010	0.5"–4"	1.2–10
FGA-L050	8261002050	1"–20"	2.5–50
FGA-L110	8261003110	5"–44"	12–110
<i>Manual Reset</i>			
FGM-L 010	8271001010	0.5"–4"	1.2–10
FGM-L 050	8271002050	1"–20"	2.5–50
FGM-L 075	8271003075	5"–30"	12–75
FGM-L 136	8271004136	7"–55"	17–136

High Ranges Available

Model	Part No.	W.C.	mbar
<i>Automatic Reset</i>			
FGA-H010	8261005010	0.8"–4"	2–10
FGA-H050	8261006050	2"–20"	5–50
FGA-H087	8261007087	5"–35"	12–87
<i>Manual Reset</i>			
FGM-H 050	8271005050	2"–20"	5–50
FGM-H 087	8271006087	8"–35"	20–87
FGM-H 150	8271007150	10"–60"	25–150

Specifications

Electrical Ratings

6A @ 120 VAC
6A @ 240 VAC
1/8 HP, 120 & 240 VAC

Adjustable Operating Pressure:

1.2 to 150 mbar
0.5" W.C. to 60" W.C.
(different ranges)

NOTE: To avoid initial line fill pressure spikes, unit should be placed downstream of the regulator.

Max. Surge Pressure:

7 PSI (482 mbar)

Ambient Operating

Temperature:
5°F to 180°F (-15°C to 82°C)
Field wiring to be rated @ 90°C (194°F) for maximum ambient

Shipping Weight:

.5 lbs. (.227 kg)

Options:

4-Pin DIN Connector
Neon Lamp Indicator
Side Mounting

Pressure switch purchases shall be governed by the terms located at www.antunes.com/terms.

P/N 1020306 Rev. E 09/16



Antunes delivers a complete range of countertop cooking equipment and water filtration solutions to foodservice operations around the world. Learn more about Antunes and its products at www.antunes.com.

U.S. Headquarters

Carol Stream, Illinois
Phone: (630) 784-1000
Toll Free: (800) 253-2991
Fax: (630) 784-1650

China Facility

Suzhou, China
Phone: 86-512-6841-3637
Toll Free: 86-512-6841-3907
Fax: 400-0-7878-22