

DUNGS Adjustable Flow Limiting Orifice Valves

VLO 1/2" / 3/4" / 1" / 1"1/4 / 1"1/2 / 2" NPT and 2.5" / 3" / 4" ANSI 150Lbs

The VLO orifice valves are designed for a very accurate control of gas flow for the nozzle mix burners, especially in a multiple burners design for a perfect adjustment of each individual burner. Gas flow is set through a proportional V shaped series of ports. Threaded versions (1/2" NPT up to 2" NPT) have two different inlet ports, an axial one and a 90 degree one. They are shipped from DUNGS with the axial set-up but can be modified by the customer without further parts. Flanged versions (2.5" / 3" and 4" ANSI 150Lbs) only have an axial inlet port. The VLO valves are not designed to be used as manual blocking valves, but as manual flow control valves.

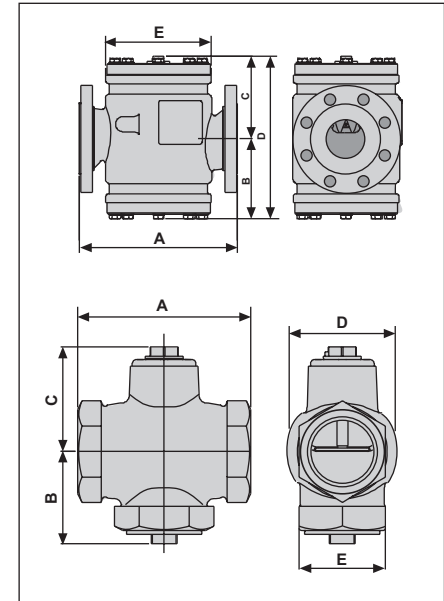


TECNICAL SPECIFICATIONS:

<i>Maximum Pressure:</i>	15 Psig
<i>Seat:</i>	Brass
<i>Orifice</i>	Brass
<i>Adjustment stem:</i>	Brass or Steel
<i>Orifice movements</i>	0,75 or 1mm per turn
<i>Installation position</i>	Multipoise
<i>Body 1/2" to 2" NPT</i>	<i>Cast Iron / 2 inlets</i>
<i>Body 2.5" / 3" / 4" #150Lbs</i>	<i>Cast Iron / 1 Inlet</i>

DUNGS Adjustable Flow Limiting Orifice Valves

Part Number	Description	Cv
272166	Limiting orifice valve VLO 1/2" NPT Threaded	
272167	Limiting orifice valve VLO 3/4" NPT Threaded	
272168	Limiting orifice valve VLO 1" NPT Threaded	
272169	Limiting orifice valve VLO 1 1/4" NPT Threaded	
272170	Limiting orifice valve VLO 1 1/2" NPT Threaded	
272171	Limiting orifice valve VLO 2" NPT Threaded	
272256	Limiting orifice valve VLO 2.5" ANSI 150Lbs Flanged	
272257	Limiting orifice valve VLO 3" ANSI 150Lbs Flanged	
272258	Limiting orifice valve VLO 4" ANSI 150Lbs Flanged	



Dimensions in inches of the threaded valves

	A	B	C	D	E	Weigh in Lbs
VLO 1/2"	3.39	1.85	1.69	1.97	Hex 32	1.5
VLO 3/4"	3.39	1.85	1.69	2.17	Hex 36	1.8
VLO 1"	4.25	2.24	2.28	2.36	Hex 46	3.1
VLO 1.1/4"	5.12	2.83	2.99	2.36	Hex 46	3.3
VLO 1.1/2"	5.12	2.83	2.99	2.72	Hex 60	2.9
VLO 2"	6.3	3.31	3.76	3.94	Hex 80	12.1

Dimensions in inches of the flanged valves

	A	B	C	D	E	Weigh in Lbs
VLO 2 1/2"	10.87	5.43	5.59	11.02	5.83	75.4
VLO 3"	11.73	5.43	5.59	11.02	5.83	82.5
VLO 4"	13.86	6.02	6.02	13.62	8.54	88.2

Note: BSP and DIN Flanged version available upon request