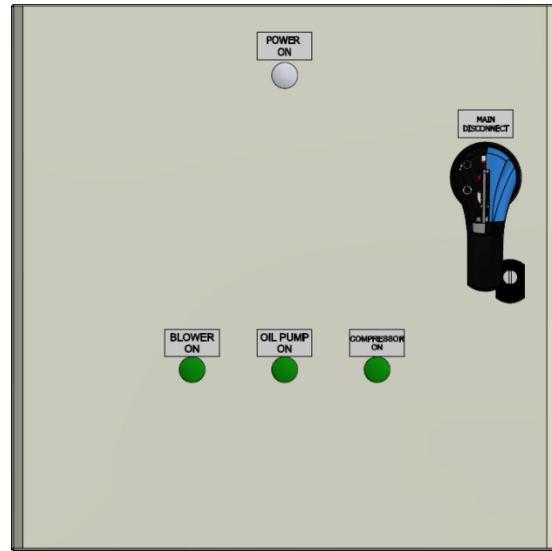
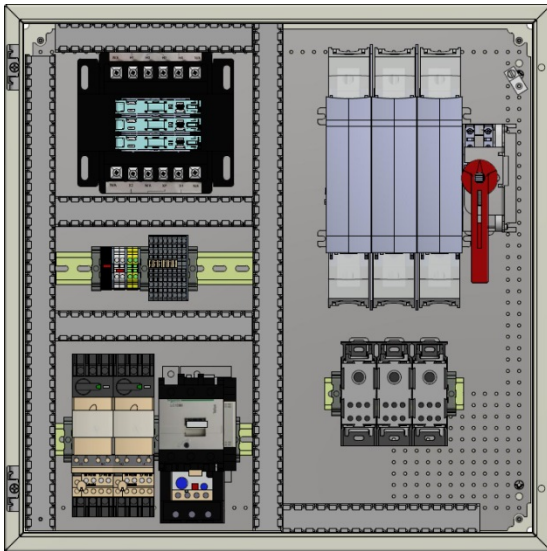


TS-3B Series

February 11, 2019

TS... 3B Stand-Alone Boiler/Burner Three Phase Enclosures For Single or Dual Fuel Boiler/Burners



Description

TS-3B... series three phase enclosures are suited for any boiler burner stand-alone 480VAC panels. Provides a single point power entry to boilers/burners and connects to combustion enclosures utilizing Siemens LMV linkageless control systems.

The TS-3B... three phase enclosures are suited for single or dual fuel boilers/burners

Features

- Single or dual fuel starters or VFD protected connections
- Up to 125HP blower motor starter or VFD protected connection, up to 20HP compressor starter, and up to 5HP oil pump starter
- Control panel 120VAC fused power connection
- Control panel command and feedback connections
- Up to 150HP blower motor
- NEMA12/4X
- UL 508 listed

Application

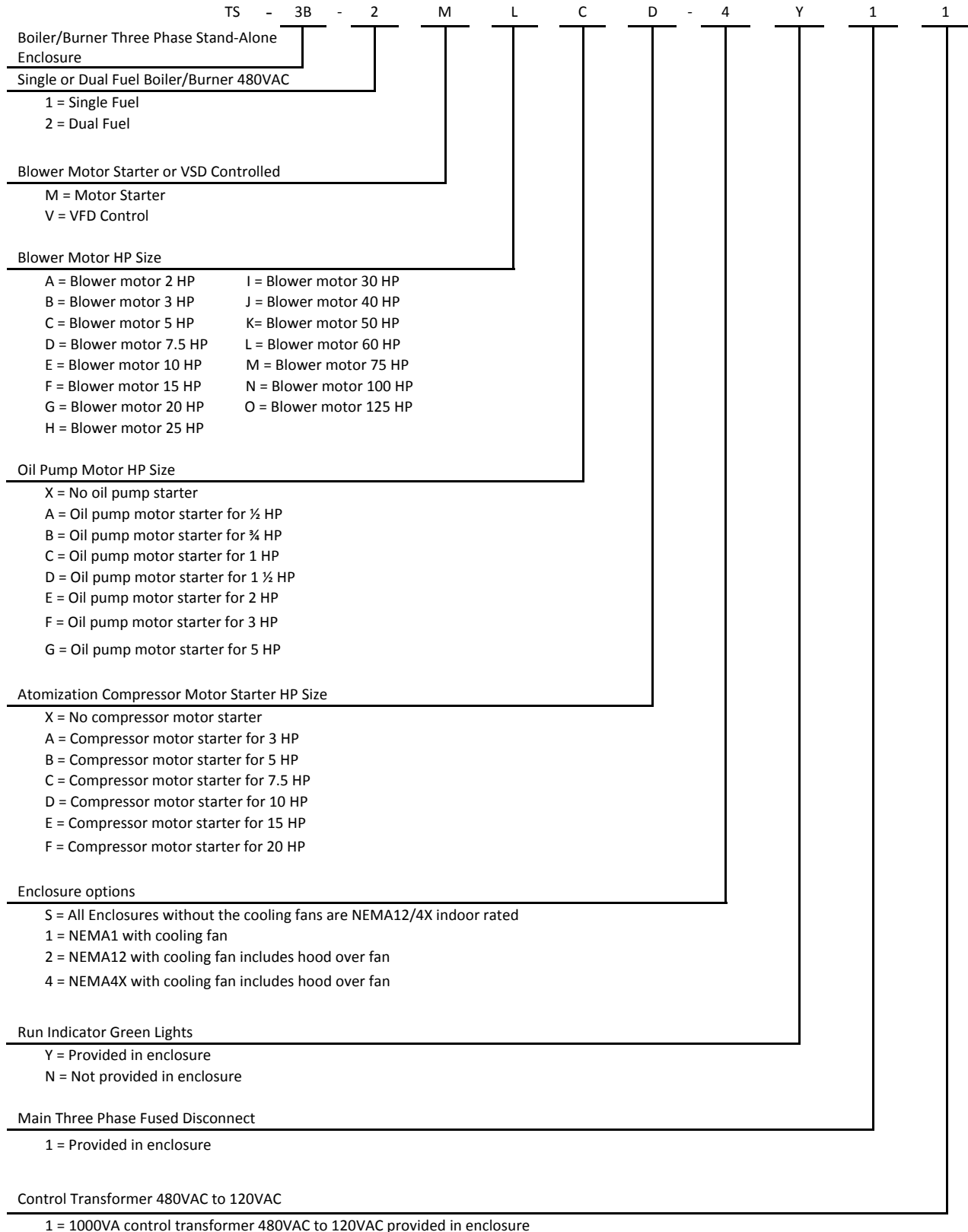
The TS-3B... three phase enclosures are suited for single or dual fuel boilers/burners, with 480VAC and up to 125HP blower motors.

Components

TS... 3 phase panel may include the following components:

- Three phase main fused disconnect
- Fuses for VFDs and Starters above 20HP
- Power distribution blocks
- Blower, oil pump, and compressor motor starters
- Blower motor VFD connection
- 1000 VA control circuit fused transformer
- 120VAC power connection terminals
- Starters control and feedback connection terminals
- Power indication light(s)

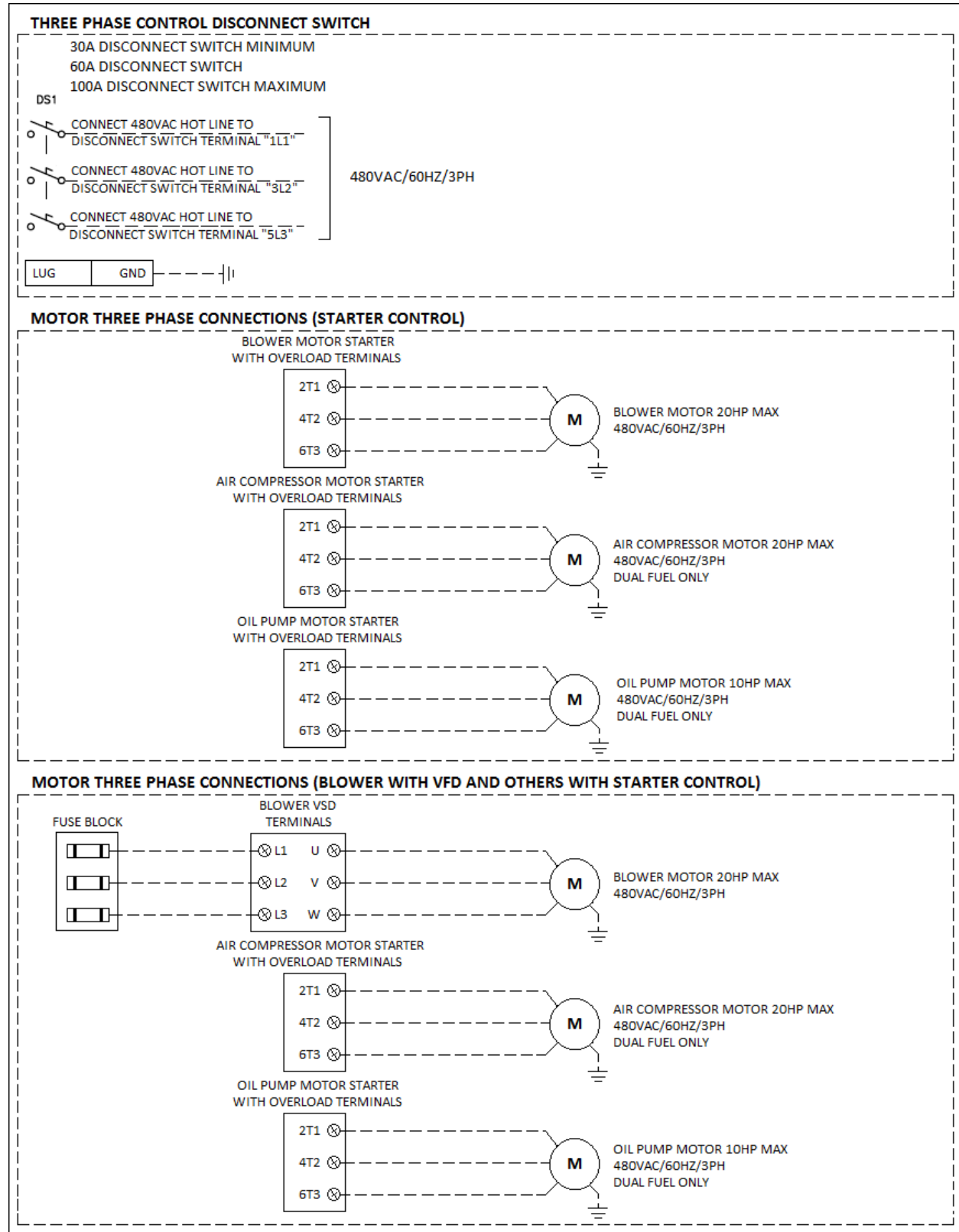
Product Part Numbers



Specifications

		All
Electrical characteristics	Main Power Voltage	480VAC
	Main Operating Frequency	50 – 60 HZ
	Three Phase Parts Power Voltage	460-480VAC
	Component Control Operating Voltage	120 VAC
	Power Consumption	HP Dependent
	SCCR (Short Circuit Current Rating)	50 to 200KA RMS
Operating environment	Operating Temperature	-10 to 131 °F [-23 to 55 °C]
	Humidity	Max. 85% with no condensation

Field Connections



Field Connections (continued)

Power Panel 120VAC Connection with SCC LMV5x Combustion Panel

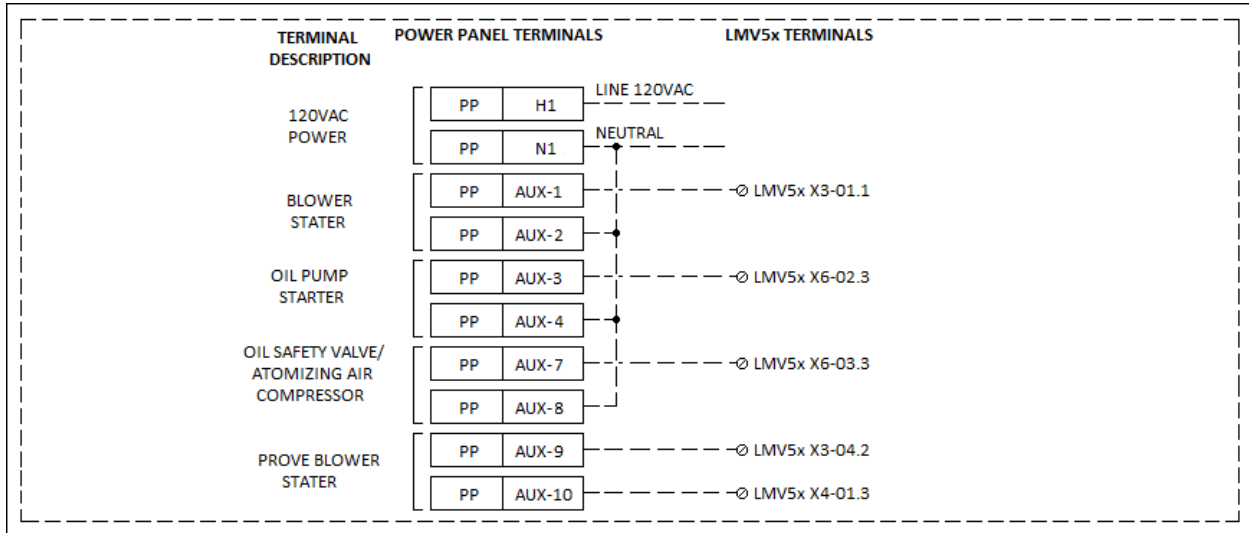
TERMINAL DESCRIPTION	POWER PANEL TERMINALS	COMBUSTION PANEL TERMINALS SCC LMV5x TS-CE SERIES
120VAC POWER	PP H1	TO DISCONNECT SWITCH TERMINAL 1L1
	PP N1	TO DISCONNECT SWITCH TERMINAL 5L3
BLOWER STATER	PP AUX-1	AUX 1
	PP AUX-2	AUX 2
OIL PUMP STARTER	PP AUX-3	AUX 3
	PP AUX-4	AUX 4
OIL SAFETY VALVE/ ATOMIZING AIR COMPRESSOR	PP AUX-7	AUX 7
	PP AUX-8	AUX 8
PROVE BLOWER STATER	PP AUX-9	AUX 9
	PP AUX-10	AUX 10

Power Panel 120VAC Connection with SCC LMV3x Combustion Panel

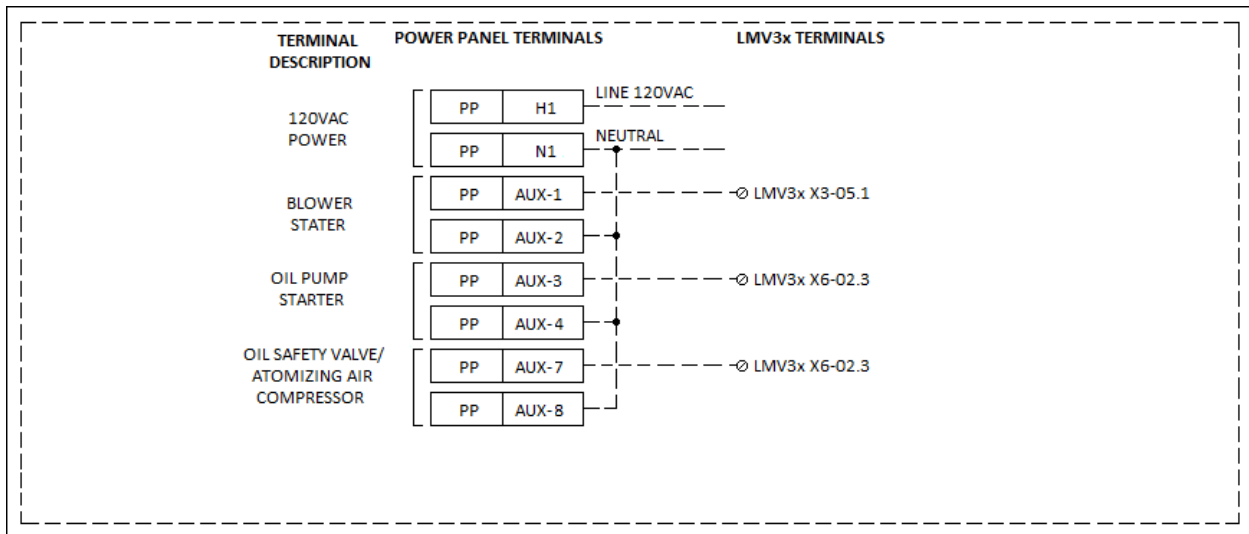
TERMINAL DESCRIPTION	POWER PANEL TERMINALS	COMBUSTION PANEL TERMINALS SCC LMV3x TS-CE SERIES
120VAC POWER	PP H1	TO DISCONNECT SWITCH TERMINAL 1L1
	PP N1	TO DISCONNECT SWITCH TERMINAL 5L3
BLOWER STATER	PP AUX-1	AUX 7
	PP AUX-2	AUX 8
OIL PUMP STARTER	PP AUX-3	AUX 5
	PP AUX-4	AUX 6
OIL SAFETY VALVE/ ATOMIZING AIR COMPRESSOR	PP AUX-7	AUX 1
	PP AUX-8	AUX 2

Field Connections (continued)

Power Panel 120VAC Direct Connection with LMV5x

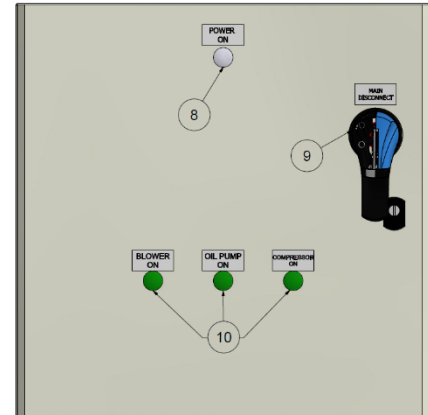
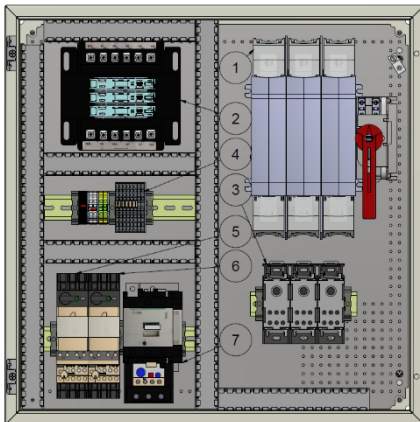


Power Panel 120VAC Direct Connection with LMV3x



Parts Description

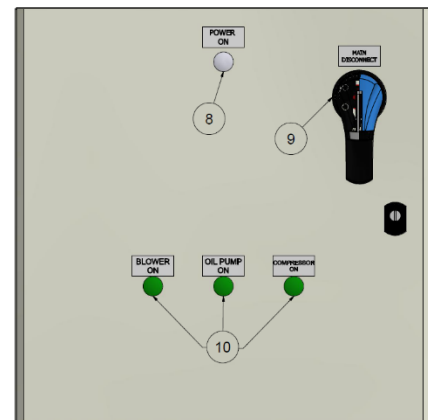
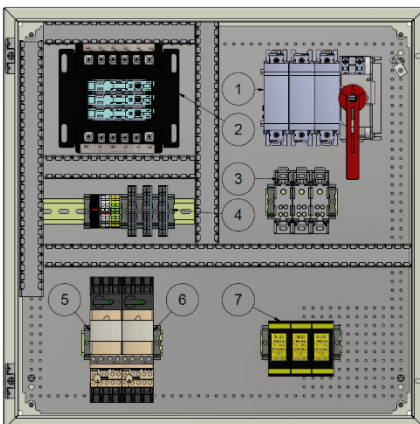
Single/Dual Fuel Starter Control



- 1- Main Fused Disconnect Switch
- 2- 1000VA, 480VAC to 120VAC control transformer
- 3- Three phase power distribution blocks
- 4- Control panel control/power terminals
- 5- Oil pump motor starter

- 6- Compressor motor starter
- 7- Blower motor starter
- 8- Power indication light
- 9- Main fused disconnect handle
- 10- Motor ON indication lights

Single/Dual Fuel Blower VFD Control



- 1- Main Fused Disconnect Switch
- 2- 1000VA, 480VAC to 120VAC control transformer
- 3- Three phase power distribution blocks
- 4- Control panel control/power terminals
- 5- Oil pump motor starter

- 6- Compressor motor starter
- 7- Blower motor fused connection
- 8- Power indication light
- 9- Main fused disconnect handle
- 10- Motor ON indication lights

Boiler/Burner Three Phase Enclosures with Blower Motor Starter Control

Note: Fuses sizes may vary slightly from this table. An electrical diagram will be provided with each order showing exact fuse sizes.

Blower Motor HP	Blower Motor FLA (A)	Oil Pump HP	Oil Pump FLA (A)	Compressor Motor HP	Compressor Motor FLA (A)	Total FLA (A)	Main Disconnect Fuse LPJ (A)	Main Disconnect Size (A)	Independent Blower motor Fuse LPJ (A)	Enclosure Size
2	3.4	0	0	0	0	7.1	7	30	Not Req'd	24"X24"X10"
2	3.4	0	0	3	4.8	11.9	12	30	Not Req'd	24"X24"X10"
2	3.4	0.5	1.1	0	0	8.2	10	30	Not Req'd	24"X24"X10"
2	3.4	0.5	1.1	3	4.8	13	15	30	Not Req'd	24"X24"X10"
2	3.4	0.75	1.6	0	0	8.7	10	30	Not Req'd	24"X24"X10"
2	3.4	0.75	1.6	3	4.8	13.5	15	30	Not Req'd	24"X24"X10"
2	3.4	1	2.1	0	0	9.2	10	30	Not Req'd	24"X24"X10"
2	3.4	1	2.1	3	4.8	14	15	30	Not Req'd	24"X24"X10"
2	3.4	1.5	3	0	0	10.1	10	30	Not Req'd	24"X24"X10"
2	3.4	1.5	3	3	4.8	14.9	15	30	Not Req'd	24"X24"X10"
3	4.8	0	0	0	0	9.2	10	30	Not Req'd	24"X24"X10"
3	4.8	0	0	3	4.8	14	15	30	Not Req'd	24"X24"X10"
3	4.8	0.5	1.1	0	0	10.3	10	30	Not Req'd	24"X24"X10"
3	4.8	0.5	1.1	3	4.8	15.1	15	30	Not Req'd	24"X24"X10"
3	4.8	0.75	1.6	0	0	10.8	12	30	Not Req'd	24"X24"X10"
3	4.8	0.75	1.6	3	4.8	15.6	17.5	30	Not Req'd	24"X24"X10"
3	4.8	1	2.1	0	0	11.3	12	30	Not Req'd	24"X24"X10"
3	4.8	1	2.1	3	4.8	16.1	17.5	30	Not Req'd	24"X24"X10"
3	4.8	1.5	3	0	0	12.2	12	30	Not Req'd	24"X24"X10"
3	4.8	1.5	3	3	4.8	17	17.5	30	Not Req'd	24"X24"X10"
3	4.8	2	3.4	0	0	12.6	15	30	Not Req'd	24"X24"X10"
3	4.8	2	3.4	3	4.8	17.4	17.5	30	Not Req'd	24"X24"X10"
5	7.6	0	0	0	0	13.4	15	30	Not Req'd	24"X24"X10"
5	7.6	0	0	3	4.8	18.2	20	30	Not Req'd	24"X24"X10"
5	7.6	0	0	5	7.6	21	20	30	Not Req'd	24"X24"X10"
5	7.6	0.5	1.1	0	0	14.5	15	30	Not Req'd	24"X24"X10"
5	7.6	0.5	1.1	3	4.8	19.3	20	30	Not Req'd	24"X24"X10"
5	7.6	0.5	1.1	5	7.6	22.1	25	30	Not Req'd	24"X24"X10"
5	7.6	0.75	1.6	0	0	15	15	30	Not Req'd	24"X24"X10"
5	7.6	0.75	1.6	3	4.8	19.8	20	30	Not Req'd	24"X24"X10"
5	7.6	0.75	1.6	5	7.6	22.6	25	30	Not Req'd	24"X24"X10"
5	7.6	1	2.1	0	0	15.5	15	30	Not Req'd	24"X24"X10"
5	7.6	1	2.1	3	4.8	20.3	20	30	Not Req'd	24"X24"X10"
5	7.6	1	2.1	5	7.6	23.1	25	30	Not Req'd	24"X24"X10"
5	7.6	1.5	3	0	0	16.4	17.5	30	Not Req'd	24"X24"X10"
5	7.6	1.5	3	3	4.8	21.2	25	30	Not Req'd	24"X24"X10"
5	7.6	1.5	3	5	7.6	24	25	30	Not Req'd	24"X24"X10"
5	7.6	2	3.4	0	0	16.8	17.5	30	Not Req'd	24"X24"X10"
5	7.6	2	3.4	3	4.8	21.6	25	30	Not Req'd	24"X24"X10"
5	7.6	2	3.4	5	7.6	24.4	25	30	Not Req'd	24"X24"X10"

Boiler/Burner Three Phase Enclosures with Blower Motor Starter Control

Note: Fuses sizes may vary slightly from this table. An electrical diagram will be provided with each order showing exact fuse sizes.

Blower Motor HP	Blower Motor FLA (A)	Oil Pump HP	Oil Pump FLA (A)	Compressor Motor HP	Compressor Motor FLA (A)	Total FLA (A)	Main Disconnect Fuse LPJ (A)	Main Disconnect Size (A)	Independent Blower motor Fuse LPJ (A)	Enclosure Size
5	7.6	3	4.8	0	0	18.2	20	30	Not Req'd	24"X24"X10"
5	7.6	3	4.8	3	4.8	23	25	30	Not Req'd	24"X24"X10"
5	7.6	3	4.8	5	7.6	25.8	25	30	Not Req'd	24"X24"X10"
7.5	11	0	0	0	0	18.5	20	30	Not Req'd	24"X24"X10"
7.5	11	0	0	3	4.8	23.3	25	30	Not Req'd	24"X24"X10"
7.5	11	0	0	5	7.6	26.1	30	30	Not Req'd	24"X24"X10"
7.5	11	0	0	7.5	11	29.5	30	30	Not Req'd	24"X24"X10"
7.5	11	0.5	1.1	0	0	19.6	20	30	Not Req'd	24"X24"X10"
7.5	11	0.5	1.1	3	4.8	24.4	25	30	Not Req'd	24"X24"X10"
7.5	11	0.5	1.1	5	7.6	27.2	30	30	Not Req'd	24"X24"X10"
7.5	11	0.5	1.1	7.5	11	30.6	30	30	Not Req'd	24"X24"X10"
7.5	11	0.75	1.6	0	0	20.1	20	30	Not Req'd	24"X24"X10"
7.5	11	0.75	1.6	3	4.8	24.9	25	30	Not Req'd	24"X24"X10"
7.5	11	0.75	1.6	5	7.6	27.7	30	30	Not Req'd	24"X24"X10"
7.5	11	0.75	1.6	7.5	11	31.1	35	60	Not Req'd	24"X24"X10"
7.5	11	1	2.1	0	0	20.6	20	30	Not Req'd	24"X24"X10"
7.5	11	1	2.1	3	4.8	25.4	25	30	Not Req'd	24"X24"X10"
7.5	11	1	2.1	5	7.6	28.2	30	30	Not Req'd	24"X24"X10"
7.5	11	1	2.1	7.5	11	31.6	35	60	Not Req'd	24"X24"X10"
7.5	11	1.5	3	0	0	21.5	25	30	Not Req'd	24"X24"X10"
7.5	11	1.5	3	3	4.8	26.3	30	30	Not Req'd	24"X24"X10"
7.5	11	1.5	3	5	7.6	29.1	30	30	Not Req'd	24"X24"X10"
7.5	11	1.5	3	7.5	11	32.5	35	60	Not Req'd	24"X24"X10"
7.5	11	2	3.4	0	0	21.9	25	30	Not Req'd	24"X24"X10"
7.5	11	2	3.4	3	4.8	26.7	30	30	Not Req'd	24"X24"X10"
7.5	11	2	3.4	5	7.6	29.5	30	30	Not Req'd	24"X24"X10"
7.5	11	2	3.4	7.5	11	32.9	35	60	Not Req'd	24"X24"X10"
7.5	11	3	4.8	0	0	23.3	25	30	Not Req'd	24"X24"X10"
7.5	11	3	4.8	3	4.8	28.1	30	30	Not Req'd	24"X24"X10"
7.5	11	3	4.8	5	7.6	30.9	30	30	Not Req'd	24"X24"X10"
7.5	11	3	4.8	7.5	11	34.3	35	60	Not Req'd	24"X24"X10"
7.5	11	5	7.6	0	0	26.1	30	30	Not Req'd	24"X24"X10"
7.5	11	5	7.6	3	4.8	30.9	30	30	Not Req'd	24"X24"X10"
7.5	11	5	7.6	5	7.6	33.7	35	60	Not Req'd	24"X24"X10"
7.5	11	5	7.6	7.5	11	37.1	40	60	Not Req'd	24"X24"X10"
10	14	0	0	0	0	23	25	30	Not Req'd	24"X24"X10"
10	14	0	0	3	4.8	27.8	30	30	Not Req'd	24"X24"X10"
10	14	0	0	5	7.6	30.6	30	30	Not Req'd	24"X24"X10"
10	14	0	0	7.5	11	34	35	60	Not Req'd	24"X24"X10"
10	14	0	0	10	14	37	40	60	Not Req'd	24"X24"X10"

Boiler/Burner Three Phase Enclosures with Blower Motor Starter Control

Note: Fuses sizes may vary slightly from this table. An electrical diagram will be provided with each order showing exact fuse sizes.

Blower Motor HP	Blower Motor FLA (A)	Oil Pump HP	Oil Pump FLA (A)	Compressor Motor HP	Compressor Motor FLA (A)	Total FLA (A)	Main Disconnect Fuse LPJ (A)	Main Disconnect Size (A)	Independent Blower motor Fuse LPJ (A)	Enclosure Size
10	14	0.5	1.1	0	0	24.1	25	30	Not Req'd	24"X24"X10"
10	14	0.5	1.1	3	4.8	28.9	30	30	Not Req'd	24"X24"X10"
10	14	0.5	1.1	5	7.6	31.7	35	60	Not Req'd	24"X24"X10"
10	14	0.5	1.1	7.5	11	35.1	35	60	Not Req'd	24"X24"X10"
10	14	0.5	1.1	10	14	38.1	40	60	Not Req'd	24"X24"X10"
10	14	0.75	1.6	0	0	24.6	25	30	Not Req'd	24"X24"X10"
10	14	0.75	1.6	3	4.8	29.4	30	30	Not Req'd	24"X24"X10"
10	14	0.75	1.6	5	7.6	32.2	35	60	Not Req'd	24"X24"X10"
10	14	0.75	1.6	7.5	11	35.6	35	60	Not Req'd	24"X24"X10"
10	14	0.75	1.6	10	14	38.6	40	60	Not Req'd	24"X24"X10"
10	14	1	2.1	0	0	25.1	25	30	Not Req'd	24"X24"X10"
10	14	1	2.1	3	4.8	29.9	30	30	Not Req'd	24"X24"X10"
10	14	1	2.1	5	7.6	32.7	35	60	Not Req'd	24"X24"X10"
10	14	1	2.1	7.5	11	36.1	40	60	Not Req'd	24"X24"X10"
10	14	1	2.1	10	14	39.1	40	60	Not Req'd	24"X24"X10"
10	14	1.5	3	0	0	26	25	30	Not Req'd	24"X24"X10"
10	14	1.5	3	3	4.8	30.8	30	30	Not Req'd	24"X24"X10"
10	14	1.5	3	5	7.6	33.6	35	60	Not Req'd	24"X24"X10"
10	14	1.5	3	7.5	11	37	40	60	Not Req'd	24"X24"X10"
10	14	1.5	3	10	14	40	40	60	Not Req'd	24"X24"X10"
10	14	2	3.4	0	0	26.4	30	30	Not Req'd	24"X24"X10"
10	14	2	3.4	3	4.8	31.2	35	60	Not Req'd	24"X24"X10"
10	14	2	3.4	5	7.6	34	35	60	Not Req'd	24"X24"X10"
10	14	2	3.4	7.5	11	37.4	40	60	Not Req'd	24"X24"X10"
10	14	2	3.4	10	14	40.4	40	60	Not Req'd	24"X24"X10"
10	14	3	4.8	0	0	27.8	30	30	Not Req'd	24"X24"X10"
10	14	3	4.8	3	4.8	32.6	35	60	Not Req'd	24"X24"X10"
10	14	3	4.8	5	7.6	35.4	35	60	Not Req'd	24"X24"X10"
10	14	3	4.8	7.5	11	38.8	40	60	Not Req'd	24"X24"X10"
10	14	3	4.8	10	14	41.8	45	60	Not Req'd	24"X24"X10"
10	14	5	7.6	0	0	30.6	30	30	Not Req'd	24"X24"X10"
10	14	5	7.6	3	4.8	35.4	35	60	Not Req'd	24"X24"X10"
10	14	5	7.6	5	7.6	38.2	40	60	Not Req'd	24"X24"X10"
10	14	5	7.6	7.5	11	41.6	45	60	Not Req'd	24"X24"X10"
10	14	5	7.6	10	14	44.6	45	60	Not Req'd	24"X24"X10"
15	21	0	0	0	0	33.5	35	60	Not Req'd	24"X24"X10"
15	21	0	0	3	4.8	38.3	40	60	Not Req'd	24"X24"X10"
15	21	0	0	5	7.6	41.1	45	60	Not Req'd	24"X24"X10"
15	21	0	0	7.5	11	44.5	45	60	Not Req'd	24"X24"X10"
15	21	0	0	10	14	47.5	50	60	Not Req'd	24"X24"X10"

Boiler/Burner Three Phase Enclosures with Blower Motor Starter Control

Note: Fuses sizes may vary slightly from this table. An electrical diagram will be provided with each order showing exact fuse sizes.

Blower Motor HP	Blower Motor FLA (A)	Oil Pump HP	Oil Pump FLA (A)	Compressor Motor HP	Compressor Motor FLA (A)	Total FLA (A)	Main Disconnect Fuse LPJ (A)	Main Disconnect Size (A)	Independent Blower motor Fuse LPJ (A)	Enclosure Size
15	21	0	0	15	21	54.5	60	60	Not Req'd	24"X24"X10"
15	21	0.5	1.1	0	0	34.6	35	60	Not Req'd	24"X24"X10"
15	21	0.5	1.1	3	4.8	39.4	40	60	Not Req'd	24"X24"X10"
15	21	0.5	1.1	5	7.6	42.2	45	60	Not Req'd	24"X24"X10"
15	21	0.5	1.1	7.5	11	45.6	45	60	Not Req'd	24"X24"X10"
15	21	0.5	1.1	10	14	48.6	50	60	Not Req'd	24"X24"X10"
15	21	0.5	1.1	15	21	55.6	60	60	Not Req'd	24"X24"X10"
15	21	0.75	1.6	0	0	35.1	35	60	Not Req'd	24"X24"X10"
15	21	0.75	1.6	3	4.8	39.9	40	60	Not Req'd	24"X24"X10"
15	21	0.75	1.6	5	7.6	42.7	45	60	Not Req'd	24"X24"X10"
15	21	0.75	1.6	7.5	11	46.1	50	60	Not Req'd	24"X24"X10"
15	21	0.75	1.6	10	14	49.1	50	60	Not Req'd	24"X24"X10"
15	21	0.75	1.6	15	21	56.1	60	60	Not Req'd	24"X24"X10"
15	21	1	2.1	0	0	35.6	35	60	Not Req'd	24"X24"X10"
15	21	1	2.1	3	4.8	40.4	40	60	Not Req'd	24"X24"X10"
15	21	1	2.1	5	7.6	43.2	45	60	Not Req'd	24"X24"X10"
15	21	1	2.1	7.5	11	46.6	50	60	Not Req'd	24"X24"X10"
15	21	1	2.1	10	14	49.6	50	60	Not Req'd	24"X24"X10"
15	21	1	2.1	15	21	56.6	60	60	Not Req'd	24"X24"X10"
15	21	1.5	3	0	0	36.5	40	60	Not Req'd	24"X24"X10"
15	21	1.5	3	3	4.8	41.3	45	60	Not Req'd	24"X24"X10"
15	21	1.5	3	5	7.6	44.1	45	60	Not Req'd	24"X24"X10"
15	21	1.5	3	7.5	11	47.5	50	60	Not Req'd	24"X24"X10"
15	21	1.5	3	10	14	50.5	50	60	Not Req'd	24"X24"X10"
15	21	1.5	3	15	21	57.5	60	60	Not Req'd	24"X24"X10"
15	21	2	3.4	0	0	36.9	40	60	Not Req'd	24"X24"X10"
15	21	2	3.4	3	4.8	41.7	45	60	Not Req'd	24"X24"X10"
15	21	2	3.4	5	7.6	44.5	45	60	Not Req'd	24"X24"X10"
15	21	2	3.4	7.5	11	47.9	50	60	Not Req'd	24"X24"X10"
15	21	2	3.4	10	14	50.9	50	60	Not Req'd	24"X24"X10"
15	21	2	3.4	15	21	57.9	60	60	Not Req'd	24"X24"X10"
15	21	3	4.8	0	0	38.3	40	60	Not Req'd	24"X24"X10"
15	21	3	4.8	3	4.8	43.1	45	60	Not Req'd	24"X24"X10"
15	21	3	4.8	5	7.6	45.9	45	60	Not Req'd	24"X24"X10"
15	21	3	4.8	7.5	11	49.3	50	60	Not Req'd	24"X24"X10"
15	21	3	4.8	10	14	52.3	60	60	Not Req'd	24"X24"X10"
15	21	3	4.8	15	21	59.3	60	60	Not Req'd	24"X24"X10"
15	21	5	7.6	0	0	41.1	45	60	Not Req'd	24"X24"X10"
15	21	5	7.6	3	4.8	45.9	45	60	Not Req'd	24"X24"X10"
15	21	5	7.6	5	7.6	48.7	50	60	Not Req'd	24"X24"X10"

Boiler/Burner Three Phase Enclosures with Blower Motor Starter Control

Note: Fuses sizes may vary slightly from this table. An electrical diagram will be provided with each order showing exact fuse sizes.

Blower Motor HP	Blower Motor FLA (A)	Oil Pump HP	Oil Pump FLA (A)	Compressor Motor HP	Compressor Motor FLA (A)	Total FLA (A)	Main Disconnect Fuse LPJ (A)	Main Disconnect Size (A)	Independent Blower motor Fuse LPJ (A)	Enclosure Size
15	21	5	7.6	7.5	11	52.1	60	60	Not Req'd	24"X24"X10"
15	21	5	7.6	10	14	55.1	60	60	Not Req'd	24"X24"X10"
15	21	5	7.6	15	21	62.1	70	100	Not Req'd	32"X32"X10"
20	27	0	0	0	0	42.5	45	60	Not Req'd	24"X24"X10"
20	27	0	0	3	4.8	47.3	50	60	Not Req'd	24"X24"X10"
20	27	0	0	5	7.6	50.1	50	60	Not Req'd	24"X24"X10"
20	27	0	0	7.5	11	53.5	60	60	Not Req'd	24"X24"X10"
20	27	0	0	10	14	56.5	60	60	Not Req'd	24"X24"X10"
20	27	0	0	15	21	63.5	70	100	Not Req'd	32"X32"X10"
20	27	0	0	20	27	69.5	70	100	Not Req'd	32"X32"X10"
20	27	0.5	1.1	0	0	43.6	45	60	Not Req'd	24"X24"X10"
20	27	0.5	1.1	3	4.8	48.4	50	60	Not Req'd	24"X24"X10"
20	27	0.5	1.1	5	7.6	51.2	50	60	Not Req'd	24"X24"X10"
20	27	0.5	1.1	7.5	11	54.6	60	60	Not Req'd	24"X24"X10"
20	27	0.5	1.1	10	14	57.6	60	60	Not Req'd	24"X24"X10"
20	27	0.5	1.1	15	21	64.6	70	100	Not Req'd	32"X32"X10"
20	27	0.5	1.1	20	27	70.6	70	100	Not Req'd	32"X32"X10"
20	27	0.75	1.6	0	0	44.1	45	60	Not Req'd	24"X24"X10"
20	27	0.75	1.6	3	4.8	48.9	50	60	Not Req'd	24"X24"X10"
20	27	0.75	1.6	5	7.6	51.7	50	60	Not Req'd	24"X24"X10"
20	27	0.75	1.6	7.5	11	55.1	60	60	Not Req'd	24"X24"X10"
20	27	0.75	1.6	10	14	58.1	60	60	Not Req'd	24"X24"X10"
20	27	0.75	1.6	15	21	65.1	70	100	Not Req'd	32"X32"X10"
20	27	0.75	1.6	20	27	71.1	70	100	Not Req'd	32"X32"X10"
20	27	1	2.1	0	0	44.6	45	60	Not Req'd	24"X24"X10"
20	27	1	2.1	3	4.8	49.4	50	60	Not Req'd	24"X24"X10"
20	27	1	2.1	5	7.6	52.2	60	60	Not Req'd	24"X24"X10"
20	27	1	2.1	7.5	11	55.6	60	60	Not Req'd	24"X24"X10"
20	27	1	2.1	10	14	58.6	60	60	Not Req'd	24"X24"X10"
20	27	1	2.1	15	21	65.6	70	100	Not Req'd	32"X32"X10"
20	27	1	2.1	20	27	71.6	70	100	Not Req'd	32"X32"X10"
20	27	1.5	3	0	0	45.5	45	60	Not Req'd	24"X24"X10"
20	27	1.5	3	3	4.8	50.3	50	60	Not Req'd	24"X24"X10"
20	27	1.5	3	5	7.6	53.1	60	60	Not Req'd	24"X24"X10"
20	27	1.5	3	7.5	11	56.5	60	60	Not Req'd	24"X24"X10"
20	27	1.5	3	10	14	59.5	60	60	Not Req'd	24"X24"X10"
20	27	1.5	3	15	21	66.5	70	100	Not Req'd	32"X32"X10"
20	27	1.5	3	20	27	72.5	80	100	Not Req'd	32"X32"X10"
20	27	2	3.4	0	0	45.9	45	60	Not Req'd	24"X24"X10"
20	27	2	3.4	3	4.8	50.7	50	60	Not Req'd	24"X24"X10"

Boiler/Burner Three Phase Enclosures with Blower Motor Starter Control

Note: Fuses sizes may vary slightly from this table. An electrical diagram will be provided with each order showing exact fuse sizes.

Blower Motor HP	Blower Motor FLA (A)	Oil Pump HP	Oil Pump FLA (A)	Compressor Motor HP	Compressor Motor FLA (A)	Total FLA (A)	Main Disconnect Fuse LPJ (A)	Main Disconnect Size (A)	Independent Blower motor Fuse LPJ (A)	Enclosure Size
20	27	2	3.4	5	7.6	53.5	60	60	Not Req'd	24"X24"X10"
20	27	2	3.4	7.5	11	56.9	60	60	Not Req'd	24"X24"X10"
20	27	2	3.4	10	14	59.9	60	60	Not Req'd	24"X24"X10"
20	27	2	3.4	15	21	66.9	70	100	Not Req'd	32"X32"X10"
20	27	2	3.4	20	27	72.9	80	100	Not Req'd	32"X32"X10"
20	27	3	4.8	0	0	47.3	50	60	Not Req'd	24"X24"X10"
20	27	3	4.8	3	4.8	52.1	60	60	Not Req'd	24"X24"X10"
20	27	3	4.8	5	7.6	54.9	60	60	Not Req'd	24"X24"X10"
20	27	3	4.8	7.5	11	58.3	60	60	Not Req'd	24"X24"X10"
20	27	3	4.8	10	14	61.3	60	60	Not Req'd	24"X24"X10"
20	27	3	4.8	15	21	68.3	70	100	Not Req'd	32"X32"X10"
20	27	3	4.8	20	27	74.3	80	100	Not Req'd	32"X32"X10"
20	27	5	7.6	0	0	50.1	50	60	Not Req'd	24"X24"X10"
20	27	5	7.6	3	4.8	54.9	60	60	Not Req'd	24"X24"X10"
20	27	5	7.6	5	7.6	57.7	60	60	Not Req'd	24"X24"X10"
20	27	5	7.6	7.5	11	61.1	60	60	Not Req'd	24"X24"X10"
20	27	5	7.6	10	14	64.1	70	100	Not Req'd	32"X32"X10"
20	27	5	7.6	15	21	71.1	70	100	Not Req'd	32"X32"X10"
20	27	5	7.6	20	27	77.1	80	100	Not Req'd	32"X32"X10"
25	34	0	0	0	0	53	60	60	Not Req'd	24"X24"X10"
25	34	0	0	3	4.8	57.8	60	60	Not Req'd	24"X24"X10"
25	34	0	0	5	7.6	60.6	60	60	Not Req'd	24"X24"X10"
25	34	0	0	7.5	11	64	70	100	60	32"X32"X10"
25	34	0	0	10	14	67	70	100	60	32"X32"X10"
25	34	0	0	15	21	74	80	100	60	32"X32"X10"
25	34	0	0	20	27	80	80	100	60	32"X32"X10"
25	34	0.5	1.1	0	0	54.1	60	60	Not Req'd	24"X24"X10"
25	34	0.5	1.1	3	4.8	58.9	60	60	Not Req'd	24"X24"X10"
25	34	0.5	1.1	5	7.6	61.7	60	60	Not Req'd	24"X24"X10"
25	34	0.5	1.1	7.5	11	65.1	70	100	60	32"X32"X10"
25	34	0.5	1.1	10	14	68.1	70	100	60	32"X32"X10"
25	34	0.5	1.1	15	21	75.1	80	100	60	32"X32"X10"
25	34	0.5	1.1	20	27	81.1	80	100	60	32"X32"X10"
25	34	0.75	1.6	0	0	54.6	60	60	Not Req'd	24"X24"X10"
25	34	0.75	1.6	3	4.8	59.4	60	60	Not Req'd	24"X24"X10"
25	34	0.75	1.6	5	7.6	62.2	70	100	60	32"X32"X10"
25	34	0.75	1.6	7.5	11	65.6	70	100	60	32"X32"X10"
25	34	0.75	1.6	10	14	68.6	70	100	60	32"X32"X10"
25	34	0.75	1.6	15	21	75.6	80	100	60	32"X32"X10"
25	34	0.75	1.6	20	27	81.6	80	100	60	32"X32"X10"

Boiler/Burner Three Phase Enclosures with Blower Motor Starter Control

Note: Fuses sizes may vary slightly from this table. An electrical diagram will be provided with each order showing exact fuse sizes.

Blower Motor HP	Blower Motor FLA (A)	Oil Pump HP	Oil Pump FLA (A)	Compressor Motor HP	Compressor Motor FLA (A)	Total FLA (A)	Main Disconnect Fuse LPJ (A)	Main Disconnect Size (A)	Independent Blower motor Fuse LPJ (A)	Enclosure Size
25	34	1	2.1	0	0	55.1	60	60	Not Req'd	24"X24"X10"
25	34	1	2.1	3	4.8	59.9	60	60	Not Req'd	24"X24"X10"
25	34	1	2.1	5	7.6	62.7	70	100	60	32"X32"X10"
25	34	1	2.1	7.5	11	66.1	70	100	60	32"X32"X10"
25	34	1	2.1	10	14	69.1	70	100	60	32"X32"X10"
25	34	1	2.1	15	21	76.1	80	100	60	32"X32"X10"
25	34	1	2.1	20	27	82.1	90	100	60	32"X32"X10"
25	34	1.5	3	0	0	56	60	60	Not Req'd	24"X24"X10"
25	34	1.5	3	3	4.8	60.8	60	60	Not Req'd	24"X24"X10"
25	34	1.5	3	5	7.6	63.6	70	100	60	32"X32"X10"
25	34	1.5	3	7.5	11	67	70	100	60	32"X32"X10"
25	34	1.5	3	10	14	70	70	100	60	32"X32"X10"
25	34	1.5	3	15	21	77	80	100	60	32"X32"X10"
25	34	1.5	3	20	27	83	90	100	60	32"X32"X10"
25	34	2	3.4	0	0	56.4	60	60	Not Req'd	24"X24"X10"
25	34	2	3.4	3	4.8	61.2	60	60	Not Req'd	24"X24"X10"
25	34	2	3.4	5	7.6	64	70	100	60	32"X32"X10"
25	34	2	3.4	7.5	11	67.4	70	100	60	32"X32"X10"
25	34	2	3.4	10	14	70.4	70	100	60	32"X32"X10"
25	34	2	3.4	15	21	77.4	80	100	60	32"X32"X10"
25	34	2	3.4	20	27	83.4	90	100	60	32"X32"X10"
25	34	3	4.8	0	0	57.8	60	60	Not Req'd	24"X24"X10"
25	34	3	4.8	3	4.8	62.6	70	100	60	32"X32"X10"
25	34	3	4.8	5	7.6	65.4	70	100	60	32"X32"X10"
25	34	3	4.8	7.5	11	68.8	70	100	60	32"X32"X10"
25	34	3	4.8	10	14	71.8	70	100	60	32"X32"X10"
25	34	3	4.8	15	21	78.8	80	100	60	32"X32"X10"
25	34	3	4.8	20	27	84.8	90	100	60	32"X32"X10"
25	34	5	7.6	0	0	60.6	60	60	Not Req'd	24"X24"X10"
25	34	5	7.6	3	4.8	65.4	70	100	60	32"X32"X10"
25	34	5	7.6	5	7.6	68.2	70	100	60	32"X32"X10"
25	34	5	7.6	7.5	11	71.6	70	100	60	32"X32"X10"
25	34	5	7.6	10	14	74.6	80	100	60	32"X32"X10"
25	34	5	7.6	15	21	81.6	80	100	60	32"X32"X10"
25	34	5	7.6	20	27	87.6	90	100	60	32"X32"X10"
30	40	0	0	0	0	62	60	60	Not Req'd	24"X24"X10"
30	40	0	0	3	4.8	66.8	70	100	Not Req'd	32"X32"X10"
30	40	0	0	5	7.6	69.6	70	100	Not Req'd	32"X32"X10"
30	40	0	0	7.5	11	73	80	100	70	32"X32"X10"
30	40	0	0	10	14	76	80	100	70	32"X32"X10"

Boiler/Burner Three Phase Enclosures with Blower Motor Starter Control

Note: Fuses sizes may vary slightly from this table. An electrical diagram will be provided with each order showing exact fuse sizes.

Blower Motor HP	Blower Motor FLA (A)	Oil Pump HP	Oil Pump FLA (A)	Compressor Motor HP	Compressor Motor FLA (A)	Total FLA (A)	Main Disconnect Fuse LPJ (A)	Main Disconnect Size (A)	Independent Blower motor Fuse LPJ (A)	Enclosure Size
30	40	0	0	15	21	83	90	100	70	32"X32"X10"
30	40	0	0	20	27	89	90	100	70	32"X32"X10"
30	40	0.5	1.1	0	0	63.1	70	100	Not Req'd	32"X32"X10"
30	40	0.5	1.1	3	4.8	67.9	70	100	Not Req'd	32"X32"X10"
30	40	0.5	1.1	5	7.6	70.7	70	100	Not Req'd	32"X32"X10"
30	40	0.5	1.1	7.5	11	74.1	80	100	70	32"X32"X10"
30	40	0.5	1.1	10	14	77.1	80	100	70	32"X32"X10"
30	40	0.5	1.1	15	21	84.1	90	100	70	32"X32"X10"
30	40	0.5	1.1	20	27	90.1	90	100	70	32"X32"X10"
30	40	0.75	1.6	0	0	63.6	70	100	Not Req'd	32"X32"X10"
30	40	0.75	1.6	3	4.8	68.4	70	100	Not Req'd	32"X32"X10"
30	40	0.75	1.6	5	7.6	71.2	70	100	Not Req'd	32"X32"X10"
30	40	0.75	1.6	7.5	11	74.6	80	100	70	32"X32"X10"
30	40	0.75	1.6	10	14	77.6	80	100	70	32"X32"X10"
30	40	0.75	1.6	15	21	84.6	90	100	70	32"X32"X10"
30	40	0.75	1.6	20	27	90.6	90	100	70	32"X32"X10"
30	40	1	2.1	0	0	64.1	70	100	Not Req'd	32"X32"X10"
30	40	1	2.1	3	4.8	68.9	70	100	Not Req'd	32"X32"X10"
30	40	1	2.1	5	7.6	71.7	70	100	Not Req'd	32"X32"X10"
30	40	1	2.1	7.5	11	75.1	80	100	70	32"X32"X10"
30	40	1	2.1	10	14	78.1	80	100	70	32"X32"X10"
30	40	1	2.1	15	21	85.1	90	100	70	32"X32"X10"
30	40	1	2.1	20	27	91.1	90	100	70	32"X32"X10"
30	40	1.5	3	0	0	65	70	100	Not Req'd	32"X32"X10"
30	40	1.5	3	3	4.8	69.8	70	100	Not Req'd	32"X32"X10"
30	40	1.5	3	5	7.6	72.6	80	100	70	32"X32"X10"
30	40	1.5	3	7.5	11	76	80	100	70	32"X32"X10"
30	40	1.5	3	10	14	79	80	100	70	32"X32"X10"
30	40	1.5	3	15	21	86	90	100	70	32"X32"X10"
30	40	1.5	3	20	27	92	90	100	70	32"X32"X10"
30	40	2	3.4	0	0	65.4	70	100	Not Req'd	32"X32"X10"
30	40	2	3.4	3	4.8	70.2	70	100	Not Req'd	32"X32"X10"
30	40	2	3.4	5	7.6	73	80	100	70	32"X32"X10"
30	40	2	3.4	7.5	11	76.4	80	100	70	32"X32"X10"
30	40	2	3.4	10	14	79.4	80	100	70	32"X32"X10"
30	40	2	3.4	15	21	86.4	90	100	70	32"X32"X10"
30	40	2	3.4	20	27	92.4	100	100	70	32"X32"X10"
30	40	3	4.8	0	0	66.8	70	100	Not Req'd	32"X32"X10"
30	40	3	4.8	3	4.8	71.6	70	100	Not Req'd	32"X32"X10"
30	40	3	4.8	5	7.6	74.4	80	100	70	32"X32"X10"

Boiler/Burner Three Phase Enclosures with Blower Motor Starter Control

Note: Fuses sizes may vary slightly from this table. An electrical diagram will be provided with each order showing exact fuse sizes.

Blower Motor HP	Blower Motor FLA (A)	Oil Pump HP	Oil Pump FLA (A)	Compressor Motor HP	Compressor Motor FLA (A)	Total FLA (A)	Main Disconnect Fuse LPJ (A)	Main Disconnect Size (A)	Independent Blower motor Fuse LPJ (A)	Enclosure Size
30	40	3	4.8	7.5	11	77.8	80	100	70	32"X32"X10"
30	40	3	4.8	10	14	80.8	80	100	70	32"X32"X10"
30	40	3	4.8	15	21	87.8	90	100	70	32"X32"X10"
30	40	3	4.8	20	27	93.8	100	100	70	32"X32"X10"
30	40	5	7.6	0	0	69.6	70	100	Not Req'd	32"X32"X10"
30	40	5	7.6	3	4.8	74.4	80	100	70	32"X32"X10"
30	40	5	7.6	5	7.6	77.2	80	100	70	32"X32"X10"
30	40	5	7.6	7.5	11	80.6	80	100	70	32"X32"X10"
30	40	5	7.6	10	14	83.6	90	100	70	32"X32"X10"
30	40	5	7.6	15	21	90.6	90	100	70	32"X32"X10"
30	40	5	7.6	20	27	96.6	100	100	70	32"X32"X10"
40	52	0	0	0	0	80	80	100	Not Req'd	32"X32"X10"
40	52	0	0	3	4.8	84.8	90	100	Not Req'd	32"X32"X10"
40	52	0	0	5	7.6	87.6	90	100	Not Req'd	32"X32"X10"
40	52	0	0	7.5	11	91	90	100	Not Req'd	32"X32"X10"
40	52	0	0	10	14	94	100	100	Not Req'd	32"X32"X10"
40	52	0	0	15	21	101	100	100	Not Req'd	32"X32"X10"
40	52	0	0	20	27	107	110	200	100	40"X32"X10"
40	52	0.5	1.1	0	0	81.1	80	100	Not Req'd	32"X32"X10"
40	52	0.5	1.1	3	4.8	85.9	90	100	Not Req'd	32"X32"X10"
40	52	0.5	1.1	5	7.6	88.7	90	100	Not Req'd	32"X32"X10"
40	52	0.5	1.1	7.5	11	92.1	100	100	Not Req'd	32"X32"X10"
40	52	0.5	1.1	10	14	95.1	100	100	Not Req'd	32"X32"X10"
40	52	0.5	1.1	15	21	102.1	110	200	100	40"X32"X10"
40	52	0.5	1.1	20	27	108.1	110	200	100	40"X32"X10"
40	52	0.75	1.6	0	0	81.6	80	100	Not Req'd	32"X32"X10"
40	52	0.75	1.6	3	4.8	86.4	90	100	Not Req'd	32"X32"X10"
40	52	0.75	1.6	5	7.6	89.2	90	100	Not Req'd	32"X32"X10"
40	52	0.75	1.6	7.5	11	92.6	100	100	Not Req'd	32"X32"X10"
40	52	0.75	1.6	10	14	95.6	100	100	Not Req'd	32"X32"X10"
40	52	0.75	1.6	15	21	102.6	110	200	100	40"X32"X10"
40	52	0.75	1.6	20	27	108.6	110	200	100	40"X32"X10"
40	52	1	2.1	0	0	82.1	90	100	Not Req'd	32"X32"X10"
40	52	1	2.1	3	4.8	86.9	90	100	Not Req'd	32"X32"X10"
40	52	1	2.1	5	7.6	89.7	90	100	Not Req'd	32"X32"X10"
40	52	1	2.1	7.5	11	93.1	100	100	Not Req'd	32"X32"X10"
40	52	1	2.1	10	14	96.1	100	100	Not Req'd	32"X32"X10"
40	52	1	2.1	15	21	103.1	110	200	100	40"X32"X10"
40	52	1	2.1	20	27	109.1	110	200	100	40"X32"X10"
40	52	1.5	3	0	0	83	90	100	Not Req'd	32"X32"X10"

Boiler/Burner Three Phase Enclosures with Blower Motor Starter Control

Note: Fuses sizes may vary slightly from this table. An electrical diagram will be provided with each order showing exact fuse sizes.

Blower Motor HP	Blower Motor FLA (A)	Oil Pump HP	Oil Pump FLA (A)	Compressor Motor HP	Compressor Motor FLA (A)	Total FLA (A)	Main Disconnect Fuse LPJ (A)	Main Disconnect Size (A)	Independent Blower motor Fuse LPJ (A)	Enclosure Size
40	52	1.5	3	3	4.8	87.8	90	100	Not Req'd	32"X32"X10"
40	52	1.5	3	5	7.6	90.6	90	100	Not Req'd	32"X32"X10"
40	52	1.5	3	7.5	11	94	100	100	Not Req'd	32"X32"X10"
40	52	1.5	3	10	14	97	100	100	Not Req'd	32"X32"X10"
40	52	1.5	3	15	21	104	110	200	100	40"X32"X10"
40	52	1.5	3	20	27	110	110	200	100	40"X32"X10"
40	52	2	3.4	0	0	83.4	90	100	Not Req'd	32"X32"X10"
40	52	2	3.4	3	4.8	88.2	90	100	Not Req'd	32"X32"X10"
40	52	2	3.4	5	7.6	91	90	100	Not Req'd	32"X32"X10"
40	52	2	3.4	7.5	11	94.4	100	100	Not Req'd	32"X32"X10"
40	52	2	3.4	10	14	97.4	100	100	Not Req'd	32"X32"X10"
40	52	2	3.4	15	21	104.4	110	200	100	40"X32"X10"
40	52	2	3.4	20	27	110.4	110	200	100	40"X32"X10"
40	52	3	4.8	0	0	84.8	90	100	Not Req'd	32"X32"X10"
40	52	3	4.8	3	4.8	89.6	90	100	Not Req'd	32"X32"X10"
40	52	3	4.8	5	7.6	92.4	100	100	Not Req'd	32"X32"X10"
40	52	3	4.8	7.5	11	95.8	100	100	Not Req'd	32"X32"X10"
40	52	3	4.8	10	14	98.8	100	100	Not Req'd	32"X32"X10"
40	52	3	4.8	15	21	105.8	110	200	100	40"X32"X10"
40	52	3	4.8	20	27	111.8	110	200	100	40"X32"X10"
40	52	5	7.6	0	0	87.6	90	100	Not Req'd	32"X32"X10"
40	52	5	7.6	3	4.8	92.4	100	100	Not Req'd	32"X32"X10"
40	52	5	7.6	5	7.6	95.2	100	100	Not Req'd	32"X32"X10"
40	52	5	7.6	7.5	11	98.6	100	100	Not Req'd	32"X32"X10"
40	52	5	7.6	10	14	101.6	100	100	Not Req'd	32"X32"X10"
40	52	5	7.6	15	21	108.6	110	200	100	40"X32"X10"
40	52	5	7.6	20	27	114.6	125	200	100	40"X32"X10"
50	65	0	0	0	0	99.5	100	100	Not Req'd	32"X32"X10"
50	65	0	0	3	4.8	104.3	110	200	Not Req'd	40"X32"X10"
50	65	0	0	5	7.6	107.1	110	200	Not Req'd	40"X32"X10"
50	65	0	0	7.5	11	110.5	110	200	Not Req'd	40"X32"X10"
50	65	0	0	10	14	113.5	125	200	Not Req'd	40"X32"X10"
50	65	0	0	15	21	120.5	125	200	Not Req'd	40"X32"X10"
50	65	0	0	20	27	126.5	125	200	Not Req'd	40"X32"X10"
50	65	0.5	1.1	0	0	100.6	100	100	Not Req'd	32"X32"X10"
50	65	0.5	1.1	3	4.8	105.4	110	200	Not Req'd	40"X32"X10"
50	65	0.5	1.1	5	7.6	108.2	110	200	Not Req'd	40"X32"X10"
50	65	0.5	1.1	7.5	11	111.6	110	200	Not Req'd	40"X32"X10"
50	65	0.5	1.1	10	14	114.6	125	200	Not Req'd	40"X32"X10"
50	65	0.5	1.1	15	21	121.6	125	200	Not Req'd	40"X32"X10"

Boiler/Burner Three Phase Enclosures with Blower Motor Starter Control

Note: Fuses sizes may vary slightly from this table. An electrical diagram will be provided with each order showing exact fuse sizes.

Blower Motor HP	Blower Motor FLA (A)	Oil Pump HP	Oil Pump FLA (A)	Compressor Motor HP	Compressor Motor FLA (A)	Total FLA (A)	Main Disconnect Fuse LPJ (A)	Main Disconnect Size (A)	Independent Blower motor Fuse LPJ (A)	Enclosure Size
50	65	0.5	1.1	20	27	127.6	125	200	Not Req'd	40"X32"X10"
50	65	0.75	1.6	0	0	101.1	100	100	Not Req'd	32"X32"X10"
50	65	0.75	1.6	3	4.8	105.9	110	200	Not Req'd	40"X32"X10"
50	65	0.75	1.6	5	7.6	108.7	110	200	Not Req'd	40"X32"X10"
50	65	0.75	1.6	7.5	11	112.1	125	200	Not Req'd	40"X32"X10"
50	65	0.75	1.6	10	14	115.1	125	200	Not Req'd	40"X32"X10"
50	65	0.75	1.6	15	21	122.1	125	200	Not Req'd	40"X32"X10"
50	65	0.75	1.6	20	27	128.1	125	200	Not Req'd	40"X32"X10"
50	65	1	2.1	0	0	101.6	100	100	Not Req'd	32"X32"X10"
50	65	1	2.1	3	4.8	106.4	110	200	Not Req'd	40"X32"X10"
50	65	1	2.1	5	7.6	109.2	110	200	Not Req'd	40"X32"X10"
50	65	1	2.1	7.5	11	112.6	125	200	Not Req'd	40"X32"X10"
50	65	1	2.1	10	14	115.6	125	200	Not Req'd	40"X32"X10"
50	65	1	2.1	15	21	122.6	125	200	Not Req'd	40"X32"X10"
50	65	1	2.1	20	27	128.6	125	200	Not Req'd	40"X32"X10"
50	65	1.5	3	0	0	102.5	110	200	Not Req'd	40"X32"X10"
50	65	1.5	3	3	4.8	107.3	110	200	Not Req'd	40"X32"X10"
50	65	1.5	3	5	7.6	110.1	110	200	Not Req'd	40"X32"X10"
50	65	1.5	3	7.5	11	113.5	125	200	Not Req'd	40"X32"X10"
50	65	1.5	3	10	14	116.5	125	200	Not Req'd	40"X32"X10"
50	65	1.5	3	15	21	123.5	125	200	Not Req'd	40"X32"X10"
50	65	1.5	3	20	27	129.5	125	200	Not Req'd	40"X32"X10"
50	65	2	3.4	0	0	102.9	110	200	Not Req'd	40"X32"X10"
50	65	2	3.4	3	4.8	107.7	110	200	Not Req'd	40"X32"X10"
50	65	2	3.4	5	7.6	110.5	110	200	Not Req'd	40"X32"X10"
50	65	2	3.4	7.5	11	113.9	125	200	Not Req'd	40"X32"X10"
50	65	2	3.4	10	14	116.9	125	200	Not Req'd	40"X32"X10"
50	65	2	3.4	15	21	123.9	125	200	Not Req'd	40"X32"X10"
50	65	2	3.4	20	27	129.9	125	200	Not Req'd	40"X32"X10"
50	65	3	4.8	0	0	104.3	110	200	Not Req'd	40"X32"X10"
50	65	3	4.8	3	4.8	109.1	110	200	Not Req'd	40"X32"X10"
50	65	3	4.8	5	7.6	111.9	110	200	Not Req'd	40"X32"X10"
50	65	3	4.8	7.5	11	115.3	125	200	Not Req'd	40"X32"X10"
50	65	3	4.8	10	14	118.3	125	200	Not Req'd	40"X32"X10"
50	65	3	4.8	15	21	125.3	125	200	Not Req'd	40"X32"X10"
50	65	3	4.8	20	27	131.3	150	200	125	40"X32"X10"
50	65	5	7.6	0	0	107.1	110	200	Not Req'd	40"X32"X10"
50	65	5	7.6	3	4.8	111.9	110	200	Not Req'd	40"X32"X10"
50	65	5	7.6	5	7.6	114.7	125	200	Not Req'd	40"X32"X10"
50	65	5	7.6	7.5	11	118.1	125	200	Not Req'd	40"X32"X10"

Boiler/Burner Three Phase Enclosures with Blower Motor Starter Control

Note: Fuses sizes may vary slightly from this table. An electrical diagram will be provided with each order showing exact fuse sizes.

Blower Motor HP	Blower Motor FLA (A)	Oil Pump HP	Oil Pump FLA (A)	Compressor Motor HP	Compressor Motor FLA (A)	Total FLA (A)	Main Disconnect Fuse LPJ (A)	Main Disconnect Size (A)	Independent Blower motor Fuse LPJ (A)	Enclosure Size
50	65	5	7.6	10	14	121.1	125	200	Not Req'd	40"X32"X10"
50	65	5	7.6	15	21	128.1	125	200	Not Req'd	40"X32"X10"
50	65	5	7.6	20	27	134.1	150	200	125	40"X32"X10"
60	77	0	0	0	0	117.5	125	200	Not Req'd	40"X32"X10"
60	77	0	0	3	4.8	122.3	125	200	Not Req'd	40"X32"X10"
60	77	0	0	5	7.6	125.1	125	200	Not Req'd	40"X32"X10"
60	77	0	0	7.5	11	128.5	125	200	Not Req'd	40"X32"X10"
60	77	0	0	10	14	131.5	150	200	Not Req'd	40"X32"X10"
60	77	0	0	15	21	138.5	150	200	Not Req'd	40"X32"X10"
60	77	0	0	20	27	144.5	150	200	Not Req'd	40"X32"X10"
60	77	0.5	1.1	0	0	118.6	125	200	Not Req'd	40"X32"X10"
60	77	0.5	1.1	3	4.8	123.4	125	200	Not Req'd	40"X32"X10"
60	77	0.5	1.1	5	7.6	126.2	125	200	Not Req'd	40"X32"X10"
60	77	0.5	1.1	7.5	11	129.6	125	200	Not Req'd	40"X32"X10"
60	77	0.5	1.1	10	14	132.6	150	200	Not Req'd	40"X32"X10"
60	77	0.5	1.1	15	21	139.6	150	200	Not Req'd	40"X32"X10"
60	77	0.5	1.1	20	27	145.6	150	200	Not Req'd	40"X32"X10"
60	77	0.75	1.6	0	0	119.1	125	200	Not Req'd	40"X32"X10"
60	77	0.75	1.6	3	4.8	123.9	125	200	Not Req'd	40"X32"X10"
60	77	0.75	1.6	5	7.6	126.7	125	200	Not Req'd	40"X32"X10"
60	77	0.75	1.6	7.5	11	130.1	150	200	Not Req'd	40"X32"X10"
60	77	0.75	1.6	10	14	133.1	150	200	Not Req'd	40"X32"X10"
60	77	0.75	1.6	15	21	140.1	150	200	Not Req'd	40"X32"X10"
60	77	0.75	1.6	20	27	146.1	150	200	Not Req'd	40"X32"X10"
60	77	1	2.1	0	0	119.6	125	200	Not Req'd	40"X32"X10"
60	77	1	2.1	3	4.8	124.4	125	200	Not Req'd	40"X32"X10"
60	77	1	2.1	5	7.6	127.2	125	200	Not Req'd	40"X32"X10"
60	77	1	2.1	7.5	11	130.6	150	200	Not Req'd	40"X32"X10"
60	77	1	2.1	10	14	133.6	150	200	Not Req'd	40"X32"X10"
60	77	1	2.1	15	21	140.6	150	200	Not Req'd	40"X32"X10"
60	77	1	2.1	20	27	146.6	150	200	Not Req'd	40"X32"X10"
60	77	1.5	3	0	0	120.5	125	200	Not Req'd	40"X32"X10"
60	77	1.5	3	3	4.8	125.3	125	200	Not Req'd	40"X32"X10"
60	77	1.5	3	5	7.6	128.1	125	200	Not Req'd	40"X32"X10"
60	77	1.5	3	7.5	11	131.5	150	200	Not Req'd	40"X32"X10"
60	77	1.5	3	10	14	134.5	150	200	Not Req'd	40"X32"X10"
60	77	1.5	3	15	21	141.5	150	200	Not Req'd	40"X32"X10"
60	77	1.5	3	20	27	147.5	150	200	Not Req'd	40"X32"X10"
60	77	2	3.4	0	0	120.9	125	200	Not Req'd	40"X32"X10"
60	77	2	3.4	3	4.8	125.7	125	200	Not Req'd	40"X32"X10"

Boiler/Burner Three Phase Enclosures with Blower Motor Starter Control

Note: Fuses sizes may vary slightly from this table. An electrical diagram will be provided with each order showing exact fuse sizes.

Blower Motor HP	Blower Motor FLA (A)	Oil Pump HP	Oil Pump FLA (A)	Compressor Motor HP	Compressor Motor FLA (A)	Total FLA (A)	Main Disconnect Fuse LPJ (A)	Main Disconnect Size (A)	Independent Blower motor Fuse LPJ (A)	Enclosure Size
60	77	2	3.4	5	7.6	128.5	125	200	Not Req'd	40"X32"X10"
60	77	2	3.4	7.5	11	131.9	150	200	Not Req'd	40"X32"X10"
60	77	2	3.4	10	14	134.9	150	200	Not Req'd	40"X32"X10"
60	77	2	3.4	15	21	141.9	150	200	Not Req'd	40"X32"X10"
60	77	2	3.4	20	27	147.9	150	200	Not Req'd	40"X32"X10"
60	77	3	4.8	0	0	122.3	125	200	Not Req'd	40"X32"X10"
60	77	3	4.8	3	4.8	127.1	125	200	Not Req'd	40"X32"X10"
60	77	3	4.8	5	7.6	129.9	125	200	Not Req'd	40"X32"X10"
60	77	3	4.8	7.5	11	133.3	150	200	Not Req'd	40"X32"X10"
60	77	3	4.8	10	14	136.3	150	200	Not Req'd	40"X32"X10"
60	77	3	4.8	15	21	143.3	150	200	Not Req'd	40"X32"X10"
60	77	3	4.8	20	27	149.3	150	200	Not Req'd	40"X32"X10"
60	77	5	7.6	0	0	125.1	125	200	Not Req'd	40"X32"X10"
60	77	5	7.6	3	4.8	129.9	125	200	Not Req'd	40"X32"X10"
60	77	5	7.6	5	7.6	132.7	150	200	Not Req'd	40"X32"X10"
60	77	5	7.6	7.5	11	136.1	150	200	Not Req'd	40"X32"X10"
60	77	5	7.6	10	14	139.1	150	200	Not Req'd	40"X32"X10"
60	77	5	7.6	15	21	146.1	150	200	Not Req'd	40"X32"X10"
60	77	5	7.6	20	27	152.1	150	200	Not Req'd	40"X32"X10"
75	96	0	0	0	0	146	150	200	Not Req'd	40"X32"X10"
75	96	0	0	3	4.8	150.8	150	200	Not Req'd	40"X32"X10"
75	96	0	0	5	7.6	153.6	150	200	Not Req'd	40"X32"X10"
75	96	0	0	7.5	11	157	175	200	Not Req'd	40"X32"X10"
75	96	0	0	10	14	160	175	200	Not Req'd	40"X32"X10"
75	96	0	0	15	21	167	175	200	Not Req'd	40"X32"X10"
75	96	0	0	20	27	173	175	200	Not Req'd	40"X32"X10"
75	96	0.5	1.1	0	0	147.1	150	200	Not Req'd	40"X32"X10"
75	96	0.5	1.1	3	4.8	151.9	150	200	Not Req'd	40"X32"X10"
75	96	0.5	1.1	5	7.6	154.7	150	200	Not Req'd	40"X32"X10"
75	96	0.5	1.1	7.5	11	158.1	175	200	Not Req'd	40"X32"X10"
75	96	0.5	1.1	10	14	161.1	175	200	Not Req'd	40"X32"X10"
75	96	0.5	1.1	15	21	168.1	175	200	Not Req'd	40"X32"X10"
75	96	0.5	1.1	20	27	174.1	175	200	Not Req'd	40"X32"X10"
75	96	0.75	1.6	0	0	147.6	150	200	Not Req'd	40"X32"X10"
75	96	0.75	1.6	3	4.8	152.4	150	200	Not Req'd	40"X32"X10"
75	96	0.75	1.6	5	7.6	155.2	175	200	Not Req'd	40"X32"X10"
75	96	0.75	1.6	7.5	11	158.6	175	200	Not Req'd	40"X32"X10"
75	96	0.75	1.6	10	14	161.6	175	200	Not Req'd	40"X32"X10"
75	96	0.75	1.6	15	21	168.6	175	200	Not Req'd	40"X32"X10"
75	96	0.75	1.6	20	27	174.6	175	200	Not Req'd	40"X32"X10"

Boiler/Burner Three Phase Enclosures with Blower Motor Starter Control

Note: Fuses sizes may vary slightly from this table. An electrical diagram will be provided with each order showing exact fuse sizes.

Blower Motor HP	Blower Motor FLA (A)	Oil Pump HP	Oil Pump FLA (A)	Compressor Motor HP	Compressor Motor FLA (A)	Total FLA (A)	Main Disconnect Fuse LPJ (A)	Main Disconnect Size (A)	Independent Blower motor Fuse LPJ (A)	Enclosure Size
75	96	1	2.1	0	0	148.1	150	200	Not Req'd	40"X32"X10"
75	96	1	2.1	3	4.8	152.9	150	200	Not Req'd	40"X32"X10"
75	96	1	2.1	5	7.6	155.7	175	200	Not Req'd	40"X32"X10"
75	96	1	2.1	7.5	11	159.1	175	200	Not Req'd	40"X32"X10"
75	96	1	2.1	10	14	162.1	175	200	Not Req'd	40"X32"X10"
75	96	1	2.1	15	21	169.1	175	200	Not Req'd	40"X32"X10"
75	96	1	2.1	20	27	175.1	175	200	Not Req'd	40"X32"X10"
75	96	1.5	3	0	0	149	150	200	Not Req'd	40"X32"X10"
75	96	1.5	3	3	4.8	153.8	150	200	Not Req'd	40"X32"X10"
75	96	1.5	3	5	7.6	156.6	175	200	Not Req'd	40"X32"X10"
75	96	1.5	3	7.5	11	160	175	200	Not Req'd	40"X32"X10"
75	96	1.5	3	10	14	163	175	200	Not Req'd	40"X32"X10"
75	96	1.5	3	15	21	170	175	200	Not Req'd	40"X32"X10"
75	96	1.5	3	20	27	176	175	200	Not Req'd	40"X32"X10"
75	96	2	3.4	0	0	149.4	150	200	Not Req'd	40"X32"X10"
75	96	2	3.4	3	4.8	154.2	150	200	Not Req'd	40"X32"X10"
75	96	2	3.4	5	7.6	157	175	200	Not Req'd	40"X32"X10"
75	96	2	3.4	7.5	11	160.4	175	200	Not Req'd	40"X32"X10"
75	96	2	3.4	10	14	163.4	175	200	Not Req'd	40"X32"X10"
75	96	2	3.4	15	21	170.4	175	200	Not Req'd	40"X32"X10"
75	96	2	3.4	20	27	176.4	175	200	Not Req'd	40"X32"X10"
75	96	3	4.8	0	0	150.8	150	200	Not Req'd	40"X32"X10"
75	96	3	4.8	3	4.8	155.6	175	200	Not Req'd	40"X32"X10"
75	96	3	4.8	5	7.6	158.4	175	200	Not Req'd	40"X32"X10"
75	96	3	4.8	7.5	11	161.8	175	200	Not Req'd	40"X32"X10"
75	96	3	4.8	10	14	164.8	175	200	Not Req'd	40"X32"X10"
75	96	3	4.8	15	21	171.8	175	200	Not Req'd	40"X32"X10"
75	96	3	4.8	20	27	177.8	175	200	Not Req'd	40"X32"X10"
75	96	5	7.6	0	0	153.6	150	200	Not Req'd	40"X32"X10"
75	96	5	7.6	3	4.8	158.4	175	200	Not Req'd	40"X32"X10"
75	96	5	7.6	5	7.6	161.2	175	200	Not Req'd	40"X32"X10"
75	96	5	7.6	7.5	11	164.6	175	200	Not Req'd	40"X32"X10"
75	96	5	7.6	10	14	167.6	175	200	Not Req'd	40"X32"X10"
75	96	5	7.6	15	21	174.6	175	200	Not Req'd	40"X32"X10"
75	96	5	7.6	20	27	180.6	200	200	175	40"X32"X10"
100	124	0	0	0	0	188	200	200	Not Req'd	40"X32"X10"
100	124	0	0	3	4.8	192.8	200	200	Not Req'd	40"X32"X10"
100	124	0	0	5	7.6	195.6	200	200	Not Req'd	40"X32"X10"
100	124	0	0	7.5	11	199	200	200	Not Req'd	40"X32"X10"
100	124	0	0	10	14	202	200	200	Not Req'd	40"X32"X10"

Boiler/Burner Three Phase Enclosures with Blower Motor Starter Control

Note: Fuses sizes may vary slightly from this table. An electrical diagram will be provided with each order showing exact fuse sizes.

Blower Motor HP	Blower Motor FLA (A)	Oil Pump HP	Oil Pump FLA (A)	Compressor Motor HP	Compressor Motor FLA (A)	Total FLA (A)	Main Disconnect Fuse LPJ (A)	Main Disconnect Size (A)	Independent Blower motor Fuse LPJ (A)	Enclosure Size
100	124	0	0	15	21	209	225	400	Not Req'd	40"X40"X12"
100	124	0	0	20	27	215	225	400	Not Req'd	40"X40"X12"
100	124	0.5	1.1	0	0	189.1	200	200	Not Req'd	40"X32"X10"
100	124	0.5	1.1	3	4.8	193.9	200	200	Not Req'd	40"X32"X10"
100	124	0.5	1.1	5	7.6	196.7	200	200	Not Req'd	40"X32"X10"
100	124	0.5	1.1	7.5	11	200.1	200	200	Not Req'd	40"X32"X10"
100	124	0.5	1.1	10	14	203.1	200	200	Not Req'd	40"X32"X10"
100	124	0.5	1.1	15	21	210.1	225	400	Not Req'd	40"X40"X12"
100	124	0.5	1.1	20	27	216.1	225	400	Not Req'd	40"X40"X12"
100	124	0.75	1.6	0	0	189.6	200	200	Not Req'd	40"X32"X10"
100	124	0.75	1.6	3	4.8	194.4	200	200	Not Req'd	40"X32"X10"
100	124	0.75	1.6	5	7.6	197.2	200	200	Not Req'd	40"X32"X10"
100	124	0.75	1.6	7.5	11	200.6	200	200	Not Req'd	40"X32"X10"
100	124	0.75	1.6	10	14	203.6	200	200	Not Req'd	40"X32"X10"
100	124	0.75	1.6	15	21	210.6	225	400	Not Req'd	40"X40"X12"
100	124	0.75	1.6	20	27	216.6	225	400	Not Req'd	40"X40"X12"
100	124	1	2.1	0	0	190.1	200	200	Not Req'd	40"X32"X10"
100	124	1	2.1	3	4.8	194.9	200	200	Not Req'd	40"X32"X10"
100	124	1	2.1	5	7.6	197.7	200	200	Not Req'd	40"X32"X10"
100	124	1	2.1	7.5	11	201.1	200	200	Not Req'd	40"X32"X10"
100	124	1	2.1	10	14	204.1	200	200	Not Req'd	40"X32"X10"
100	124	1	2.1	15	21	211.1	225	400	Not Req'd	40"X40"X12"
100	124	1	2.1	20	27	217.1	225	400	Not Req'd	40"X40"X12"
100	124	1.5	3	0	0	191	200	200	Not Req'd	40"X32"X10"
100	124	1.5	3	3	4.8	195.8	200	200	Not Req'd	40"X32"X10"
100	124	1.5	3	5	7.6	198.6	200	200	Not Req'd	40"X32"X10"
100	124	1.5	3	7.5	11	202	200	200	Not Req'd	40"X32"X10"
100	124	1.5	3	10	14	205	200	200	Not Req'd	40"X32"X10"
100	124	1.5	3	15	21	212	225	400	Not Req'd	40"X40"X12"
100	124	1.5	3	20	27	218	225	400	Not Req'd	40"X40"X12"
100	124	2	3.4	0	0	191.4	200	200	Not Req'd	40"X32"X10"
100	124	2	3.4	3	4.8	196.2	200	200	Not Req'd	40"X32"X10"
100	124	2	3.4	5	7.6	199	200	200	Not Req'd	40"X32"X10"
100	124	2	3.4	7.5	11	202.4	200	200	Not Req'd	40"X32"X10"
100	124	2	3.4	10	14	205.4	225	400	Not Req'd	40"X40"X12"
100	124	2	3.4	15	21	212.4	225	400	Not Req'd	40"X40"X12"
100	124	2	3.4	20	27	218.4	225	400	Not Req'd	40"X40"X12"
100	124	3	4.8	0	0	192.8	200	200	Not Req'd	40"X32"X10"
100	124	3	4.8	3	4.8	197.6	200	200	Not Req'd	40"X32"X10"
100	124	3	4.8	5	7.6	200.4	200	200	Not Req'd	40"X32"X10"

Boiler/Burner Three Phase Enclosures with Blower Motor Starter Control

Note: Fuses sizes may vary slightly from this table. An electrical diagram will be provided with each order showing exact fuse sizes.

Blower Motor HP	Blower Motor FLA (A)	Oil Pump HP	Oil Pump FLA (A)	Compressor Motor HP	Compressor Motor FLA (A)	Total FLA (A)	Main Disconnect Fuse LPJ (A)	Main Disconnect Size (A)	Independent Blower motor Fuse LPJ (A)	Enclosure Size
100	124	3	4.8	7.5	11	203.8	200	200	Not Req'd	40"X32"X10"
100	124	3	4.8	10	14	206.8	225	400	Not Req'd	40"X40"X12"
100	124	3	4.8	15	21	213.8	225	400	Not Req'd	40"X40"X12"
100	124	3	4.8	20	27	219.8	225	400	Not Req'd	40"X40"X12"
100	124	5	7.6	0	0	195.6	200	200	Not Req'd	40"X32"X10"
100	124	5	7.6	3	4.8	200.4	200	200	Not Req'd	40"X32"X10"
100	124	5	7.6	5	7.6	203.2	200	200	Not Req'd	40"X32"X10"
100	124	5	7.6	7.5	11	206.6	225	400	Not Req'd	40"X40"X12"
100	124	5	7.6	10	14	209.6	225	400	Not Req'd	40"X40"X12"
100	124	5	7.6	15	21	216.6	225	400	Not Req'd	40"X40"X12"
100	124	5	7.6	20	27	222.6	225	400	Not Req'd	40"X40"X12"
125	156	0	0	0	0	236	250	400	Not Req'd	40"X40"X12"
125	156	0	0	3	4.8	240.8	250	400	Not Req'd	40"X40"X12"
125	156	0	0	5	7.6	243.6	250	400	Not Req'd	40"X40"X12"
125	156	0	0	7.5	11	247	250	400	Not Req'd	40"X40"X12"
125	156	0	0	10	14	250	250	400	Not Req'd	40"X40"X12"
125	156	0	0	15	21	257	300	400	Not Req'd	40"X40"X12"
125	156	0	0	20	27	263	300	400	Not Req'd	40"X40"X12"
125	156	0.5	1.1	0	0	237.1	250	400	Not Req'd	40"X40"X12"
125	156	0.5	1.1	3	4.8	241.9	250	400	Not Req'd	40"X40"X12"
125	156	0.5	1.1	5	7.6	244.7	250	400	Not Req'd	40"X40"X12"
125	156	0.5	1.1	7.5	11	248.1	250	400	Not Req'd	40"X40"X12"
125	156	0.5	1.1	10	14	251.1	250	400	Not Req'd	40"X40"X12"
125	156	0.5	1.1	15	21	258.1	300	400	Not Req'd	40"X40"X12"
125	156	0.5	1.1	20	27	264.1	300	400	Not Req'd	40"X40"X12"
125	156	0.75	1.6	0	0	237.6	250	400	Not Req'd	40"X40"X12"
125	156	0.75	1.6	3	4.8	242.4	250	400	Not Req'd	40"X40"X12"
125	156	0.75	1.6	5	7.6	245.2	250	400	Not Req'd	40"X40"X12"
125	156	0.75	1.6	7.5	11	248.6	250	400	Not Req'd	40"X40"X12"
125	156	0.75	1.6	10	14	251.6	250	400	Not Req'd	40"X40"X12"
125	156	0.75	1.6	15	21	258.6	300	400	Not Req'd	40"X40"X12"
125	156	0.75	1.6	20	27	264.6	300	400	Not Req'd	40"X40"X12"
125	156	1	2.1	0	0	238.1	250	400	Not Req'd	40"X40"X12"
125	156	1	2.1	3	4.8	242.9	250	400	Not Req'd	40"X40"X12"
125	156	1	2.1	5	7.6	245.7	250	400	Not Req'd	40"X40"X12"
125	156	1	2.1	7.5	11	249.1	250	400	Not Req'd	40"X40"X12"
125	156	1	2.1	10	14	252.1	250	400	Not Req'd	40"X40"X12"
125	156	1	2.1	15	21	259.1	300	400	Not Req'd	40"X40"X12"
125	156	1	2.1	20	27	265.1	300	400	Not Req'd	40"X40"X12"
125	156	1.5	3	0	0	239	250	400	Not Req'd	40"X40"X12"

Boiler/Burner Three Phase Enclosures with Blower Motor Starter Control

Note: Fuses sizes may vary slightly from this table. An electrical diagram will be provided with each order showing exact fuse sizes.

Blower Motor HP	Blower Motor FLA (A)	Oil Pump HP	Oil Pump FLA (A)	Compressor Motor HP	Compressor Motor FLA (A)	Total FLA (A)	Main Disconnect Fuse LPJ (A)	Main Disconnect Size (A)	Independent Blower motor Fuse LPJ (A)	Enclosure Size
125	156	1.5	3	3	4.8	243.8	250	400	Not Req'd	40"X40"X12"
125	156	1.5	3	5	7.6	246.6	250	400	Not Req'd	40"X40"X12"
125	156	1.5	3	7.5	11	250	250	400	Not Req'd	40"X40"X12"
125	156	1.5	3	10	14	253	250	400	Not Req'd	40"X40"X12"
125	156	1.5	3	15	21	260	300	400	Not Req'd	40"X40"X12"
125	156	1.5	3	20	27	266	300	400	Not Req'd	40"X40"X12"
125	156	2	3.4	0	0	239.4	250	400	Not Req'd	40"X40"X12"
125	156	2	3.4	3	4.8	244.2	250	400	Not Req'd	40"X40"X12"
125	156	2	3.4	5	7.6	247	250	400	Not Req'd	40"X40"X12"
125	156	2	3.4	7.5	11	250.4	250	400	Not Req'd	40"X40"X12"
125	156	2	3.4	10	14	253.4	250	400	Not Req'd	40"X40"X12"
125	156	2	3.4	15	21	260.4	300	400	Not Req'd	40"X40"X12"
125	156	2	3.4	20	27	266.4	300	400	Not Req'd	40"X40"X12"
125	156	3	4.8	0	0	240.8	250	400	Not Req'd	40"X40"X12"
125	156	3	4.8	3	4.8	245.6	250	400	Not Req'd	40"X40"X12"
125	156	3	4.8	5	7.6	248.4	250	400	Not Req'd	40"X40"X12"
125	156	3	4.8	7.5	11	251.8	250	400	Not Req'd	40"X40"X12"
125	156	3	4.8	10	14	254.8	250	400	Not Req'd	40"X40"X12"
125	156	3	4.8	15	21	261.8	300	400	Not Req'd	40"X40"X12"
125	156	3	4.8	20	27	267.8	300	400	Not Req'd	40"X40"X12"
125	156	5	7.6	0	0	243.6	250	400	Not Req'd	40"X40"X12"
125	156	5	7.6	3	4.8	248.4	250	400	Not Req'd	40"X40"X12"
125	156	5	7.6	5	7.6	251.2	250	400	Not Req'd	40"X40"X12"
125	156	5	7.6	7.5	11	254.6	250	400	Not Req'd	40"X40"X12"
125	156	5	7.6	10	14	257.6	300	400	Not Req'd	40"X40"X12"
125	156	5	7.6	15	21	264.6	300	400	Not Req'd	40"X40"X12"
125	156	5	7.6	20	27	270.6	300	400	Not Req'd	40"X40"X12"

Boiler/Burner Three Phase Enclosures with Blower VFD Control

Note: Fuse sizes assume that a Yaskawa or comparable brand VFD is being used to control the blower motor. If using other please notify SCC Inc. Fuses sizes may need to be adjusted to accommodate UL requirement.

Blower Motor HP	Blower Motor VFD Fuse Size (A)	Oil Pump HP	Oil Pump FLA (A)	Compressor Motor HP	Compressor Motor FLA (A)	Total FLA (A)	Main Disconnect Fuse LPJ (A)	Main Disconnect Size (A)	Independent Blower motor Fuse LPJ (A)	Enclosure Size
2	7	0	0	0	0	9	10	30	7	24"X24"X10"
2	7	0	0	3	4.8	13.8	15	30	7	24"X24"X10"
2	7	0.5	1.1	0	0	10.1	10	30	7	24"X24"X10"
2	7	0.5	1.1	3	4.8	14.9	15	30	7	24"X24"X10"
2	7	0.75	1.6	0	0	10.6	12	30	7	24"X24"X10"
2	7	0.75	1.6	3	4.8	15.4	15	30	7	24"X24"X10"
2	7	1	2.1	0	0	11.1	12	30	7	24"X24"X10"
2	7	1	2.1	3	4.8	15.9	17.5	30	7	24"X24"X10"
2	7	1.5	3	0	0	12	12	30	7	24"X24"X10"
2	7	1.5	3	3	4.8	16.8	17.5	30	7	24"X24"X10"
3	10	0	0	0	0	12	12	30	10	24"X24"X10"
3	10	0	0	3	4.8	16.8	17.5	30	10	24"X24"X10"
3	10	0.5	1.1	0	0	13.1	15	30	10	24"X24"X10"
3	10	0.5	1.1	3	4.8	17.9	17.5	30	10	24"X24"X10"
3	10	0.75	1.6	0	0	13.6	15	30	10	24"X24"X10"
3	10	0.75	1.6	3	4.8	18.4	20	30	10	24"X24"X10"
3	10	1	2.1	0	0	14.1	15	30	10	24"X24"X10"
3	10	1	2.1	3	4.8	18.9	20	30	10	24"X24"X10"
3	10	1.5	3	0	0	15	15	30	10	24"X24"X10"
3	10	1.5	3	3	4.8	19.8	20	30	10	24"X24"X10"
3	10	2	3.4	0	0	15.4	15	30	10	24"X24"X10"
3	10	2	3.4	3	4.8	20.2	20	30	10	24"X24"X10"
5	15	0	0	0	0	17	17.5	30	15	24"X24"X10"
5	15	0	0	3	4.8	21.8	25	30	15	24"X24"X10"
5	15	0	0	5	7.6	24.6	25	30	15	24"X24"X10"
5	15	0.5	1.1	0	0	18.1	20	30	15	24"X24"X10"
5	15	0.5	1.1	3	4.8	22.9	25	30	15	24"X24"X10"
5	15	0.5	1.1	5	7.6	25.7	25	30	15	24"X24"X10"
5	15	0.75	1.6	0	0	18.6	20	30	15	24"X24"X10"
5	15	0.75	1.6	3	4.8	23.4	25	30	15	24"X24"X10"
5	15	0.75	1.6	5	7.6	26.2	30	30	15	24"X24"X10"
5	15	1	2.1	0	0	19.1	20	30	15	24"X24"X10"
5	15	1	2.1	3	4.8	23.9	25	30	15	24"X24"X10"
5	15	1	2.1	5	7.6	26.7	30	30	15	24"X24"X10"
5	15	1.5	3	0	0	20	20	30	15	24"X24"X10"
5	15	1.5	3	3	4.8	24.8	25	30	15	24"X24"X10"
5	15	1.5	3	5	7.6	27.6	30	30	15	24"X24"X10"
5	15	2	3.4	0	0	20.4	20	30	15	24"X24"X10"
5	15	2	3.4	3	4.8	25.2	25	30	15	24"X24"X10"
5	15	2	3.4	5	7.6	28	30	30	15	24"X24"X10"

Boiler/Burner Three Phase Enclosures with Blower VFD Control

Note: Fuse sizes assume that a Yaskawa or comparable brand VFD is being used to control the blower motor. If using other please notify SCC Inc. Fuses sizes may need to be adjusted to accommodate UL requirement.

Blower Motor HP	Blower Motor VFD Fuse Size (A)	Oil Pump HP	Oil Pump FLA (A)	Compressor Motor HP	Compressor Motor FLA (A)	Total FLA (A)	Main Disconnect Fuse LPJ (A)	Main Disconnect Size (A)	Independent Blower motor Fuse LPJ (A)	Enclosure Size
5	15	3	4.8	0	0	21.8	25	30	15	24"X24"X10"
5	15	3	4.8	3	4.8	26.6	30	30	15	24"X24"X10"
5	15	3	4.8	5	7.6	29.4	30	30	15	24"X24"X10"
7.5	20	0	0	0	0	22	25	30	20	24"X24"X10"
7.5	20	0	0	3	4.8	26.8	30	30	20	24"X24"X10"
7.5	20	0	0	5	7.6	29.6	30	30	20	24"X24"X10"
7.5	20	0	0	7.5	11	33	35	60	20	24"X24"X10"
7.5	20	0.5	1.1	0	0	23.1	25	30	20	24"X24"X10"
7.5	20	0.5	1.1	3	4.8	27.9	30	30	20	24"X24"X10"
7.5	20	0.5	1.1	5	7.6	30.7	30	30	20	24"X24"X10"
7.5	20	0.5	1.1	7.5	11	34.1	35	60	20	24"X24"X10"
7.5	20	0.75	1.6	0	0	23.6	25	30	20	24"X24"X10"
7.5	20	0.75	1.6	3	4.8	28.4	30	30	20	24"X24"X10"
7.5	20	0.75	1.6	5	7.6	31.2	35	60	20	24"X24"X10"
7.5	20	0.75	1.6	7.5	11	34.6	35	60	20	24"X24"X10"
7.5	20	1	2.1	0	0	24.1	25	30	20	24"X24"X10"
7.5	20	1	2.1	3	4.8	28.9	30	30	20	24"X24"X10"
7.5	20	1	2.1	5	7.6	31.7	35	60	20	24"X24"X10"
7.5	20	1	2.1	7.5	11	35.1	35	60	20	24"X24"X10"
7.5	20	1.5	3	0	0	25	25	30	20	24"X24"X10"
7.5	20	1.5	3	3	4.8	29.8	30	30	20	24"X24"X10"
7.5	20	1.5	3	5	7.6	32.6	35	60	20	24"X24"X10"
7.5	20	1.5	3	7.5	11	36	35	60	20	24"X24"X10"
7.5	20	2	3.4	0	0	25.4	25	30	20	24"X24"X10"
7.5	20	2	3.4	3	4.8	30.2	30	30	20	24"X24"X10"
7.5	20	2	3.4	5	7.6	33	35	60	20	24"X24"X10"
7.5	20	2	3.4	7.5	11	36.4	40	60	20	24"X24"X10"
7.5	20	3	4.8	0	0	26.8	30	30	20	24"X24"X10"
7.5	20	3	4.8	3	4.8	31.6	35	60	20	24"X24"X10"
7.5	20	3	4.8	5	7.6	34.4	35	60	20	24"X24"X10"
7.5	20	3	4.8	7.5	11	37.8	40	60	20	24"X24"X10"
7.5	20	5	7.6	0	0	29.6	30	30	20	24"X24"X10"
7.5	20	5	7.6	3	4.8	34.4	35	60	20	24"X24"X10"
7.5	20	5	7.6	5	7.6	37.2	40	60	20	24"X24"X10"
7.5	20	5	7.6	7.5	11	40.6	40	60	20	24"X24"X10"
10	35	0	0	0	0	37	40	60	35	24"X24"X10"
10	35	0	0	3	4.8	41.8	45	60	35	24"X24"X10"
10	35	0	0	5	7.6	44.6	45	60	35	24"X24"X10"
10	35	0	0	7.5	11	48	50	60	35	24"X24"X10"
10	35	0	0	10	14	51	50	60	35	24"X24"X10"

Boiler/Burner Three Phase Enclosures with Blower VFD Control

Note: Fuse sizes assume that a Yaskawa or comparable brand VFD is being used to control the blower motor. If using other please notify SCC Inc. Fuses sizes may need to be adjusted to accommodate UL requirement.

Blower Motor HP	Blower Motor VFD Fuse Size (A)	Oil Pump HP	Oil Pump FLA (A)	Compressor Motor HP	Compressor Motor FLA (A)	Total FLA (A)	Main Disconnect Fuse LPJ (A)	Main Disconnect Size (A)	Independent Blower motor Fuse LPJ (A)	Enclosure Size
10	35	0.5	1.1	0	0	38.1	40	60	35	24"X24"X10"
10	35	0.5	1.1	3	4.8	42.9	45	60	35	24"X24"X10"
10	35	0.5	1.1	5	7.6	45.7	45	60	35	24"X24"X10"
10	35	0.5	1.1	7.5	11	49.1	50	60	35	24"X24"X10"
10	35	0.5	1.1	10	14	52.1	60	60	35	24"X24"X10"
10	35	0.75	1.6	0	0	38.6	40	60	35	24"X24"X10"
10	35	0.75	1.6	3	4.8	43.4	45	60	35	24"X24"X10"
10	35	0.75	1.6	5	7.6	46.2	50	60	35	24"X24"X10"
10	35	0.75	1.6	7.5	11	49.6	50	60	35	24"X24"X10"
10	35	0.75	1.6	10	14	52.6	60	60	35	24"X24"X10"
10	35	1	2.1	0	0	39.1	40	60	35	24"X24"X10"
10	35	1	2.1	3	4.8	43.9	45	60	35	24"X24"X10"
10	35	1	2.1	5	7.6	46.7	50	60	35	24"X24"X10"
10	35	1	2.1	7.5	11	50.1	50	60	35	24"X24"X10"
10	35	1	2.1	10	14	53.1	60	60	35	24"X24"X10"
10	35	1.5	3	0	0	40	40	60	35	24"X24"X10"
10	35	1.5	3	3	4.8	44.8	45	60	35	24"X24"X10"
10	35	1.5	3	5	7.6	47.6	50	60	35	24"X24"X10"
10	35	1.5	3	7.5	11	51	50	60	35	24"X24"X10"
10	35	1.5	3	10	14	54	60	60	35	24"X24"X10"
10	35	2	3.4	0	0	40.4	40	60	35	24"X24"X10"
10	35	2	3.4	3	4.8	45.2	45	60	35	24"X24"X10"
10	35	2	3.4	5	7.6	48	50	60	35	24"X24"X10"
10	35	2	3.4	7.5	11	51.4	50	60	35	24"X24"X10"
10	35	2	3.4	10	14	54.4	60	60	35	24"X24"X10"
10	35	3	4.8	0	0	41.8	45	60	35	24"X24"X10"
10	35	3	4.8	3	4.8	46.6	50	60	35	24"X24"X10"
10	35	3	4.8	5	7.6	49.4	50	60	35	24"X24"X10"
10	35	3	4.8	7.5	11	52.8	60	60	35	24"X24"X10"
10	35	3	4.8	10	14	55.8	60	60	35	24"X24"X10"
10	35	5	7.6	0	0	44.6	45	60	35	24"X24"X10"
10	35	5	7.6	3	4.8	49.4	50	60	35	24"X24"X10"
10	35	5	7.6	5	7.6	52.2	60	60	35	24"X24"X10"
10	35	5	7.6	7.5	11	55.6	60	60	35	24"X24"X10"
10	35	5	7.6	10	14	58.6	60	60	35	24"X24"X10"
15	40	0	0	0	0	42	45	60	40	24"X24"X10"
15	40	0	0	3	4.8	46.8	50	60	40	24"X24"X10"
15	40	0	0	5	7.6	49.6	50	60	40	24"X24"X10"
15	40	0	0	7.5	11	53	60	60	40	24"X24"X10"
15	40	0	0	10	14	56	60	60	40	24"X24"X10"

Boiler/Burner Three Phase Enclosures with Blower VFD Control

Note: Fuse sizes assume that a Yaskawa or comparable brand VFD is being used to control the blower motor. If using other please notify SCC Inc. Fuses sizes may need to be adjusted to accommodate UL requirement.

Blower Motor HP	Blower Motor VFD Fuse Size (A)	Oil Pump HP	Oil Pump FLA (A)	Compressor Motor HP	Compressor Motor FLA (A)	Total FLA (A)	Main Disconnect Fuse LPJ (A)	Main Disconnect Size (A)	Independent Blower motor Fuse LPJ (A)	Enclosure Size
15	40	0	0	15	21	63	70	100	40	32"X32"X10"
15	40	0.5	1.1	0	0	43.1	45	60	40	24"X24"X10"
15	40	0.5	1.1	3	4.8	47.9	50	60	40	24"X24"X10"
15	40	0.5	1.1	5	7.6	50.7	50	60	40	24"X24"X10"
15	40	0.5	1.1	7.5	11	54.1	60	60	40	24"X24"X10"
15	40	0.5	1.1	10	14	57.1	60	60	40	24"X24"X10"
15	40	0.5	1.1	15	21	64.1	70	100	40	32"X32"X10"
15	40	0.75	1.6	0	0	43.6	45	60	40	24"X24"X10"
15	40	0.75	1.6	3	4.8	48.4	50	60	40	24"X24"X10"
15	40	0.75	1.6	5	7.6	51.2	50	60	40	24"X24"X10"
15	40	0.75	1.6	7.5	11	54.6	60	60	40	24"X24"X10"
15	40	0.75	1.6	10	14	57.6	60	60	40	24"X24"X10"
15	40	0.75	1.6	15	21	64.6	70	100	40	32"X32"X10"
15	40	1	2.1	0	0	44.1	45	60	40	24"X24"X10"
15	40	1	2.1	3	4.8	48.9	50	60	40	24"X24"X10"
15	40	1	2.1	5	7.6	51.7	50	60	40	24"X24"X10"
15	40	1	2.1	7.5	11	55.1	60	60	40	24"X24"X10"
15	40	1	2.1	10	14	58.1	60	60	40	24"X24"X10"
15	40	1	2.1	15	21	65.1	70	100	40	32"X32"X10"
15	40	1.5	3	0	0	45	45	60	40	24"X24"X10"
15	40	1.5	3	3	4.8	49.8	50	60	40	24"X24"X10"
15	40	1.5	3	5	7.6	52.6	60	60	40	24"X24"X10"
15	40	1.5	3	7.5	11	56	60	60	40	24"X24"X10"
15	40	1.5	3	10	14	59	60	60	40	24"X24"X10"
15	40	1.5	3	15	21	66	70	100	40	32"X32"X10"
15	40	2	3.4	0	0	45.4	45	60	40	24"X24"X10"
15	40	2	3.4	3	4.8	50.2	50	60	40	24"X24"X10"
15	40	2	3.4	5	7.6	53	60	60	40	24"X24"X10"
15	40	2	3.4	7.5	11	56.4	60	60	40	24"X24"X10"
15	40	2	3.4	10	14	59.4	60	60	40	24"X24"X10"
15	40	2	3.4	15	21	66.4	70	100	40	32"X32"X10"
15	40	3	4.8	0	0	46.8	50	60	40	24"X24"X10"
15	40	3	4.8	3	4.8	51.6	50	60	40	24"X24"X10"
15	40	3	4.8	5	7.6	54.4	60	60	40	24"X24"X10"
15	40	3	4.8	7.5	11	57.8	60	60	40	24"X24"X10"
15	40	3	4.8	10	14	60.8	60	60	40	24"X24"X10"
15	40	3	4.8	15	21	67.8	70	100	40	32"X32"X10"
15	40	5	7.6	0	0	49.6	50	60	40	24"X24"X10"
15	40	5	7.6	3	4.8	54.4	60	60	40	24"X24"X10"
15	40	5	7.6	5	7.6	57.2	60	60	40	24"X24"X10"

Boiler/Burner Three Phase Enclosures with Blower VFD Control

Note: Fuse sizes assume that a Yaskawa or comparable brand VFD is being used to control the blower motor. If using other please notify SCC Inc. Fuses sizes may need to be adjusted to accommodate UL requirement.

Blower Motor HP	Blower Motor VFD Fuse Size (A)	Oil Pump HP	Oil Pump FLA (A)	Compressor Motor HP	Compressor Motor FLA (A)	Total FLA (A)	Main Disconnect Fuse LPJ (A)	Main Disconnect Size (A)	Independent Blower motor Fuse LPJ (A)	Enclosure Size
15	40	5	7.6	7.5	11	60.6	60	60	40	24"X24"X10"
15	40	5	7.6	10	14	63.6	70	100	40	32"X32"X10"
15	40	5	7.6	15	21	70.6	70	100	40	32"X32"X10"
20	60	0	0	0	0	62	60	60	Not Req'd	24"X24"X10"
20	60	0	0	3	4.8	66.8	70	100	60	32"X32"X10"
20	60	0	0	5	7.6	69.6	70	100	60	32"X32"X10"
20	60	0	0	7.5	11	73	80	100	60	32"X32"X10"
20	60	0	0	10	14	76	80	100	60	32"X32"X10"
20	60	0	0	15	21	83	90	100	60	32"X32"X10"
20	60	0	0	20	27	89	90	100	60	32"X32"X10"
20	60	0.5	1.1	0	0	63.1	70	100	60	32"X32"X10"
20	60	0.5	1.1	3	4.8	67.9	70	100	60	32"X32"X10"
20	60	0.5	1.1	5	7.6	70.7	70	100	60	32"X32"X10"
20	60	0.5	1.1	7.5	11	74.1	80	100	60	32"X32"X10"
20	60	0.5	1.1	10	14	77.1	80	100	60	32"X32"X10"
20	60	0.5	1.1	15	21	84.1	90	100	60	32"X32"X10"
20	60	0.5	1.1	20	27	90.1	90	100	60	32"X32"X10"
20	60	0.75	1.6	0	0	63.6	70	100	60	32"X32"X10"
20	60	0.75	1.6	3	4.8	68.4	70	100	60	32"X32"X10"
20	60	0.75	1.6	5	7.6	71.2	70	100	60	32"X32"X10"
20	60	0.75	1.6	7.5	11	74.6	80	100	60	32"X32"X10"
20	60	0.75	1.6	10	14	77.6	80	100	60	32"X32"X10"
20	60	0.75	1.6	15	21	84.6	90	100	60	32"X32"X10"
20	60	0.75	1.6	20	27	90.6	90	100	60	32"X32"X10"
20	60	1	2.1	0	0	64.1	70	100	60	32"X32"X10"
20	60	1	2.1	3	4.8	68.9	70	100	60	32"X32"X10"
20	60	1	2.1	5	7.6	71.7	70	100	60	32"X32"X10"
20	60	1	2.1	7.5	11	75.1	80	100	60	32"X32"X10"
20	60	1	2.1	10	14	78.1	80	100	60	32"X32"X10"
20	60	1	2.1	15	21	85.1	90	100	60	32"X32"X10"
20	60	1	2.1	20	27	91.1	90	100	60	32"X32"X10"
20	60	1.5	3	0	0	65	70	100	60	32"X32"X10"
20	60	1.5	3	3	4.8	69.8	70	100	60	32"X32"X10"
20	60	1.5	3	5	7.6	72.6	80	100	60	32"X32"X10"
20	60	1.5	3	7.5	11	76	80	100	60	32"X32"X10"
20	60	1.5	3	10	14	79	80	100	60	32"X32"X10"
20	60	1.5	3	15	21	86	90	100	60	32"X32"X10"
20	60	1.5	3	20	27	92	90	100	60	32"X32"X10"
20	60	2	3.4	0	0	65.4	70	100	60	32"X32"X10"
20	60	2	3.4	3	4.8	70.2	70	100	60	32"X32"X10"

Boiler/Burner Three Phase Enclosures with Blower VFD Control

Note: Fuse sizes assume that a Yaskawa or comparable brand VFD is being used to control the blower motor. If using other please notify SCC Inc. Fuses sizes may need to be adjusted to accommodate UL requirement.

Blower Motor HP	Blower Motor VFD Fuse Size (A)	Oil Pump HP	Oil Pump FLA (A)	Compressor Motor HP	Compressor Motor FLA (A)	Total FLA (A)	Main Disconnect Fuse LPJ (A)	Main Disconnect Size (A)	Independent Blower motor Fuse LPJ (A)	Enclosure Size
20	60	2	3.4	5	7.6	73	80	100	60	32"X32"X10"
20	60	2	3.4	7.5	11	76.4	80	100	60	32"X32"X10"
20	60	2	3.4	10	14	79.4	80	100	60	32"X32"X10"
20	60	2	3.4	15	21	86.4	90	100	60	32"X32"X10"
20	60	2	3.4	20	27	92.4	100	100	60	32"X32"X10"
20	60	3	4.8	0	0	66.8	70	100	60	32"X32"X10"
20	60	3	4.8	3	4.8	71.6	70	100	60	32"X32"X10"
20	60	3	4.8	5	7.6	74.4	80	100	60	32"X32"X10"
20	60	3	4.8	7.5	11	77.8	80	100	60	32"X32"X10"
20	60	3	4.8	10	14	80.8	80	100	60	32"X32"X10"
20	60	3	4.8	15	21	87.8	90	100	60	32"X32"X10"
20	60	3	4.8	20	27	93.8	100	100	60	32"X32"X10"
20	60	5	7.6	0	0	69.6	70	100	60	32"X32"X10"
20	60	5	7.6	3	4.8	74.4	80	100	60	32"X32"X10"
20	60	5	7.6	5	7.6	77.2	80	100	60	32"X32"X10"
20	60	5	7.6	7.5	11	80.6	80	100	60	32"X32"X10"
20	60	5	7.6	10	14	83.6	90	100	60	32"X32"X10"
20	60	5	7.6	15	21	90.6	90	100	60	32"X32"X10"
20	60	5	7.6	20	27	96.6	100	100	60	32"X32"X10"
25	70	0	0	0	0	72	70	100	Not Req'd	32"X32"X10"
25	70	0	0	3	4.8	76.8	80	100	70	32"X32"X10"
25	70	0	0	5	7.6	79.6	80	100	70	32"X32"X10"
25	70	0	0	7.5	11	83	90	100	70	32"X32"X10"
25	70	0	0	10	14	86	90	100	70	32"X32"X10"
25	70	0	0	15	21	93	100	100	70	32"X32"X10"
25	70	0	0	20	27	99	100	100	70	32"X32"X10"
25	70	0.5	1.1	0	0	73.1	80	100	70	32"X32"X10"
25	70	0.5	1.1	3	4.8	77.9	80	100	70	32"X32"X10"
25	70	0.5	1.1	5	7.6	80.7	80	100	70	32"X32"X10"
25	70	0.5	1.1	7.5	11	84.1	90	100	70	32"X32"X10"
25	70	0.5	1.1	10	14	87.1	90	100	70	32"X32"X10"
25	70	0.5	1.1	15	21	94.1	100	100	70	32"X32"X10"
25	70	0.5	1.1	20	27	100.1	100	100	70	32"X32"X10"
25	70	0.75	1.6	0	0	73.6	80	100	70	32"X32"X10"
25	70	0.75	1.6	3	4.8	78.4	80	100	70	32"X32"X10"
25	70	0.75	1.6	5	7.6	81.2	80	100	70	32"X32"X10"
25	70	0.75	1.6	7.5	11	84.6	90	100	70	32"X32"X10"
25	70	0.75	1.6	10	14	87.6	90	100	70	32"X32"X10"
25	70	0.75	1.6	15	21	94.6	100	100	70	32"X32"X10"
25	70	0.75	1.6	20	27	100.6	100	100	70	32"X32"X10"

Boiler/Burner Three Phase Enclosures with Blower VFD Control

Note: Fuse sizes assume that a Yaskawa or comparable brand VFD is being used to control the blower motor. If using other please notify SCC Inc. Fuses sizes may need to be adjusted to accommodate UL requirement.

Blower Motor HP	Blower Motor VFD Fuse Size (A)	Oil Pump HP	Oil Pump FLA (A)	Compressor Motor HP	Compressor Motor FLA (A)	Total FLA (A)	Main Disconnect Fuse LPJ (A)	Main Disconnect Size (A)	Independent Blower motor Fuse LPJ (A)	Enclosure Size
25	70	1	2.1	0	0	74.1	80	100	70	32"X32"X10"
25	70	1	2.1	3	4.8	78.9	80	100	70	32"X32"X10"
25	70	1	2.1	5	7.6	81.7	80	100	70	32"X32"X10"
25	70	1	2.1	7.5	11	85.1	90	100	70	32"X32"X10"
25	70	1	2.1	10	14	88.1	90	100	70	32"X32"X10"
25	70	1	2.1	15	21	95.1	100	100	70	32"X32"X10"
25	70	1	2.1	20	27	101.1	100	100	70	32"X32"X10"
25	70	1.5	3	0	0	75	80	100	70	32"X32"X10"
25	70	1.5	3	3	4.8	79.8	80	100	70	32"X32"X10"
25	70	1.5	3	5	7.6	82.6	90	100	70	32"X32"X10"
25	70	1.5	3	7.5	11	86	90	100	70	32"X32"X10"
25	70	1.5	3	10	14	89	90	100	70	32"X32"X10"
25	70	1.5	3	15	21	96	100	100	70	32"X32"X10"
25	70	1.5	3	20	27	102	100	100	70	32"X32"X10"
25	70	2	3.4	0	0	75.4	80	100	70	32"X32"X10"
25	70	2	3.4	3	4.8	80.2	80	100	70	32"X32"X10"
25	70	2	3.4	5	7.6	83	90	100	70	32"X32"X10"
25	70	2	3.4	7.5	11	86.4	90	100	70	32"X32"X10"
25	70	2	3.4	10	14	89.4	90	100	70	32"X32"X10"
25	70	2	3.4	15	21	96.4	100	100	70	32"X32"X10"
25	70	2	3.4	20	27	102.4	110	200	70	40"X32"X10"
25	70	3	4.8	0	0	76.8	80	100	70	32"X32"X10"
25	70	3	4.8	3	4.8	81.6	80	100	70	32"X32"X10"
25	70	3	4.8	5	7.6	84.4	90	100	70	32"X32"X10"
25	70	3	4.8	7.5	11	87.8	90	100	70	32"X32"X10"
25	70	3	4.8	10	14	90.8	90	100	70	32"X32"X10"
25	70	3	4.8	15	21	97.8	100	100	70	32"X32"X10"
25	70	3	4.8	20	27	103.8	110	200	70	40"X32"X10"
25	70	5	7.6	0	0	79.6	80	100	70	32"X32"X10"
25	70	5	7.6	3	4.8	84.4	90	100	70	32"X32"X10"
25	70	5	7.6	5	7.6	87.2	90	100	70	32"X32"X10"
25	70	5	7.6	7.5	11	90.6	90	100	70	32"X32"X10"
25	70	5	7.6	10	14	93.6	100	100	70	32"X32"X10"
25	70	5	7.6	15	21	100.6	100	100	70	32"X32"X10"
25	70	5	7.6	20	27	106.6	110	200	70	40"X32"X10"
30	90	0	0	0	0	92	90	100	Not Req'd	32"X32"X10"
30	90	0	0	3	4.8	96.8	100	100	90	32"X32"X10"
30	90	0	0	5	7.6	99.6	100	100	90	32"X32"X10"
30	90	0	0	7.5	11	103	110	200	90	40"X32"X10"
30	90	0	0	10	14	106	110	200	90	40"X32"X10"

Boiler/Burner Three Phase Enclosures with Blower VFD Control

Note: Fuse sizes assume that a Yaskawa or comparable brand VFD is being used to control the blower motor. If using other please notify SCC Inc. Fuses sizes may need to be adjusted to accommodate UL requirement.

Blower Motor HP	Blower Motor VFD Fuse Size (A)	Oil Pump HP	Oil Pump FLA (A)	Compressor Motor HP	Compressor Motor FLA (A)	Total FLA (A)	Main Disconnect Fuse LPJ (A)	Main Disconnect Size (A)	Independent Blower motor Fuse LPJ (A)	Enclosure Size
30	90	0	0	15	21	113	125	200	90	40"X32"X10"
30	90	0	0	20	27	119	125	200	90	40"X32"X10"
30	90	0.5	1.1	0	0	93.1	100	100	90	32"X32"X10"
30	90	0.5	1.1	3	4.8	97.9	100	100	90	32"X32"X10"
30	90	0.5	1.1	5	7.6	100.7	100	100	90	32"X32"X10"
30	90	0.5	1.1	7.5	11	104.1	110	200	90	40"X32"X10"
30	90	0.5	1.1	10	14	107.1	110	200	90	40"X32"X10"
30	90	0.5	1.1	15	21	114.1	125	200	90	40"X32"X10"
30	90	0.5	1.1	20	27	120.1	125	200	90	40"X32"X10"
30	90	0.75	1.6	0	0	93.6	100	100	90	32"X32"X10"
30	90	0.75	1.6	3	4.8	98.4	100	100	90	32"X32"X10"
30	90	0.75	1.6	5	7.6	101.2	100	100	90	32"X32"X10"
30	90	0.75	1.6	7.5	11	104.6	110	200	90	40"X32"X10"
30	90	0.75	1.6	10	14	107.6	110	200	90	40"X32"X10"
30	90	0.75	1.6	15	21	114.6	125	200	90	40"X32"X10"
30	90	0.75	1.6	20	27	120.6	125	200	90	40"X32"X10"
30	90	1	2.1	0	0	94.1	100	100	90	32"X32"X10"
30	90	1	2.1	3	4.8	98.9	100	100	90	32"X32"X10"
30	90	1	2.1	5	7.6	101.7	100	100	90	32"X32"X10"
30	90	1	2.1	7.5	11	105.1	110	200	90	40"X32"X10"
30	90	1	2.1	10	14	108.1	110	200	90	40"X32"X10"
30	90	1	2.1	15	21	115.1	125	200	90	40"X32"X10"
30	90	1	2.1	20	27	121.1	125	200	90	40"X32"X10"
30	90	1.5	3	0	0	95	100	100	90	32"X32"X10"
30	90	1.5	3	3	4.8	99.8	100	100	90	32"X32"X10"
30	90	1.5	3	5	7.6	102.6	110	200	90	40"X32"X10"
30	90	1.5	3	7.5	11	106	110	200	90	40"X32"X10"
30	90	1.5	3	10	14	109	110	200	90	40"X32"X10"
30	90	1.5	3	15	21	116	125	200	90	40"X32"X10"
30	90	1.5	3	20	27	122	125	200	90	40"X32"X10"
30	90	2	3.4	0	0	95.4	100	100	90	32"X32"X10"
30	90	2	3.4	3	4.8	100.2	100	100	90	32"X32"X10"
30	90	2	3.4	5	7.6	103	110	200	90	40"X32"X10"
30	90	2	3.4	7.5	11	106.4	110	200	90	40"X32"X10"
30	90	2	3.4	10	14	109.4	110	200	90	40"X32"X10"
30	90	2	3.4	15	21	116.4	125	200	90	40"X32"X10"
30	90	2	3.4	20	27	122.4	125	200	90	40"X32"X10"
30	90	3	4.8	0	0	96.8	100	100	90	32"X32"X10"
30	90	3	4.8	3	4.8	101.6	100	100	90	32"X32"X10"
30	90	3	4.8	5	7.6	104.4	110	200	90	40"X32"X10"

Boiler/Burner Three Phase Enclosures with Blower VFD Control

Note: Fuse sizes assume that a Yaskawa or comparable brand VFD is being used to control the blower motor. If using other please notify SCC Inc. Fuses sizes may need to be adjusted to accommodate UL requirement.

Blower Motor HP	Blower Motor VFD Fuse Size (A)	Oil Pump HP	Oil Pump FLA (A)	Compressor Motor HP	Compressor Motor FLA (A)	Total FLA (A)	Main Disconnect Fuse LPJ (A)	Main Disconnect Size (A)	Independent Blower motor Fuse LPJ (A)	Enclosure Size
30	90	3	4.8	7.5	11	107.8	110	200	90	40"X32"X10"
30	90	3	4.8	10	14	110.8	110	200	90	40"X32"X10"
30	90	3	4.8	15	21	117.8	125	200	90	40"X32"X10"
30	90	3	4.8	20	27	123.8	125	200	90	40"X32"X10"
30	90	5	7.6	0	0	99.6	100	100	90	32"X32"X10"
30	90	5	7.6	3	4.8	104.4	110	200	90	40"X32"X10"
30	90	5	7.6	5	7.6	107.2	110	200	90	40"X32"X10"
30	90	5	7.6	7.5	11	110.6	110	200	90	40"X32"X10"
30	90	5	7.6	10	14	113.6	125	200	90	40"X32"X10"
30	90	5	7.6	15	21	120.6	125	200	90	40"X32"X10"
30	90	5	7.6	20	27	126.6	125	200	90	40"X32"X10"
40	100	0	0	0	0	102	100	100	Not Req'd	32"X32"X10"
40	100	0	0	3	4.8	106.8	110	200	100	40"X32"X10"
40	100	0	0	5	7.6	109.6	110	200	100	40"X32"X10"
40	100	0	0	7.5	11	113	125	200	100	40"X32"X10"
40	100	0	0	10	14	116	125	200	100	40"X32"X10"
40	100	0	0	15	21	123	125	200	100	40"X32"X10"
40	100	0	0	20	27	129	125	200	100	40"X32"X10"
40	100	0.5	1.1	0	0	103.1	110	200	100	40"X32"X10"
40	100	0.5	1.1	3	4.8	107.9	110	200	100	40"X32"X10"
40	100	0.5	1.1	5	7.6	110.7	110	200	100	40"X32"X10"
40	100	0.5	1.1	7.5	11	114.1	125	200	100	40"X32"X10"
40	100	0.5	1.1	10	14	117.1	125	200	100	40"X32"X10"
40	100	0.5	1.1	15	21	124.1	125	200	100	40"X32"X10"
40	100	0.5	1.1	20	27	130.1	150	200	100	40"X32"X10"
40	100	0.75	1.6	0	0	103.6	110	200	100	40"X32"X10"
40	100	0.75	1.6	3	4.8	108.4	110	200	100	40"X32"X10"
40	100	0.75	1.6	5	7.6	111.2	110	200	100	40"X32"X10"
40	100	0.75	1.6	7.5	11	114.6	125	200	100	40"X32"X10"
40	100	0.75	1.6	10	14	117.6	125	200	100	40"X32"X10"
40	100	0.75	1.6	15	21	124.6	125	200	100	40"X32"X10"
40	100	0.75	1.6	20	27	130.6	150	200	100	40"X32"X10"
40	100	1	2.1	0	0	104.1	110	200	100	40"X32"X10"
40	100	1	2.1	3	4.8	108.9	110	200	100	40"X32"X10"
40	100	1	2.1	5	7.6	111.7	110	200	100	40"X32"X10"
40	100	1	2.1	7.5	11	115.1	125	200	100	40"X32"X10"
40	100	1	2.1	10	14	118.1	125	200	100	40"X32"X10"
40	100	1	2.1	15	21	125.1	125	200	100	40"X32"X10"
40	100	1	2.1	20	27	131.1	150	200	100	40"X32"X10"
40	100	1.5	3	0	0	105	110	200	100	40"X32"X10"

Boiler/Burner Three Phase Enclosures with Blower VFD Control

Note: Fuse sizes assume that a Yaskawa or comparable brand VFD is being used to control the blower motor. If using other please notify SCC Inc. Fuses sizes may need to be adjusted to accommodate UL requirement.

Blower Motor HP	Blower Motor VFD Fuse Size (A)	Oil Pump HP	Oil Pump FLA (A)	Compressor Motor HP	Compressor Motor FLA (A)	Total FLA (A)	Main Disconnect Fuse LPJ (A)	Main Disconnect Size (A)	Independent Blower motor Fuse LPJ (A)	Enclosure Size
40	100	1.5	3	3	4.8	109.8	110	200	100	40"X32"X10"
40	100	1.5	3	5	7.6	112.6	125	200	100	40"X32"X10"
40	100	1.5	3	7.5	11	116	125	200	100	40"X32"X10"
40	100	1.5	3	10	14	119	125	200	100	40"X32"X10"
40	100	1.5	3	15	21	126	125	200	100	40"X32"X10"
40	100	1.5	3	20	27	132	150	200	100	40"X32"X10"
40	100	2	3.4	0	0	105.4	110	200	100	40"X32"X10"
40	100	2	3.4	3	4.8	110.2	110	200	100	40"X32"X10"
40	100	2	3.4	5	7.6	113	125	200	100	40"X32"X10"
40	100	2	3.4	7.5	11	116.4	125	200	100	40"X32"X10"
40	100	2	3.4	10	14	119.4	125	200	100	40"X32"X10"
40	100	2	3.4	15	21	126.4	125	200	100	40"X32"X10"
40	100	2	3.4	20	27	132.4	150	200	100	40"X32"X10"
40	100	3	4.8	0	0	106.8	110	200	100	40"X32"X10"
40	100	3	4.8	3	4.8	111.6	110	200	100	40"X32"X10"
40	100	3	4.8	5	7.6	114.4	125	200	100	40"X32"X10"
40	100	3	4.8	7.5	11	117.8	125	200	100	40"X32"X10"
40	100	3	4.8	10	14	120.8	125	200	100	40"X32"X10"
40	100	3	4.8	15	21	127.8	125	200	100	40"X32"X10"
40	100	3	4.8	20	27	133.8	150	200	100	40"X32"X10"
40	100	5	7.6	0	0	109.6	110	200	100	40"X32"X10"
40	100	5	7.6	3	4.8	114.4	125	200	100	40"X32"X10"
40	100	5	7.6	5	7.6	117.2	125	200	100	40"X32"X10"
40	100	5	7.6	7.5	11	120.6	125	200	100	40"X32"X10"
40	100	5	7.6	10	14	123.6	125	200	100	40"X32"X10"
40	100	5	7.6	15	21	130.6	150	200	100	40"X32"X10"
40	100	5	7.6	20	27	136.6	150	200	100	40"X32"X10"
50	110	0	0	0	0	112	110	200	Not Req'd	40"X32"X10"
50	110	0	0	3	4.8	116.8	125	200	110	40"X32"X10"
50	110	0	0	5	7.6	119.6	125	200	110	40"X32"X10"
50	110	0	0	7.5	11	123	125	200	110	40"X32"X10"
50	110	0	0	10	14	126	125	200	110	40"X32"X10"
50	110	0	0	15	21	133	150	200	110	40"X32"X10"
50	110	0	0	20	27	139	150	200	110	40"X32"X10"
50	110	0.5	1.1	0	0	113.1	125	200	110	40"X32"X10"
50	110	0.5	1.1	3	4.8	117.9	125	200	110	40"X32"X10"
50	110	0.5	1.1	5	7.6	120.7	125	200	110	40"X32"X10"
50	110	0.5	1.1	7.5	11	124.1	125	200	110	40"X32"X10"
50	110	0.5	1.1	10	14	127.1	125	200	110	40"X32"X10"
50	110	0.5	1.1	15	21	134.1	150	200	110	40"X32"X10"

Boiler/Burner Three Phase Enclosures with Blower VFD Control

Note: Fuse sizes assume that a Yaskawa or comparable brand VFD is being used to control the blower motor. If using other please notify SCC Inc. Fuses sizes may need to be adjusted to accommodate UL requirement.

Blower Motor HP	Blower Motor VFD Fuse Size (A)	Oil Pump HP	Oil Pump FLA (A)	Compressor Motor HP	Compressor Motor FLA (A)	Total FLA (A)	Main Disconnect Fuse LPJ (A)	Main Disconnect Size (A)	Independent Blower motor Fuse LPJ (A)	Enclosure Size
50	110	0.5	1.1	20	27	140.1	150	200	110	40"X32"X10"
50	110	0.75	1.6	0	0	113.6	125	200	110	40"X32"X10"
50	110	0.75	1.6	3	4.8	118.4	125	200	110	40"X32"X10"
50	110	0.75	1.6	5	7.6	121.2	125	200	110	40"X32"X10"
50	110	0.75	1.6	7.5	11	124.6	125	200	110	40"X32"X10"
50	110	0.75	1.6	10	14	127.6	125	200	110	40"X32"X10"
50	110	0.75	1.6	15	21	134.6	150	200	110	40"X32"X10"
50	110	0.75	1.6	20	27	140.6	150	200	110	40"X32"X10"
50	110	1	2.1	0	0	114.1	125	200	110	40"X32"X10"
50	110	1	2.1	3	4.8	118.9	125	200	110	40"X32"X10"
50	110	1	2.1	5	7.6	121.7	125	200	110	40"X32"X10"
50	110	1	2.1	7.5	11	125.1	125	200	110	40"X32"X10"
50	110	1	2.1	10	14	128.1	125	200	110	40"X32"X10"
50	110	1	2.1	15	21	135.1	150	200	110	40"X32"X10"
50	110	1	2.1	20	27	141.1	150	200	110	40"X32"X10"
50	110	1.5	3	0	0	115	125	200	110	40"X32"X10"
50	110	1.5	3	3	4.8	119.8	125	200	110	40"X32"X10"
50	110	1.5	3	5	7.6	122.6	125	200	110	40"X32"X10"
50	110	1.5	3	7.5	11	126	125	200	110	40"X32"X10"
50	110	1.5	3	10	14	129	125	200	110	40"X32"X10"
50	110	1.5	3	15	21	136	150	200	110	40"X32"X10"
50	110	1.5	3	20	27	142	150	200	110	40"X32"X10"
50	110	2	3.4	0	0	115.4	125	200	110	40"X32"X10"
50	110	2	3.4	3	4.8	120.2	125	200	110	40"X32"X10"
50	110	2	3.4	5	7.6	123	125	200	110	40"X32"X10"
50	110	2	3.4	7.5	11	126.4	125	200	110	40"X32"X10"
50	110	2	3.4	10	14	129.4	125	200	110	40"X32"X10"
50	110	2	3.4	15	21	136.4	150	200	110	40"X32"X10"
50	110	2	3.4	20	27	142.4	150	200	110	40"X32"X10"
50	110	3	4.8	0	0	116.8	125	200	110	40"X32"X10"
50	110	3	4.8	3	4.8	121.6	125	200	110	40"X32"X10"
50	110	3	4.8	5	7.6	124.4	125	200	110	40"X32"X10"
50	110	3	4.8	7.5	11	127.8	125	200	110	40"X32"X10"
50	110	3	4.8	10	14	130.8	150	200	110	40"X32"X10"
50	110	3	4.8	15	21	137.8	150	200	110	40"X32"X10"
50	110	3	4.8	20	27	143.8	150	200	110	40"X32"X10"
50	110	5	7.6	0	0	119.6	125	200	110	40"X32"X10"
50	110	5	7.6	3	4.8	124.4	125	200	110	40"X32"X10"
50	110	5	7.6	5	7.6	127.2	125	200	110	40"X32"X10"
50	110	5	7.6	7.5	11	130.6	150	200	110	40"X32"X10"

Boiler/Burner Three Phase Enclosures with Blower VFD Control

Note: Fuse sizes assume that a Yaskawa or comparable brand VFD is being used to control the blower motor. If using other please notify SCC Inc. Fuses sizes may need to be adjusted to accommodate UL requirement.

Blower Motor HP	Blower Motor VFD Fuse Size (A)	Oil Pump HP	Oil Pump FLA (A)	Compressor Motor HP	Compressor Motor FLA (A)	Total FLA (A)	Main Disconnect Fuse LPJ (A)	Main Disconnect Size (A)	Independent Blower motor Fuse LPJ (A)	Enclosure Size
50	110	5	7.6	10	14	133.6	150	200	110	40"X32"X10"
50	110	5	7.6	15	21	140.6	150	200	110	40"X32"X10"
50	110	5	7.6	20	27	146.6	150	200	110	40"X32"X10"
60	150	0	0	0	0	152	150	200	Not Req'd	40"X32"X10"
60	150	0	0	3	4.8	156.8	175	200	150	40"X32"X10"
60	150	0	0	5	7.6	159.6	175	200	150	40"X32"X10"
60	150	0	0	7.5	11	163	175	200	150	40"X32"X10"
60	150	0	0	10	14	166	175	200	150	40"X32"X10"
60	150	0	0	15	21	173	175	200	150	40"X32"X10"
60	150	0	0	20	27	179	175	200	150	40"X32"X10"
60	150	0.5	1.1	0	0	153.1	150	200	Not Req'd	40"X32"X10"
60	150	0.5	1.1	3	4.8	157.9	175	200	150	40"X32"X10"
60	150	0.5	1.1	5	7.6	160.7	175	200	150	40"X32"X10"
60	150	0.5	1.1	7.5	11	164.1	175	200	150	40"X32"X10"
60	150	0.5	1.1	10	14	167.1	175	200	150	40"X32"X10"
60	150	0.5	1.1	15	21	174.1	175	200	150	40"X32"X10"
60	150	0.5	1.1	20	27	180.1	200	200	150	40"X32"X10"
60	150	0.75	1.6	0	0	153.6	150	200	Not Req'd	40"X32"X10"
60	150	0.75	1.6	3	4.8	158.4	175	200	150	40"X32"X10"
60	150	0.75	1.6	5	7.6	161.2	175	200	150	40"X32"X10"
60	150	0.75	1.6	7.5	11	164.6	175	200	150	40"X32"X10"
60	150	0.75	1.6	10	14	167.6	175	200	150	40"X32"X10"
60	150	0.75	1.6	15	21	174.6	175	200	150	40"X32"X10"
60	150	0.75	1.6	20	27	180.6	200	200	150	40"X32"X10"
60	150	1	2.1	0	0	154.1	150	200	Not Req'd	40"X32"X10"
60	150	1	2.1	3	4.8	158.9	175	200	150	40"X32"X10"
60	150	1	2.1	5	7.6	161.7	175	200	150	40"X32"X10"
60	150	1	2.1	7.5	11	165.1	175	200	150	40"X32"X10"
60	150	1	2.1	10	14	168.1	175	200	150	40"X32"X10"
60	150	1	2.1	15	21	175.1	175	200	150	40"X32"X10"
60	150	1	2.1	20	27	181.1	200	200	150	40"X32"X10"
60	150	1.5	3	0	0	155	150	200	Not Req'd	40"X32"X10"
60	150	1.5	3	3	4.8	159.8	175	200	150	40"X32"X10"
60	150	1.5	3	5	7.6	162.6	175	200	150	40"X32"X10"
60	150	1.5	3	7.5	11	166	175	200	150	40"X32"X10"
60	150	1.5	3	10	14	169	175	200	150	40"X32"X10"
60	150	1.5	3	15	21	176	175	200	150	40"X32"X10"
60	150	1.5	3	20	27	182	200	200	150	40"X32"X10"
60	150	2	3.4	0	0	155.4	175	200	150	40"X32"X10"
60	150	2	3.4	3	4.8	160.2	175	200	150	40"X32"X10"

Boiler/Burner Three Phase Enclosures with Blower VFD Control

Note: Fuse sizes assume that a Yaskawa or comparable brand VFD is being used to control the blower motor. If using other please notify SCC Inc. Fuses sizes may need to be adjusted to accommodate UL requirement.

Blower Motor HP	Blower Motor VFD Fuse Size (A)	Oil Pump HP	Oil Pump FLA (A)	Compressor Motor HP	Compressor Motor FLA (A)	Total FLA (A)	Main Disconnect Fuse LPJ (A)	Main Disconnect Size (A)	Independent Blower motor Fuse LPJ (A)	Enclosure Size
60	150	2	3.4	5	7.6	163	175	200	150	40"X32"X10"
60	150	2	3.4	7.5	11	166.4	175	200	150	40"X32"X10"
60	150	2	3.4	10	14	169.4	175	200	150	40"X32"X10"
60	150	2	3.4	15	21	176.4	175	200	150	40"X32"X10"
60	150	2	3.4	20	27	182.4	200	200	150	40"X32"X10"
60	150	3	4.8	0	0	156.8	175	200	150	40"X32"X10"
60	150	3	4.8	3	4.8	161.6	175	200	150	40"X32"X10"
60	150	3	4.8	5	7.6	164.4	175	200	150	40"X32"X10"
60	150	3	4.8	7.5	11	167.8	175	200	150	40"X32"X10"
60	150	3	4.8	10	14	170.8	175	200	150	40"X32"X10"
60	150	3	4.8	15	21	177.8	175	200	150	40"X32"X10"
60	150	3	4.8	20	27	183.8	200	200	150	40"X32"X10"
60	150	5	7.6	0	0	159.6	175	200	150	40"X32"X10"
60	150	5	7.6	3	4.8	164.4	175	200	150	40"X32"X10"
60	150	5	7.6	5	7.6	167.2	175	200	150	40"X32"X10"
60	150	5	7.6	7.5	11	170.6	175	200	150	40"X32"X10"
60	150	5	7.6	10	14	173.6	175	200	150	40"X32"X10"
60	150	5	7.6	15	21	180.6	200	200	150	40"X32"X10"
60	150	5	7.6	20	27	186.6	200	200	150	40"X32"X10"
75	175	0	0	0	0	177	175	200	Not Req'd	40"X32"X10"
75	175	0	0	3	4.8	181.8	200	200	175	40"X32"X10"
75	175	0	0	5	7.6	184.6	200	200	175	40"X32"X10"
75	175	0	0	7.5	11	188	200	200	175	40"X32"X10"
75	175	0	0	10	14	191	200	200	175	40"X32"X10"
75	175	0	0	15	21	198	200	200	175	40"X32"X10"
75	175	0	0	20	27	204	200	200	175	40"X32"X10"
75	175	0.5	1.1	0	0	178.1	175	200	Not Req'd	40"X32"X10"
75	175	0.5	1.1	3	4.8	182.9	200	200	175	40"X32"X10"
75	175	0.5	1.1	5	7.6	185.7	200	200	175	40"X32"X10"
75	175	0.5	1.1	7.5	11	189.1	200	200	175	40"X32"X10"
75	175	0.5	1.1	10	14	192.1	200	200	175	40"X32"X10"
75	175	0.5	1.1	15	21	199.1	200	200	175	40"X32"X10"
75	175	0.5	1.1	20	27	205.1	225	400	175	40"X40"X12"
75	175	0.75	1.6	0	0	178.6	175	200	Not Req'd	40"X32"X10"
75	175	0.75	1.6	3	4.8	183.4	200	200	175	40"X32"X10"
75	175	0.75	1.6	5	7.6	186.2	200	200	175	40"X32"X10"
75	175	0.75	1.6	7.5	11	189.6	200	200	175	40"X32"X10"
75	175	0.75	1.6	10	14	192.6	200	200	175	40"X32"X10"
75	175	0.75	1.6	15	21	199.6	200	200	175	40"X32"X10"
75	175	0.75	1.6	20	27	205.6	225	400	175	40"X40"X12"

Boiler/Burner Three Phase Enclosures with Blower VFD Control

Note: Fuse sizes assume that a Yaskawa or comparable brand VFD is being used to control the blower motor. If using other please notify SCC Inc. Fuses sizes may need to be adjusted to accommodate UL requirement.

Blower Motor HP	Blower Motor VFD Fuse Size (A)	Oil Pump HP	Oil Pump FLA (A)	Compressor Motor HP	Compressor Motor FLA (A)	Total FLA (A)	Main Disconnect Fuse LPJ (A)	Main Disconnect Size (A)	Independent Blower motor Fuse LPJ (A)	Enclosure Size
75	175	1	2.1	0	0	179.1	175	200	Not Req'd	40"X32"X10"
75	175	1	2.1	3	4.8	183.9	200	200	175	40"X32"X10"
75	175	1	2.1	5	7.6	186.7	200	200	175	40"X32"X10"
75	175	1	2.1	7.5	11	190.1	200	200	175	40"X32"X10"
75	175	1	2.1	10	14	193.1	200	200	175	40"X32"X10"
75	175	1	2.1	15	21	200.1	200	200	175	40"X32"X10"
75	175	1	2.1	20	27	206.1	225	400	175	40"X40"X12"
75	175	1.5	3	0	0	180	175	200	Not Req'd	40"X32"X10"
75	175	1.5	3	3	4.8	184.8	200	200	175	40"X32"X10"
75	175	1.5	3	5	7.6	187.6	200	200	175	40"X32"X10"
75	175	1.5	3	7.5	11	191	200	200	175	40"X32"X10"
75	175	1.5	3	10	14	194	200	200	175	40"X32"X10"
75	175	1.5	3	15	21	201	200	200	175	40"X32"X10"
75	175	1.5	3	20	27	207	225	400	175	40"X40"X12"
75	175	2	3.4	0	0	180.4	200	200	175	40"X32"X10"
75	175	2	3.4	3	4.8	185.2	200	200	175	40"X32"X10"
75	175	2	3.4	5	7.6	188	200	200	175	40"X32"X10"
75	175	2	3.4	7.5	11	191.4	200	200	175	40"X32"X10"
75	175	2	3.4	10	14	194.4	200	200	175	40"X32"X10"
75	175	2	3.4	15	21	201.4	200	200	175	40"X32"X10"
75	175	2	3.4	20	27	207.4	225	400	175	40"X40"X12"
75	175	3	4.8	0	0	181.8	200	200	175	40"X32"X10"
75	175	3	4.8	3	4.8	186.6	200	200	175	40"X32"X10"
75	175	3	4.8	5	7.6	189.4	200	200	175	40"X32"X10"
75	175	3	4.8	7.5	11	192.8	200	200	175	40"X32"X10"
75	175	3	4.8	10	14	195.8	200	200	175	40"X32"X10"
75	175	3	4.8	15	21	202.8	200	200	175	40"X32"X10"
75	175	3	4.8	20	27	208.8	225	400	175	40"X40"X12"
75	175	5	7.6	0	0	184.6	200	200	175	40"X32"X10"
75	175	5	7.6	3	4.8	189.4	200	200	175	40"X32"X10"
75	175	5	7.6	5	7.6	192.2	200	200	175	40"X32"X10"
75	175	5	7.6	7.5	11	195.6	200	200	175	40"X32"X10"
75	175	5	7.6	10	14	198.6	200	200	175	40"X32"X10"
75	175	5	7.6	15	21	205.6	225	400	175	40"X40"X12"
75	175	5	7.6	20	27	211.6	225	400	175	40"X40"X12"
100	225	0	0	0	0	227	225	400	Not Req'd	40"X40"X12"
100	225	0	0	3	4.8	231.8	250	400	225	40"X40"X12"
100	225	0	0	5	7.6	234.6	250	400	225	40"X40"X12"
100	225	0	0	7.5	11	238	250	400	225	40"X40"X12"
100	225	0	0	10	14	241	250	400	225	40"X40"X12"

Boiler/Burner Three Phase Enclosures with Blower VFD Control

Note: Fuse sizes assume that a Yaskawa or comparable brand VFD is being used to control the blower motor. If using other please notify SCC Inc. Fuses sizes may need to be adjusted to accommodate UL requirement.

Blower Motor HP	Blower Motor VFD Fuse Size (A)	Oil Pump HP	Oil Pump FLA (A)	Compressor Motor HP	Compressor Motor FLA (A)	Total FLA (A)	Main Disconnect Fuse LPJ (A)	Main Disconnect Size (A)	Independent Blower motor Fuse LPJ (A)	Enclosure Size
100	225	0	0	15	21	248	250	400	225	40"X40"X12"
100	225	0	0	20	27	254	250	400	225	40"X40"X12"
100	225	0.5	1.1	0	0	228.1	225	400	Not Req'd	40"X40"X12"
100	225	0.5	1.1	3	4.8	232.9	250	400	225	40"X40"X12"
100	225	0.5	1.1	5	7.6	235.7	250	400	225	40"X40"X12"
100	225	0.5	1.1	7.5	11	239.1	250	400	225	40"X40"X12"
100	225	0.5	1.1	10	14	242.1	250	400	225	40"X40"X12"
100	225	0.5	1.1	15	21	249.1	250	400	225	40"X40"X12"
100	225	0.5	1.1	20	27	255.1	300	400	225	40"X40"X12"
100	225	0.75	1.6	0	0	228.6	225	400	Not Req'd	40"X40"X12"
100	225	0.75	1.6	3	4.8	233.4	250	400	225	40"X40"X12"
100	225	0.75	1.6	5	7.6	236.2	250	400	225	40"X40"X12"
100	225	0.75	1.6	7.5	11	239.6	250	400	225	40"X40"X12"
100	225	0.75	1.6	10	14	242.6	250	400	225	40"X40"X12"
100	225	0.75	1.6	15	21	249.6	250	400	225	40"X40"X12"
100	225	0.75	1.6	20	27	255.6	300	400	225	40"X40"X12"
100	225	1	2.1	0	0	229.1	225	400	Not Req'd	40"X40"X12"
100	225	1	2.1	3	4.8	233.9	250	400	225	40"X40"X12"
100	225	1	2.1	5	7.6	236.7	250	400	225	40"X40"X12"
100	225	1	2.1	7.5	11	240.1	250	400	225	40"X40"X12"
100	225	1	2.1	10	14	243.1	250	400	225	40"X40"X12"
100	225	1	2.1	15	21	250.1	250	400	225	40"X40"X12"
100	225	1	2.1	20	27	256.1	300	400	225	40"X40"X12"
100	225	1.5	3	0	0	230	225	400	Not Req'd	40"X40"X12"
100	225	1.5	3	3	4.8	234.8	250	400	225	40"X40"X12"
100	225	1.5	3	5	7.6	237.6	250	400	225	40"X40"X12"
100	225	1.5	3	7.5	11	241	250	400	225	40"X40"X12"
100	225	1.5	3	10	14	244	250	400	225	40"X40"X12"
100	225	1.5	3	15	21	251	250	400	225	40"X40"X12"
100	225	1.5	3	20	27	257	300	400	225	40"X40"X12"
100	225	2	3.4	0	0	230.4	250	400	225	40"X40"X12"
100	225	2	3.4	3	4.8	235.2	250	400	225	40"X40"X12"
100	225	2	3.4	5	7.6	238	250	400	225	40"X40"X12"
100	225	2	3.4	7.5	11	241.4	250	400	225	40"X40"X12"
100	225	2	3.4	10	14	244.4	250	400	225	40"X40"X12"
100	225	2	3.4	15	21	251.4	250	400	225	40"X40"X12"
100	225	2	3.4	20	27	257.4	300	400	225	40"X40"X12"
100	225	3	4.8	0	0	231.8	250	400	225	40"X40"X12"
100	225	3	4.8	3	4.8	236.6	250	400	225	40"X40"X12"
100	225	3	4.8	5	7.6	239.4	250	400	225	40"X40"X12"

Boiler/Burner Three Phase Enclosures with Blower VFD Control

Note: Fuse sizes assume that a Yaskawa or comparable brand VFD is being used to control the blower motor. If using other please notify SCC Inc. Fuses sizes may need to be adjusted to accommodate UL requirement.

Blower Motor HP	Blower Motor VFD Fuse Size (A)	Oil Pump HP	Oil Pump FLA (A)	Compressor Motor HP	Compressor Motor FLA (A)	Total FLA (A)	Main Disconnect Fuse LPJ (A)	Main Disconnect Size (A)	Independent Blower motor Fuse LPJ (A)	Enclosure Size
100	225	3	4.8	7.5	11	242.8	250	400	225	40"X40"X12"
100	225	3	4.8	10	14	245.8	250	400	225	40"X40"X12"
100	225	3	4.8	15	21	252.8	250	400	225	40"X40"X12"
100	225	3	4.8	20	27	258.8	300	400	225	40"X40"X12"
100	225	5	7.6	0	0	234.6	250	400	225	40"X40"X12"
100	225	5	7.6	3	4.8	239.4	250	400	225	40"X40"X12"
100	225	5	7.6	5	7.6	242.2	250	400	225	40"X40"X12"
100	225	5	7.6	7.5	11	245.6	250	400	225	40"X40"X12"
100	225	5	7.6	10	14	248.6	250	400	225	40"X40"X12"
100	225	5	7.6	15	21	255.6	300	400	225	40"X40"X12"
100	225	5	7.6	20	27	261.6	300	400	225	40"X40"X12"
125	250	0	0	0	0	252	250	400	Not Req'd	40"X40"X12"
125	250	0	0	3	4.8	256.8	300	400	250	40"X40"X12"
125	250	0	0	5	7.6	259.6	300	400	250	40"X40"X12"
125	250	0	0	7.5	11	263	300	400	250	40"X40"X12"
125	250	0	0	10	14	266	300	400	250	40"X40"X12"
125	250	0	0	15	21	273	300	400	250	40"X40"X12"
125	250	0	0	20	27	279	300	400	250	40"X40"X12"
125	250	0.5	1.1	0	0	253.1	250	400	Not Req'd	40"X40"X12"
125	250	0.5	1.1	3	4.8	257.9	300	400	250	40"X40"X12"
125	250	0.5	1.1	5	7.6	260.7	300	400	250	40"X40"X12"
125	250	0.5	1.1	7.5	11	264.1	300	400	250	40"X40"X12"
125	250	0.5	1.1	10	14	267.1	300	400	250	40"X40"X12"
125	250	0.5	1.1	15	21	274.1	300	400	250	40"X40"X12"
125	250	0.5	1.1	20	27	280.1	300	400	250	40"X40"X12"
125	250	0.75	1.6	0	0	253.6	250	400	Not Req'd	40"X40"X12"
125	250	0.75	1.6	3	4.8	258.4	300	400	250	40"X40"X12"
125	250	0.75	1.6	5	7.6	261.2	300	400	250	40"X40"X12"
125	250	0.75	1.6	7.5	11	264.6	300	400	250	40"X40"X12"
125	250	0.75	1.6	10	14	267.6	300	400	250	40"X40"X12"
125	250	0.75	1.6	15	21	274.6	300	400	250	40"X40"X12"
125	250	0.75	1.6	20	27	280.6	300	400	250	40"X40"X12"
125	250	1	2.1	0	0	254.1	250	400	Not Req'd	40"X40"X12"
125	250	1	2.1	3	4.8	258.9	300	400	250	40"X40"X12"
125	250	1	2.1	5	7.6	261.7	300	400	250	40"X40"X12"
125	250	1	2.1	7.5	11	265.1	300	400	250	40"X40"X12"
125	250	1	2.1	10	14	268.1	300	400	250	40"X40"X12"
125	250	1	2.1	15	21	275.1	300	400	250	40"X40"X12"
125	250	1	2.1	20	27	281.1	300	400	250	40"X40"X12"
125	250	1.5	3	0	0	255	250	400	Not Req'd	40"X40"X12"

Boiler/Burner Three Phase Enclosures with Blower VFD Control

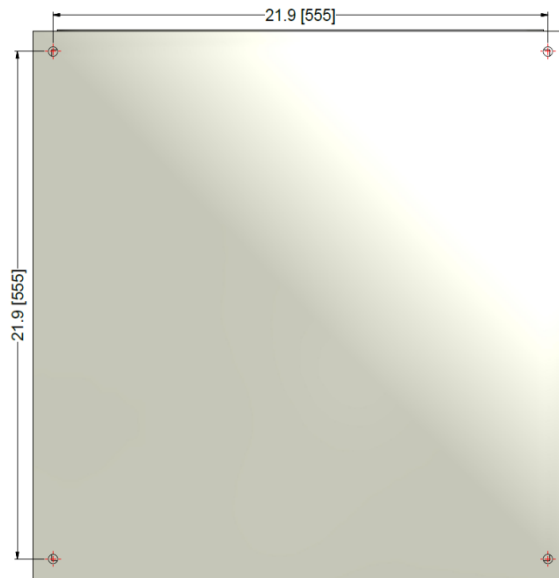
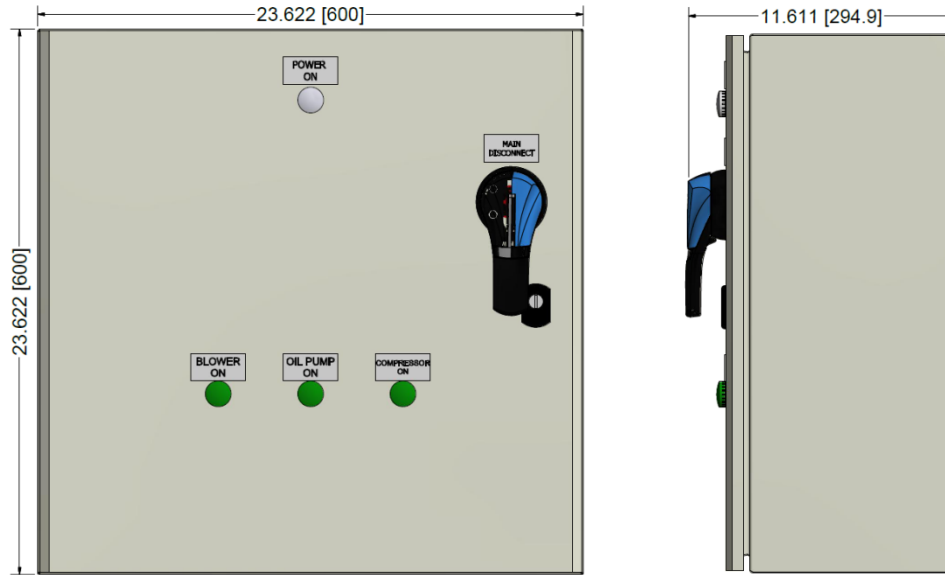
Note: Fuse sizes assume that a Yaskawa or comparable brand VFD is being used to control the blower motor. If using other please notify SCC Inc. Fuses sizes may need to be adjusted to accommodate UL requirement.

Blower Motor HP	Blower Motor VFD Fuse Size (A)	Oil Pump HP	Oil Pump FLA (A)	Compressor Motor HP	Compressor Motor FLA (A)	Total FLA (A)	Main Disconnect Fuse LPJ (A)	Main Disconnect Size (A)	Independent Blower motor Fuse LPJ (A)	Enclosure Size
125	250	1.5	3	3	4.8	259.8	300	400	250	40"X40"X12"
125	250	1.5	3	5	7.6	262.6	300	400	250	40"X40"X12"
125	250	1.5	3	7.5	11	266	300	400	250	40"X40"X12"
125	250	1.5	3	10	14	269	300	400	250	40"X40"X12"
125	250	1.5	3	15	21	276	300	400	250	40"X40"X12"
125	250	1.5	3	20	27	282	300	400	250	40"X40"X12"
125	250	2	3.4	0	0	255.4	300	400	250	40"X40"X12"
125	250	2	3.4	3	4.8	260.2	300	400	250	40"X40"X12"
125	250	2	3.4	5	7.6	263	300	400	250	40"X40"X12"
125	250	2	3.4	7.5	11	266.4	300	400	250	40"X40"X12"
125	250	2	3.4	10	14	269.4	300	400	250	40"X40"X12"
125	250	2	3.4	15	21	276.4	300	400	250	40"X40"X12"
125	250	2	3.4	20	27	282.4	300	400	250	40"X40"X12"
125	250	3	4.8	0	0	256.8	300	400	250	40"X40"X12"
125	250	3	4.8	3	4.8	261.6	300	400	250	40"X40"X12"
125	250	3	4.8	5	7.6	264.4	300	400	250	40"X40"X12"
125	250	3	4.8	7.5	11	267.8	300	400	250	40"X40"X12"
125	250	3	4.8	10	14	270.8	300	400	250	40"X40"X12"
125	250	3	4.8	15	21	277.8	300	400	250	40"X40"X12"
125	250	3	4.8	20	27	283.8	300	400	250	40"X40"X12"
125	250	5	7.6	0	0	259.6	300	400	250	40"X40"X12"
125	250	5	7.6	3	4.8	264.4	300	400	250	40"X40"X12"
125	250	5	7.6	5	7.6	267.2	300	400	250	40"X40"X12"
125	250	5	7.6	7.5	11	270.6	300	400	250	40"X40"X12"
125	250	5	7.6	10	14	273.6	300	400	250	40"X40"X12"
125	250	5	7.6	15	21	280.6	300	400	250	40"X40"X12"
125	250	5	7.6	20	27	286.6	300	400	250	40"X40"X12"

Dimensions

Dimensions in inches; millimeters in brackets

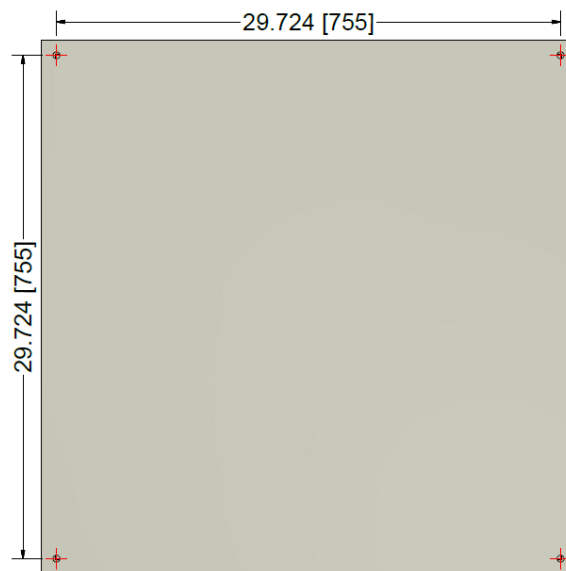
24" x 24" x 10" Combustion Enclosure



Dimensions (continued)

Dimensions in inches; millimeters in brackets

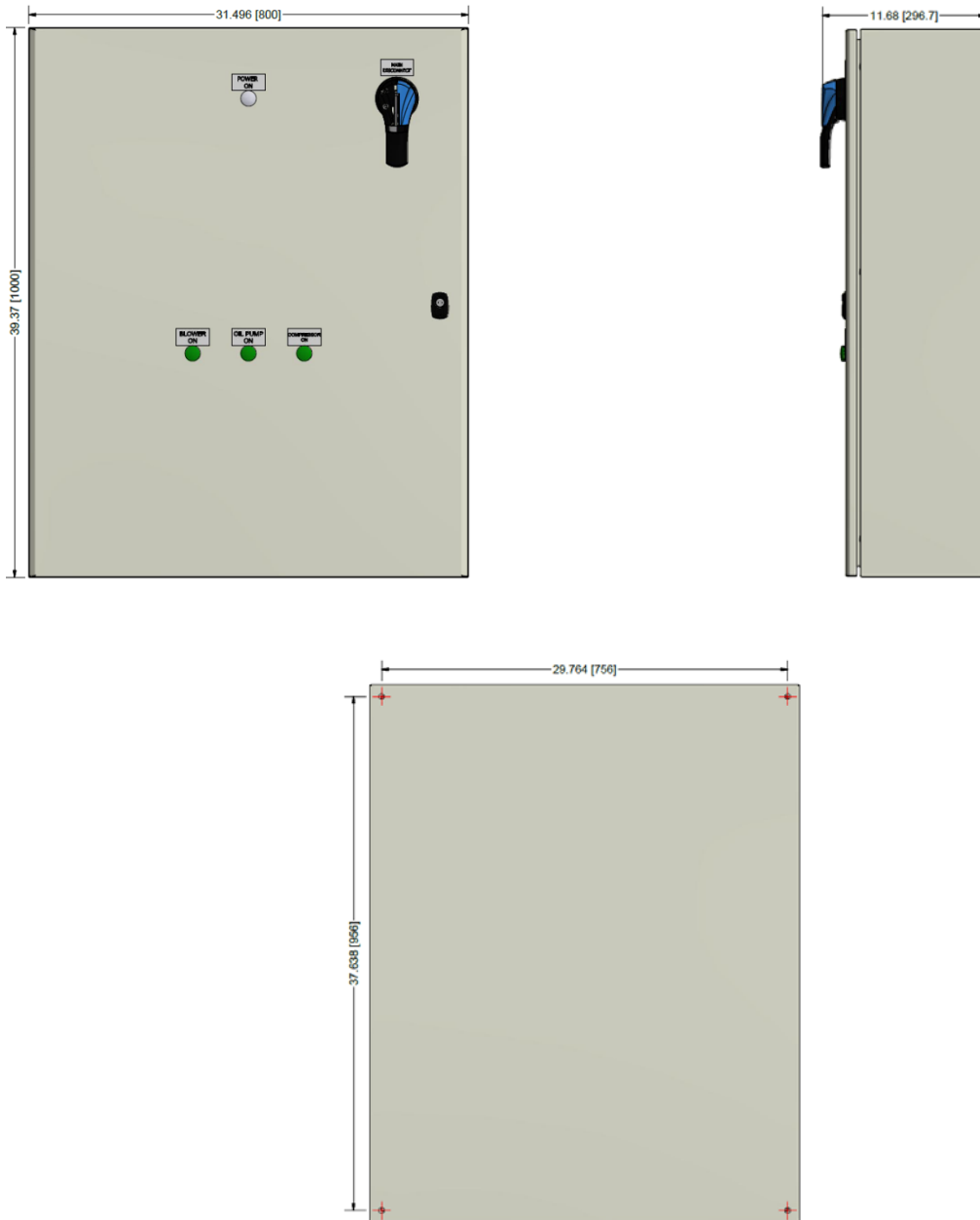
32" x 32" x 10" Combustion Enclosure



Dimensions (continued)

Dimensions in inches; millimeters in brackets

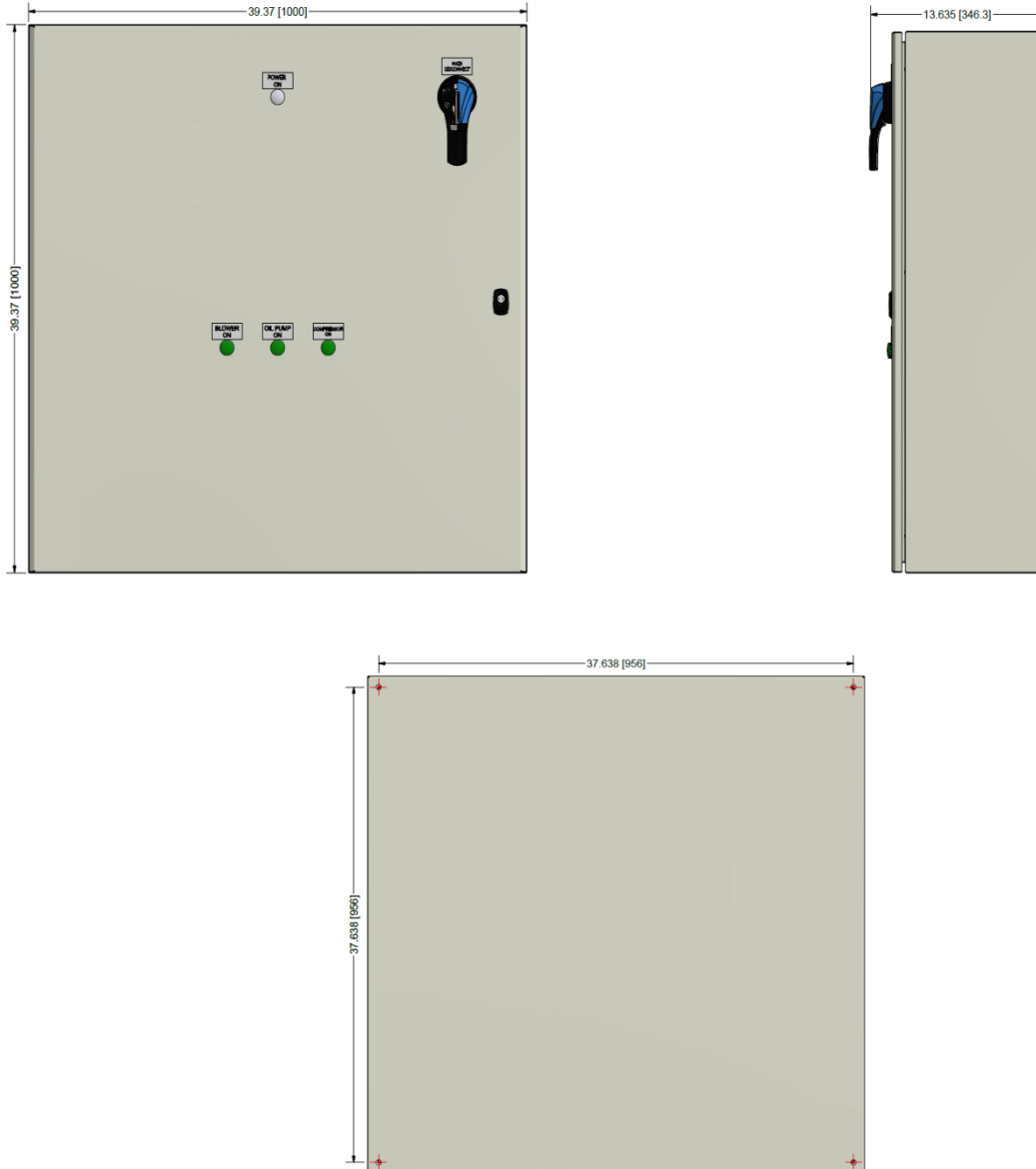
40" x 32" x 10" Combustion Enclosure



Dimensions (continued)

Dimensions in inches; millimeters in brackets

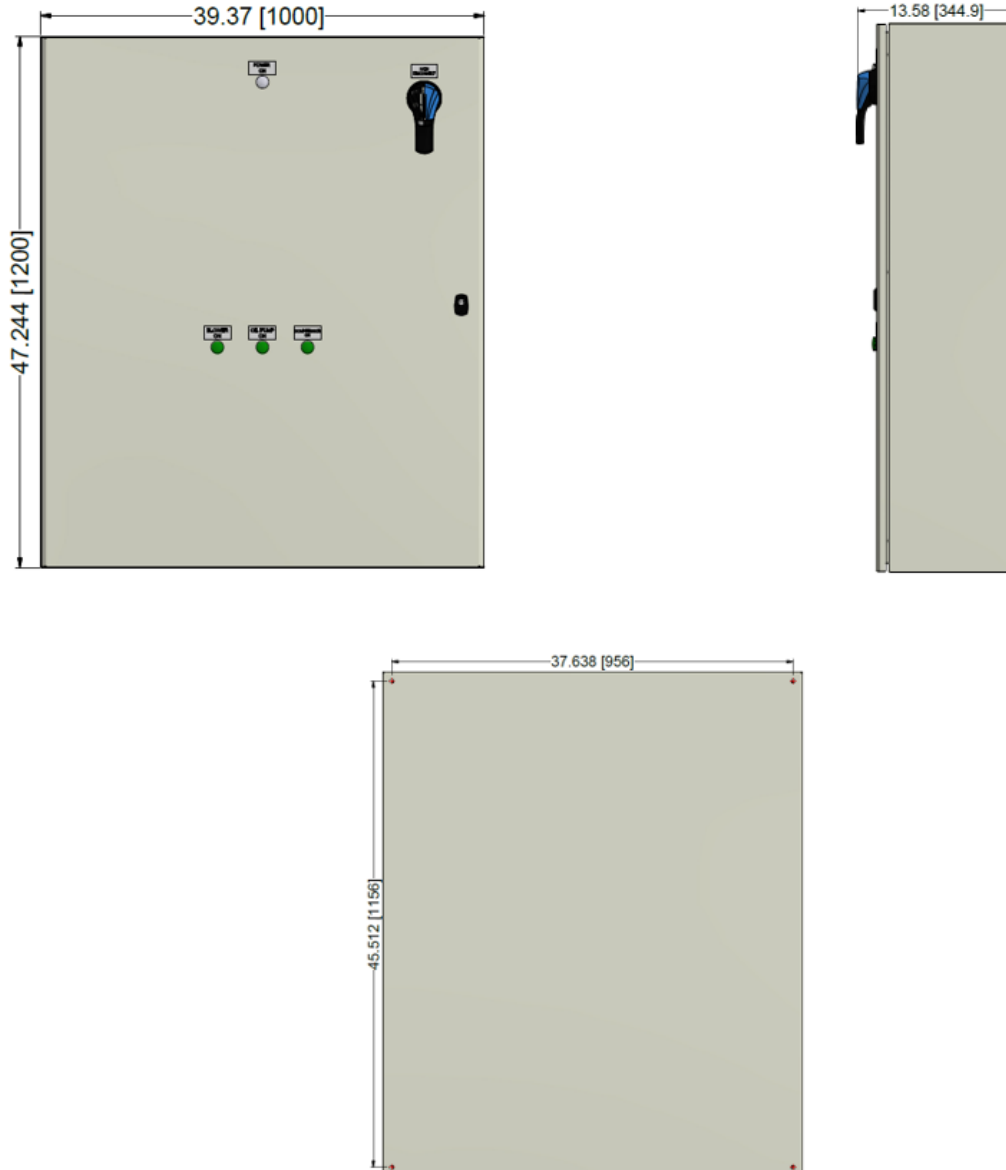
40" x 40" x 12" Combustion Enclosure



Dimensions (continued)

Dimensions in inches; millimeters in brackets

47" x 40" x 12" Combustion Enclosure



Information in this publication is based on current specifications. The company reserves the right to make changes in specifications and models as design improvements are introduced. Product or company names mentioned herein may be the trademarks of their respective owners. © 2009 SCC Inc.