

DIGITAL TEMPERATURE INDICATOR MODEL-TTD



FEATURES

- Thermocouple Input
- 1% FS \pm 1 LSD Accuracy
- Shock & Vibration Resistance
- 0.56" 3 Digit LED Display
- Easy to Install
- Watertight Case
- Competitive Pricing
- Ambient Temperature Compensated
- F and C Scaling
- Screw Terminal Connections

Antunes Controls' Series TTD is a compact, solid state digital temperature indicator. Unit reads temperatures from + 50°F to 940°F or + 10°C to 530°C with a 1° resolution.

The series TTD uses either a type J or K thermocouple. The thermocouple sends a signal to an integrated circuit which is converted to a digital signal and displayed on a 3 digit LED display. The numerals are 1/2" high and 1/4" wide which makes the display easy to read from a dis-

tance. The entire unit is epoxy encapsulated making it watertight and very resistive to shock and vibration.

The unit is powered by 12Vac/DC. An optional transformer is available for 24Vac, 115Vac or 230Vac applications.

The unit fits into a 2.82" x 1.13" cut-out for easy installation. Display zero and span adjustments are on the back of the unit.

SPECIFICATIONS

SENSOR: Thermocouple (Type J or K)

NOTE: Ungrounded thermocouples are required when multiple controllers / indicators are used or if the transformer is grounded.

ACCURACY: 1% Full Scale \pm 1 LSD

AMBIENT OPERATING

TEMPERATURE: -30°F to 140°F
(-35°C to 60°C)

AMBIENT STORAGE

TEMPERATURE: -40°F to 180°F
(-40°C to 82°C)

POWER: 12 Vac/dc, 24 Vac/dc
Optional: 24 Vac, 115 Vac or
230 Vac with remote transformer

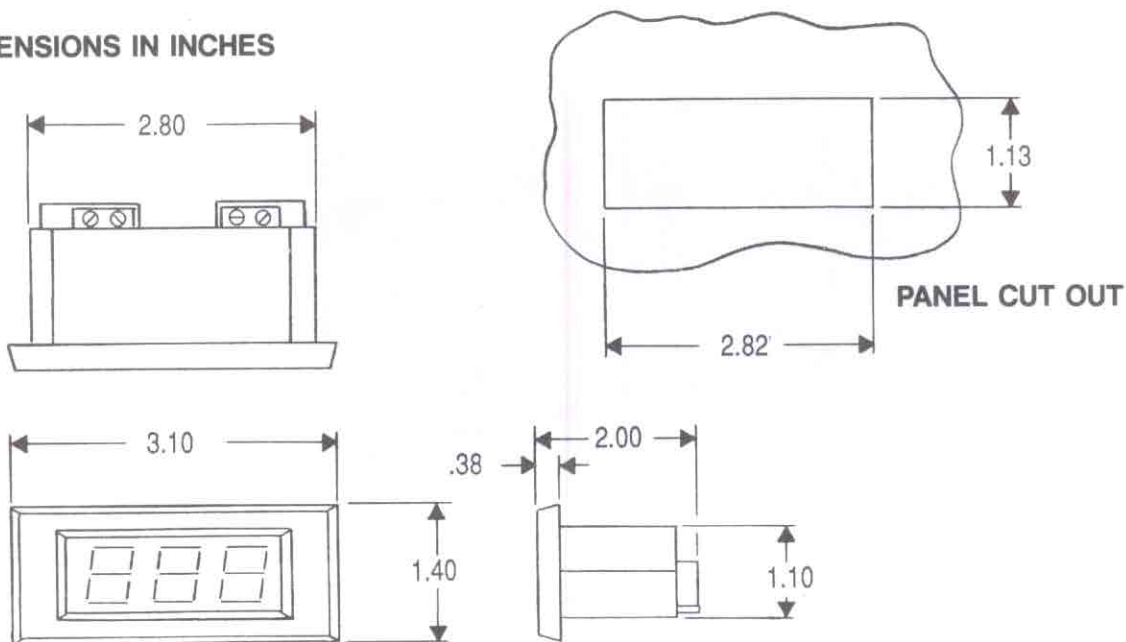
PACKAGE: Panel Mount
Epoxy Encapsulated

DISPLAY: 3 Digit LED (0.56" High)

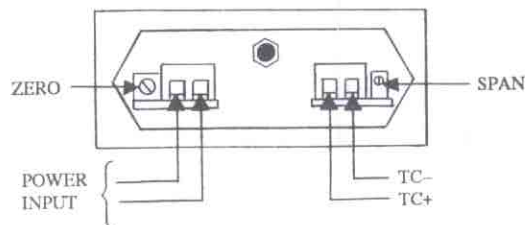
CONNECTIONS: Terminal - Strip (Clamping Action)

TEMPERATURE RANGE: 50° - 940°F
(10° - 530°C)

DIMENSIONS IN INCHES



WIRING DIAGRAM



AA ANTUNES CONTROLS

DIVISION OF A.J. ANTUNES & CO.

180 KEHOE BLVD. • CAROL STREAM, ILLINOIS 60188 • 630-784-1000 • 1-800-253-2991 • FAX NO. 630-784-1651
www.antunescontrols.com