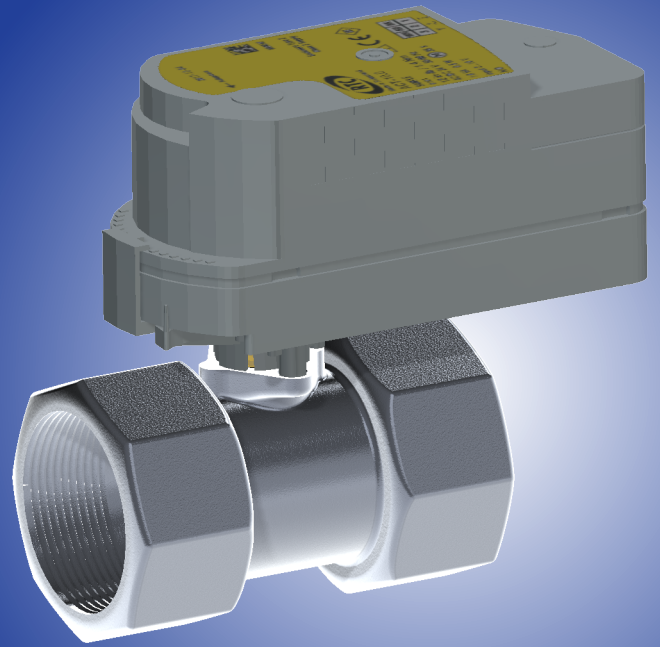


GAS MODULATION VALVE

RTC SV-SERIES

The **RTC SV-Series** Gas Modulation Valve utilizes a butterfly design that provides Versatility, Precision, and Reliability - all in a Compact, Cost-Effective package



VERSATILE

- ◆ For Use With Natural Gas or Propane
- ◆ Compact Design fits in small places
- ◆ Bi-Directional Flow capability
- ◆ Can be mounted Vertical, Horizontal, Upright, Sideways or Upside-Down
- ◆ 6 Sizes ranging from ½" to 2"
- ◆ Easy Snap On Actuator requires No Tools

RELIABLE

- ◆ Few Moving Parts and No Complex Seals or Gaskets
- ◆ Actuator developed in conjunction with a well known Leader in Actuation Technology
- ◆ Very Low Torque requirements to move the valve

EFFICIENT

- ◆ Less Restrictive
- ◆ Lower Pressure Drop
- ◆ Higher Flow Rates
- ◆ Low Fire Adjustment Requires No Tools

COST EFFECTIVE

- ◆ Low Acquisition Cost
- ◆ Backwards Compatibility
- ◆ One-Size-Fits-All Actuator
- ◆ Actuator and Valve are Independent Line Replaceable Units
- ◆ 2-10V Signal Requirement Eliminates need for signal conditioner

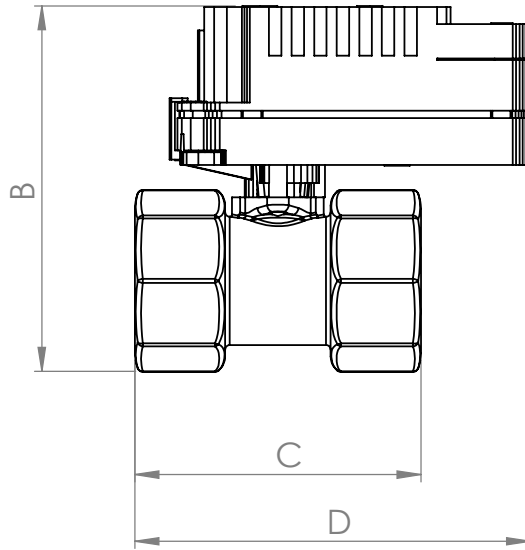
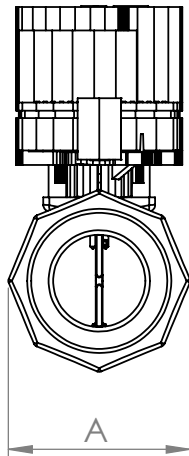
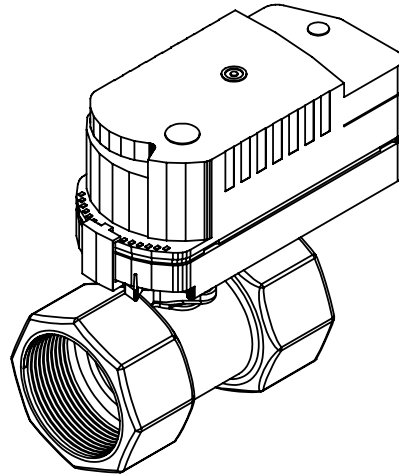
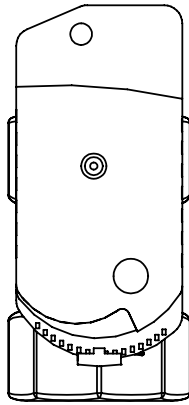
PRECISE

- ◆ Linear Throttle Response through a majority of the modulation range
- ◆ Shallow Slope on Throttle Response Curve results in more precise control
- ◆ Predictable and Consistent Throttle Response



GAS MODULATION VALVE

RTC SV-SERIES



DIMENSIONS

SIZE	PART NUMBER	A	B	C	D
1/2" Throat, 1/2" NPT	SV-1.2NN	1.30"	3.39"	2.54"	4.02"
1/2" Throat, 3/4" NPT	SV-3.4NN				
1" Throat, 1" NPT	SV-1.0NN	1.98"	3.98"	3.12"	4.31"
1" Throat, 1 1/4" NPT	SV-11.4NN				
1 1/2" Throat, 1 1/2" NPT	SV-11.2NN	2.79"	4.63"	3.87"	4.69"
1 1/2" Throat, 2" NPT	SV-2.0NN				

SV-SERIES Specifications

Power Requirements	24V AC/DC 50/60 Hz
Power Consumption	0.5W/2.5W
Control Input	2-10V
Operational Speed	2.57° per second
Transition Time	15 seconds
Ambient Operating Temperature	-40° to +65°C
Max Operating Pressure	5 psi

RTC Solutions
 4370 Oakes Road, Suite 700
 Davie Fl, 33314
 Ph. (877) 351-4702



SV-Series Valve Pressure Drop Chart

Model Number	SV-1.2NN	SV-3.4NN	SV-1.0NN	SV-11.4NN	SV-11.2NN	SV-2.0NN
Flow Rate(CFH)	Pressure Drop (inches w.c.)					
100	0.07	0.07	0	0		
150	0.16	0.16	0.01	0.01		
200	0.29	0.29	0.01	0.01		
250	0.45	0.45	0.02	0.02		
300	0.65	0.65	0.03	0.03		
350	0.88	0.88	0.03	0.03		
400	1.16	1.16	0.04	0.04		
450	1.46	1.46	0.06	0.06		
500	1.81	1.81	0.07	0.07		
550	2.18	2.18	0.08	0.08		
600	2.6	2.6	0.1	0.1		
650	3.05	3.05	0.12	0.12		
700	3.54	3.54	0.14	0.14		
750	4.06	4.06	0.16	0.16		
800	4.62	4.62	0.18	0.18		
850	5.22	5.22	0.2	0.2		
900	5.85	5.85	0.23	0.23	0.01	0.01
950	6.52	6.52	0.25	0.25	0.02	0.02
1000			0.28	0.28	0.02	0.02
1100			0.34	0.34	0.02	0.02
1200			0.4	0.4	0.03	0.03
1500			0.63	0.63	0.04	0.04
2000			1.12	1.12	0.07	0.07
2500			1.75	1.75	0.11	0.11
3000			2.52	2.52	0.16	0.16
3500					0.21	0.21
4000					0.28	0.28
5000					0.44	0.44
6000					0.63	0.63
7000					0.86	0.86
8000					1.12	1.12
9000					1.42	1.42
10000					1.75	1.75