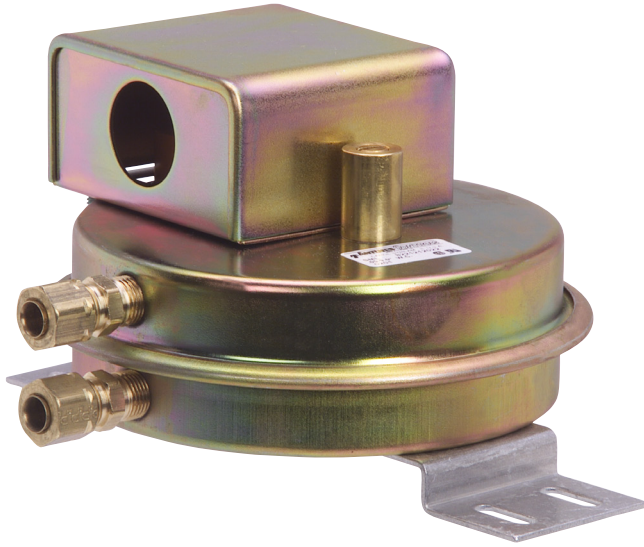


SML | Air Pressure Switches



SML

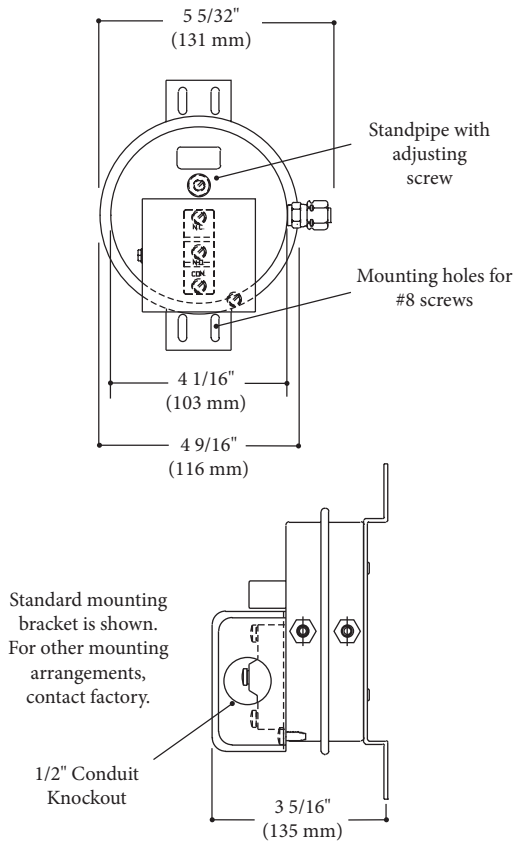
The SML air pressure switch features a sensitive diaphragm to detect changes in air pressure. Easy to install and reliable, this switch is available in two range scales and with an optional neon light indicator.

FEATURES

- Sensitive diaphragm.
- Snap-action electrical switch S.P.D.T. rated at 10 amps.
- Industrial combustion.
- Two range scales from .05" W.C. to a maximum of 9" W.C.
- Easy to install.
- Cost-effective pricing.

SML | Air Pressure Switches

Dimensions

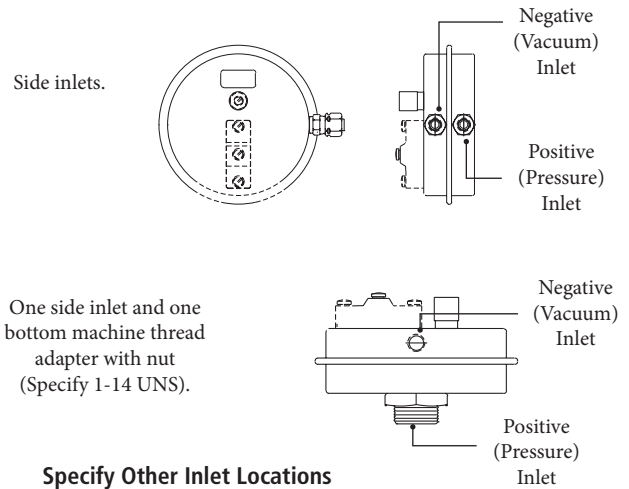


NOTE: Dimensions are for reference only.

Fittings/Options

- 1/4" Barb
- 1/4" Tube
- 1/4" Compression
- Option: Neon Light Indicator

Standard Inlet Locations (1/8" NPT Without Fittings)



Specifications

Electrical Ratings:

10A @ 125 VAC.; 8A @ 250 VAC.; 7A @ 277 VAC.;
1/8HP @ 125 VAC, 1/4HP @ 250 VAC
Pilot Duty, 125VA @ 125/277 VAC

Max. Surge Pressure: 20" W.C.

Max. Ambient Temperature: 170°F (77°C)

Min. Ambient Temperature: -40°F (-40°C)

Shipping Weight: 1 lb. (.45 kg)

Pressure switch purchases shall be governed by the terms located at www.antunes.com/terms.

P/N 1020377 Rev. C 09/16