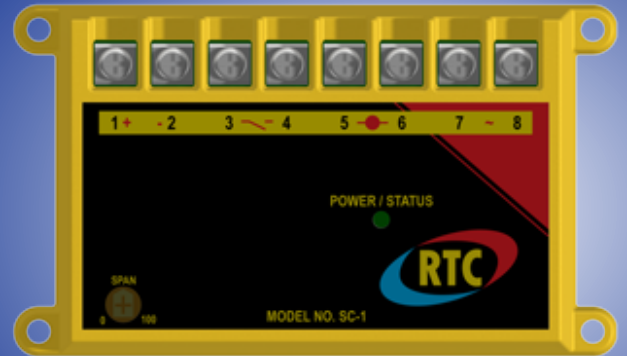


# SC-1

The **SC-1** is a microprocessor based control that provides a signal conversion from a 2-10V signal to drive a 24VDC Solenoid.



- Startup Delay
- Power Status LED
- 2-10VDC Signal Source
- 2 Modes of Operation
  - Valve Output Control Mode
  - Discharge Limit Control Mode
- Industry Standard Mounting

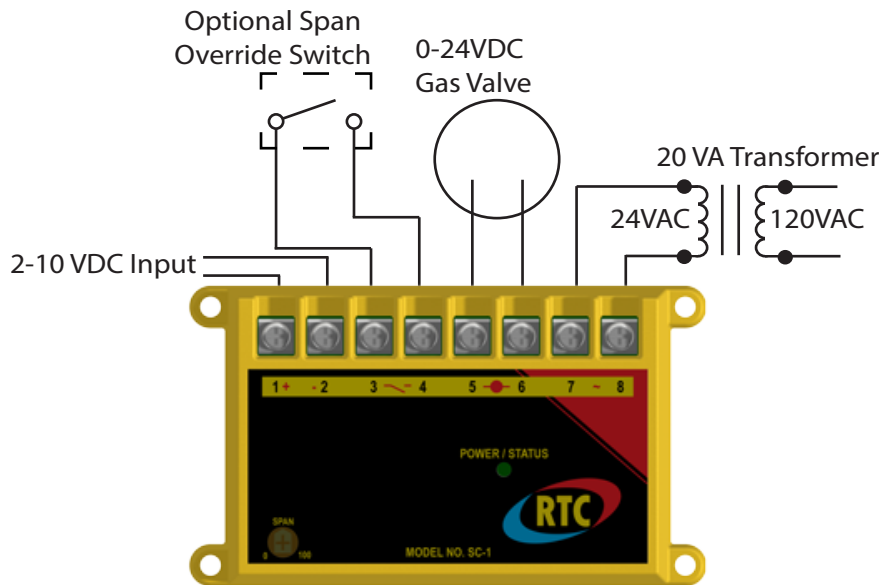
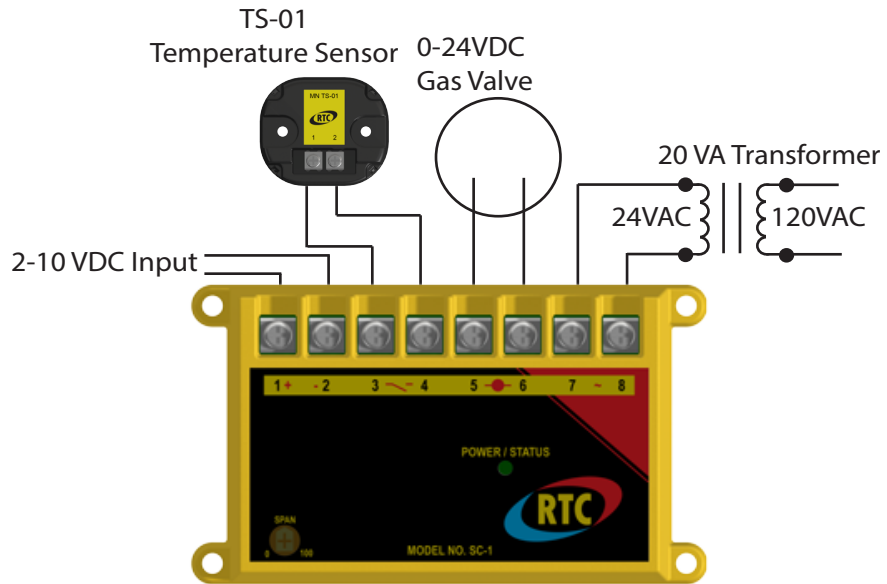
## Description

The SC-1 provides a signal conversion from a high impedance 2-10VDC signal source to drive a 24VDC solenoid. There are two modes the SC-1 can operate in. Valve Output Control Mode simply outputs a 0-24VDC signal to drive a solenoid valve directly proportional to the 2-10VDC input signal. In Discharge Limit Control Mode the SC-1 acts as a temperature control when used with a TS-01 Temperature Sensor.

## Suggested Specifications

The control should be powered by an isolated 24VAC transformer to drive up to a .5A DC Solenoid.

# SC-1



### SC-1 Specifications

Power Requirements	24VAC 50/60Hz 20V A Isolated Class II Transformer
DFC Ambient Temperature Limits	
Storage	-40°F -140°F (-40 - 60°C)
Operating	-40°F -140°F (-40 - 60°C)
Accuracy	40°F -250°F (4 - 121°C)