

RATIO Governor

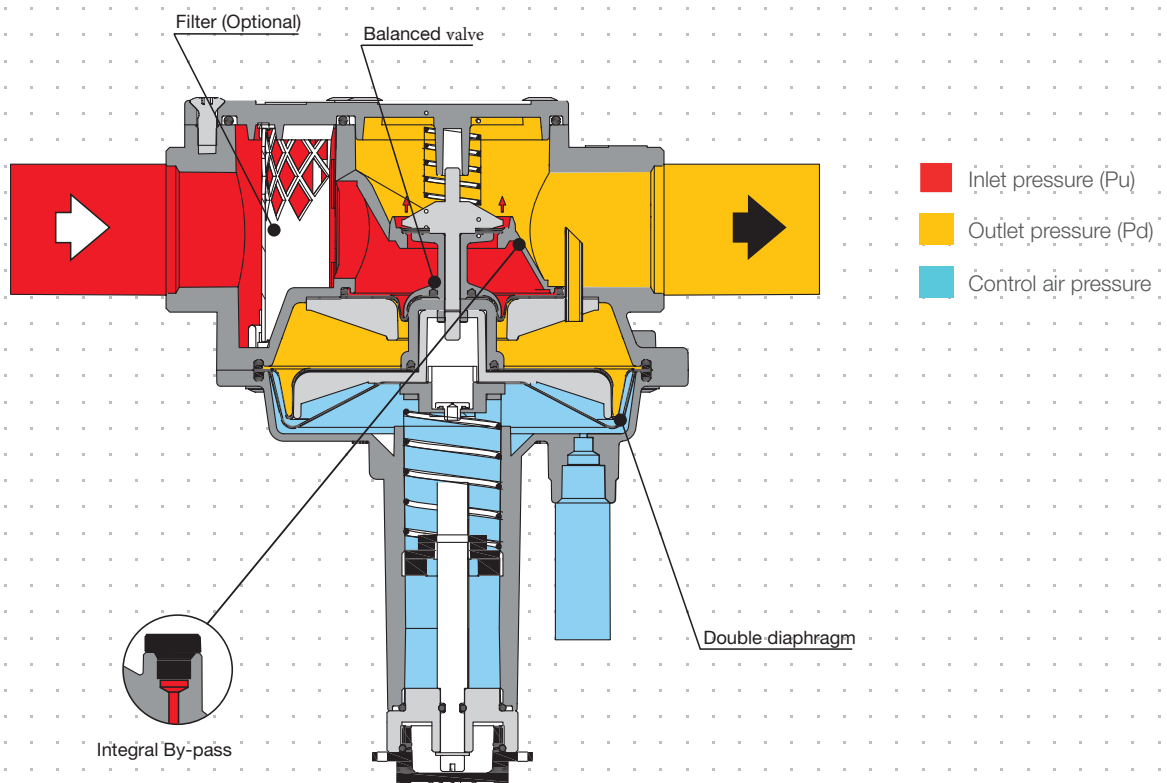
Air/gas ratio pressure regulators

Pietro Fiorentini's **RATIO Governor F3Z** series, are designed to comply with the **ANSI Z21.8** standard.

The **F3Z** family of regulators are ideal for all burner installations, nozzle mixers, mixing tees, and proportional pre-mixers. Their function is to regulate the pressure and to maintain constant the air/gas ratio.

The materials and soft parts used in the construction of the **RATIO Governor** regulators make them suitable for use with natural gas, LPG, city gas and all other non corrosive gases.

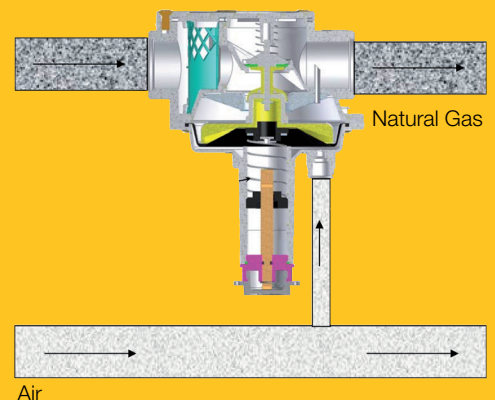
All the **F3Z** regulators are equipped with balanced valve design for high outlet pressure accuracy regardless of any inlet pressure variation. The double diaphragm provides added security in case of primary diaphragm failure.



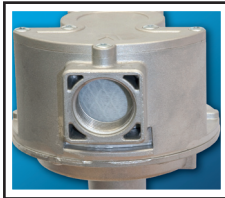
MAIN FEATURES

Air/gas ratio:	1:1
Design pressure :	14.5 PSIG
Max inlet pressure :	7.25 PSIG
Outlet pressure :	0.2 - 60.2" W.C.
Air pressure control :	.8 - 60.2" W.C.
Minimum ΔP between Pu and Pd :	8" W.C.
Ambient Temperature range :	14°F - 140°F
Filter :	Yes (OPTIONAL)
Air connection :	1/4" NPT
Nominal diameters :	1/2" - 3/4" - 1" - 1 1/4" -
Connections threaded :	1 1/2" - 2" NPT 2 1/2" - 3" - 4" ANSI 150RF

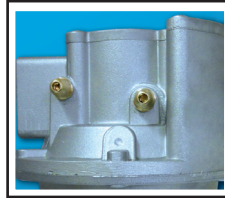
Air - Natural Gas Ratio Control



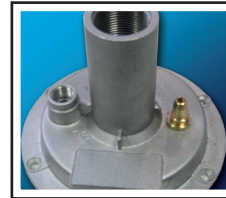
Options



Inlet filter

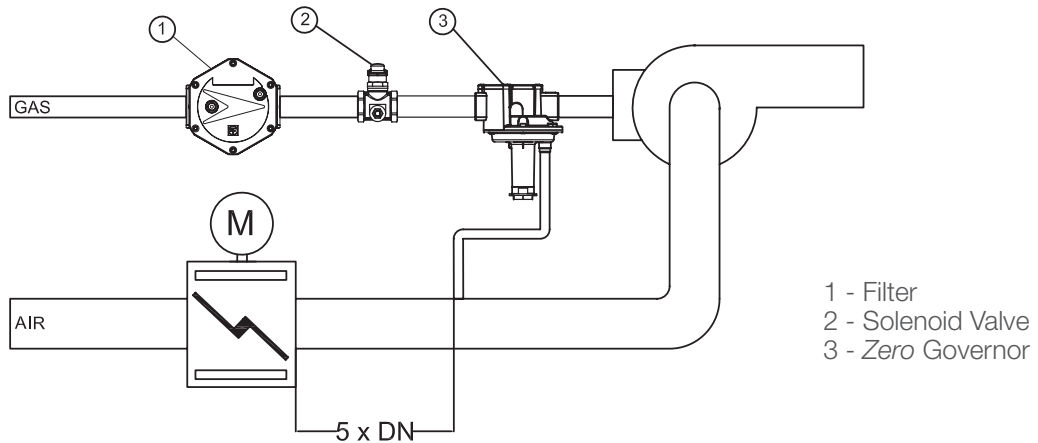


Gas inlet and outlet
test point



Air test point

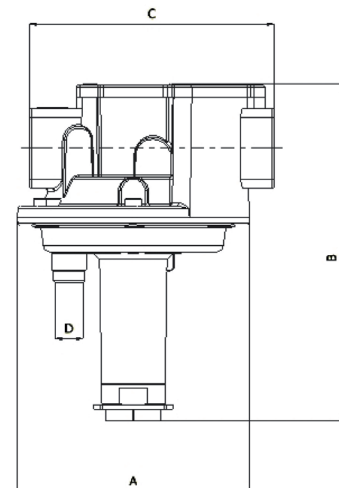
Typical installation



Weight (Lb.) and dimensions (inches)

ZERO GOVERNOR

MODEL	Rp/DN	A	B	C	D	Lb.
F3Z150	1/2"	4.96	7.28	5.27	Rp1/4"	3
F3Z151	3/4"	4.96	7.28	5.27	Rp1/4"	3
F3Z152	1"	4.96	7.28	5.27	Rp1/4"	3
F3Z153	1 1/4"	7.55	10.39	7.63	Rp1/2"	8.5
F3Z154	1 1/2"	7.55	10.39	7.63	Rp1/2"	8.5
F3Z155	2"	7.55	12.83	7.75	Rp1/2"	14
F3Z156	2 1/2"	12.59	17.32	16.92	Rp1/2"	30
F3Z157	3"	12.59	17.32	16.92	Rp1/2"	30
F3Z158	4"	12.59	17.32	16.92	Rp1/2"	30





Governors



Filters



Solenoid Valves



**Pietro
Fiorentini**

Pietro Fiorentini S.p.A.
4555 South Berkeley Lake Road
INorcross, GA 30071

Tel. 770-441-6400
Fax. 770-448-7312

Pietro Fiorentini S.p.A.
via E.Fermi 8/10
I-36057 Arcugnano (VI) Italy

The data are not binding. We reserve the right to make eventual changes without prior notice.

CT-s592-E 3-2015