

TS Series

TS... Protocol Converter Profinet or Profibus

For use with LMV3..., LMV5..., RWF..., and TS... Series Controls



Description

A TS... series protocol converter provides a flexible communication interface to the building management system (BMS) for streamlined data collection and monitoring.

Features

- Converts native Modbus/RTU to Profinet or Profibus
 - Data points for LMV3...
 - Data points for LMV5...
 - Data points for RWF...
 - Data points for TS Series Touchscreen Kit
 - Data points for TS Series Lead/Lag Master
 - Data points for TS Series Lead/Lag Master (from each boiler)
 - Data points for TS Series Deaerator/Surge Tank Master
- Allows simultaneous connection of up to 6 devices via serial connections and up to 12 devices via Ethernet Modbus TCP/IP connections

Application

TS... protocol converter kits are suited for applications with Profinet or Profibus BMS communication. All SCC products that communicate using Modbus/RTU are compatible.

Components

All TS... protocol converter kits include the following components:

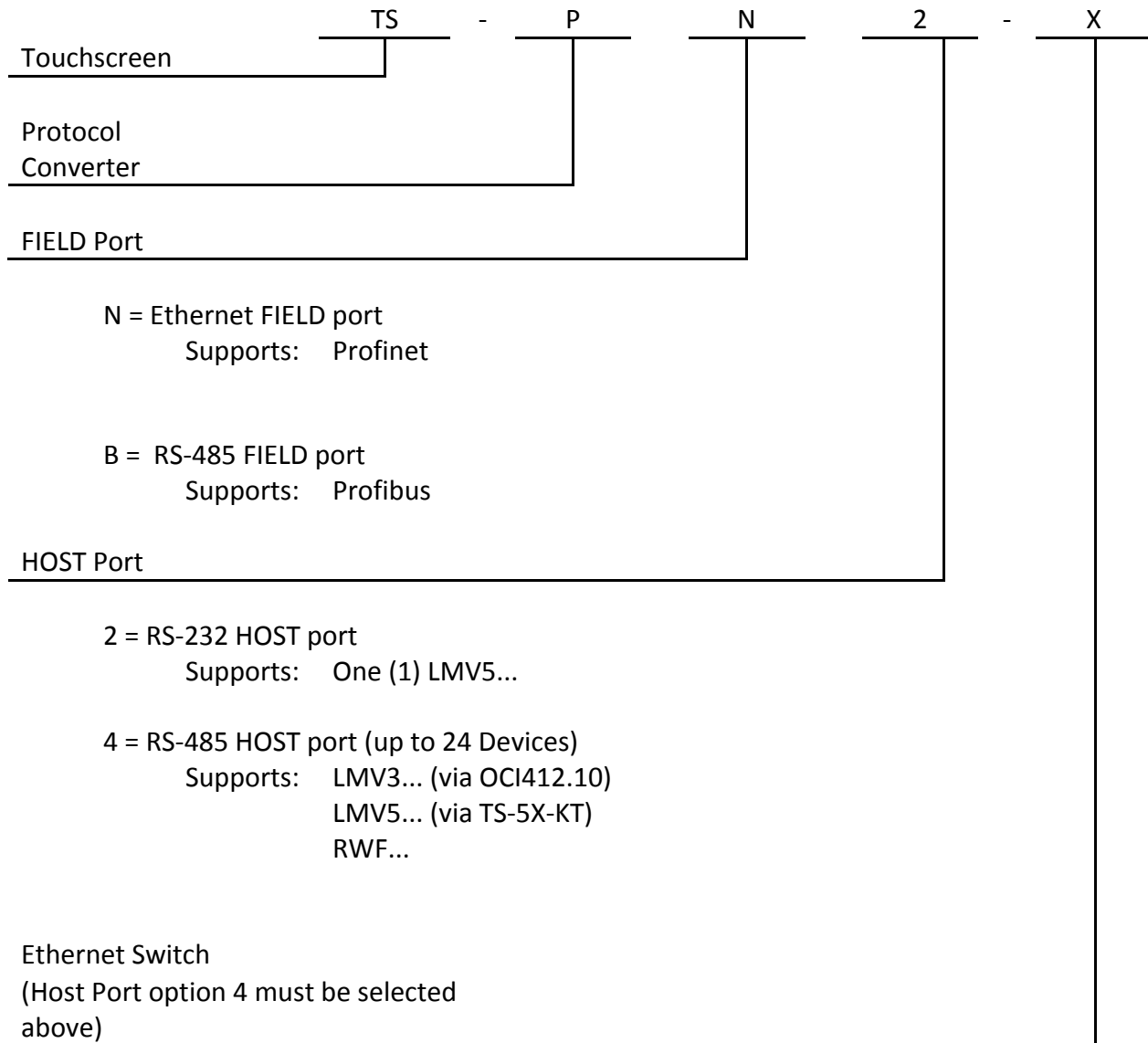
- Protocol converter module
- Plate kit including power supply and branch circuit protection
- Interconnect terminals for field wiring
- Field port for various protocols

The following options are also available:

- Host port for Modbus RTU RS-232
- Host port for Modbus RTU RS-485
- Ethernet switch to support up to 12 TS... series TCP/IP devices via Ethernet to BMS

Product Part Numbers

See Table 1 with available kits for protocol converter part number identification:



Supports all TS... series Lead/Lag Master Panels, Touchscreen Kits, Combustion Enclosures, and Deaerator/Surge Panels.

X = None included

3 = 5-port switch (up to 3 TS... series devices)

6 = 8-port switch (up to 6 TS... series devices)

9 = 13-port switch (up to 9 TS... series devices)

12 = 16-port switch (up to 12 TS... series devices)

Product Part Numbers (continued)

Table 1: TS... Protocol Converter Part Numbers

| Part Number | FIELD Port | | HOST Port | | Ethernet Switch | | | | |
|-------------|------------|----------|-----------|--------|-----------------|--------|--------|---------|---------|
| | Profinet | Profibus | RS-232 | RS-485 | None | 5-port | 8-port | 13-port | 16-port |
| TS-PN2-X | x | | x | | x | | | | |
| TS-PN4-X | x | | | x | x | | | | |
| TS-PN4-3 | x | | | x | | x | | | |
| TS-PN4-6 | x | | | x | | | x | | |
| TS-PN4-9 | x | | | x | | | | x | |
| TS-PN4-12 | x | | | x | | | | | x |
| TS-PB2-X | | x | x | | x | | | | |
| TS-PB4-X | | x | | x | x | | | | |
| TS-PB4-3 | | x | | x | | x | | | |
| TS-PB4-6 | | x | | x | | | x | | |
| TS-PB4-9 | | x | | x | | | | x | |
| TS-PB4-12 | | x | | x | | | | | x |

Specifications

| | | |
|--------------------------|-----------------------|----------------------------------|
| Physical characteristics | Operating voltage | 110-120 VAC |
| | Operating frequency | 50-60 Hz |
| | Processor power | 24 VDC |
| | Power consumption | 24 VA |
| Operating environment | Operating temperature | 32 to 131 °F [0 to 55 °C] |
| | Humidity | Max. 85% with no condensation |

Dimensions

TS-PN2-X

LMV5 Modbus RTU to: Profinet

TS-PB2-X

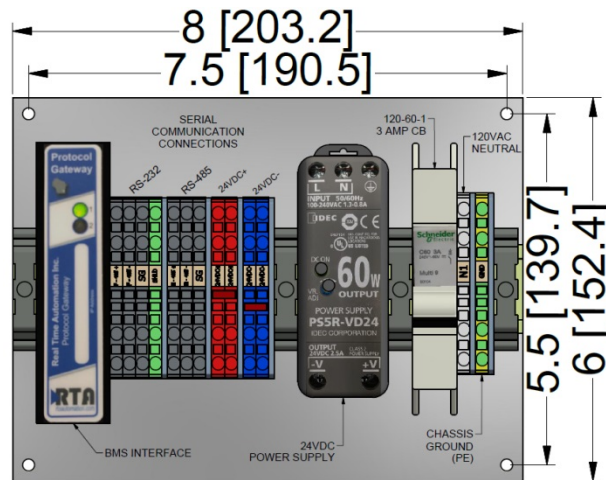
LMV5 Modbus RTU to: Profibus

TS-PN4-X

LMV3, LMV5, and/or RWF55 to: Profinet

TS-PB4-X

LMV3, LMV5, and/or RWF55 to: Profibus



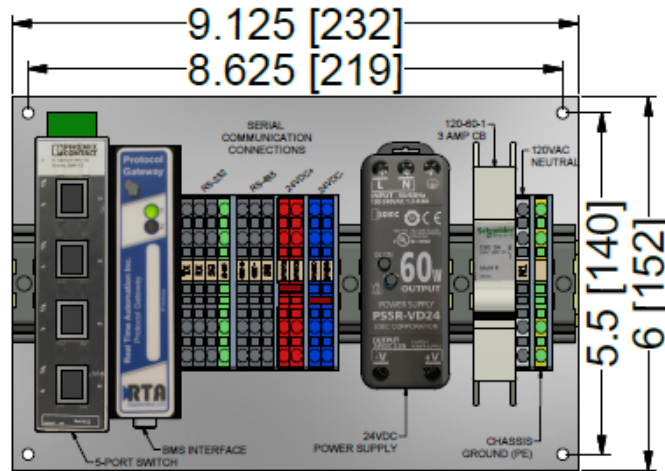
Dimensions (continued)

TS-PN4-3

Up to 3 TS...Series Modbus TCP/IP to: Profinet

TS-PB4-3

Up to 4 TS...Series Modbus TCP/IP to: Profibus

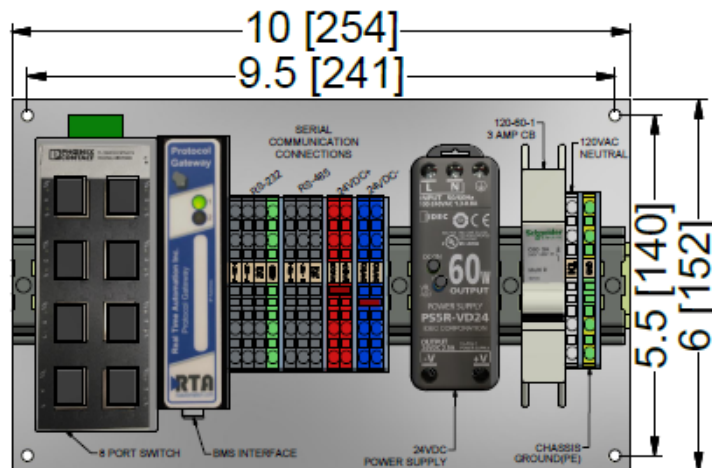


TS-PN4-6

Up to 6 TS... Series Modbus TCP/IP to: Profinet

TS-PB4-7

Up to 6 TS... Series Modbus TCP/IP to: Profibus



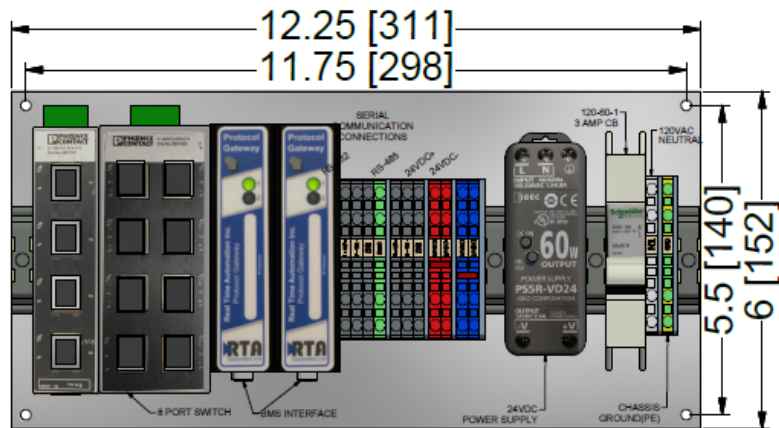
Dimensions (continued)

TS-PN4-9

Up to 9 TS... Series Modbus TCP/IP to: Profinet

TS-PB4-10

Up to 9 TS... Series Modbus TCP/IP to: Profibus

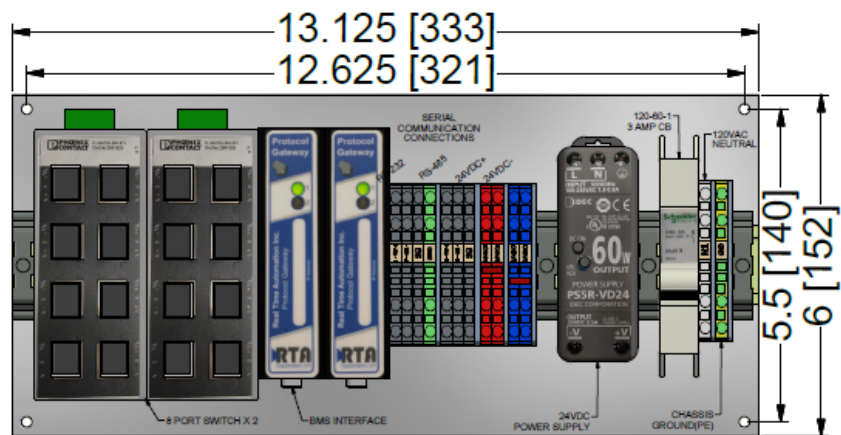


TS-PN4-12

Up to 12 TS... Series Modbus TCP/IP to: Profinet

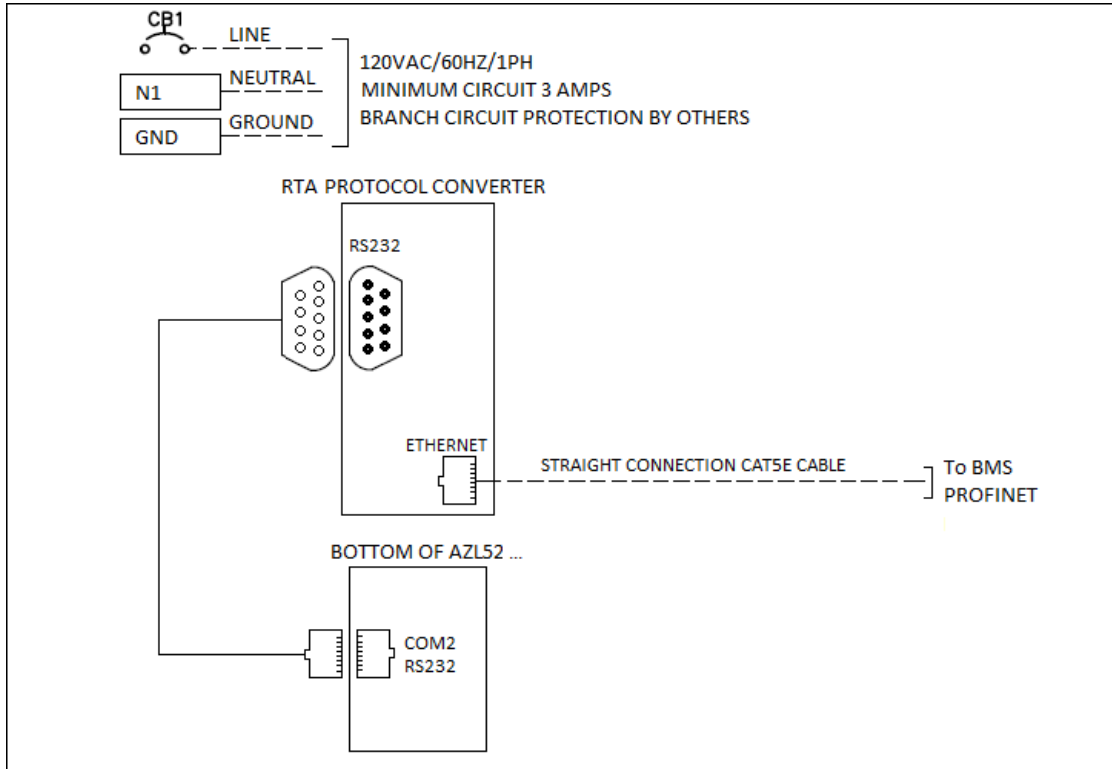
TS-PB4-13

Up to 12 TS... Series Modbus TCP/IP to: Profibus

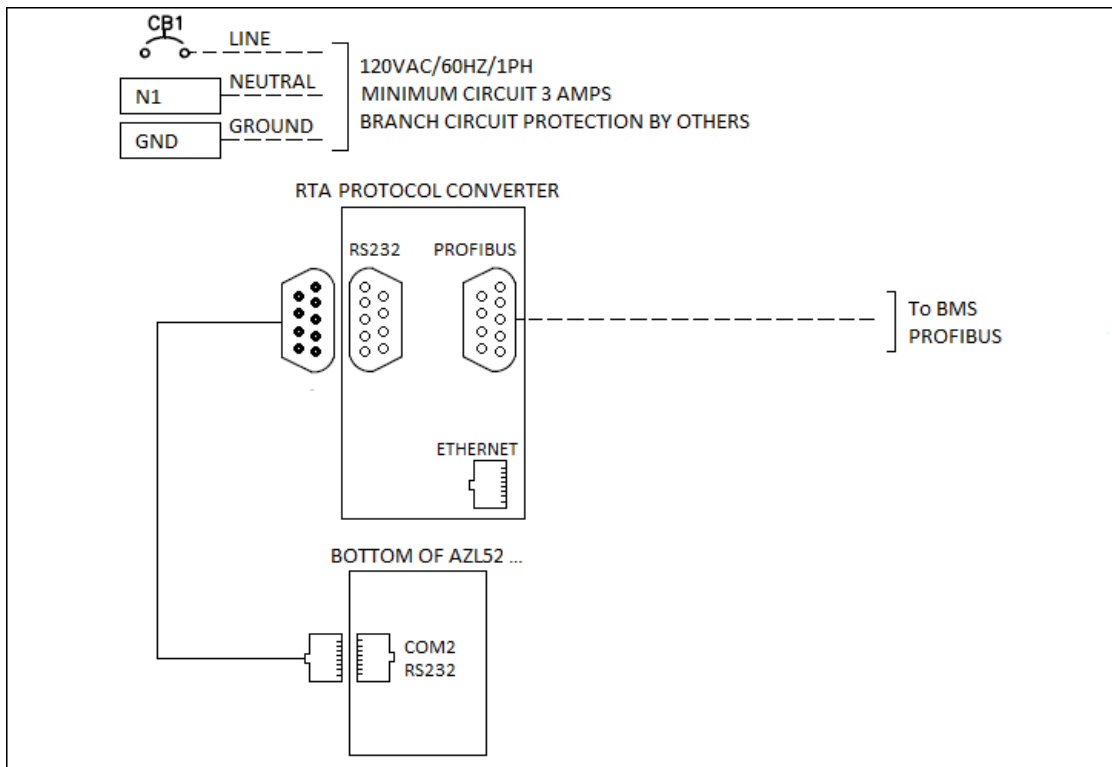


Connections

TS-PN2-X (AZL RS-232 to PROFINET)

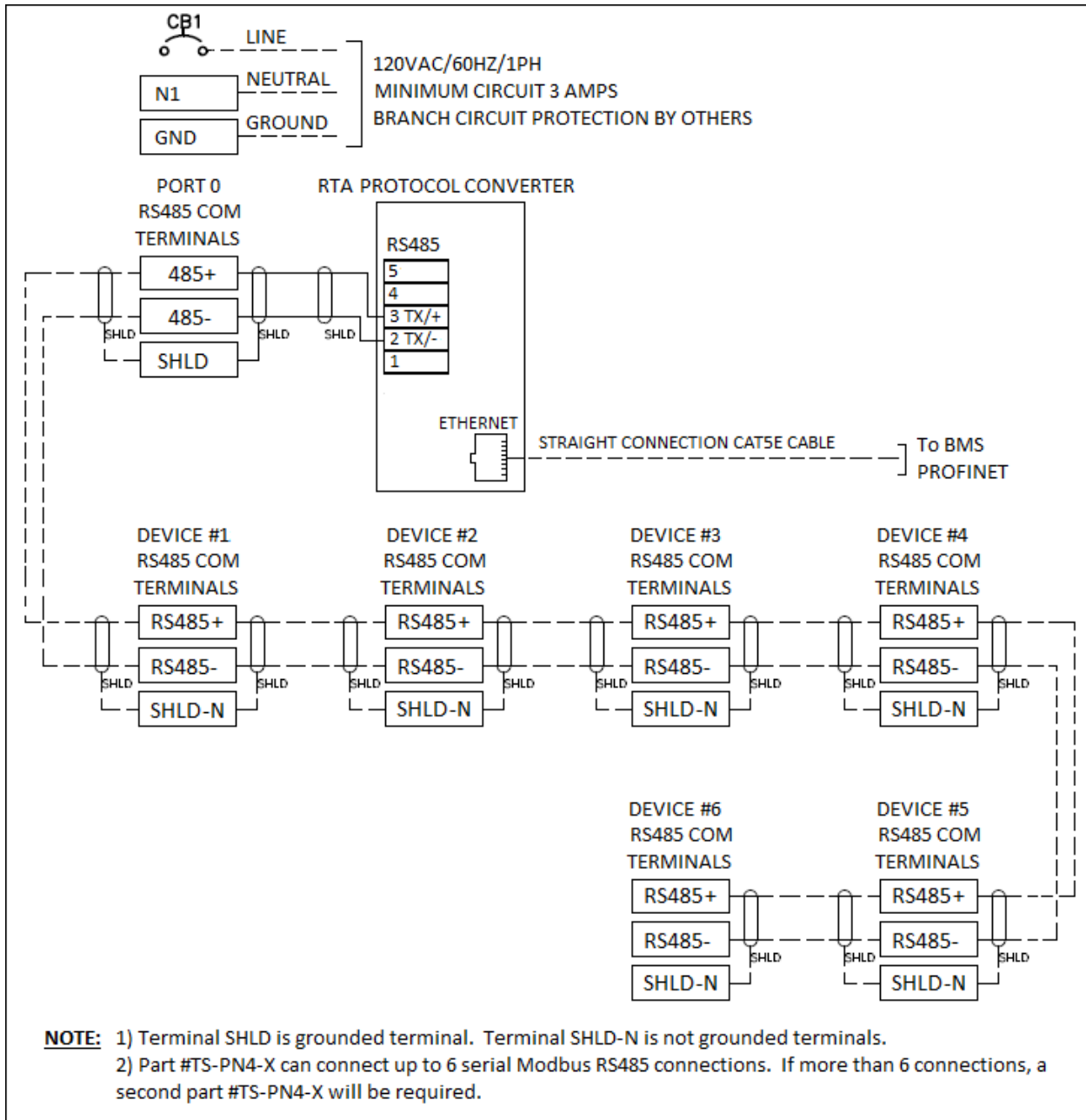


TS-PB2-X (AZL RS-232 to PROFIBUS)



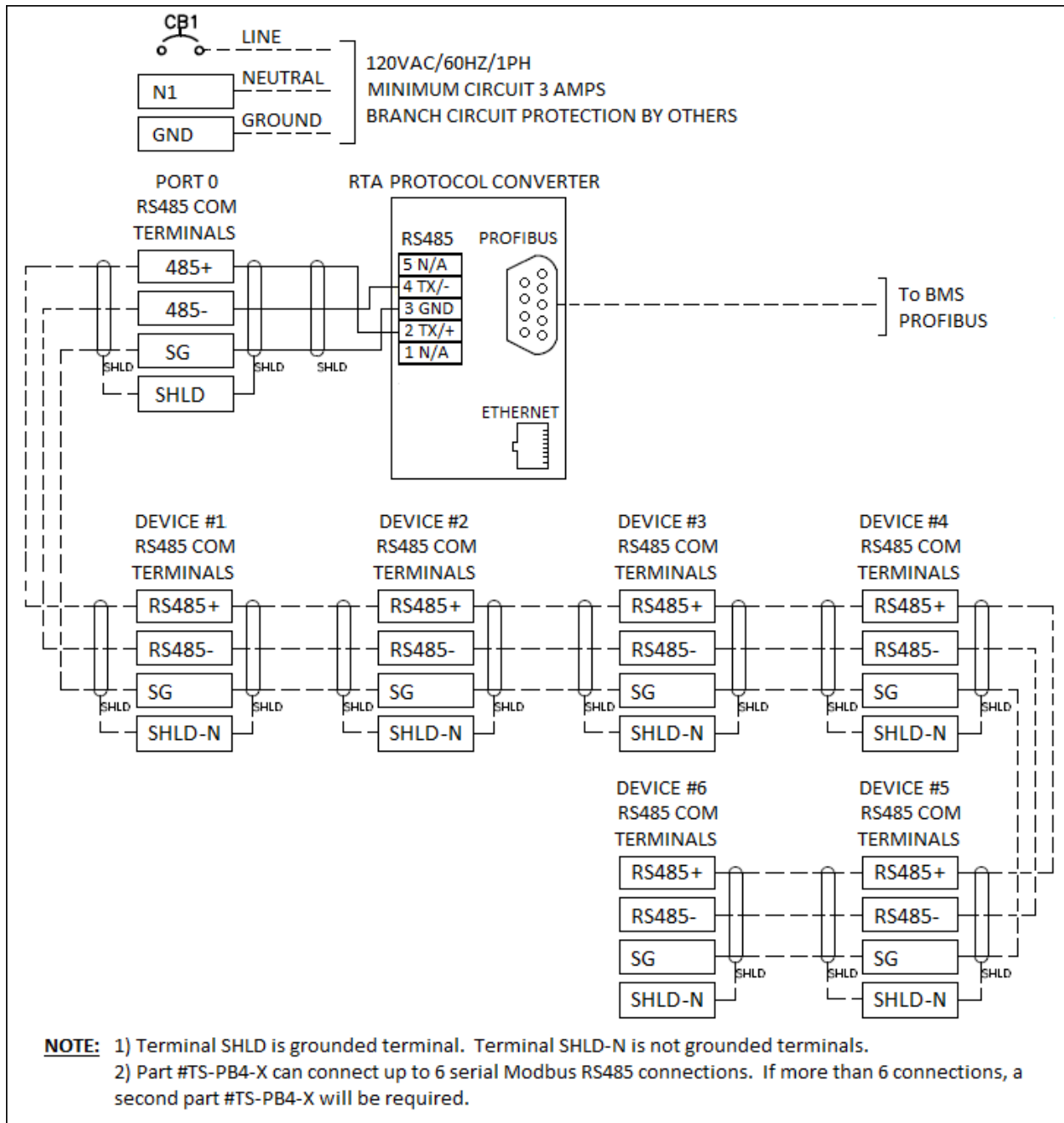
Connections (continued)

TS-PN4-X (Serial Modbus RS-485 to PROFINET)



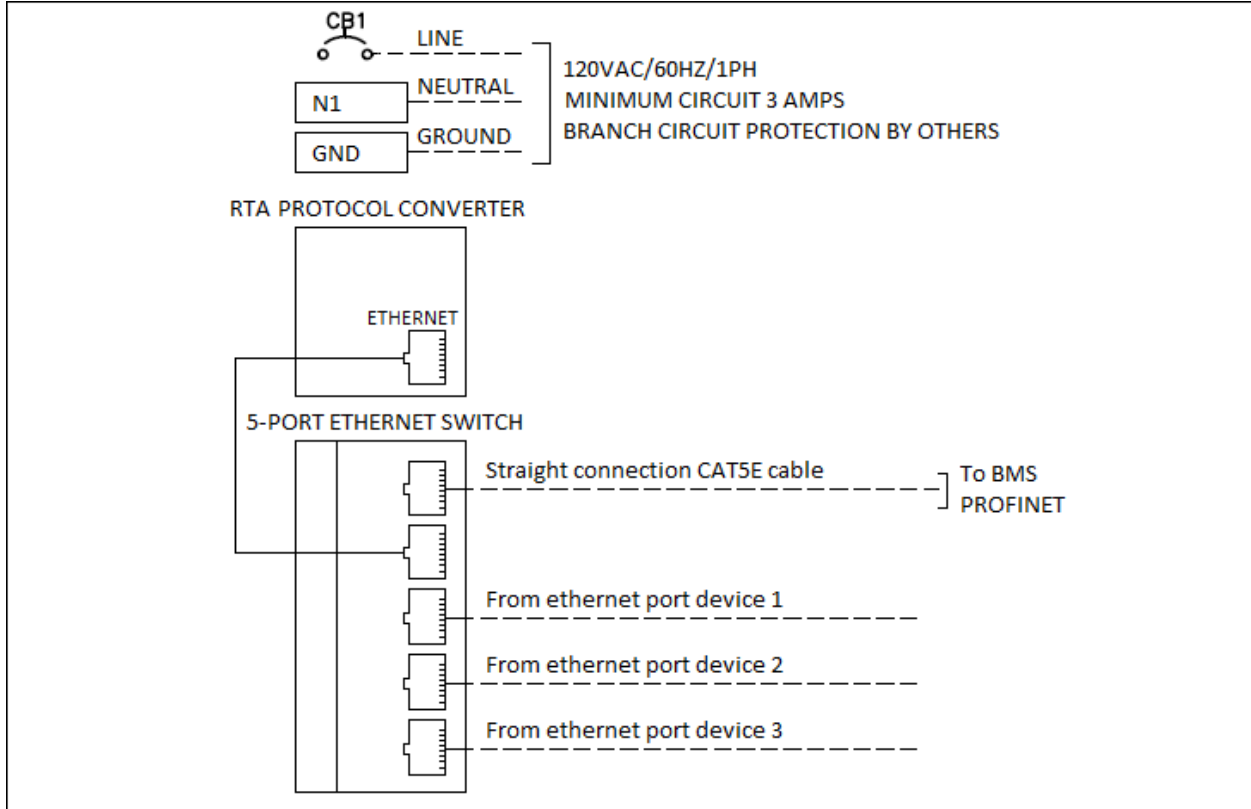
Connections (continued)

TS-PB4-X (Serial Modbus RS-485 to PROFIBUS)



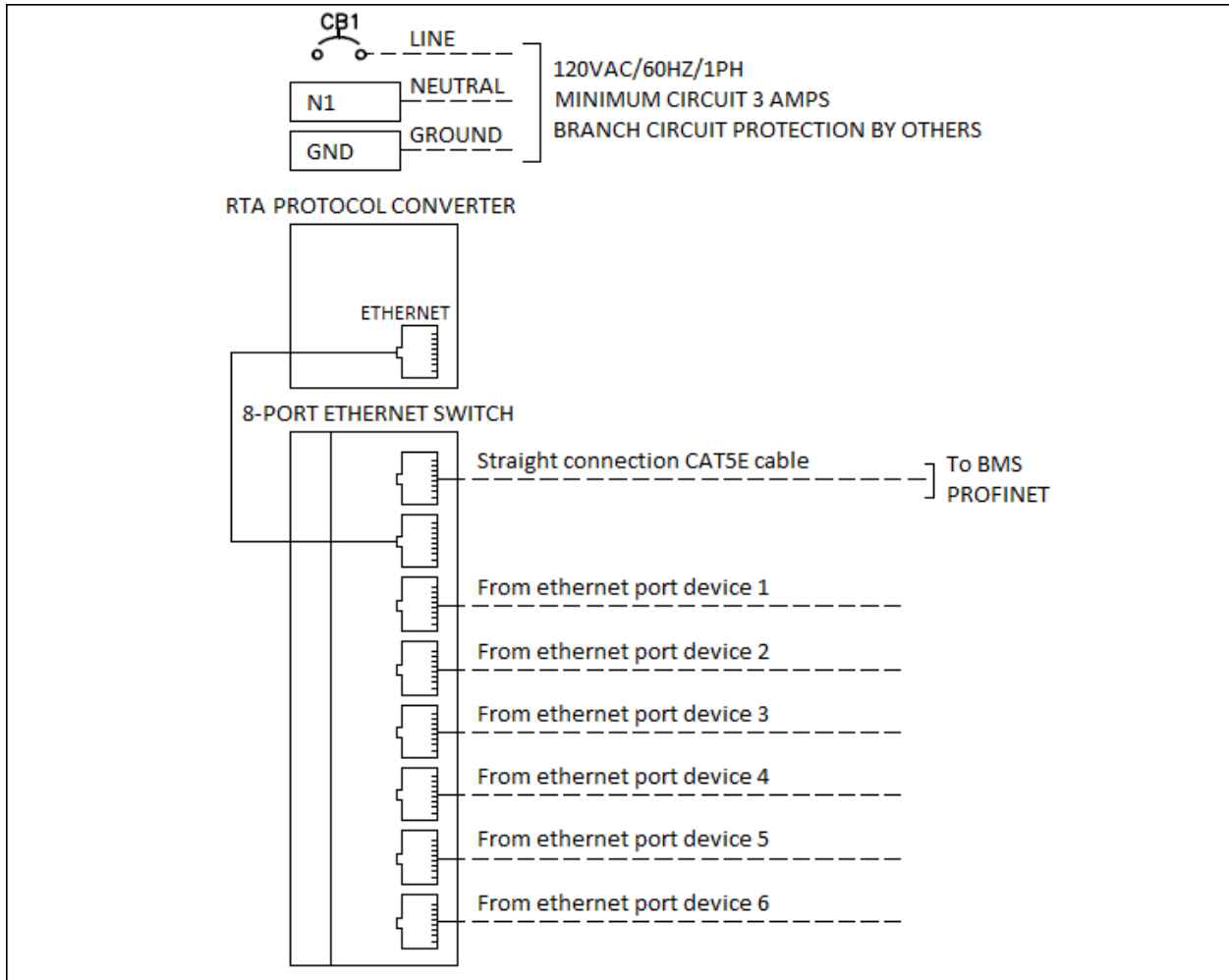
Connections (continued)

TS-PNx-3, 5 Port Ethernet Switch (PROFINET)



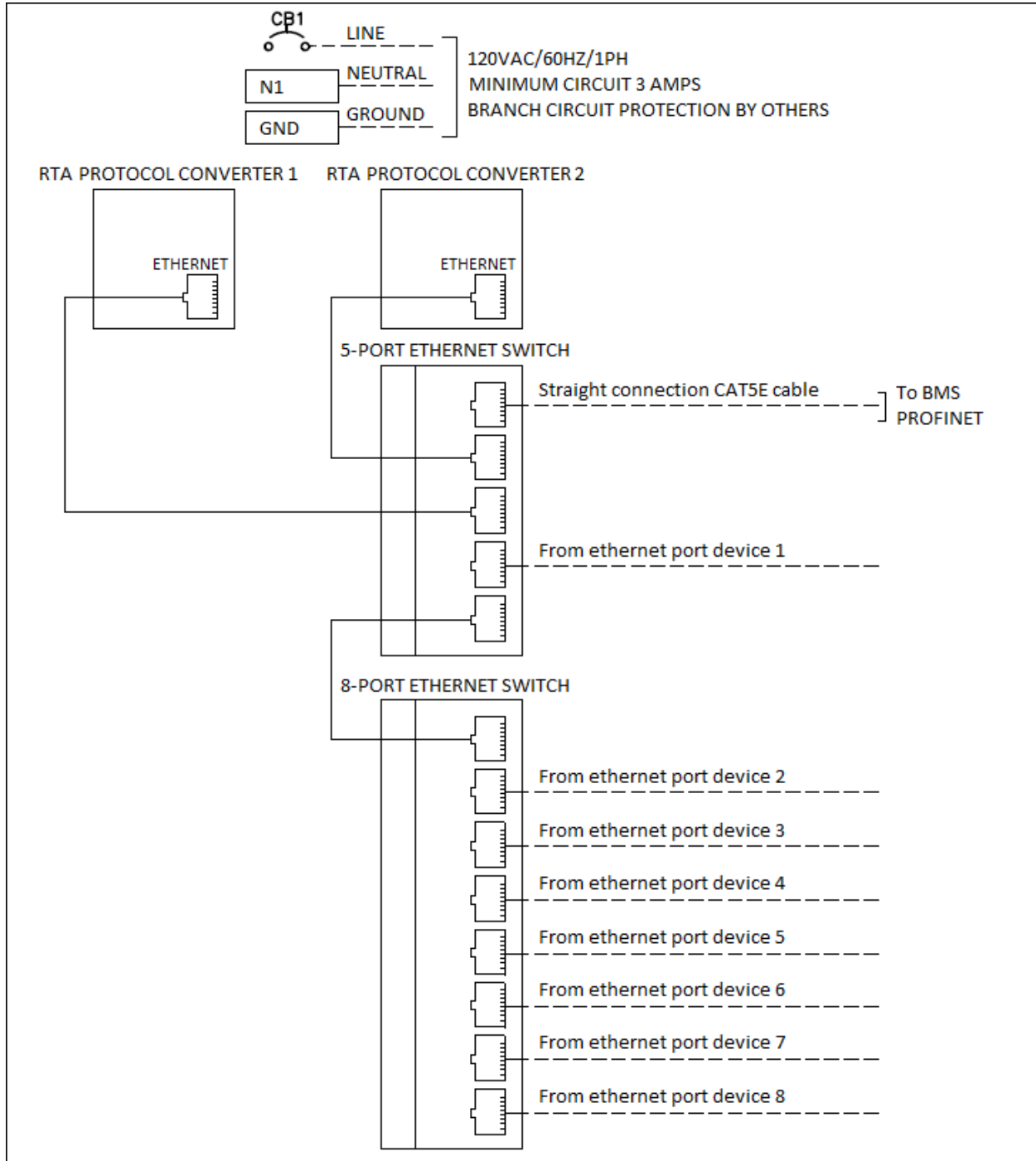
Connections (continued)

TS-PNx-6, 8 Port Ethernet Switch (PROFINET)



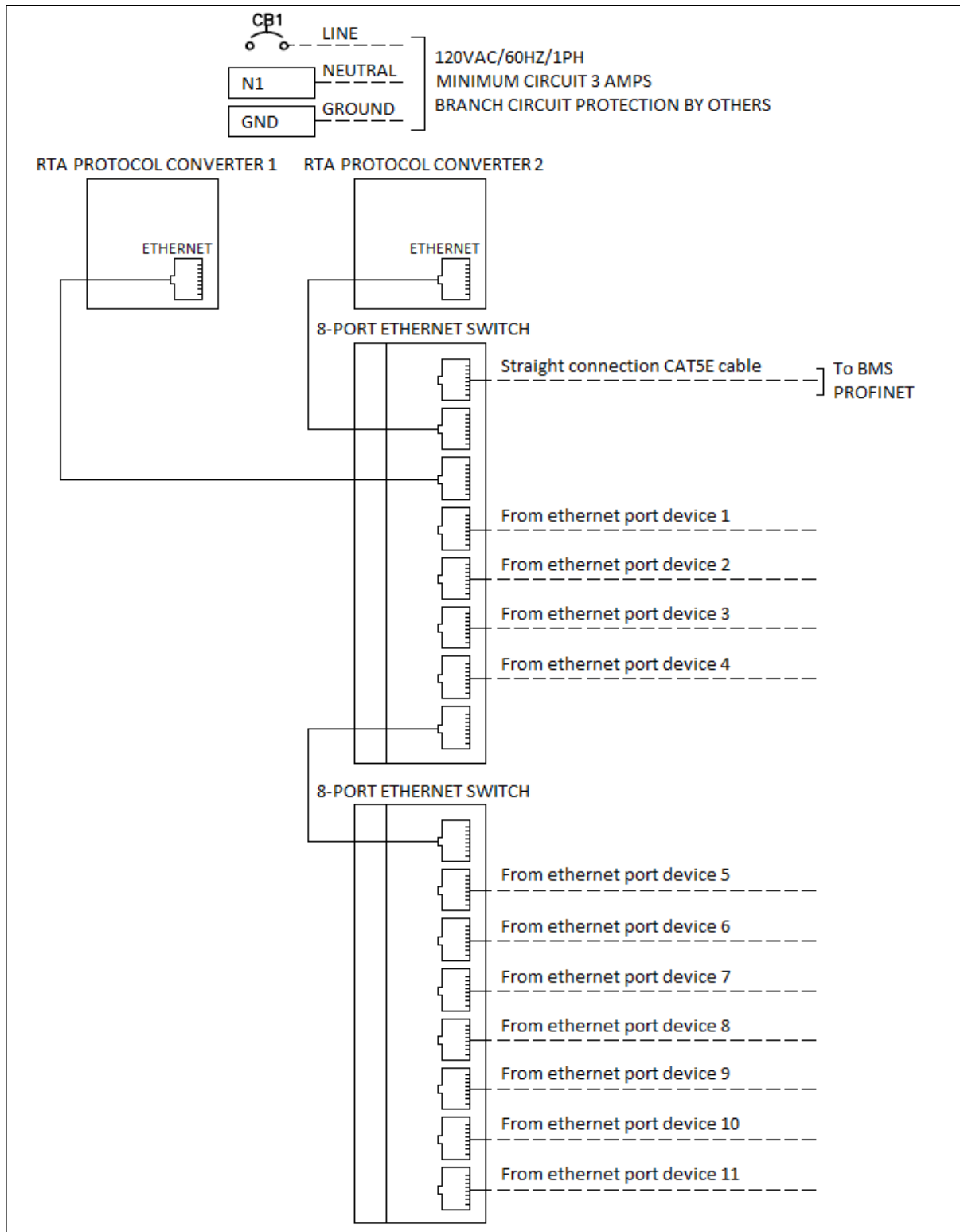
Connections (continued)

TS-PNx-8, 13 Port Ethernet Switch (PROFINET)



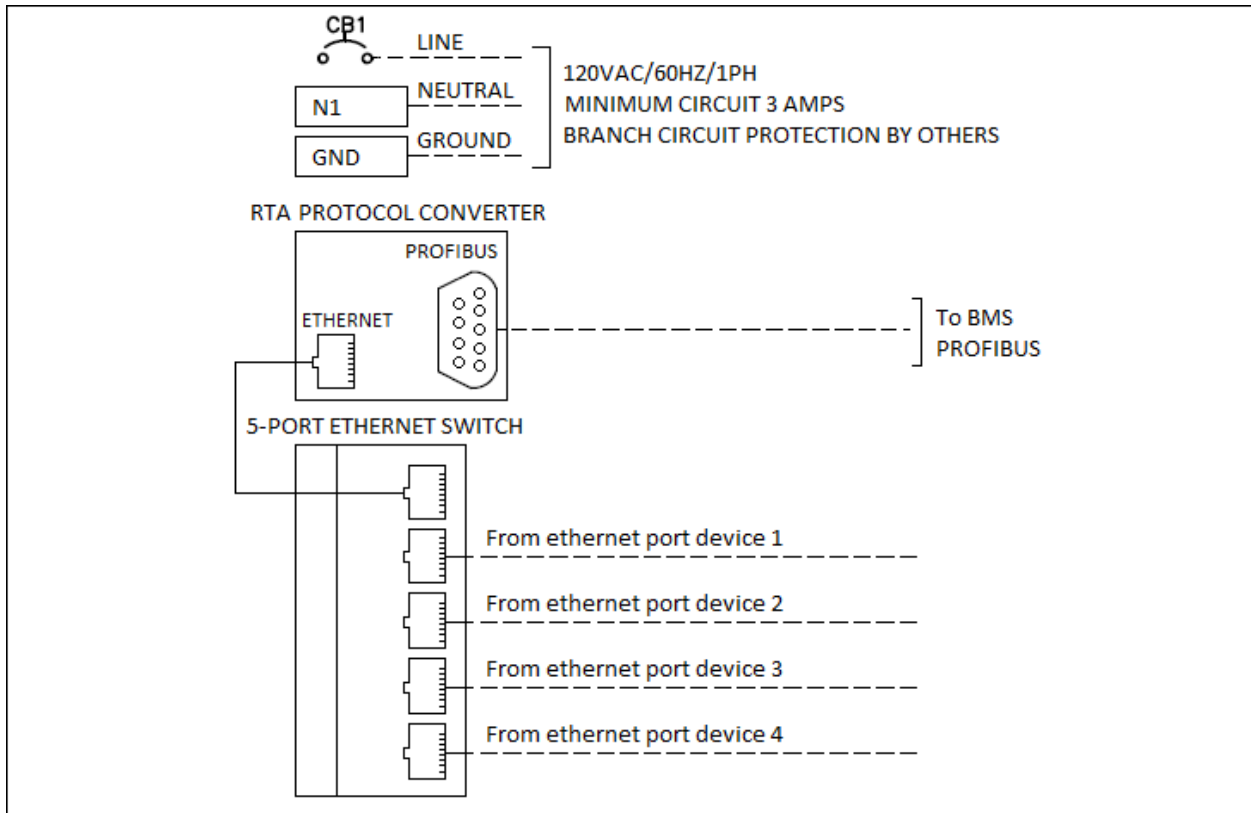
Connections (continued)

TS-PNx-11, 16 Port Ethernet Switch (PROFINET)



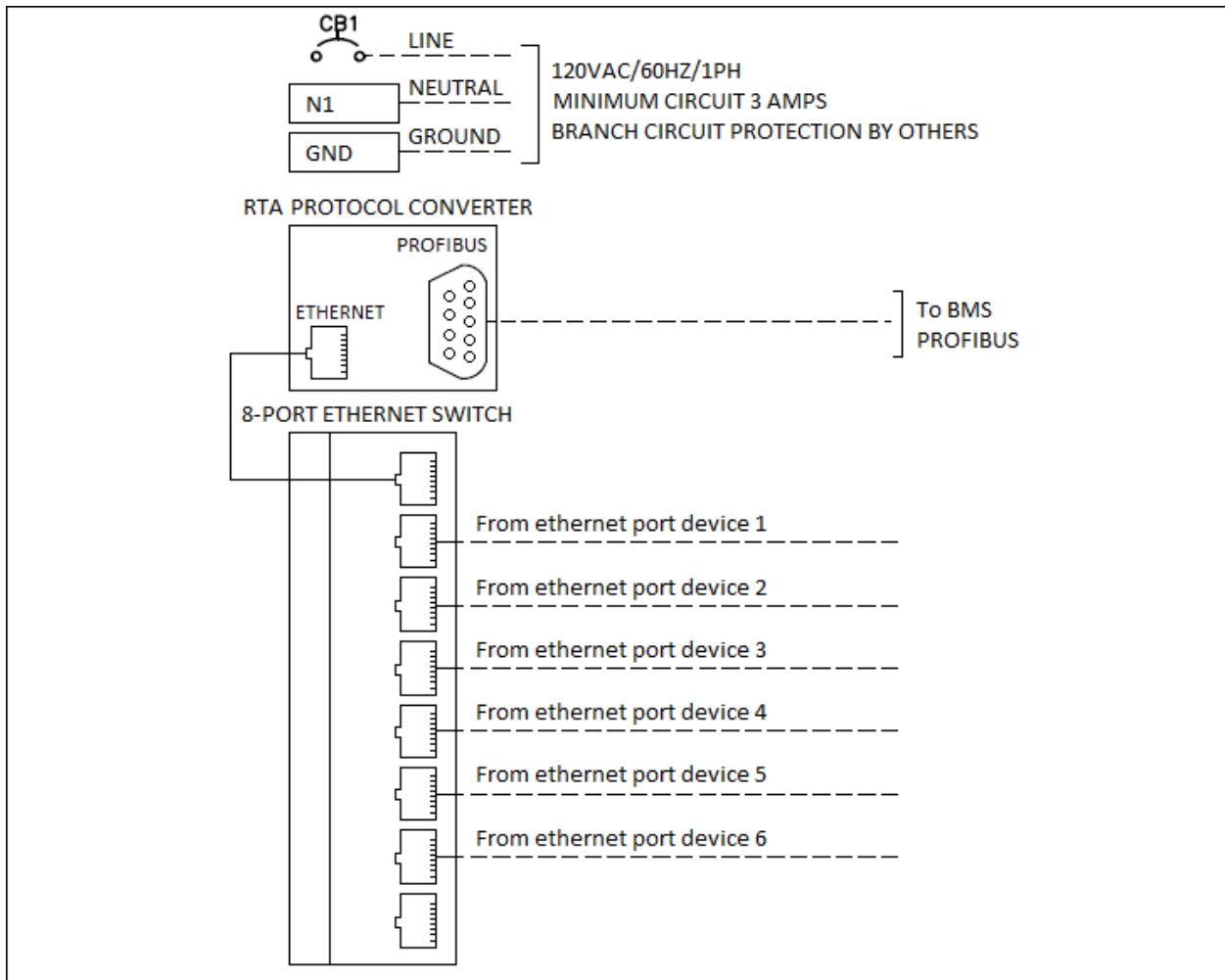
Connections (continued)

TS-PBx-4, 5 Port Ethernet Switch (PROFIBUS)



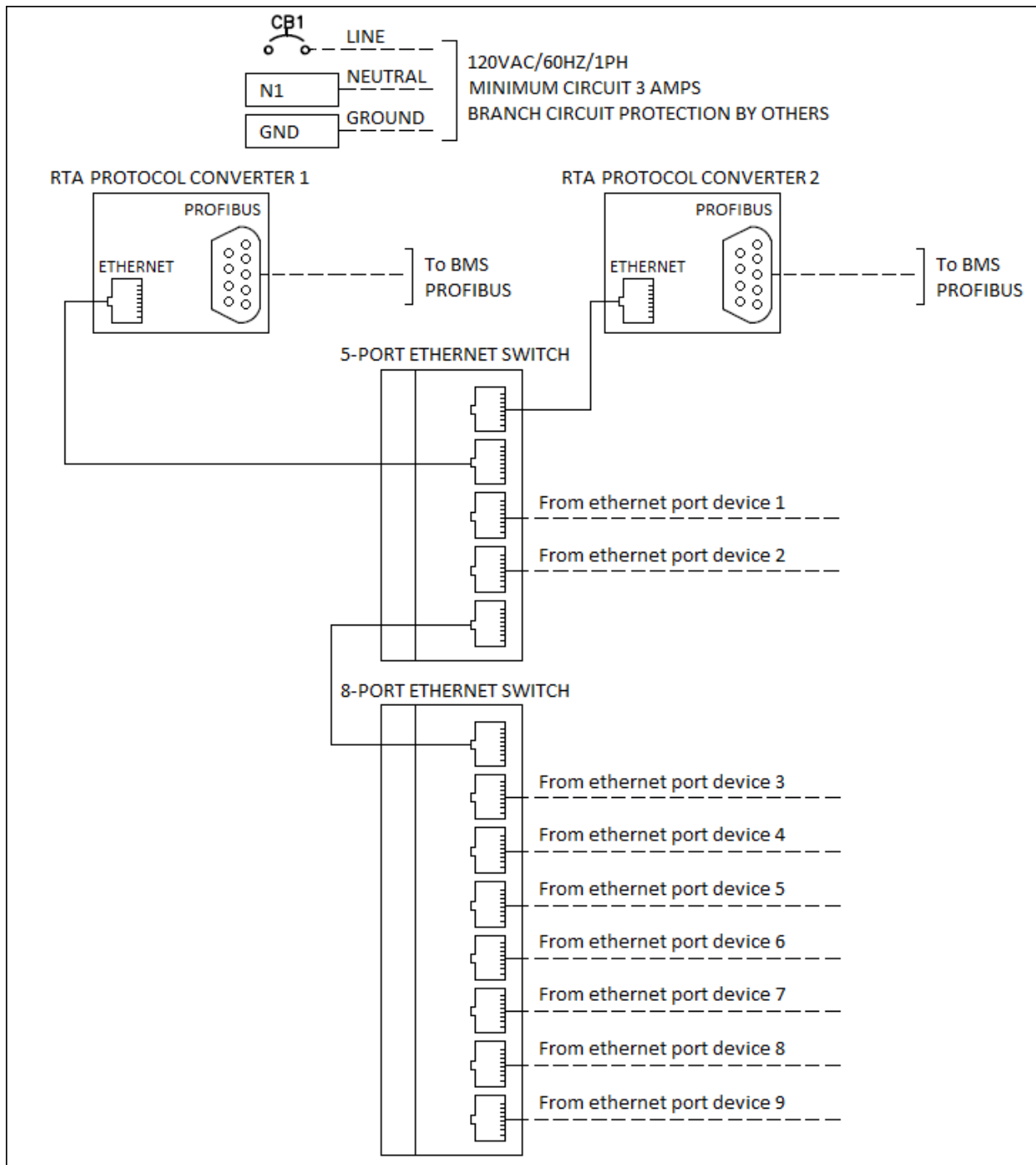
Connections (continued)

TS-PBx-6, 8 Port Ethernet Switch (PROFIBUS)



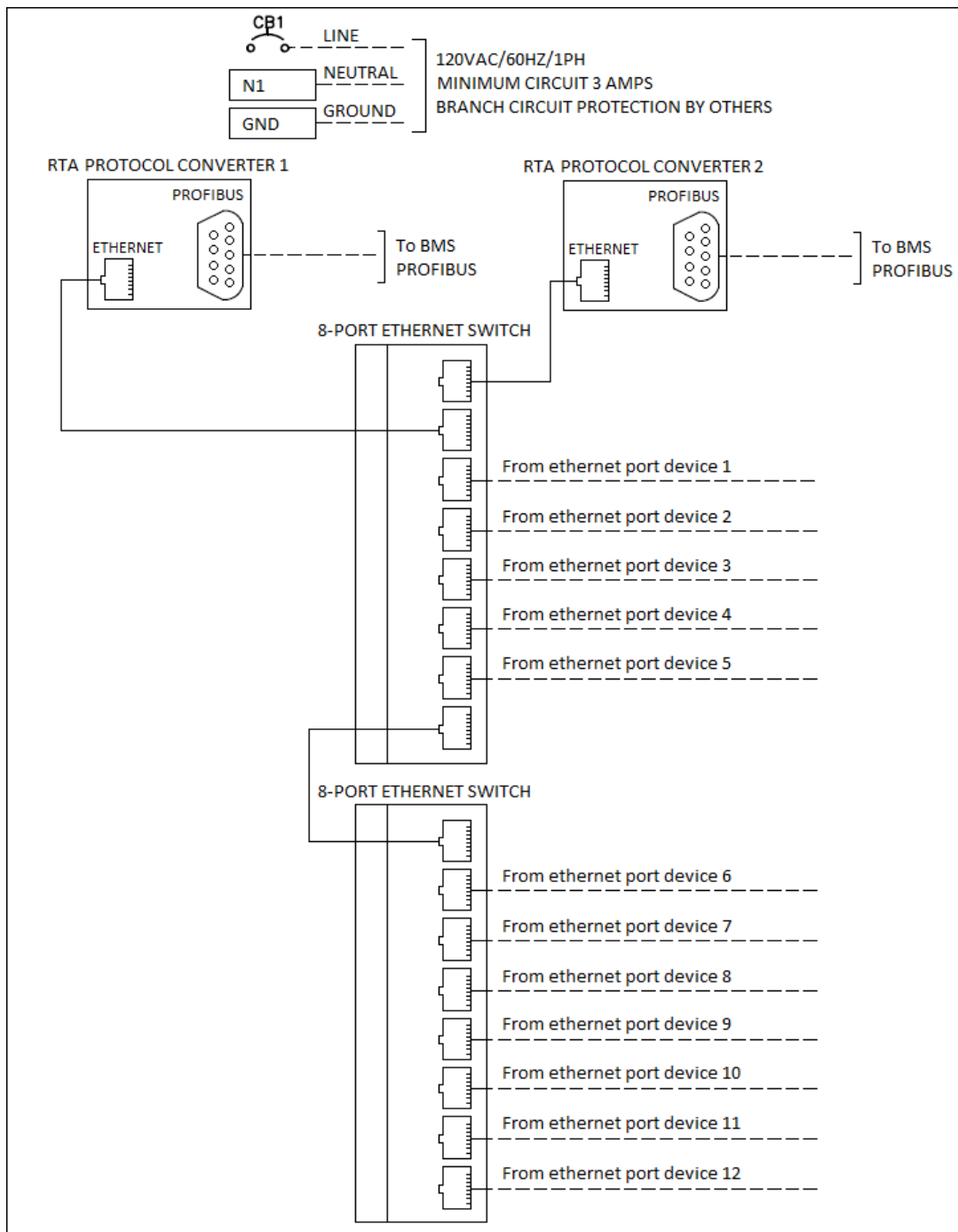
Connections (continued)

TS-PBx-9, 13 Port Ethernet Switch (PROFIBUS)



Connections (continued)

TS-PBx-12, 16 Port Ethernet Switch (PROFIBUS)



Information in this publication is based on current specifications. The company reserves the right to make changes in specifications and models as design improvements are introduced. Product or company names mentioned herein may be the trademarks of their respective owners. © 2009 SCC Inc.