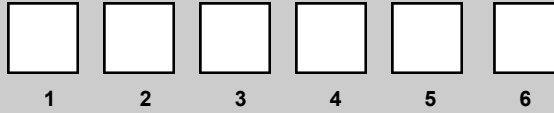


**BASE PRICING:**

FDC - L22                      \$245.00

(DIN RAIL) FDC - L22



Schedule A

**1. POWER INPUT**

- 4: 90-264 VAC 50/60 HZ                      N/C
- 5: 11-26VAC/VDC                              \$16.00

**2. OUTPUT 1**

- 1: Form A Relay (2A, 250V)                      N/C
- 2: SSRD, 5VDC/30mA                              N/C
- C: SSRD, 14VDC/40mA                              \$30.00

**3. OUTPUT 2 /ALARM 1**

- 0: None    N/C
- 1: Form A Relay (2A, 250V)                      \$13.00
- 2: SSRD, 5VDC/30mA                              \$13.00
- C: SSRD, 14VDC/40mA                              \$30.00

**4. OPTION 1**

- 0: None    N/C
- 1: RS-485 (Modbus)                              \$60.00
- 2: 1 Event Input (EI1)                              \$13.00

**5. OPTION 2**

- 0: None    N/C
- 1: Retransmission 4-20mA/0-20mA (OM98-3)      \$60.00
- 2: Retransmission 4-20mA/0-20mA (OM98-3)      \$60.00
- 3: Alarm 2 (Form A Relay)\*                      \$13.00
- 4: 1 Event Input (EI2)                              \$13.00

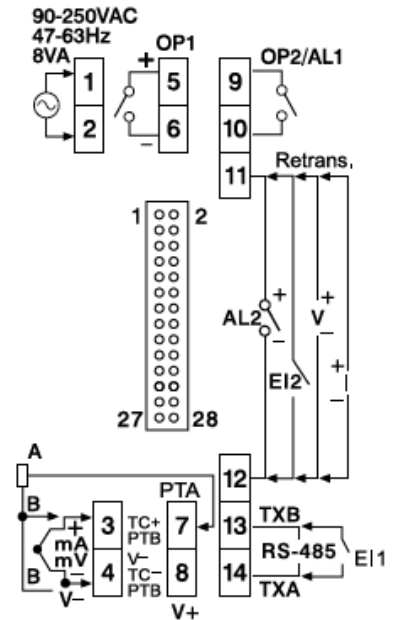
**6. SPECIAL ORDER**

- 00: None    N/C

\*Form A Relay 2A/240 VAC resistive



**L22 Terminal Connection**



P.O. Box 1196                      Bridgeview, IL 60455  
 888.751.5444 Sales              888.307.8014 Fax  
 Technical Support: 866.342.5332  
<http://www.futuredesigncontrols.com>

**BASE PRICING:**

FDC - L62                      \$245.00



Schedule A	FDC-L62									
		1	2	3	4	5	6	7	8	9

**1. POWER INPUT**

- 4: 90 - 264VAC, 50/60 Hz                      N/C
- 5: 20 to 28 VAC, 47-63Hz / 11 to 40 VDC      \$16.00

**2. OUTPUT 1**

- 1: Form A Relay (2A, 250V)                      N/C
- 2: SSR Drive 5VDC/30mA                      N/C
- C: SSRD, 14VDC/40mA                      \$30.00

**3. OUTPUT 2 / ALARM 1**

- 0: None                      N/C
- 1: Form A Relay (2A, 250V)                      \$13.00
- 2: SSRD 5VDC/30mA                      \$13.00
- C: SSRD, 14VDC/40mA                      \$30.00

**4. ALARM 2**

- 0: None                      N/C
- 1: Form A Relay\*                      \$13.00

**5. OPTION1**

- 0: None                      N/C
- 1: RS-485(Modbus)                      \$60.00

**6. OPTION 2**

- 0: None                      N/C
- 1: 2 Event Inputs                      \$13.00

**7. OPTION 3**

- 0: NONE                      N/C
- 1: Retransmission 4-20mA/0-20mA (OM98-3)      \$60.00
- 2: Retransmission 0-10VDC (OM98-5)              \$60.00
- 3: Alarm 3 (Form A Relay)\*                      \$12.00

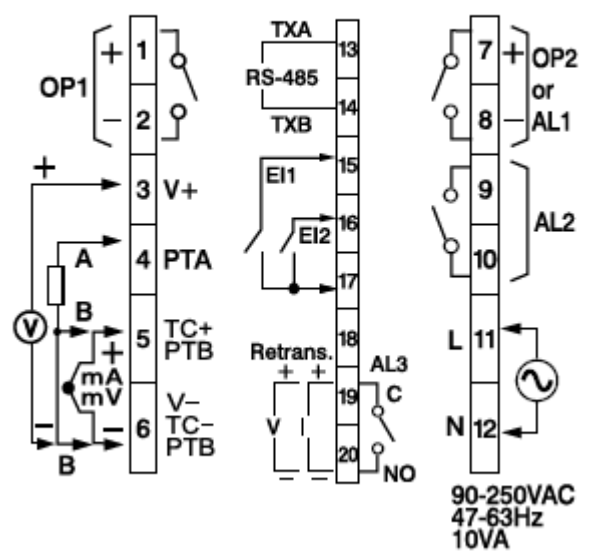
**8. OPTION 4**

- 0: None                      N/C
- 1: Terminal Cover                      \$13.00

**9. SPECIAL ORDER**

- 00: None                      N/C

**L62 Terminal Connection**



High Voltage Input Power

\*Form A Relay 2A/240 VAC resistive



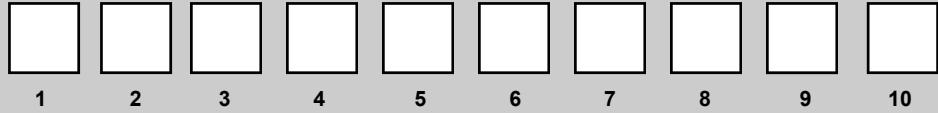
P.O. Box 1196 · Bridgeview, IL 60455  
 888.751.5444 Sales · 888.307.8014 Fax  
 Technical Support: 866.342.5332  
<http://www.futuredesigncontrols.com>

**BASE PRICING:**

FDC - L42                      \$360.00



(1/4 DIN)                      FDC - L42  
 Schedule A



**1. POWER INPUT**

- 4: 90 - 264VAC, 50/60 Hz                      N/C
- 5: 20 to 28 VAC, 47-63Hz / 11 to 40 VDC                      \$16.00

**2. OUTPUT 1**

- 1: Form A Relay (2A, 250V)                      N/C
- 2: SSR Drive 5VDC/30mA                      N/C
- C: SSR Drive 14VDC/40mA (OM94-7)                      \$30.00

**3. OUTPUT 2 / ALARM 1**

- 0: None                      N/C
- 1: Form A Relay (2A, 250V)                      \$13.00
- 2: SSRD 5VDC/30mA                      \$13.00
- C: SSRD 14VDC/40mA                      \$30.00

**4. ALARM 2 to 3**

- 0: None                      N/C
- 1: Form A Relay\* on Alarm 2                      \$13.00
- 2: Form A Relay\* on Alarm 2 to 3                      \$26.00

**5. EVENT INPUTS**

- 0: None                      N/C
- 1: 2 Event Inputs                      \$13.00

**6. OPTION 1**

- 0: None                      N/C
- 1: RS-485 (Modbus)                      \$60.00

**7. OPTION 2**

- 0: None                      N/C

**8. OPTION 3**

- 0: NONE                      N/C
- 1: Retransmission 4-20mA/0-20mA (CM98-3)                      \$60.00
- 2: Retransmission 0-10VDC (CM98-5)                      \$60.00

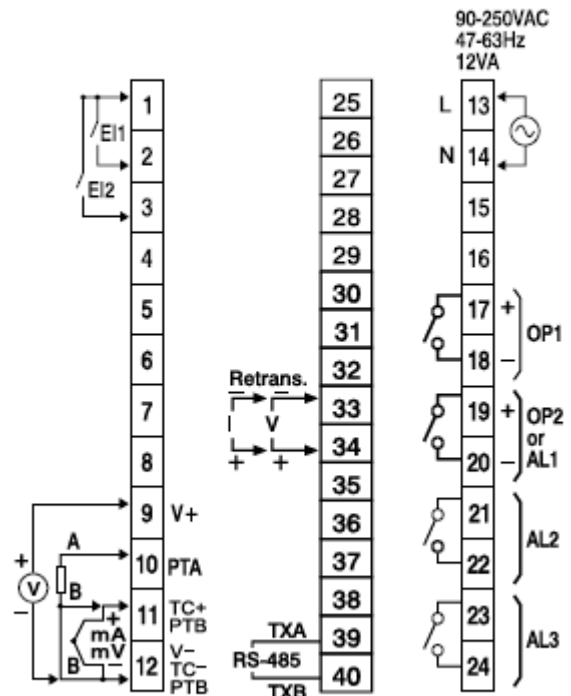
**9. OPTION 4**

- 0: None
- 1: Terminal Cover                      \$12.00

**10. SPECIAL**

- 00: None                      N/C

**L42 Terminal Connection**



High Voltage Input Power



P.O. Box 1196                      Bridgeview, IL 60455  
 888.751.5444 Sales                      888.307.8014 Fax  
 Technical Support: 866.342.5332  
<http://www.futuredesigncontrols.com>

\*Form A Relay 2A/240 VAC resistive