



1. Optional U-Clamp
2. Optional Front Flange



Description & Features:

- Pulsation resistant, liquid filled stainless steel case
- Glycerin filled standard
- Brass and stainless steel internals
- Restricted orifice
- Crimp-On bezel
- Single (psi) or dual scale (psi/kPa)/(psi/bar) available
- Optional U-Clamps and front flanges
- Dry case available
- CRN registered
- 5 year warranty

Applications:

- Ideal for pumps, compressors, hydraulic presses, machinery, pneumatic equipment and motors in harsh environments

Specifications

Dial	1.5" (40mm), 2" (50mm), 2.5" (63mm), 4" (100mm), white aluminum with black and red markings
Case	AISI 304 SS
Lens	Polycarbonate
Ring	AISI 304 SS, Crimp-On
Socket	OT 58 brass or AISI 316 SS
Connection	1/8", 1/4" NPT or 1/2" NPT standard with restricted orifice
Fill Liquid	Glycerin
Bourdon Tube	1.5" (40mm), 2" (50mm): Brass C-shaped for pressures up to and including 600 psi (4,147 kPa); SS C-shaped for pressures over 600 psi (4,136 kPa) 2.5" (63mm), 4" (100mm): Phosphor bronze C-shaped for pressures up to and including 600 psi (4,147 kPa) unless SS internals are specified - AISI 316 SS C-shaped for 1000 psi (6,895 kPa), AISI 316 SS spiral for pressures above 1000 psi (6,895 kPa)
Movement	OT 59 brass or SS
Pointer	Aluminum, anodized black
Welding	Brass: Silver Alloy, 316SS: TIG
Over-Pressure Limit	25% for pressures up to 1,400 psi (9,653 kPa), 15% for pressures over 1,400 psi (9,653 kPa)
Socket Gasket	Buna N for two-piece internal socket seal
Fill Plug	Buna N
Lens Ring Gasket	Silicone rubber
Working Pressure	Maximum 75% of full scale value
Ambient/Process Temperature	Dry: -40°F to 200°F (-40°C to 93°C) Glycerin Filled: -4°F to 150°F (-20°C to 65°C)
Accuracy	1.5" (40mm), 2" (50mm): ±2.5% of full scale value 2.5" (63mm), 4" (100mm): ±1.5% of full scale value
Enclosure Rating	IP65

Dual Scale Order Codes (products in bold are normally in stock)

Dial Size	1.5" (40mm)			
	1/8" Bottom	1/8" Back (CB)	1/8" Bottom	1/8" Back (CB)
Connection	Brass	Brass	SS	SS
Movement Socket, Tube	Brass	Brass	SS	SS
30" Hg Vacuum/kPa	-	-	PFQ1200	PFQ1220
30"-0-15 psi/kPa	-	-	-	-
30"-0-30 psi/kPa	-	-	-	-
30"-0-60 psi/kPa	-	-	-	-
30"-0-100 psi/kPa	-	-	-	-
30"-0-150 psi/kPa	-	-	-	-
30"-0-200 psi/kPa	-	-	-	-
30"-0-300 psi/kPa	-	-	-	-
0-15 psi/kPa	-	-	PFQ1201	PFQ1221
0-30 psi/kPa	PFQ1102	PFQ1122	PFQ1202	PFQ1222
0-60 psi/kPa	PFQ1103	PFQ1123	PFQ1203	PFQ1223
0-100 psi/kPa	PFQ1104	PFQ1124	PFQ1204	PFQ1224
0-160 psi/kPa	PFQ1105	PFQ1125	PFQ1205	PFQ1225
0-200 psi/kPa	PFQ1106	PFQ1126	PFQ1206	PFQ1226
0-300 psi/kPa	PFQ1107	PFQ1127	PFQ1207	PFQ1227
0-400 psi/kPa	-	-	-	-
0-600 psi/kPa	PFQ1108	PFQ1128	PFQ1208	PFQ1228
0-1,000 psi/kPa	PFQ1109	PFQ1129	PFQ1209	PFQ1229
0-1,500 psi/kPa	PFQ1110	PFQ1130	PFQ1210	PFQ1230
0-2,000 psi/kPa	PFQ1111	PFQ1131	PFQ1211	PFQ1231
0-3,000 psi/kPa	PFQ1112	PFQ1132	PFQ1212	PFQ1232
0-5,000 psi/kPa	PFQ1113	PFQ1133	PFQ1213	PFQ1233
0-6,000 psi/kPa	-	-	-	-
0-7,500 psi/kPa	-	-	-	-
0-10,000 psi/kPa	-	-	-	-
0-15,000 psi/kPa	-	-	-	-

Other ranges and connection sizes available upon request. For scale change, refer to How to Order Guide for scale codes. 1.5" (40mm) gauges are available dry (non-liquid filled) only on a special order basis. **For options, attach suffix to end of order code: i.e. PFQ1102-DRY for DRY CASE.**

Option suffix:

15UC = 1.5" U-Clamp

Dry = supply above gauge less liquid fill

Single Scale Order Codes (products in bold are normally in stock)

Dial Size	2" (52mm)							
Connection	1/8" Bottom	1/8" Back (CB)	1/8" Bottom	1/8" Back (CB)	1/4" Bottom	1/4" Back (CB)	1/4" Bottom	1/4" Back (CB)
Movement, Socket, Tube	Brass	Brass	SS	SS	Brass	Brass	SS	SS
30" Hg Vacuum	PFQ2400R1	PFQ2426R1	PFQ2248R1	PFQ2309R1	PFQ2452R1	PFQ2478R1	PFQ2247R1	PFQ2246R1
30"-0-15 psi	PFQ2401R1	PFQ2427R1	PFQ2295R1	PFQ2310R1	PFQ2453R1	PFQ2479R1	PFQ2271R1	PFQ2282R1
30"-0-30 psi	PFQ2402R1	PFQ2428R1	PFQ2241R1	PFQ2311R1	PFQ2454R1	PFQ2480R1	PFQ2272R1	PFQ2283R1
30"-0-60 psi	PFQ2403R1	PFQ2429R1	PFQ2296R1	PFQ2312R1	PFQ2455R1	PFQ2481R1	PFQ2273R1	PFQ2242R1
30"-0-100 psi	PFQ2404R1	PFQ2430R1	PFQ2297R1	PFQ2313R1	PFQ2456R1	PFQ2482R1	PFQ2274R1	PFQ2284R1
30"-0-160 psi	PFQ2405R1	PFQ2431R1	PFQ2298R1	PFQ2314R1	PFQ2457R1	PFQ2483R1	PFQ2275R1	PFQ2285R1
30"-0-200 psi	PFQ2406R1	PFQ2432R1	PFQ2299R1	PFQ2315R1	PFQ2458R1	PFQ2484R1	PFQ2276R1	PFQ2286R1
30"-0-300 psi	PFQ2407R1	PFQ2433R1	PFQ2300R1	PFQ2316R1	PFQ2459R1	PFQ2485R1	PFQ2277R1	PFQ2287R1
0-15 psi	PFQ2408R1	PFQ2434R1	PFQ2218R1	PFQ2217R1	PFQ2460R1	PFQ2486R1	PFQ2215R1	PFQ2214R1
0-30 psi	PFQ2409R1	PFQ2435R1	PFQ2253R1	PFQ2252R1	PFQ2461R1	PFQ2487R1	PFQ2250R1	PFQ2249R1
0-60 psi	PFQ2410R1	PFQ2436R1	PFQ2270R1	PFQ2269R1	PFQ2462R1	PFQ2488R1	PFQ2266R1	PFQ2265R1
0-100 psi	PFQ2411R1	PFQ2437R1	PFQ2209R1	PFQ2208R1	PFQ2463R1	PFQ2489R1	PFQ2205R1	PFQ2204R1
0-160 psi	PFQ2412R1	PFQ2438R1	PFQ2206R1	PFQ2207R1	PFQ2464R1	PFQ2490R1	PFQ2220R1	PFQ2219R1
0-200 psi	PFQ2413R1	PFQ2439R1	PFQ2301R1	PFQ2951R1	PFQ2465R1	PFQ2491R1	PFQ2267R1	PFQ2268R1
0-300 psi	PFQ2414R1	PFQ2440R1	PFQ2245R1	PFQ2318R1	PFQ2466R1	PFQ2492R1	PFQ2244R1	PFQ2243R1
0-400 psi	PFQ2415R1	PFQ2441R1	PFQ2302R1	PFQ2319R1	PFQ2467R1	PFQ2493R1	PFQ2254R1	PFQ2288R1
0-600 psi	PFQ2416R1	PFQ2442R1	PFQ2264R1	PFQ2320R1	PFQ2468R1	PFQ2494R1	PFQ2278R1	PFQ2289R1
0-1,000 psi	PFQ2417R1	PFQ2443R1	PFQ2203R1	PFQ2321R1	PFQ2469R1	PFQ2495R1	PFQ2202R1	PFQ2201R1
0-1,500 psi	PFQ2418R1	PFQ2444R1	PFQ2213R1	PFQ2322R1	PFQ2470R1	PFQ2496R1	PFQ2212R1	PFQ2211R1
0-2,000 psi	PFQ2419R1	PFQ2445R1	PFQ2304R1	PFQ2323R1	PFQ2471R1	PFQ2497R1	PFQ2279R1	PFQ2290R1
0-3,000 psi	PFQ2420R1	PFQ2446R1	PFQ2305R1	PFQ2324R1	PFQ2472R1	PFQ2498R1	PFQ2280R1	PFQ2291R1
0-5,000 psi	PFQ2421R1	PFQ2447R1	PFQ2258R1	PFQ2257R1	PFQ2473R1	PFQ2499R1	PFQ2256R1	PFQ2255R1
0-6,000 psi	PFQ2422R1	PFQ2448R1	PFQ2262R1	PFQ2261R1	PFQ2474R1	PFQ2500R1	PFQ2260R1	PFQ2259R1
0-7,500 psi	PFQ2423R1	PFQ2449R1	PFQ2306R1	PFQ2325R1	PFQ2475R1	PFQ2501R1	PFQ2281R1	PFQ2292R1
0-10,000 psi	PFQ2424R1	PFQ2450R1	PFQ2307R1	PFQ2326R1	PFQ2476R1	PFQ2502R1	PFQ2200R1	PFQ2293R1
0-15,000 psi	PFQ2425R1	PFQ2451R1	PFQ2308R1	PFQ2327R1	PFQ2477R1	PFQ2503R1	PFQ2210R1	PFQ2294R1

Dial Size	2.5" (63mm)			
Connection	1/4" Bottom	1/4" Back (CB)	1/4" Bottom	1/4" Back (CB)
Movement, Socket, Tube	Brass	Brass	SS	SS
30" Hg Vacuum	PFQ801R1	PFQ900R1	PFQ106R1	PFQ147R1
30"-0-15 psi	PFQ790R1	PFQ890R1	PFQ107R1	PFQ148R1
30"-0-30 psi	PFQ798R1	PFQ898R1	PFQ108R1	PFQ149R1
30"-0-60 psi	PFQ799R1	PFQ899R1	PFQ109R1	PFQ151R1
30"-0-100 psi	PFQ791R1	PFQ891R1	PFQ110R1	PFQ156R1
30"-0-160 psi	PFQ792R1	PFQ892R1	PFQ111R1	PFQ157R1
30"-0-200 psi	PFQ794R1	PFQ894R1	PFQ112R1	PFQ158R1
30"-0-300 psi	PFQ795R1	PFQ895R1	PFQ113R1	PFQ159R1
0-15 psi	PFQ800R1	PFQ901R1	PFQ118R1	PFQ162R1
0-30 psi	PFQ802R1	PFQ902R1	PFQ119R1	PFQ163R1
0-60 psi	PFQ803R1	PFQ903R1	PFQ120R1	PFQ164R1
0-100 psi	PFQ804R1	PFQ904R1	PFQ121R1	PFQ169R1
0-160 psi	PFQ805R1	PFQ905R1	PFQ122R1	PFQ170R1
0-200 psi	PFQ806R1	PFQ906R1	PFQ123R1	PFQ171R1
0-300 psi	PFQ807R1	PFQ907R1	PFQ124R1	PFQ175R1
0-400 psi	PFQ817R1	PFQ917R1	PFQ125R1	PFQ177R1
0-600 psi	PFQ808R1	PFQ908R1	PFQ126R1	PFQ178R1
0-1,000 psi	PFQ809R1	PFQ909R1	PFQ127R1	PFQ179R1
0-1,500 psi	PFQ816R1	PFQ914R1	PFQ128R1	PFQ180R1
0-2,000 psi	PFQ810R1	PFQ910R1	PFQ129R1	PFQ181R1
0-3,000 psi	PFQ811R1	PFQ911R1	PFQ137R1	PFQ182R1
0-5,000 psi	PFQ812R1	PFQ912R1	PFQ138R1	PFQ183R1
0-6,000 psi	PFQ814R1	PFQ915R1	PFQ139R1	PFQ184R1
0-7,500 psi	PFQ818R1	PFQ918R1	PFQ144R1	PFQ186R1
0-10,000 psi	PFQ813R1	PFQ913R1	PFQ145R1	PFQ190R1
0-15,000 psi	-	-	PFQ146R1	PFQ191R1

Other ranges and connection sizes available upon request. For scale change, refer to How to Order Guide for scale codes. Front flange for 2" gauge is available. **For options, attach suffix to end of order code: i.e. PFQ2218-DRY for DRY CASE.**

Option suffix:

- 20UC = 2" (52mm) U-Clamp
- 25BF = 2.5" (63mm) Back Flange
- 25FF = 2.5" (63mm) Front Flange
- 25UC = 2.5" (63mm) U-Clamp
- 25DRY = Supply 2.5" gauge less liquid fill
- SF25 = Silicone fill

Dual Scale Order Codes (products in bold are normally in stock)

Dial Size	2" (52mm)							
	1/8" Bottom	1/8" Back (CB)	1/8" Bottom	1/8" Back (CB)	1/4" Bottom	1/4" Back (CB)	1/4" Bottom	1/4" Back (CB)
Movement Socket, Tube	Brass	Brass	SS	SS	Brass	Brass	SS	SS
30" Hg Vac/kPa	PFQ2400	PFQ2426	PFQ2248	PFQ2309	PFQ2452	PFQ2478	PFQ2247	PFQ2246
30"-0-15 psi/kPa	PFQ2401	PFQ2427	PFQ2295	PFQ2310	PFQ2453	PFQ2479	PFQ2271	PFQ2282
30"-0-30 psi/kPa	PFQ2402	PFQ2428	PFQ2241	PFQ2311	PFQ2454	PFQ2480	PFQ2272	PFQ2283
30"-0-60 psi/kPa	PFQ2403	PFQ2429	PFQ2296	PFQ2312	PFQ2455	PFQ2481	PFQ2273	PFQ2242
30"-0-100 psi/kPa	PFQ2404	PFQ2430	PFQ2297	PFQ2313	PFQ2456	PFQ2482	PFQ2274	PFQ2284
30"-0-150 psi/kPa	PFQ2405	PFQ2431	PFQ2298	PFQ2314	PFQ2457	PFQ2483	PFQ2275	PFQ2285
30"-0-200 psi/kPa	PFQ2406	PFQ2432	PFQ2299	PFQ2315	PFQ2458	PFQ2484	PFQ2276	PFQ2286
30"-0-300 psi/kPa	PFQ2407	PFQ2433	PFQ2300	PFQ2316	PFQ2459	PFQ2485	PFQ2277	PFQ2287
0-15 psi/kPa	PFQ2408	PFQ2434	PFQ2218	PFQ2217	PFQ2460	PFQ2486	PFQ2215	PFQ2214
0-30 psi/kPa	PFQ2409	PFQ2435	PFQ2253	PFQ2252	PFQ2461	PFQ2487	PFQ2250	PFQ2249
0-60 psi/kPa	PFQ2410	PFQ2436	PFQ2270	PFQ2269	PFQ2462	PFQ2488	PFQ2266	PFQ2265
0-100 psi/kPa	PFQ2411	PFQ2437	PFQ2209	PFQ2208	PFQ2463	PFQ2489	PFQ2205	PFQ2204
0-160 psi/kPa	PFQ2412	PFQ2438	PFQ2206	PFQ2207	PFQ2464	PFQ2490	PFQ2220	PFQ2219
0-200 psi/kPa	PFQ2413	PFQ2439	PFQ2301	PFQ2951	PFQ2465	PFQ2491	PFQ2267	PFQ2268
0-300 psi/kPa	PFQ2414	PFQ2440	PFQ2245	PFQ2318	PFQ2466	PFQ2492	PFQ2244	PFQ2243
0-400 psi/kPa	PFQ2415	PFQ2441	PFQ2302	PFQ2319	PFQ2467	PFQ2493	PFQ2254	PFQ2288
0-600 psi/kPa	PFQ2416	PFQ2442	PFQ2264	PFQ2320	PFQ2468	PFQ2494	PFQ2278	PFQ2289
0-1,000 psi/kPa	PFQ2417	PFQ2443	PFQ2203	PFQ2321	PFQ2469	PFQ2495	PFQ2202	PFQ2201
0-1,500 psi/kPa	PFQ2418	PFQ2444	PFQ2213	PFQ2322	PFQ2470	PFQ2496	PFQ2212	PFQ2211
0-2,000 psi/kPa	PFQ2419	PFQ2445	PFQ2304	PFQ2323	PFQ2471	PFQ2497	PFQ2279	PFQ2290
0-3,000 psi/kPa	PFQ2420	PFQ2446	PFQ2305	PFQ2324	PFQ2472	PFQ2498	PFQ2280	PFQ2291
0-5,000 psi/kPa	PFQ2421	PFQ2447	PFQ2258	PFQ2257	PFQ2473	PFQ2499	PFQ2256	PFQ2255
0-6,000 psi/kPa	PFQ2422	PFQ2448	PFQ2262	PFQ2261	PFQ2474	PFQ2500	PFQ2260	PFQ2259
0-7,500 psi/kPa	PFQ2423	PFQ2449	PFQ2306	PFQ2325	PFQ2475	PFQ2501	PFQ2281	PFQ2292
0-10,000 psi/kPa	PFQ2424	PFQ2450	PFQ2307	PFQ2326	PFQ2476	PFQ2502	PFQ2200	PFQ2293
0-15,000 psi/kPa	PFQ2425	PFQ2451	PFQ2308	PFQ2327	PFQ2477	PFQ2503	PFQ2210	PFQ2294

Other ranges and connection sizes available upon request. For scale change, refer to How to Order Guide for scale codes. Front flange for 2" gauge is available. **For options, attach suffix to end of order code: i.e. PFQ2218-DRY for DRY CASE.**

Option suffix:

20UC = 2" (52mm) U-Clamp

DRY = Supply 2" gauge less liquid fill

Dual Scale Order Codes (products in bold are normally in stock)

Dial Size	2.5" (63mm)			
	1/4" Bottom	1/4" Back (CB)	1/4" Bottom	1/4" Back (CB)
Movement Socket, Tube	Brass	Brass	SS	SS
30" Hg Vac/kPa	PFQ801	PFQ900	PFQ106	PFQ147
30"-0-15 psi/kPa	PFQ790	PFQ890	PFQ107	PFQ148
30"-0-30 psi/kPa	PFQ798	PFQ898	PFQ108	PFQ149
30"-0-60 psi/kPa	PFQ799	PFQ899	PFQ109	PFQ151
30"-0-100 psi/kPa	PFQ791	PFQ891	PFQ110	PFQ156
30"-0-150 psi/kPa	PFQ792	PFQ892	PFQ111	PFQ157
30"-0-200 psi/kPa	PFQ794	PFQ894	PFQ112	PFQ158
30"-0-300 psi/kPa	PFQ795	PFQ895	PFQ113	PFQ159
0-15 psi/kPa	PFQ800	PFQ901	PFQ118	PFQ162
0-30 psi/kPa	PFQ802	PFQ902	PFQ119	PFQ163
0-60 psi/kPa	PFQ803	PFQ903	PFQ120	PFQ164
0-100 psi/kPa	PFQ804	PFQ904	PFQ121	PFQ169
0-160 psi/kPa	PFQ805	PFQ905	PFQ122	PFQ170
0-200 psi/kPa	PFQ806	PFQ906	PFQ123	PFQ171
0-300 psi/kPa	PFQ807	PFQ907	PFQ124	PFQ175
0-400 psi/kPa	PFQ817	PFQ917	PFQ125	PFQ177
0-600 psi/kPa	PFQ808	PFQ908	PFQ126	PFQ178
0-1,000 psi/kPa	PFQ809	PFQ909	PFQ127	PFQ179
0-1,500 psi/kPa	PFQ816	PFQ914	PFQ128	PFQ180
0-2,000 psi/kPa	PFQ810	PFQ910	PFQ129	PFQ181
0-3,000 psi/kPa	PFQ811	PFQ911	PFQ137	PFQ182
0-5,000 psi/kPa	PFQ812	PFQ912	PFQ138	PFQ183
0-6,000 psi/kPa	PFQ814	PFQ915	PFQ139	PFQ184
0-7,500 psi/kPa	PFQ818	PFQ918	PFQ144	PFQ186
0-10,000 psi/kPa	PFQ813	PFQ913	PFQ145	PFQ190
0-15,000 psi/kPa	-	-	PFQ146	PFQ191

Dial Size	2.5" (63mm)	
	1/4" Bottom	1/4" Back (CB)
Movement, Socket, Tube	Brass	Brass
30" Hg Vac/bar	PFQ801R1R11	PFQ900R1R11
30"-0-15 psi/bar	PFQ790R1R11	PFQ890R1R11
30"-0-30 psi/bar	PFQ798R1R11	PFQ898R1R11
30"-0-60 psi/bar	PFQ799R1R11	PFQ899R1R11
30"-0-100 psi/bar	PFQ791R1R11	PFQ891R1R11
30"-0-150 psi/bar	PFQ792R1R11	PFQ892R1R11
30"-0-200 psi/bar	PFQ794R1R11	PFQ894R1R11
30"-0-300 psi/bar	PFQ795R1R11	PFQ895R1R11
0-15 psi/bar	PFQ800R1R11	PFQ901R1R11
0-30 psi/bar	PFQ802R1R11	PFQ902R1R11
0-60 psi/bar	PFQ803R1R11	PFQ903R1R11
0-100 psi/bar	PFQ804R1R11	PFQ904R1R11
0-160 psi/bar	PFQ805R1R11	PFQ905R1R11
0-200 psi/bar	PFQ806R1R11	PFQ906R1R11
0-300 psi/bar	PFQ807R1R11	PFQ907R1R11
0-400 psi/bar	PFQ817R1R11	PFQ917R1R11
0-600 psi/bar	PFQ808R1R11	PFQ908R1R11
0-1,000 psi/bar	PFQ809R1R11	PFQ909R1R11
0-1,500 psi/bar	PFQ816R1R11	PFQ914R1R11
0-2,000 psi/bar	PFQ810R1R11	PFQ910R1R11
0-3,000 psi/bar	PFQ811R1R11	PFQ911R1R11
0-5,000 psi/bar	PFQ812R1R11	PFQ912R1R11
0-6,000 psi/bar	PFQ814R1R11	PFQ915R1R11
0-7,500 psi/bar	PFQ818R1R11	PFQ918R1R11
0-10,000 psi/bar	PFQ813R1R11	PFQ913R1R11

Other ranges and connection sizes available upon request. For scale change, refer to How to Order Guide for scale codes. **For options, attach suffix to end of order code: i.e. PFQ801R1R11-DRY for DRY CASE.**

Option suffix:

- 25BF = 2.5" (63mm) Back Flange
- 25FF = 2.5" (63mm) Front Flange
- 25UC = 2.5" (63mm) U-Clamp
- 25DRY = Supply 2.5" gauge less liquid fill
- SF25 = Silicone fill

Single Scale Order Codes (products in bold are normally in stock)

Dial Size	4" (100mm)							
Connection	1/4" Bottom	1/4" Back (CB)	1/4" Bottom	1/4" Back (CB)	1/2" Bottom	1/2" Back (CB)	1/2" Bottom	1/2" Back (CB)
Movement, Socket, Tube	Brass	Brass	SS	SS	Brass	Brass	SS	SS
30" Hg Vacuum	PFQ700R1	PFQ730R1	PFQ760R1	PFQ1260R1	PFQ1234R1	PFQ1285R1	PFQ1535R1	PFQ1559R1
30"-0-15 psi	PFQ701R1	PFQ731R1	PFQ761R1	PFQ1261R1	PFQ1235R1	PFQ1286R1	PFQ1536R1	PFQ1560R1
30"-0-30 psi	PFQ702R1	PFQ732R1	PFQ762R1	PFQ1262R1	PFQ1236R1	PFQ1287R1	PFQ1537R1	R1PFQ1561
30"-0-60 psi	PFQ703R1	PFQ733R1	PFQ763R1	PFQ1263R1	PFQ1237R1	PFQ1288R1	PFQ1538R1	PFQ1562R1
30"-0-100 psi	PFQ704R1	PFQ734R1	PFQ764R1	PFQ1264R1	PFQ1238R1	PFQ1289R1	PFQ1539R1	PFQ1563R1
30"-0-160 psi	PFQ705R1	PFQ735R1	PFQ765R1	PFQ1265R1	PFQ1239R1	PFQ1290R1	PFQ1540R1	PFQ1564R1
30"-0-200 psi	PFQ706R1	PFQ736R1	PFQ766R1	PFQ1266R1	PFQ1240R1	PFQ1291R1	PFQ1541R1	PFQ1565R1
30"-0-300 psi	PFQ707R1	PFQ737R1	PFQ767R1	PFQ1267R1	PFQ1241R1	PFQ1292R1	PFQ1542R1	PFQ1566R1
0-15 psi	PFQ708R1	PFQ738R1	PFQ768R1	PFQ1268R1	PFQ1242R1	PFQ1293R1	PFQ1543R1	PFQ1567R1
0-30 psi	PFQ709R1	PFQ739R1	PFQ769R1	PFQ1269R1	PFQ1243R1	PFQ1294R1	PFQ1544R1	PFQ1568R1
0-60 psi	PFQ710R1	PFQ740R1	PFQ770R1	PFQ1270R1	PFQ1244R1	PFQ1295R1	PFQ1545R1	PFQ1569R1
0-100 psi	PFQ711R1	PFQ741R1	PFQ771R1	PFQ1271R1	PFQ1245R1	PFQ1296R1	PFQ1546R1	PFQ1570R1
0-160 psi	PFQ712R1	PFQ742R1	PFQ772R1	PFQ1272R1	PFQ1246R1	PFQ1298R1	PFQ1547R1	PFQ1571R1
0-200 psi	PFQ713R1	PFQ743R1	PFQ773R1	PFQ1273R1	PFQ1247R1	PFQ1524R1	PFQ1548R1	PFQ1572R1
0-300 psi	PFQ714R1	PFQ744R1	PFQ774R1	PFQ1274R1	PFQ1248R1	PFQ1525R1	PFQ1549R1	PFQ1573R1
0-400 psi	PFQ715R1	PFQ745R1	PFQ775R1	PFQ1275R1	PFQ1249R1	PFQ1526R1	PFQ1550R1	PFQ1574R1
0-600 psi	PFQ716R1	PFQ746R1	PFQ776R1	PFQ1276R1	PFQ1250R1	PFQ1527R1	PFQ1551R1	PFQ1575R1
0-1,000 psi	PFQ724R1	PFQ192R1	PFQ1528R1	PFQ1552R1	PFQ717R1	PFQ747R1	PFQ777R1	PFQ1277R1
0-1,500 psi	PFQ725R1	PFQ241R1	PFQ1529R1	PFQ1553R1	PFQ718R1	PFQ748R1	PFQ778R1	PFQ1278R1
0-2,000 psi	PFQ726R1	PFQ242R1	PFQ1530R1	PFQ1554R1	PFQ719R1	PFQ749R1	PFQ779R1	PFQ1279R1
0-3,000 psi	PFQ727R1	PFQ243R1	PFQ1531R1	PFQ1555R1	PFQ720R1	PFQ750R1	PFQ780R1	PFQ1280R1
0-5,000 psi	PFQ728R1	PFQ244R1	PFQ1532R1	PFQ1556R1	PFQ721R1	PFQ751R1	PFQ781R1	PFQ1281R1
0-6,000 psi	-	PFQ246R1	-	-	PFQ784R1	PFQ785R1	PFQ789R1	PFQ1284R1
0-7,500 psi	-	PFQ247R1	-	-	-	-	-	-
0-10,000 psi	PFQ729R1	PFQ360R1	PFQ1533R1	PFQ1557R1	PFQ722R1	PFQ752R1	PFQ782R1	PFQ1282R1
0-15,000 psi	-	PFQ361R1	PFQ1534R1	PFQ1558R1	PFQ723R1	PFQ753R1	PFQ783R1	PFQ1283R1

Other ranges and connection sizes available upon request. For scale change, refer to How to Order Guide for scale codes. **For options, attach suffix to end of order code: i.e. PFQ728-R1 for SINGLE SCALE PSI.**

Option suffix:

4BF = 4" (100mm) Back Flange
4FF = 4" (100mm) Front Flange

4UC-P = 4" (100mm) U-Clamp
4UC-Q = 4" (100mm) U-Clamp

4DRY = Supply 4" gauge less liquid fill
SF4 = Silicone fill

Dual Scale Order Codes (products in bold are normally in stock)

Dial Size	4" (100mm)							
Connection	1/4" Bottom	1/4" Back (CB)	1/4" Bottom	1/4" Back (CB)	1/2" Bottom	1/2" Back (CB)	1/2" Bottom	1/2" Back (CB)
Movement, Socket, Tube	Brass	Brass	SS	SS	Brass	Brass	SS	SS
30" Hg Vacuum/kPa	PFQ700	PFQ730	PFQ760	PFQ1260	PFQ1234	PFQ1285	PFQ1535	PFQ1559
30"-0-15 psi/kPa	PFQ701	PFQ731	PFQ761	PFQ1261	PFQ1235	PFQ1286	PFQ1536	PFQ1560
30"-0-30 psi/kPa	PFQ702	PFQ732	PFQ762	PFQ1262	PFQ1236	PFQ1287	PFQ1537	PFQ1561
30"-0-60 psi/kPa	PFQ703	PFQ733	PFQ763	PFQ1263	PFQ1237	PFQ1288	PFQ1538	PFQ1562
30"-0-100 psi/kPa	PFQ704	PFQ734	PFQ764	PFQ1264	PFQ1238	PFQ1289	PFQ1539	PFQ1563
30"-0-150 psi/kPa	PFQ705	PFQ735	PFQ765	PFQ1265	PFQ1239	PFQ1290	PFQ1540	PFQ1564
30"-0-200 psi/kPa	PFQ706	PFQ736	PFQ766	PFQ1266	PFQ1240	PFQ1291	PFQ1541	PFQ1565
30"-0-300 psi/kPa	PFQ707	PFQ737	PFQ767	PFQ1267	PFQ1241	PFQ1292	PFQ1542	PFQ1566
0-15 psi/kPa	PFQ708	PFQ738	PFQ768	PFQ1268	PFQ1242	PFQ1293	PFQ1543	PFQ1567
0-30 psi/kPa	PFQ709	PFQ739	PFQ769	PFQ1269	PFQ1243	PFQ1294	PFQ1544	PFQ1568
0-60 psi/kPa	PFQ710	PFQ740	PFQ770	PFQ1270	PFQ1244	PFQ1295	PFQ1545	PFQ1569
0-100 psi/kPa	PFQ711	PFQ741	PFQ771	PFQ1271	PFQ1245	PFQ1296	PFQ1546	PFQ1570
0-160 psi/kPa	PFQ712	PFQ742	PFQ772	PFQ1272	PFQ1246	PFQ1298	PFQ1547	PFQ1571
0-200 psi/kPa	PFQ713	PFQ743	PFQ773	PFQ1273	PFQ1247	PFQ1524	PFQ1548	PFQ1572
0-300 psi/kPa	PFQ714	PFQ744	PFQ774	PFQ1274	PFQ1248	PFQ1525	PFQ1549	PFQ1573
0-400 psi/kPa	PFQ715	PFQ745	PFQ775	PFQ1275	PFQ1249	PFQ1526	PFQ1550	PFQ1574
0-600 psi/kPa	PFQ716	PFQ746	PFQ776	PFQ1276	PFQ1250	PFQ1527	PFQ1551	PFQ1575
0-1,000 psi/kPa	PFQ724	PFQ192	PFQ1528	PFQ1552	PFQ717	PFQ747	PFQ777	PFQ1277
0-1,500 psi/kPa	PFQ725	PFQ241	PFQ1529	PFQ1553	PFQ718	PFQ748	PFQ778	PFQ1278
0-2,000 psi/kPa	PFQ726	PFQ242	PFQ1530	PFQ1554	PFQ719	PFQ749	PFQ779	PFQ1279
0-3,000 psi/kPa	PFQ727	PFQ243	PFQ1531	PFQ1555	PFQ720	PFQ750	PFQ780	PFQ1280
0-5,000 psi/kPa	PFQ728	PFQ244	PFQ1532	PFQ1556	PFQ721	PFQ751	PFQ781	PFQ1281
0-6,000 psi/kPa	-	PFQ246	-	-	PFQ784	PFQ785	PFQ789	PFQ1284
0-7,500 psi/kPa	-	PFQ247	-	-	-	-	-	-
0-10,000 psi/kPa	PFQ729	PFQ360	PFQ1533	PFQ1557	PFQ722	PFQ752	PFQ782	PFQ1282
0-15,000 psi/kPa	-	PFQ361	PFQ1534	PFQ1558	PFQ723	PFQ753	PFQ783	PFQ1283

Other ranges and connection sizes available upon request. For scale change, refer to How to Order Guide for scale codes. **For options, attach suffix to end of order code: i.e. PFQ728-R1 for SINGLE SCALE PSI.**

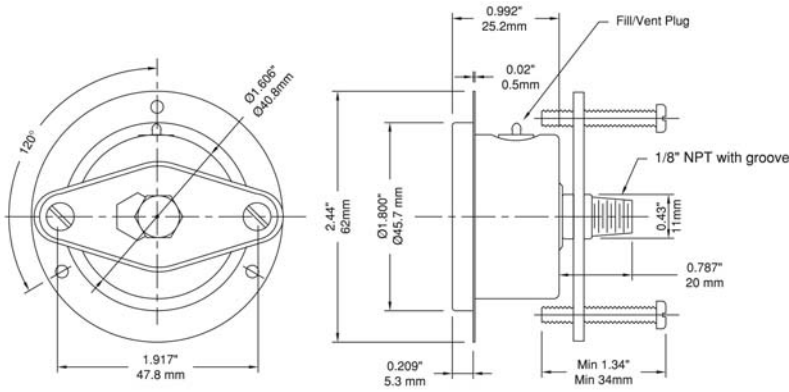
Option suffix:

4BF = 4" (100mm) Back Flange
4FF = 4" (100mm) Front Flange

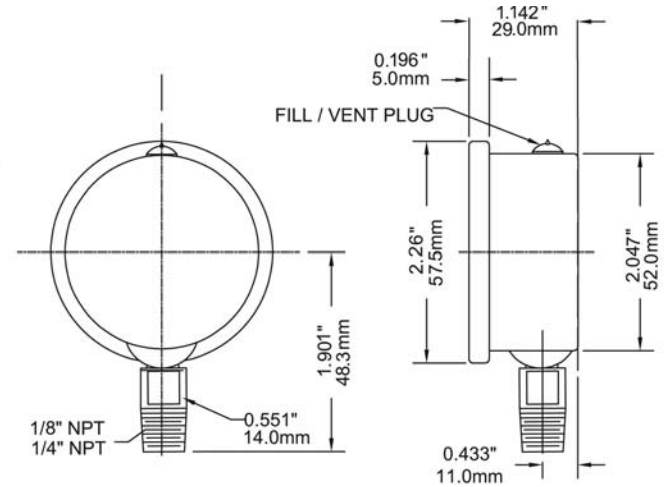
4UC-P = 4" (100mm) U-Clamp
4UC-Q = 4" (100mm) U-Clamp

4DRY = Supply 4" gauge less liquid fill
SF4 = Silicone fill

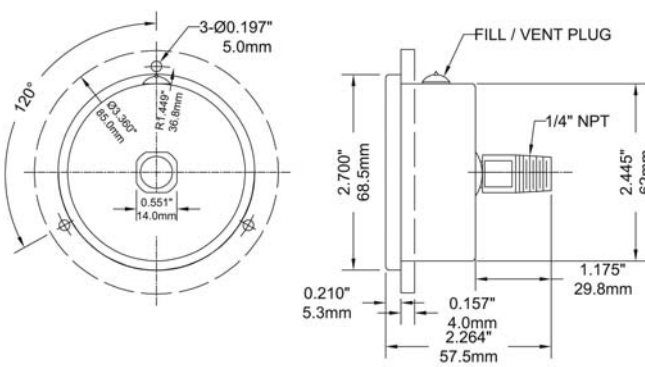
1.5" Back Connection with Front Flange and U-Clamp



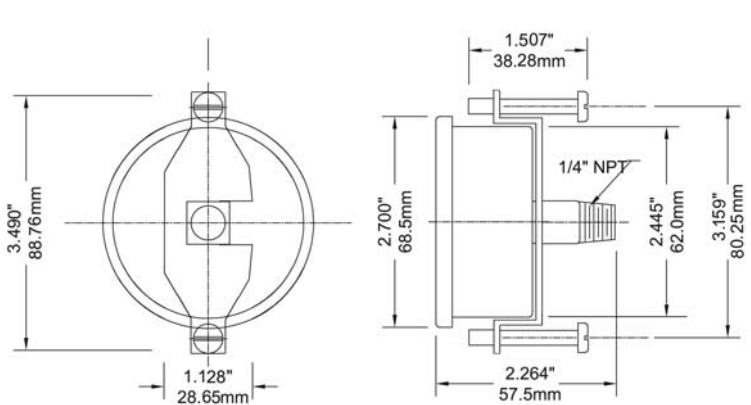
2" Bottom Connection



2.5" Back Connection with Front Flange



2.5" Back Connection with U-Clamp



4" Back Connection with Front Flange

