



N5 OPD Series Gas Regulator



The N5 OPD (Overpressure Protection Device) Series gas regulator is a Certified CSA 6.22/ANSI Z21.80 self-operating OPD two stage regulator with vent limiting for use in residential, commercial and industrial applications. The N5 OPD Certified CSA 6.22/ANSI Z21.80 vent limiting feature allows for indoor use without the need to pipe external vent lines while still maintaining the OPD protection. With the added benefit of extended corrosion resistance the N5 OPD allows for various applications where the best regulation performance and an Overpressure Protection Device is required.

FEATURES

- Certified CSA 6.22 / ANSI Z21.80 Line Pressure Regulators
- Vent limiter Standard - Vent Cap Option*
- Multi-position installation
- Extended corrosion resistance
- Dual Stage Regulation

* Vent Limiter for Indoor Use ONLY, Vent Cap required for Outdoor Use.

N5OPD Capacity - BTU x1000 - 1" Pressure Drop

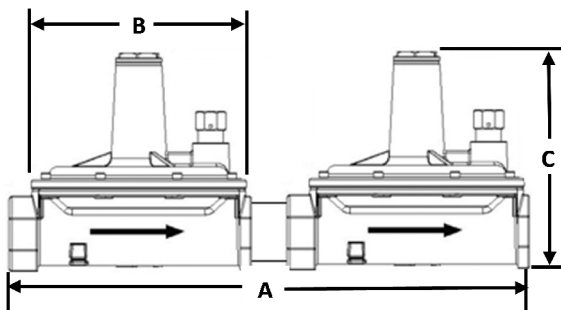
MODEL Pipe Size	Outlet Pressure Inch W.C.	Inlet Pressure PSIG					
		3		5		10	
		NG	LP	NG	LP	NG	LP
N5AOPD 3/8", 1/2", 3/4"	7	270	425	300	473	350	551
	14	240	378	265	417	280	441
N5ABOPD 1/2", 3/4"	7	400	630	575	906	650	1024
	14	390	614	470	740	610	961
N5BOPD 1/2", 3/4", 1"	7	615	969	685	1079	725	1142
	14	525	827	620	977	710	1118
N5COPD 1-1/4", 1-1/2"	7	1820	2867	1932	3043	2150	3386
	14	1675	2638	1851	2915	2000	3150
N5CDOPD 1-1/2"	7	2805	4418	3506	5522	4052	6382
	14	2603	4100	3117	4909	3506	5522
N5DOPD 1-1/2", 2"	7	3750	5906	3975	6261	4450	7009
	14	3312	5216	3565	5615	3779	5952

NG = 0.63 S.G. gas = 1CF/1000BTU LP = 1.53 S.G. gas = 1CF/2500BTU

NOTE: THE N5 OPD IS A DUAL STAGE REGULATOR PER CSA 6.22/ANSI Z21.80 AND WHICH LIMITS THE DOWNSTREAM PRESSURE TO 2PSIG.

SPECIFICATIONS

- Maximum Inlet Pressure CSA Certified: 10 psig
- Outlet Pressure Range CSA Certified: 7"-11" w.c. (Silver) 12"-14" w.c. (Yellow) P
- Maximum Emergency Inlet Exposure Pressure. . . 85 psig (Inlet Side only)
- Ambient Temperature Range. -40F to 212F
- Gas Type Natural gas, LPG, air, other dry non corrosive gas
- Mounting Positions CSA Certified Horizontal and Vertical
- Options Vent Cap, Vent elbow



Model	Pipe Size (NPT)	Vent (NPT)	Dimension (inches)			Weight (lb)
			A	B	C	
N5AOPD	3/8", 1/2", 3/4"	1/8"	9.0"	4.0"	3.5"	1.8 lb
N5ABOPD	1/2"	1/8", 3/8"	10.7"	4.0"/5.5"	5.5"	2.7 lb
N5BOPD	1/2", 3/4", 1"	3/8"	12.50"	5.5"	5.5"	3.6 lb
N5COPD	1-1/4", 1-1/2"	1/2"	15.70"	7.0"	7.5"	6.7 lb
N5CDOPD	1-1/2"	1/2"	19.50"	7.0"/9.2"	9.4"	11.1 lb
N5DOPD	1-1/2", 2"	1/2"	22.4"	9.2"	9.4"	15.5 lb