

## Model D | Gas Pressure Switches



**Model LGP-D**  
Single Gas  
Pressure Switch



**Model HLGP-D**  
High-Low Gas  
Pressure Switch

The Model D is a high-low gas pressure switch that monitors pressure and cuts off the electrical control circuit when pressure rises above or drops below the desired setpoint. The high and low gas pressure settings are adjustable. All models are available in reset or recycle type.

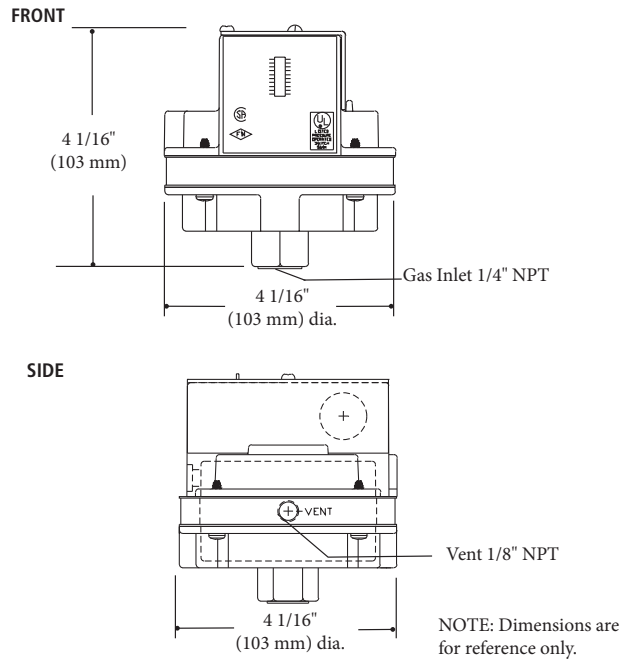
### FEATURES

- Mount horizontally without need for accurate leveling.
- Double switch may be ordered with any combination of high or low pressure ranges.
- Select range to meet your requirements.
- Two circuit control—each setpoint controls two independent, dry contacts to switch to different voltages.
- Rugged die-cast aluminum housing.
- Max. surge pressure: 10 PSI.
- Max. ambient temperature: 140°F (60°C).
- Min. ambient temperature: -40°F (-40°C).

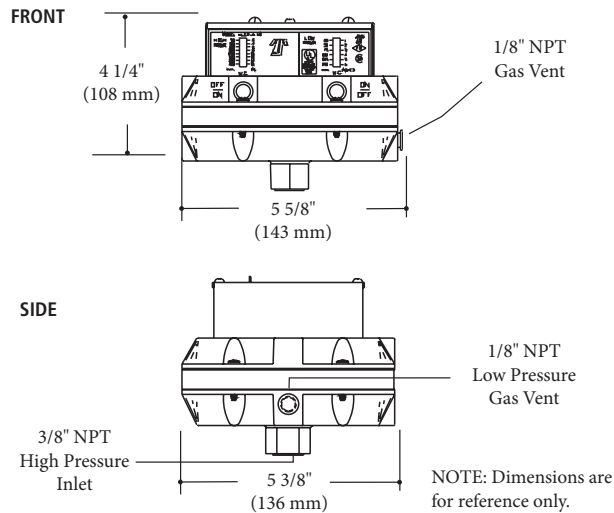


# Model D | Gas Pressure Switches

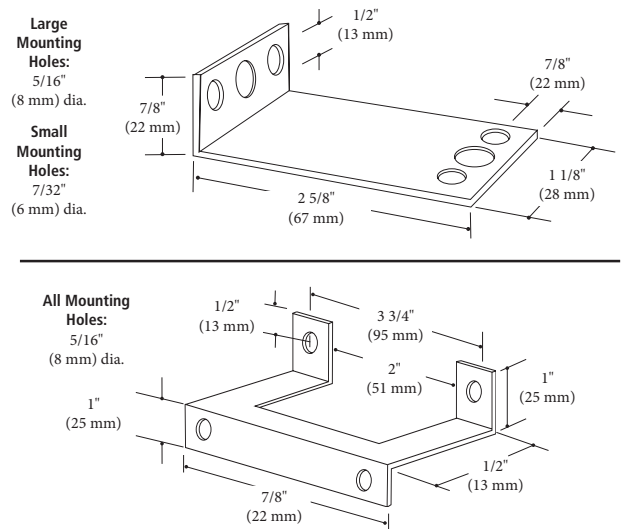
## Dimensions: Single Gas Pressure Switch



## Dimensions: High Low Gas Pressure Switch



## Mounting Brackets



## Ranges Available (All Models)

High Gas Pressure		Low Gas Pressure	
5-28" W.C.	125-700 mm	2-14" W.C.	50-350 mm
10-50" W.C.	250-1250 mm	10-50" W.C.	250-1250 mm

## Specifications

**Electrical Ratings:** 4A, 1/8HP @ 125 VAC.; 3A, 1/4 HP @ 250 VAC.; Pilot Duty 125 VA @ 125-250 VAC.

**Shipping Weight:** HGP-D, LGP-D, RHGP-D, RLGP-D: 2 lbs. (.9 kg)  
HLGP-D, RHLGP-D: 4 lbs. (1.8 kg)

## Options

**Panel Mount:** Specify "Mounting Bracket" on order

**Dust Proof:** Specify "Dust Proof" on order (recycle type only).

Pressure switch purchases shall be governed by the terms located at [www.antunes.com/terms](http://www.antunes.com/terms).

P/N 1020375 Rev. C 09/16



Antunes delivers a complete range of countertop cooking equipment and water filtration solutions to foodservice operations around the world. Learn more about Antunes and its products at [www.antunes.com](http://www.antunes.com).

**U.S. Headquarters**  
Carol Stream, Illinois  
Phone: (630) 784-1000  
Toll Free: (800) 253-2991  
Fax: (630) 784-1650

**China Facility**  
Suzhou, China  
Phone: 86-512-6841-3637  
Toll Free: 86-512-6841-3907  
Fax: 400-0-7878-22