

GAS PRESSURE REGULATOR & MODULATOR CATALOG

6th Edition



MAXITROL®

www.maxitrol.com

▲ WARNING

Service and installation must be performed by a trained/experienced service technician.

All products used with combustible gas **must** be installed and used **strictly** in accordance with the instructions of the Original Equipment Manufacturer (OEM) and with all applicable government codes and regulations, e.g. plumbing, mechanical, and electrical codes and practices. Maxitrol products should be installed and operated in accordance with Maxitrol Safety Warning Instructions.

Maxitrol Company is NOT responsible for any errors or omissions in reliance by anyone of any information set forth in this catalog without additional reference to local requirements and applicable ordinances or codes.

Other worldwide approvals and certifications available upon inquiry.



Appliance Regulators

RV Series Appliance Regulators: Rubber Seat Poppet Design.....	4-9
RV Series Appliance Regulators: Straight-Thru-Flow Design.....	10-13
325 Series Appliance Regulators: Lever Acting Design.....	14-17
R/RS Series Appliance Regulators: Balanced Valve Design.....	18-21
210 Series Appliance Regulators: Balanced Valve Design.....	22-31
RZ and 210Z Series Appliance Regulators: Zero Governor Design.....	32-37
220 Series Appliance Regulators: Pilot Loaded Design.....	38-41
SR Series Appliance Regulators: Two-Stage Design.....	42-45

Line Regulators

325L Series Line Regulators for 2PSI: Lever Acting Design.....	46-49
325L Series Line Regulators for 5PSI: Lever Acting Design.....	50-55

Modulating Valves

.....	56-63
-------	-------

Spring Selection Chart

.....	64-65
-------	-------

Sizing a Regulator

.....	66-67
-------	-------

Accessories

Venting.....	68-69
Pressure Tap Connector.....	69
Dust Cap.....	69
Tamper Proof Seals.....	69
Choosing a Vent Accessory.....	70

Definitions

.....	71
-------	----

Gas and Air Filters

.....	72-77
-------	-------

RV SERIES

Rubber Seat Poppet Design

The compact RV poppet regulators are designed primarily for main burner and pilot load applications. Typical applications include residential and commercial cooking appliances, barbecues, hearth products, and pilot lines. Maxitrol rubber seat poppet models offer the ultimate in design features and performance capabilities to meet your specific appliance or utility requirements.



RV47

Specifications

Pipe Sizes 1/8" thru 3/4" threaded connections with NPT or ISO 7-1 threads.
(Other connections available, please consult Maxitrol Company.)

Housing Material RV12, RV20, RV47, RV48, CV47, CV48: aluminum.

Mounting All models, with the exception of "D" suffix models, are suitable for multi-positional mounting. Other than upright position will result in a slight difference in outlet pressure. "D" suffix models are to be mounted upright only. For the RV48, if a **vLimiter**[®] or **vProtector**[®] is installed, mount in an upright horizontal position only. The **vLimiter**[®] 12A06 is multi-positional.

NOTE: All Maxitrol gas pressure regulators should be installed and operated in accordance with Maxitrol Safety Warning Instructions (see GPR_MI_EN.ES or GPR_CSA_MI_EN.FR).

Certifications RV Series: ANSI Z21.18/CSA 6.3 Gas Appliance Pressure Regulators.
CV47 and CV48 Series: ANSI Z21.78/CSA 6.20 Combination Gas Controls for Gas Appliances.

Fuel Gases (RV Series) Suitable for natural, manufactured, mixed gases, liquefied petroleum gases, and LP gas-air mixtures.

Fuel Gases (CV47 Series) Suitable for natural or liquefied petroleum gases.

Rated Inlet Pressure 1/2 psi (3.4 kPa)

Emergency Exposure Limits 2.5 psi (17.2 kPa)

Ambient Temperature Ranges... RV20, RV47, RV48, CV47, CV48: 32° to 225°F (0° to 107°C)
RV12: -40 to 225°F (-40 to 107°C)
RV12T: -40 to 275°F (-40 to 135°C)
RV20T: -40 to 300°F (-40 to 148°C)
RV48T: 32 to 275°F (0 to 135°C)
RV47T2, RV48T2: -40 to 225°F (-40 to 107°C)

Minimum Regulation..... Suitable for pilot flow applications. **(P)** (Circle P) (0.15 CFH NG), **(Δ)** (Delta P) (0.50 CFH NG), None (1.5 CFH NG), N Models (3 CFH NG).



Model Designations

Models having a suffix letter or a combination of suffix letters listed below indicates the design modifications described.

- A** Limited spring adjustment (RV47A & CV47A*, short stack**).
 - C** Convertible regulators***; preset to deliver outlet pressures for either natural or LP gases.
(RV20, RV47, RV48, CV47, CV48)
 - D** Integral ball check limiting device; permits higher maximum individual load (RV47).
(see Capacities and Pressure Drop, page 6)
 - E** Excessive pressure rated.
 - F** Factory-set; fixed/non-adjustable regulator.
 - I** Left side integral manual valve; outlet faces main inlet (CV47).
 - L** Integral vent limiting orifice as the breather hole - with dust cap.
 - M** B.S.P. - PL parallel thread - conforms to ISO 7-1, where pressure tight joints are made on the threads.
 - N** Internal by-pass orifice to prevent lockup. Main burner only (RV20, RV47, RV48, CV47).
 - R** Right side+ integral manual valve; outlet faces main outlet (CV47).
 - SR** Side outlet pressure plugged tap; right side+ 1/8" NPT (RV20, RV47, RV48, CV47I).
 - S** Side outlet pressure plugged tap; left side+ 1/8" NPT (RV20, RV47, RV48, CV47R).
 - T** Higher ambient temperature range.
 - T2** Lower minimum ambient temperature (RV47, RV48).
 - V** Threaded vent connector, 5/16-24 for 1/8" tubing connection (RV20) - with dust cap.
- * CV47 and CV48 are best described as an RV47 and RV48 with an extra regulated outlet. This outlet contains an integral manual valve located on the valve body's side.
 - ** Short stack models have an adjustment range of less than 2" w.c. (0.5 kPa); these models are advantageous where installation must be made in a limited space.
 - *** Convertible regulators are designed to deliver either of two fixed outlet pressures for natural or LP gases.
RV20C: NAT GAS: 4.0" w.c. (1.0 kPa); LP: 10" w.c. (2.5 kPa)
RV47C, RV48C, CV47C, CV48C: NAT GAS: 4.0", 5.0" or 6.0" w.c. (1.0, 1.3, or 1.5 kPa); LP: 10" or 11" w.c. (2.5 or 2.8 kPa) for residential ranges. Other settings may be available as standards allow.
 - + Left and right is determined when viewing regulator from outlet side with stack up.

NOTE: For the RV48 and RV20V vent accessory options, see page 62.

RV SERIES

Rubber Seat Poppet Design

Capacities and Pressure Drop

Capacities expressed in Btu/h (m³/h) @ 0.64 sp gr gas

Model	Pipe Size	Pressure Drop @ 0.3" w.c. or (0.07 kPa)	Range of Regulation		Individual Load	
			Main Burner	Main Burner & Pilot	Fixed Orifice	Ball Check Device
RV12	1/8" x 1/8"*	14,800 (0.42)	30,000 (0.85)	25,000 (0.71)	20,000 (0.56)	---
	3/16" x 3/16"Loxit	8,800 (0.25)		15,000 (0.43)		
RV20	1/4" x 1/4" 3/8" x 3/8"*	30,000 (0.85)	65,000 (1.84)	50,000 (1.4)	30,000 (0.85)	---
RV20C	1/4" x 1/4" 3/8" x 3/8"	30,000 (0.85)	75,000 (2.11)	50,000 (1.4)	15,000 (0.42)	---
CV47 RV47	3/8" x 3/8"	55,000 (1.5)	125,000 (3.5)	90,000 (2.5)	40,000 (1.1)	125,000 (3.5)
	1/2" x 1/2"*	60,000 (1.7)				
CV47A or C RV47A or C	3/8" x 3/8"	55,000 (1.5)	125,000 (3.5)	125,000 (3.5)	40,000 (1.1)	125,000 (3.5)
	1/2" x 1/2"	60,000 (1.7)				
CV48 RV48	1/2" x 1/2"	130,000 (3.7)	230,000 (6.5)	230,000 (6.5)	40,000 (1.1)	160,000 (4.5)
	3/4" x 3/4"	150,000 (4.2)	250,000 (7.1)	250,000 (7.1)		
CV48C RV48C	1/2" x 1/2"	130,000 (3.7)	400,000 (11.3)	275,000 (7.8) Nat	40,000 (1.1)	160,000 (4.5)
	3/4" x 3/4"	150,000 (4.2)		275,000 (3.1) LP		

*Also available as Loxit connection.

NOTE: CSA maximum capacities vary with spring range and pipe size. Please contact Maxitrol directly for CSA maximums. Minimum main burner regulation capacity for all models (except "N") is 150 Btu/hr (0.0042 m³/h). See pages 58-59 for Regulator Sizing Requirements and Examples.

Spring Selection Chart: inches w.c. (kPa)

Model	Available Springs										
RV12	1.5 to 3* (0.37 to 0.75) Brown	2.8 to 5.2 (0.69 to 1.3) Plated	---	4 to 8 (1 to 2) Orange	---	---	---	---	6 to 10 (1.5 to 2.5) Red	8 to 12 (2 to 3) Blue	---
RV20	1 to 3.5* (0.25 to 0.9) Brown	2.8 to 5.2 (0.69 to 1.3) Plated	---	4 to 8 (1 to 2) Orange	---	---	---	---	6 to 10 (1.5 to 2.5) Red	8 to 12 (2 to 3) Blue	9 to 12** (2.25 to 3) Plated
CV47 RV47	1 to 3.5* (0.25 to 0.9) Brown	2.8 to 5.2 (0.69 to 1.3) Plated	3.8 to 4.3 (0.95 to 1.08) Black	4 to 8 (1 to 2) Orange	4 to 12* (1 to 3) Violet	4.7 to 5.3 (1.18 to 1.33) Green	---	5.6 to 6.4 (1.4 to 1.6) Red	6 to 10 (1.5 to 2.5) Red	8 to 12 (2 to 3) Blue	9.7 to 11.3 (2.42 to 2.83) Plated
CV48 RV48	1 to 3.5* (0.25 to 0.9) Brown	3.0 to 6.0 (0.75 to 1.5) Plated	---	4 to 8 (1 to 2) Orange	---	---	5 to 12 (1.25 to 3) Blue	---	6 to 10 (1.5 to 2.5) Red	---	---

*Uncertified Spring

**Certified at inlet pressure of 2 psi

Model	Available Springs					
RV20CL	4 / 10 (1 / 2.5)	---	---	---	---	---
CV47CL*** RV47CL***	4 / 10 (1 / 2.5)	4 / 11 (1 / 2.75)	5 / 10 (1.25 / 2.5)	5 / 11 (1.25 / 2.75)	6 / 10 (1.5 / 2.5)	6 / 11 (1.5 / 2.75)
CV48C RV48C(L)***	4 / 10 (1 / 2.5)	4 / 11 (1 / 2.75)	5 / 10 (1.25 / 2.5)	5 / 11 (1.25 / 2.75)	6 / 10 (1.5 / 2.5)	6 / 11 (1.5 / 2.75)

***Listed spring ranges are for residential ranges. Other settings may be available as standards allow.

NOTE: See pages 56-57 for complete Spring Selection Chart.

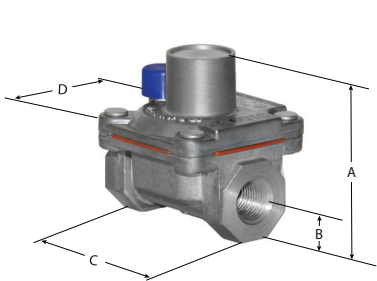
RV SERIES

Rubber Seat Poppet Design

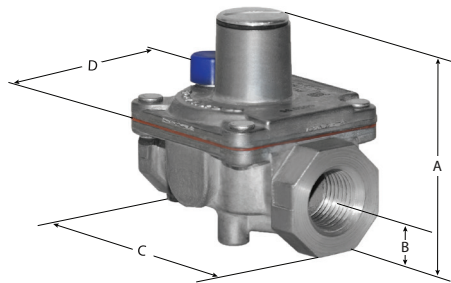
Dimensions

Model	Pipe Size	Vent	Swing Radius	Dimensions			
				A	B	C	D
RV12	1/8" 3/16"Loxit	Integral Vent Limiting Orifice "L"	1.4" (35 mm)	1.7" (43 mm)	0.4" (10 mm)	1.7" (43 mm)	1.4" (35 mm)
RV20	1/4", 3/8"	Integral Vent Limiting Orifice "L" or 5/16-24 "V"	1.6" (41 mm)	2.1" (54 mm)	0.5" (13 mm)	2.4" (61 mm)	1.8" (45 mm)
CV47 RV47	3/8", 1/2"	Integral Vent Limiting Orifice "D" or "L" suffix	1.9" (48 mm)	2.5" (64 mm)	0.6" (16 mm)	2.9" (75 mm)	2.3" (57 mm)
CV47A RV47A			1.6" (41 mm)	2.3" (57 mm)			
CV48 RV48	1/2", 3/4"	Integral "L" or 1/8" NPT, 12A04 or 12A06 vent limiting device	2" (51 mm)	2.8" (70 mm)	0.8" (19 mm)	3.4" (86 mm)	3" (76 mm)

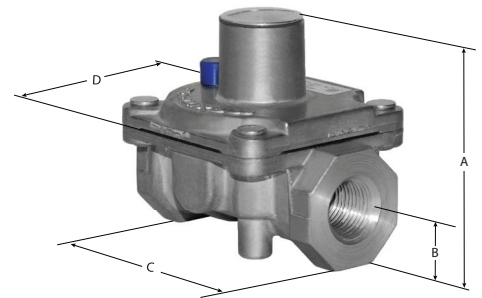
NOTE: Dimensions are maximums and to be used only as an aid in designing clearance for the valve.
Actual production dimensions may vary somewhat from those shown.



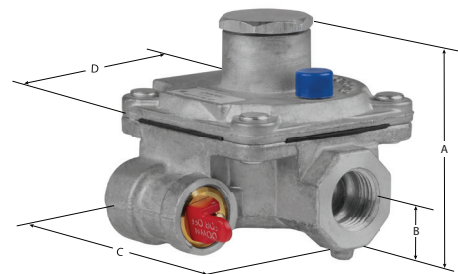
RV12



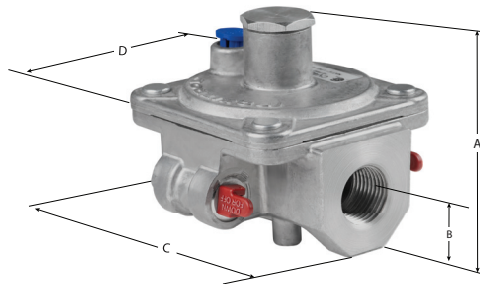
RV20



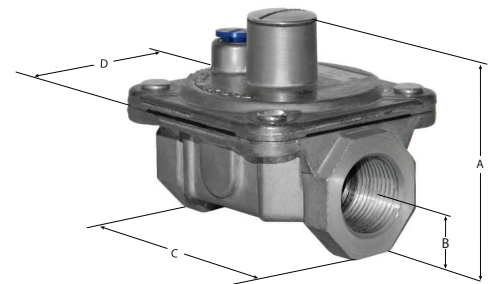
RV47, RV47A



CV47, CV47A

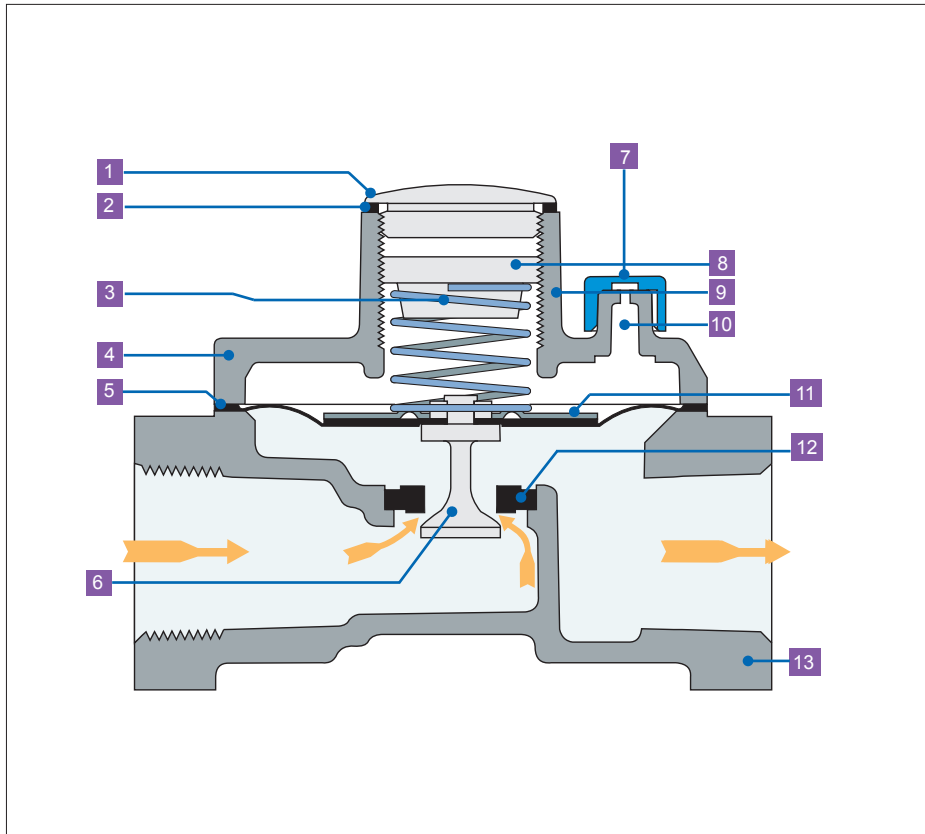


CV48



RV48

Rubber Seat Poppet Design



- 1** Welch Plug or Seal Cap
- 2** Seal Cap Gasket
- 3** Spring
- 4** Top Housing
- 5** Diaphragm
- 6** Stem & Valve
- 7** Dust Cap
- 8** Adjusting Screw
- 9** Stack
- 10** Vent
- 11** Diaphragm Plate
- 12** Rubber Seat
- 13** Bottom Housing

NOTE: Diagrams are graphical representations only and may differ from actual product.

RV SERIES

Straight-Thru-Flow Design

Maxitrol's original straight-thru-flow (STF) design regulators are non-lockup type regulators for high capacities at low inlet pressures. The difference between STF design and other type regulators is the conical valve. The cone principal permits gas to flow straight through the regulator without changing direction. Frictional flow resistance is reduced, resulting in greater capacity. An improved flow pattern provides accurate, sensitive regulation at extremely low pressure differentials. Typical applications include residential, commercial, and industrial gas-fired appliances and equipment used on low or medium pressure gas supplies.



Specifications

Pipe Sizes 1/2" to 3" threaded connections with NPT or ISO 7-1 threads. 4" 150lb.

Housing Material RV52, RV53, RV61, RV81, RV91, RV111: aluminum

Mounting RV52, RV53, RV61 are suitable for multi-positional mounting. RV81, RV91, RV111, mount in an upright position only. If a **vLimiter**[®] or **vProtector**[®] is installed, mount in an upright horizontal position only. The **vLimiter**[®] 12A06 is multi-positional.

NOTE: All Maxitrol gas pressure regulators should be installed and operated in accordance with Maxitrol Safety Warning Instructions (see GPR_MI_EN.ES or GPR_CSA_MI_EN.FR).

Certifications RV52, RV53, RV61, RV81, RV91, RV111: ANSI Z21.18/CSA6.3 Gas Appliance Pressure Regulators.

Fuel Gases Suitable for natural, manufactured, mixed gases, liquefied petroleum gases, and LP gas-air mixtures.

Rated Inlet Pressure CSA Certified: RV52, RV53, RV61, RV81, RV91, RV111: 1/2 psi (3.4 kPa)

Maxitrol Tested* RV52, RV53: 1/2 psi (3.4 kPa)

RV61, RV81, RV91, RV111: 1 psi (6.9 kPa)

*Do not use if inlet pressure is more than 10 times desired outlet pressure.

Emergency Exposure Limits RV52, RV53: 3 psi (21 kPa)
RV61, RV81, RV91, RV111: 5 psi (34 kPa)

Gas Containment Limits RV52, RV53: 15 psi (103 kPa)
RV61, RV81, RV91, RV111: 25 psi (172 kPa)

NOTE: Internal damage may occur when exposed to these pressures.

Ambient Temperature Ranges... RV52, RV53, RV61, RV81, RV91, RV111: -40 to 205°F (-40 to 96°C)
RV131: -40 to 125°F (-40 to 52°C)

Minimum Regulation..... RV52, RV53: 20 CFH; RV61: 25 CFH; RV81, RV91: 50 CFH; RV111: 250 CFH.
Expressed in CFH @ 0.64 sp gr gas.

Model Designations (F) Factory-set; fixed non-adjustable regulator.

(M) B.S.P. - PL parallel thread - conforms to ISO 7-1, where pressure tight joints are made on the threads.



Capacities and Pressure Drop

Capacities expressed in CFH (m³/h) @ 0.64 sp gr gas

Model	Pipe Size	CSA MAX	Pressure Drop - inches w.c. (kPa)												
			0.1 (0.02)	0.2 (0.04)	0.3 (0.07)	0.4 (0.10)	0.5 (0.12)	0.6 (0.15)	0.7 (0.17)	0.8 (0.20)	0.9 (0.22)	1.0 (0.25)	2.0 (0.5)	3.0 (0.75)	4.0 (1.0)
RV52	1/2" x 1/2" 3/4" x 3/4"	450 (12.7)	151 (4.2)	214 (6.1)	262 (7.4)	302 (8.5)	338 (9.5)	370 (10.5)	400 (11.3)	427 (12.1)	453 (12.8)	478 (13.5)	676 (19.1)	828 (23.4)	956 (27.1)
RV53	3/4" x 3/4" 1" x 1"	690 (19.5)	217 (6.1)	306 (8.6)	375 (10.6)	433 (12.2)	484 (13.7)	530 (15)	573 (16.2)	612 (17.3)	650 (18.4)	684 (19.3)	968 (27.4)	1185 (33.5)	1369 (38.7)
RV61	1" x 1" 1 1/4" x 1 1/4"	900 (24.5)	379 (10.7)	536 (15.1)	675 (19.1)	759 (21.5)	848 (24.0)	929 (26.3)	1004 (28.4)	1073 (30.4)	1138 (32.2)	1200 (34.0)	1742 (49.3)	2134 (60.4)	2464 (69.8)
RV81	1 1/4" x 1 1/4" 1 1/2" x 1 1/2"	2500 (70.8)	780 (22.1)	1102 (31.2)	1350 (38.2)	1559 (44.1)	1743 (49.5)	1909 (54.0)	2062 (58.4)	2204 (62.4)	2339 (66.2)	2465 (69.8)	3485 (98.7)	4269 (120)	4929 (139)
RV91	2" x 2" 2 1/2" x 2 1/2"	3275 (92.7)	1212 (34.3)	1714 (48.5)	2100 (59.4)	2424 (68.6)	2711 (76.7)	2969 (84.1)	3208 (90.8)	3429 (97.1)	3637 (103)	3834 (108)	5422 (153)	6640 (188)	7668 (217)
RV111	2 1/2" x 2 1/2" 3" x 3"	7500 (212)	2742 (78.0)	3878 (110)	4750 (134)	5485 (155)	6132 (175)	6718 (190)	7256 (205)	7757 (219)	8227 (233)	8572 (243)	12134 (343)	14862 (420)	17161 (486)

NOTE: See pages 58-59 for Regulator Sizing Requirements and Examples.

Spring Selection Chart: inches w.c. (kPa)

Model	CSA Certified Springs			Other Springs Available							
	3 to 6 (0.75 to 1.5) Plated	4 to 8 (1 to 2) Orange	5 to 12 (1.25 to 3) Blue	1 to 3.5 (0.25 to 0.9) Brown	2 to 5 (0.5 to 1.25) Plated	3 to 8 (0.75 to 2) Pink	4 to 12 (1 to 3) Violet	---	---	---	---
RV52	3 to 6 (0.75 to 1.5) Plated	4 to 8 (1 to 2) Orange	5 to 12 (1.25 to 3) Blue	1 to 3.5 (0.25 to 0.9) Brown	2 to 5 (0.5 to 1.25) Plated	3 to 8 (0.75 to 2) Pink	4 to 12 (1 to 3) Violet	---	---	---	---
RV53	3 to 6 (0.75 to 1.5) Plated	4 to 8 (1 to 2) Orange	5 to 12 (1.25 to 3) Blue	1 to 3.5 (0.25 to 0.9) Brown	2 to 5 (0.5 to 1.25) Plated	3 to 8 (0.75 to 2) Pink	4 to 12 (1 to 3) Violet	---	---	---	---
RV61	3 to 6 (0.75 to 1.5) Plated	4 to 8 (1 to 2) Orange	5 to 12 (1.25 to 3) Blue	1 to 3.5 (0.25 to 0.9) Brown	2 to 5* (0.5 to 1.25) Plated	3 to 8 (0.75 to 2) Pink	---	---	10 to 22 (2.5 to 5.5) Red	---	---
RV81	3 to 6 (0.75 to 1.5) Plated	4 to 8 (1 to 2) Orange	5 to 12 (1.25 to 3) Blue	1 to 3.5 (0.25 to 0.9) Brown	2 to 5 (0.5 to 1.25) Plated	3 to 8 (0.75 to 2) Pink	4 to 12 (1 to 3) Violet	5 to 15 (1.25 to 3.7) Green	10 to 22 (2.5 to 5.5) Red	---	---
RV91	3 to 6 (0.75 to 1.5) Plated	4 to 8 (1 to 2) Orange	5 to 12 (1.25 to 3) Blue	1 to 3.5 (0.25 to 0.9) Brown	2 to 5 (0.5 to 1.25) Plated	3 to 8 (0.75 to 2) Pink	4 to 12 (1 to 3) Violet	5 to 15 (1.25 to 3.7) Green	10 to 22 (2.5 to 5.5) Red	---	---
RV111	3 to 6 (0.75 to 1.5) Plated	4 to 8 (1 to 2) Orange	5 to 12 (1.25 to 3) Blue	1 to 3.5 (0.25 to 0.9) Brown	2 to 5 (0.5 to 1.25) Plated	3 to 8 (0.75 to 2) Pink	4 to 12 (1 to 3) Violet	5 to 15 (1.25 to 3.7) Green	10 to 22 (2.5 to 5.5) Red	---	---

NOTE: The area within the heavy line indicates CSA certified springs. See pages 56-57 for complete Spring Selection Chart.

* The 2 to 5 inches w.c. (0.5 to 1.25 kPa) spring is also CSA certified for the RV61

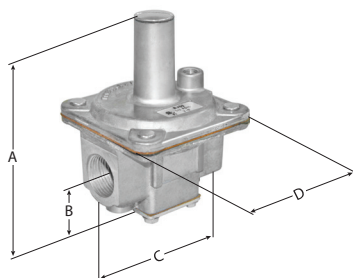
RV SERIES

Straight-Thru-Flow Design

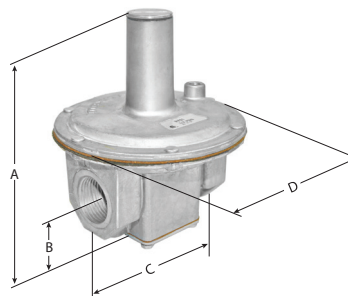
Dimensions

Model	Pipe Size	Vent Connection	Swing Radius	Dimensions			
				A	B	C	D
RV52	1/2", 3/4"	1/8" NPT	3.6" (91 mm)	4.9" (124 mm)	1.3" (33 mm)	3.2" (81 mm)	3.3" (83 mm)
RV53	3/4", 1"	1/8" NPT	3.9" (99 mm)	5.2" (132 mm)	1.3" (33 mm)	3.8" (95 mm)	3.9" (99 mm)
RV61	1", 1 1/4"	1/8" NPT	4.8" (122 mm)	6.4" (164 mm)	1.6" (41 mm)	4.4" (111 mm)	5.4" (138 mm)
RV81	1 1/4", 1 1/2"	3/8" NPT	6.4" (162 mm)	8.4" (213 mm)	2" (51 mm)	6" (153 mm)	7" (178 mm)
RV91	2"	1/2" NPT	8.5" (216 mm)	10.8" (275 mm)	2.3" (60 mm)	6.5" (165 mm)	9.1" (232 mm)
	2 1/2"	1/4" NPT	8.3" (212 mm)	10.5" (267 mm)	2.4" (62 mm)	7.1" (181 mm)	9.1" (232 mm)
RV111	2 1/2", 3"	3/4" NPT	11.5" (284 mm)	15.1" (373 mm)	3.5" (89 mm)	9" (229 mm)	13.4" (324 mm)

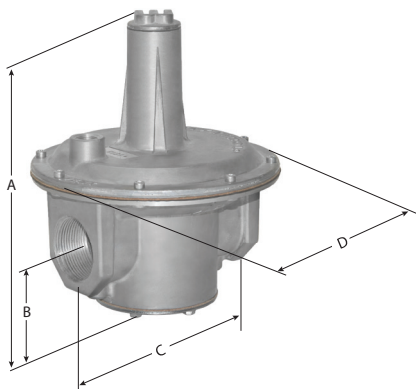
NOTE: Dimensions are maximums and to be used only as an aid in designing clearance for the valve. Actual production dimensions may vary somewhat from those shown.



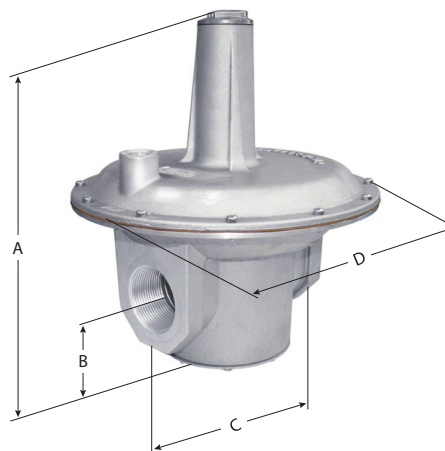
RV52, RV53



RV61

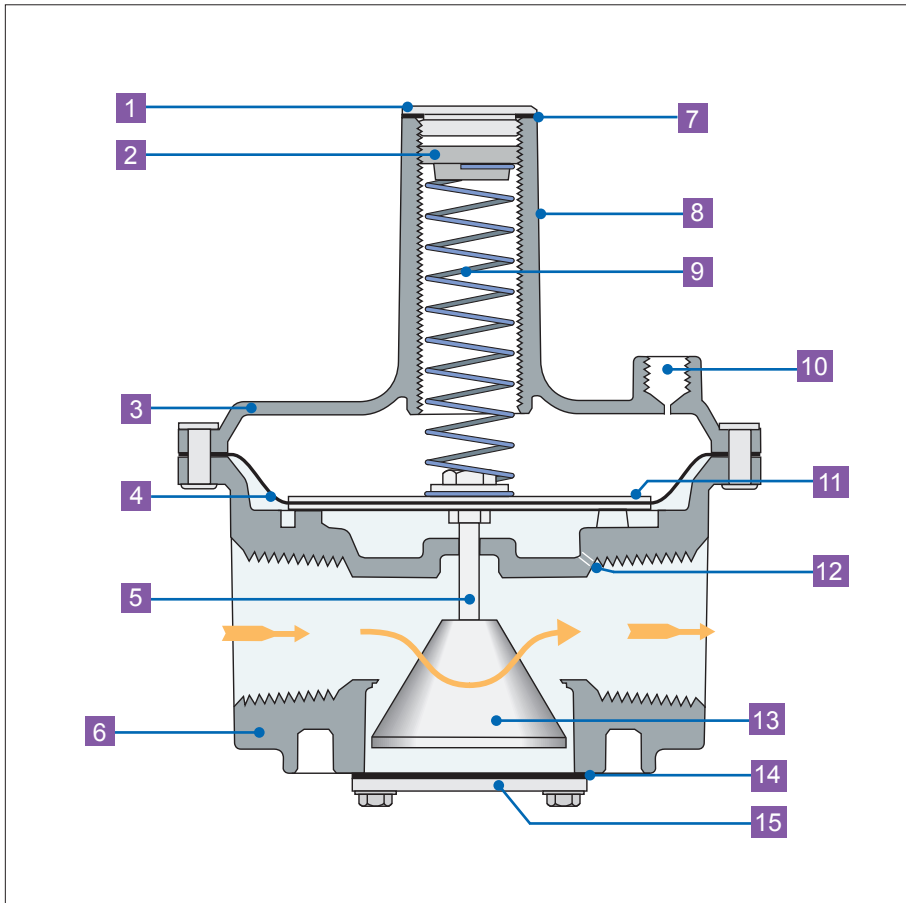


RV81, RV91



RV111

Straight-Thru-Flow Design



- 1 Welch Plug or Seal Cap
- 2 Vibration Resistant Adjusting Screw
- 3 Top Housing
- 4 Diaphragm
- 5 Stem
- 6 Bottom Housing
- 7 Seal Cap Gasket
- 8 Stack
- 9 Spring
- 10 Vent Connection
- 11 Diaphragm Plates
- 12 Sensing Hole
- 13 Valve
- 14 Bottom Plate Gasket
- 15 Bottom Plate

NOTE: Diagrams are graphical representations only and may differ from actual product.

325 SERIES

Lever Acting Design

Maxitrol's 325 series pounds to inches regulators are for use on residential, commercial, and industrial applications.

The 325 series features a high leverage valve linkage assembly to deliver positive dead-end lockup. The regulators are capable of precise control from full flow down to pilot flow.



Specifications

Pipe Sizes 3/8" to 3" threaded connections with NPT or ISO 7-1 threads.

Housing Material 325-3, 325-5, 325-7A, 325-9, 325-11: aluminum.

Mounting Suitable for multi-positional mounting. If a **v**Limiter® or **v**Protector® is installed, mount in an upright horizontal position only.

NOTE: All Maxitrol gas pressure regulators should be installed and operated in accordance with Maxitrol Safety Warning Instructions (see GPR_MI_EN.ES or GPR_CSA_MI_EN.FR).

Certifications 325-3, 325-5: ANSI Z21.18/CSA 6.3 Gas Appliance Pressure Regulators.

Fuel Gases Suitable for natural, manufactured, mixed gases, liquefied petroleum gases, and LP gas-air mixtures.

Rated Inlet Pressure CSA Certified: 325-3, 325-5: 2 psi (13.8 kPa), 5 psi (34.5 kPa)

Maxitrol Tested 325-3, 325-5, 325-7A, 325-9, 325-11: 10 psi (69 kPa)
With Vent Limiter 12A09, 12A39, or 12A49 Installed:
325-3, 325-5, 325-7A, 325-9: 5 psi (34.5 kPa) - Natural, 2 psi (13.8 kPa) - LP

Emergency Exposure Limits 65 psi (450 kPa) (inlet side only)

Maximum Individual Load Largest single appliance served by the regulator: 325-3: 100,000 Btu/h; 325-5: 325,000 Btu/h; (325-3 & 325-5 with 4" to 12" springs: 40,000 Btu/h); 325-7A: 1,250,000 Btu/h; 325-9: 2,250,000 Btu/h; 325-11: 4,500,000 Btu/h

Capacity Total load of multiple appliances combined: 325-3: 150,000 Btu/h; 325-5: 325,000 Btu/h; 325-7A: 1,250,000 Btu/h; 325-9: 2,250,000 Btu/h; 325-11: 4,500,000 Btu/h

NOTE: Capacities are used to determine the maximum multiple appliance load. The largest single appliance served by the regulator should not exceed the maximum individual load specified above.

Ambient Temperature Ranges -40 to 205°F (-40 to 96°C)

Minimum Regulation Suitable for pilot flow applications. (P) (Circle P) (0.15 CFH NG), None (1.5 CFH NG).

NOTICE

Maxitrol vent limiting devices eliminate the need to run vent piping to the outside. Vent limiting devices are designed for use indoors and in spaces where limiting the amount of gas escapement due to diaphragm failure is critical. **Vent limiting devices should not be used outdoors if they are exposed to the environment.** When installed outdoors, the use of a certified Maxitrol Vent Protector is recommended.

APPLIANCE REGULATORS



Capacities: based on 1" w.c. pressure drop, from set point*

Capacities expressed in CFH (m³/h) @ 0.64 sp gr gas

Model	Pipe Size	Outlet Pressure Set Point	CSA MAX CFH	Operating Inlet Pressure					
				0.5 psi (3.4 kPa)	0.75 psi (5.2 kPa)	1 psi (6.9 kPa)	2 psi (13.8 kPa)	5 psi (34.5 kPa)	10 psi (69.0 kPa)
325-3	3/8" x 3/8" 1/2" x 1/2"	4.0" w.c. (1.0 kPa)	150 (4.2)	160 (4.5)	190 (5.4)	220 (6.2)	220 (6.2)	300 (8.5)	320 (9.1)
		7.0" w.c. (1.7 kPa)	150 (4.2)	120 (3.4)	150 (4.2)	180 (5.1)	220 (6.2)	290 (8.2)	320 (9.1)
		10.0" w.c. (2.5 kPa)	150 (4.2)	100 (2.8)	120 (3.4)	150 (4.2)	220 (6.2)	280 (7.9)	320 (9.1)
325-5	1/2" x 1/2" 3/4" x 3/4" 1" x 1"	4.0" w.c. (1.0 kPa)	325 (9.2)	340 (9.6)	390 (11.0)	450 (12.7)	560 (15.9)	680 (19.3)	750 (21.2)
		7.0" w.c. (1.7 kPa)	325 (9.2)	260 (7.4)	360 (10.2)	410 (11.6)	530 (15.0)	680 (19.3)	750 (21.2)
		10.0" w.c. (2.5 kPa)	325 (9.2)	240 (6.8)	320 (9.1)	360 (10.2)	500 (8.5)	650 (18.4)	750 (21.2)
325-7A	1 1/4" x 1 1/4" 1 1/2" x 1 1/2"	4.0" w.c. (1.0 kPa)	—	850 (24.0)	1060 (30.0)	1190 (33.7)	1600 (45.3)	2090 (59.2)	2190 (62.0)
		7.0" w.c. (1.7 kPa)	—	780 (22.0)	950 (26.9)	1060 (30.0)	1500 (42.5)	1860 (52.7)	2060 (58.3)
		10.0" w.c. (2.5 kPa)	—	650 (18.4)	860 (24.4)	990 (28.0)	1300 (36.8)	1620 (45.9)	2060 (58.3)
325-9	1 1/2" x 1 1/2" 2" x 2"	4.0" w.c. (1.0 kPa)	—	1815 (51.4)	2075 (58.8)	2250 (63.7)	2660 (75.3)	3550 (100.5)	3750 (106.2)
		7.0" w.c. (1.7 kPa)	—	1430 (40.5)	1660 (47.0)	1960 (55.5)	2570 (72.8)	3420 (96.8)	3750 (106.2)
		10.0" w.c. (2.5 kPa)	—	1275 (36.1)	1450 (41.1)	1720 (48.7)	2160 (61.2)	3150 (89.2)	3750 (106.2)
325-11	2" x 2" 2 1/2" x 2 1/2" 3" x 3"	4.0" w.c.	—	2800 (79.3)	3850 (109.0)	4550 (128.8)	5530 (156.6)	6120 (173.3)	9150 (259.1)
		7.0" w.c.	—	1940 (54.9)	3000 (85.0)	3700 (104.8)	4750 (134.5)	5650 (160.0)	9150 (259.1)
		10.0" w.c.	—	1440 (40.8)	2320 (65.7)	2800 (79.3)	4420 (125.2)	5400 (152.9)	9150 (259.1)

NOTE: Maximum Individual Load: 325-3(B) is 100 CFH (2.8 m³/h); 325-5(B) is 325 CFH (9.2 m³/h); 325-7A(B) is 1250 CFH (35.4 m³/h); 325-9(B) is 2250 CFH (63.7). Approval based on use as an appliance regulator.

*Set points (in CFH): 325-3(B) = 50; 325-5(B) = 150; 325-7A(B) = 500; 325-9(B) = 1000; 325-11(B) = 2000. See pages 58-59 for Regulator Sizing Requirements and Examples.

Spring Selection Chart: inches w.c. (kPa) unless noted

Model	CSA Certified				Standard Spring	Other Springs Available			
	2 psi (13.8 kPa)		5 psi (34.5 kPa)			2 to 6	10 to 22	15 to 30	1 to 2 psi
325-3	5 to 9 (1.25 to 2.25) Plated	7 to 11 (1.7 to 2.7) White	6 to 10 (1.5 to 2.5) Plated	7 to 11 (1.7 to 2.7) White	4 to 12** (1.0 to 3.0) Violet	2 to 6 (0.5 to 1.5) Plated	10 to 22 (2.5 to 5.5) Red	15 to 30 (3.7 to 7.5) Yellow	1 to 2 psi (6.9 to 13.9) Tagged
325-5	5 to 9 (1.25 to 2.25) Plated	7 to 11 (1.7 to 2.7) White	6 to 10 (1.5 to 2.5) Plated	7 to 11 (1.7 to 2.7) White	4 to 12** (1.0 to 3.0) Violet	2 to 6 (0.5 to 1.5) Plated	10 to 22 (2.5 to 5.5) Red	15 to 30 (3.7 to 7.5) Yellow	1 to 2 psi (6.9 to 13.9) Tagged
325-7A	—	—	—	—	4 to 12 (1.0 to 3.0) Violet	2 to 5 (0.5 to 1.5) Plated	10 to 22 (2.5 to 5.5) Red	15 to 30 (3.7 to 7.5) Yellow	20 to 42 (5.0 to 10.4) Black
325-9	—	—	—	—	4 to 12 (1.0 to 3.0) Violet	2 to 5 (0.5 to 1.5) Plated	10 to 22 (2.5 to 5.5) Red	15 to 30 (3.7 to 7.5) Yellow	20 to 42 (5.0 to 10.4) Black
325-11	—	—	—	—	4 to 12 (1.0 to 3.0) Violet	2 to 5 (0.5 to 1.5) Plated	10 to 22 (2.5 to 5.5) Red	15 to 30 (3.7 to 7.5) Yellow	20 to 42 (5.0 to 10.4) Black

NOTE: See pages 56-57 for complete Spring Selection Chart.

** CSA certified per request, limited capacity.

325 SERIES

Lever Acting Design

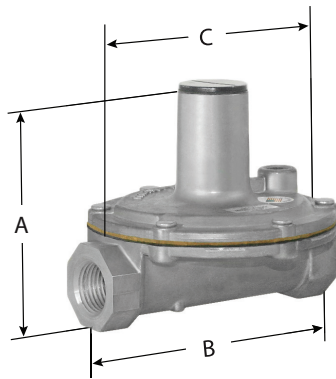
Pressure Drop: 0.64 sp gr gas expressed in CFH (m³/h) (for system pressure drop calculations)

Model	7.0" w.c. (1.7 kPa)	0.5 psi (3.4 kPa)	0.75 psi (5.2 kPa)	1 psi (6.9 kPa)	2 psi (13.8 kPa)
325-3	145 (4.0)	204 (5.8)	250 (7.0)	289 (8.2)	—
325-5	400 (11.3)	550 (15.6)	670 (19.0)	770 (21.8)	—
325-7A	815 (23.1)	1149 (32.5)	1405 (39.8)	1624 (46.0)	2305 (65.3)
325-9	1360 (38.5)	2113 (59.8)	2557 (72.4)	2949 (83.5)	4059 (114.8)
325-11	3000 (85.0)	4220 (119.5)	5170 (146.4)	6000 (169.9)	8485 (240.3)

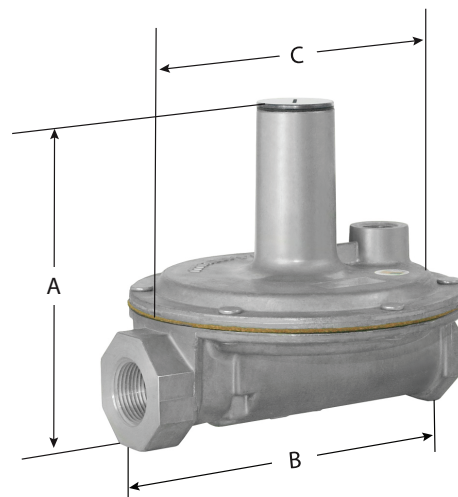
Dimensions

Model	Pipe Size	Vent Connection	Swing Radius	Dimensions		
				A	B	C
325-3	3/8", 1/2"	1/8" NPT	3" (76 mm)	3.5" (89 mm)	4.2" (108 mm)	3.9" (98 mm)
325-5	1/2", 3/4", 1"	3/8" NPT	4.9" (124 mm)	5.3" (133 mm)	5.9" (149 mm)	5.4" (138 mm)
325-7A	1 1/4", 1 1/2"	1/2" NPT	6.1" (156 mm)	7.3" (184 mm)	8" (203 mm)	7" (178 mm)
325-9	1 1/2", 2"	1/2" NPT	7.8" (198 mm)	9.4" (239 mm)	10.8" (274 mm)	9.1" (231 mm)
325-11	2", 2 1/2"	3/4" NPT	11.0" (279 mm)	13.1" (333 mm)	16.1" (409 mm)	13.5" (343 mm)

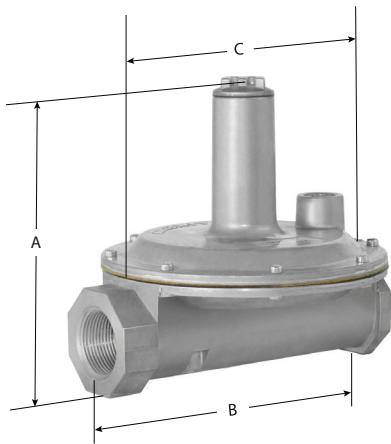
NOTE: Dimensions are maximums and to be used only as an aid in designing clearance for the valve. Actual production dimensions may vary somewhat from those shown.



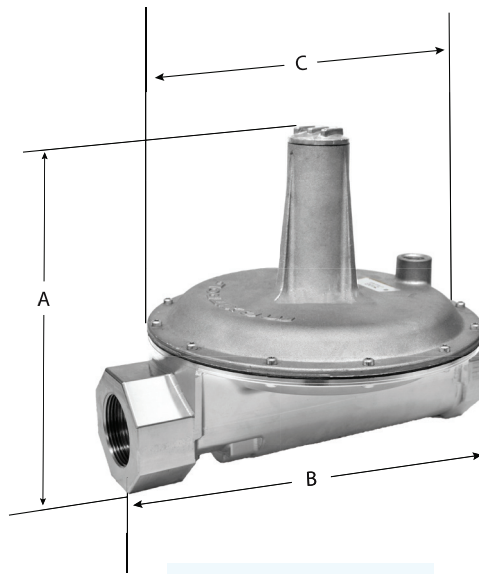
325-3



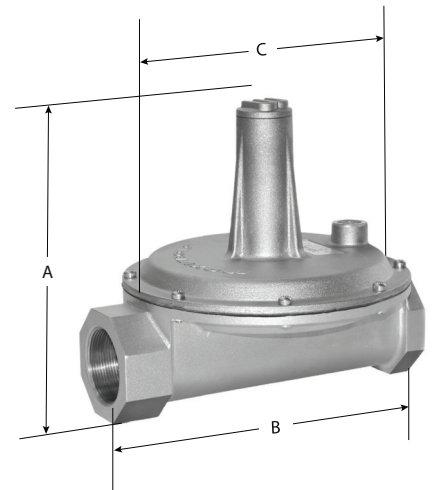
325-5



325-7A

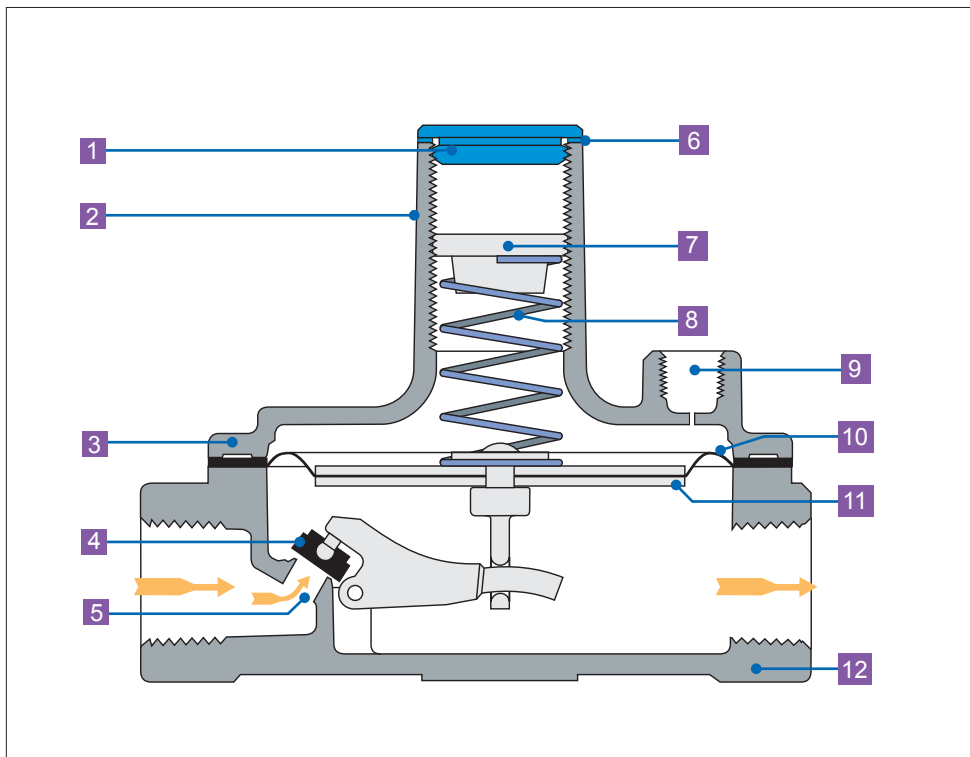


325-11



325-9

Lever Acting Design



- 1 Seal Cap
- 2 Stack
- 3 Top Housing
- 4 Rubber Valve
- 5 Valve Seat
- 6 Seal Cap Gasket
- 7 Adjusting Screw
- 8 Spring
- 9 Vent Connection
- 10 Diaphragm
- 11 Diaphragm Plates
- 12 Bottom Housing

NOTE: Diagrams are graphical representations only and may differ from actual product.

R/RS SERIES

Balanced Valve Design

The R & RS series' double diaphragm balanced valve design makes it possible to maintain steady outlet pressure control with widely varying inlet pressures. The regulator is physically small yet has exceptional capacity characteristics. R & RS series regulators are intended for use with both main burner and pilot load applications. They are ideally suited for use with infrared heaters and pilot lines on large industrial heaters and boilers.



R400

Specifications

Pipe Sizes	3/8" to 1 1/4" threaded connections with NPT or ISO 7-1 threads.
Housing Material	R400(S), R500(S), R600(S), R700: aluminum.
Mounting	Suitable for multi-positional mounting. If a vLimiter [®] or vProtector [®] is installed, mount in an upright horizontal position only. The vLimiter [®] 12A06 is multi-positional.
	NOTE: All Maxitrol gas pressure regulators should be installed and operated in accordance with Maxitrol Safety Warning Instructions (see GPR_MI_EN.ES or GPR_CSA_MI_EN.FR).
Certifications	R400(S), R500(S), R600(S), R700: ANSI Z21.18/CSA 6.3 Gas Appliance Pressure Regulators.
Fuel Gases	Suitable for natural, manufactured, mixed gases, liquefied petroleum gases, and LP gas-air mixtures.
Rated Inlet Pressure	CSA Certified: R400(S), R500(S), R600(S): 1/2 psi (3.4 kPa), R700: 5 psi (34.5 kPa)
Maxitrol Tested:	R400, R500, R600: 1 psi (6.9 kPa); R400S, R500S, R600S: 5 psi (34.5 kPa)
Emergency Exposure Limits	R400, R500, R600: 2 psi (13.8 kPa) R400S, R500S, R600S, R700: 12.5 psi (86.2 kPa)
Ambient Temperature Ranges	R400(S), R500(S), R600(S), R700: -40 to 205°F (-40 to 96°C)
Zero Governor Models	Please refer to pages 32-37 for RZ model information.
Minimum Regulation	R400(S), R500(S), R600(S): Suitable for pilot flow applications. (P) (Circle P) (0.15 CFH NG), None (1.5 CFH NG). R700: 10 CFH
Model Designations	(F) Factory-set; fixed non-adjustable regulator. (M) B.S.P. - PL parallel thread - conforms to ISO 7-1, where pressure tight joints are made on the threads. (S) S denotes models with a nitrile rubber bonded to aluminum valve.

NOTE: These R/RS regulators are not suitable for dead-end lockup service. They are capable of controlling pressure at very low flows such as standing pilots, but should not be used as a line pressure regulator for appliances equipped with electronic ignition unless the automatic control valve can open against line pressure.



Capacities and Pressure Drop

Capacities expressed in CFH (m³/h) @ 0.64 sp gr gas

Model	Pipe Size	Pressure Drop - inches w.c. (kPa)										
		0.2 (0.05)	0.4 (0.10)	0.6 (0.15)	0.8 (0.20)	1.0 (0.25)	1.5 (0.37)	2.0 (0.50)	2.5 (0.62)	3.0 (0.75)	3.5 (0.87)	4.0 (1.0)
R400(S)	3/8" x 3/8"	77 (2.3)	110 (3.1)	134 (3.8)	155 (4.3)	174 (4.9)	212 (5.9)	245 (6.9)	274 (7.7)	---	---	---
	1/2" x 1/2"	86 (2.4)	121 (3.4)	148 (4.1)	172 (4.82)	192 (5.4)	235 (6.6)	271 (7.6)	303 (8.5)	---	---	---
R500(S)	1/2" x 1/2"	163 (4.6)	231 (6.5)	283 (7.9)	327 (9.2)	366 (10.3)	447 (12.5)	516 (14.6)	577 (16.2)	635 (17.9)	685 (19.2)	730 (20.44)
	3/4" x 3/4"	196 (5.5)	277 (7.8)	340 (9.5)	392 (11.0)	438 (12.3)	537 (15.0)	620 (17.4)	693 (19.4)	760 (21.3)	820 (23.0)	876 (24.53)
R600(S)	3/4" x 3/4"	298 (8.3)	421 (11.8)	516 (14.5)	595 (16.7)	666 (18.7)	816 (22.9)	942 (26.4)	1054 (29.5)	1150 (32.2)	1245 (34.86)	1335 (37.38)
	1" x 1"	330 (9.2)	468 (13.1)	572 (16.2)	661 (18.2)	739 (20.7)	906 (25.4)	1046 (29.3)	1169 (32.7)	1280 (35.8)	1380 (38.64)	1480 (41.44)
R700	1" x 1"	360 (10.2)	510 (14.4)	620 (17.6)	720 (20.4)	800 (22.7)	980 (27.8)	1130 (32.0)	1270 (36.0)	1390 (39.4)	1500 (42.5)	1600 (45.3)
	1 1/4" x 1 1/4"	670 (19.0)	800 (22.7)	880 (24.9)	950 (26.9)	1000 (28.3)	1230 (34.8)	1410 (39.9)	1580 (44.7)	1730 (49.0)	1870 (53.0)	2000 (56.6)

NOTE: CSA maximum capacities vary with spring range and pipe size. Please contact Maxitrol directly for CSA maximums. See pages 58-59 for Regulator Sizing Requirements and Examples.

Spring Selection Chart: inches w.c. (kPa)

Model	CSA Certified Springs			Other Springs Available					
R400(S)	3 to 6 (0.75 to 1.5) Plated	---	5 to 12 (1.25 to 3) Blue	1 to 3.5 (0.25 to 0.9) Brown	2 to 5 (0.5 to 1.25) Plated	3 to 8 (0.75 to 2) Pink	4 to 12 (1 to 3) Violet	10 to 22 (2.5 to 5.5) Red	---
R500(S)	3 to 6 (0.75 to 1.5) Plated	4 to 8 (1 to 2) Orange	5 to 12 (1.25 to 3) Blue	1 to 3.5 (0.25 to 0.9) Brown	2 to 5 (0.5 to 1.25) Plated	3 to 8 (0.75 to 2) Pink	4 to 12 (1 to 3) Violet	10 to 22 (2.5 to 5.5) Red	---
R600(S)	3 to 6 (0.75 to 1.5) Plated	4 to 8 (1 to 2) Orange	5 to 12 (1.25 to 3) Blue	1 to 3.5 (0.25 to 0.9) Brown	2 to 5 (0.5 to 1.25) Plated	3 to 8 (0.75 to 2) Pink	4 to 12 (1 to 3) Violet	10 to 22 (2.5 to 5.5) Red	15 to 30 (3.7 to 7.5) Yellow
R700	3 to 6 (0.75 to 1.5) Plated	4 to 8 (1 to 2) Orange	5 to 12 (1.25 to 3) Blue	1 to 3.5 (0.25 to 0.9) Brown	2 to 5 (0.5 to 1.25) Plated	3 to 8 (0.75 to 2) Pink	4 to 12 (1 to 3) Violet	10 to 22 (2.5 to 5.5) Red	---

NOTE: See pages 56-57 for complete Spring Selection Chart.

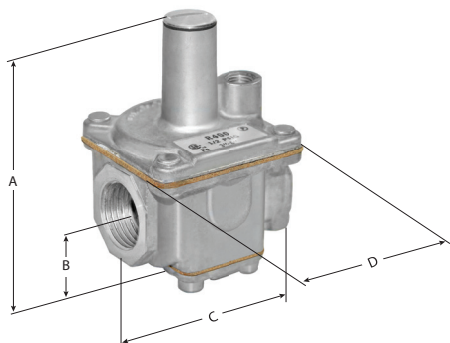
R/RS SERIES

Balanced Valve Design

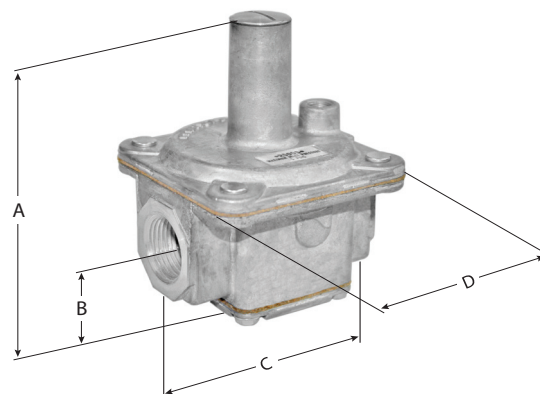
Dimensions

Model	Pipe Size	Vent Connection	Swing Radius	Dimensions			
				A	B	C	D
R400(S)	3/8", 1/2"	1/8" NPT	2.4" (60 mm)	3.3" (83 mm)	0.9" (24 mm)	2" (51 mm)	2" (51 mm)
R500(S)	1/2", 3/4"	1/8" NPT	3.6" (90 mm)	4.7" (119 mm)	1.2" (30 mm)	3" (76 mm)	3.1" (79 mm)
R600(S)	3/4", 1"	1/8" NPT	4.3" (110 mm)	5.7" (145 mm)	1.5" (38 mm)	4" (103 mm)	3.9" (99 mm)
R700	1", 1 1/4"	3/8" NPT	5.0" (128 mm)	6.9" (176 mm)	1.9" (48 mm)	4.4" (113 mm)	5.4" (139 mm)

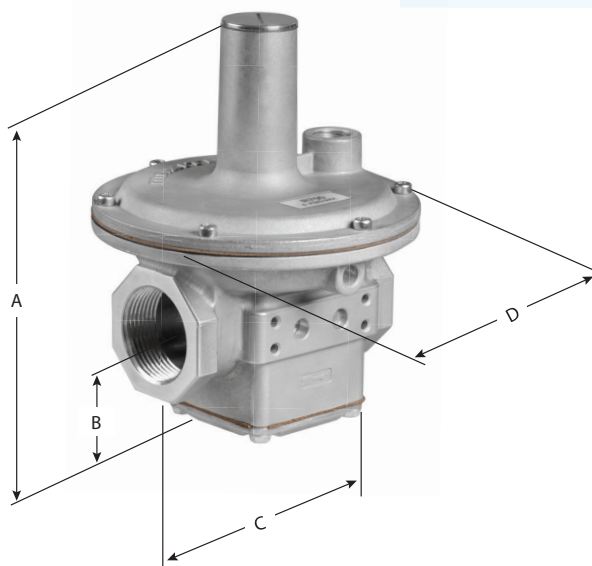
NOTE: Dimensions are maximums and to be used only as an aid in designing clearance for the valve.
Actual production dimensions may vary somewhat from those shown.



R400(S)

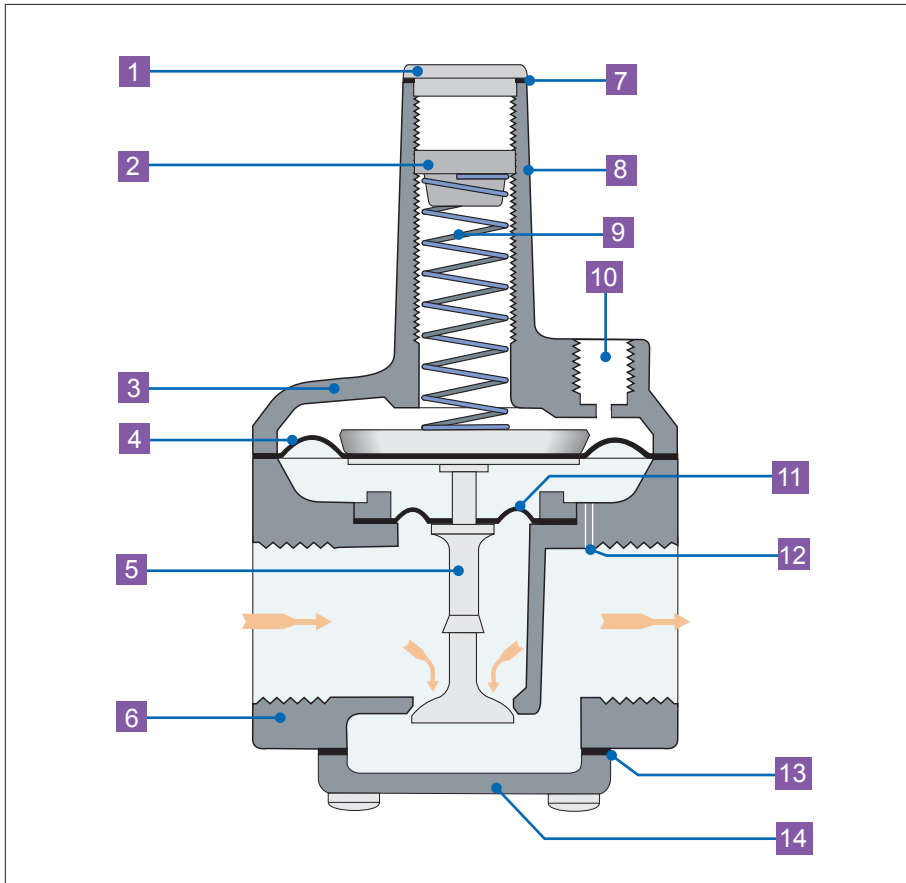


R500(S), R600(S)



R700

R/RS Balanced Valve Design



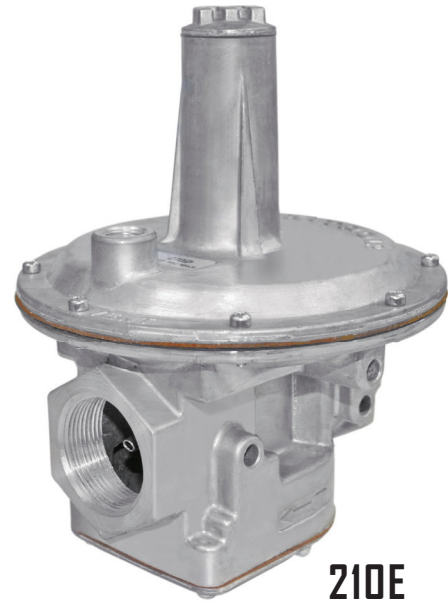
- 1 Welch Plug or Seal Cap
- 2 Vibration Resistant Adjusting Screw
- 3 Top Housing
- 4 Regulating Diaphragm
- 5 Stem & Valve
- 6 Bottom Housing
- 7 Seal Cap Gasket
- 8 Stack
- 9 Spring
- 10 Vent Connection
- 11 Balancing Diaphragm
- 12 Sensing Hole
- 13 Bottom Plate Gasket
- 14 Bottom Plate

NOTE: Diagrams are graphical representations only and may differ from actual product.

210 SERIES

Balanced Valve Design

The 210 series is a lockup type regulator. The balanced valve design makes it possible to maintain steady outlet pressure control with widely varying inlet pressures. The regulator has an integrated dampening mechanism in the breather outlet and the sensing tube to improve regulating stability and reduce hunting tendencies. The 210 series provides precise regulation over a wide range of pressures and flow rates. Applications include gas-fired boilers, steam generators, industrial furnaces, and ovens.



Specifications

Pipe Sizes 1" to 3" threaded connections with NPT or ISO 7-1 threads. 4" 125 lb. flange (210J only).

Housing Material 210D, 210E, 210G, 210J: aluminum.

Mounting Mount in an upright position only.

NOTE: All Maxitrol gas pressure regulators should be installed and operated in accordance with Maxitrol Safety Warning Instructions (see GPR_MI_EN.ES or GPR_CSA_MI_EN.FR).

Certifications 210D, 210E, 210G: ANSI Z21.18/CSA 6.3 Gas Appliance Pressure Regulators.

Fuel Gases Suitable for natural, manufactured, mixed gases, liquefied petroleum gases, and LP gas-air mixtures.

Maximum Inlet Pressure CSA Certified: 210D, 210E, 210G: 10 psi (69 kPa)

Maxitrol Tested 210J: 10 psi (69 kPa)

Emergency Exposure Limits 210D, 210E, 210G, 210J: 25 psi (172 kPa)

Ambient Temperature Ranges -40 to 200°F (-40 to 93°C)

Sensing Taps Convenient tap locations are available for downstream sensing, cross connections, and differential control. Four locations can be tapped and plugged for measuring pressure.

Remote Sensing 210D, 210E, 210G models may be ordered with remote sensing. The internal sensing tube is omitted and external sensing taps are provided. Add suffix letter "R" to model number when ordering.

Zero Governor Models Please refer to pages 32-37 for 210Z model information.

Minimum Regulation 210D: 25 CFH; 210E, 210G: 50 CFH; 210J: 100 CFH.

Model Designations (F) Factory-set; fixed non-adjustable regulator.

(M) B.S.P. - PL parallel thread - conforms to ISO 7-1, where pressure tight joints are made on the threads.



Capacities

Capacities expressed in CFH (m³/h) @ 0.64 sp gr gas

Model	Pipe Size	Inlet Pressure	Outlet Pressure - inches w.c. (kPa)								
			2.0 (0.5)	4.0 (1.0)	6.0 (1.5)	9.0 (2.25)	12 (3.0)	16 (4.0)	20 (5.0)	24 (6.0)	28 (7.0)
210D	1" x 1"	8.0" w.c.	2400 (68.0)	1900 (53.8)	1300 (36.8)	---	---	---	---	---	---
		0.5 psi	3400 (96.3)	3100 (87.8)	2700 (76.5)	2200 (62.3)	---	---	---	---	---
		0.75 psi	3500 (99.1)	4000 (113)	3800 (108)	3400 (96.3)	2900 (82.1)	2200 (62.3)	---	---	---
		1 psi	3500 (99.1)	4000 (113)	4500 (127)	4300 (122)	3900 (110)	3400 (96.3)	2700 (76.5)	1900 (53.8)	---
		1.5 psi	3500 (99.1)	4000 (113)	4500 (127)	4800 (136)	4800 (136)	5000 (142)	4600 (130)	4100 (116)	3600 (102)
		2 psi	3500 (99.1)	4000 (113)	4500 (127)	4800 (136)	4800 (136)	5000 (142)	5000 (142)	5000 (142)	5000 (142)
		3 psi	3500 (99.1)	4000 (113)	4500 (127)	4800 (136)	4800 (136)	5000 (142)	5000 (142)	5000 (142)	5000 (142)
		5 psi	3500 (99.1)	4000 (113)	4500 (127)	4800 (136)	4800 (136)	5000 (142)	5000 (142)	5000 (142)	5000 (142)
		7.5 psi	3500 (99.1)	4000 (113)	4500 (127)	4800 (136)	4800 (136)	5000 (142)	5000 (142)	5000 (142)	5000 (142)
		10 psi	3500 (99.1)	4000 (113)	4500 (127)	4800 (136)	4800 (136)	5000 (142)	5000 (142)	5000 (142)	5000 (142)

NOTE: CSA maximum capacities vary with spring range and pipe size. Please contact Maxitrol directly for CSA maximums. See pages 58-59 for Regulator Sizing Requirements and Examples.

210 SERIES

Balanced Valve Design

Capacities

Capacities expressed in CFH (m³/h) @ 0.64 sp gr gas

Model	Pipe Size	Inlet Pressure	Outlet Pressure - inches w.c. (kPa)								
			2.0 (0.5)	4.0 (1.0)	6.0 (1.5)	9.0 (2.25)	12 (3.0)	16 (4.0)	20 (5.0)	24 (6.0)	28 (7.0)
210D	1 1/4" x 1 1/4"	8.0" w.c.	3000 (84.9)	2400 (68.0)	1700 (48.1)	---	---	---	---	---	---
		0.5 psi	4000 (113)	3905 (111)	3400 (96.3)	2700 (76.5)	---	---	---	---	---
		0.75 psi	4000 (113)	5000 (142)	4700 (133)	4200 (119)	3700 (105)	2700 (76.5)	---	---	---
		1 psi	4000 (113)	5000 (142)	5000 (142)	5300 (150)	4900 (139)	4200 (119)	3400 (96.3)	2400 (68.0)	---
		1.5 psi	4000 (113)	5000 (142)	5000 (142)	6000 (170)	6000 (170)	6000 (170)	5700 (161)	5200 (147)	4600 (130)
		2 psi	4000 (113)	5000 (142)	5000 (142)	6000 (170)	6000 (170)	6000 (170)	6500 (184)	6500 (184)	6500 (184)
		3 psi	4000 (113)	5000 (142)	5000 (142)	6000 (170)	6000 (170)	6000 (170)	6500 (184)	6500 (184)	6500 (184)
		5 psi	4000 (113)	5000 (142)	5000 (142)	6000 (170)	6000 (170)	6000 (170)	6500 (184)	6500 (184)	6500 (184)
		7.5 psi	4000 (113)	5000 (142)	5000 (142)	6000 (170)	6000 (170)	6000 (170)	6500 (184)	6500 (184)	6500 (184)
10 psi	4000 (113)	5000 (142)	5000 (142)	6000 (170)	6000 (170)	6000 (170)	6500 (184)	6500 (184)	6500 (184)		

Capacities expressed in CFH (m³/h) @ 0.64 sp gr gas

Model	Pipe Size	Inlet Pressure	Outlet Pressure - inches w.c. (kPa)								
			2.0 (0.5)	4.0 (1.0)	6.0 (1.5)	9.0 (2.25)	12 (3.0)	16 (4.0)	20 (5.0)	24 (6.0)	28 (7.0)
210D	1 1/2" x 1 1/2"	8.0" w.c.	3100 (87.8)	2500 (70.8)	1800 (51.0)	---	---	---	---	---	---
		0.5 psi	4000 (113)	4000 (113)	3600 (102)	2800 (79.3)	---	---	---	---	---
		0.75 psi	4000 (113)	5000 (142)	5000 (142)	4400 (125)	3800 (108)	2800 (79.3)	---	---	---
		1 psi	4000 (113)	5000 (142)	5000 (142)	5600 (159)	5100 (144)	4400 (125)	3600 (102)	2500 (70.8)	---
		1.5 psi	4000 (113)	5000 (142)	5000 (142)	6000 (170)	6000 (170)	6500 (184)	6000 (170)	5400 (153)	4800 (136)
		2 psi	4000 (113)	5000 (142)	5000 (142)	6000 (170)	6000 (170)	6500 (184)	6500 (184)	6500 (184)	6500 (184)
		3 psi	4000 (113)	5000 (142)	5000 (142)	6000 (170)	6000 (170)	6500 (184)	6500 (184)	6500 (184)	6500 (184)
		5 psi	4000 (113)	5000 (142)	5000 (142)	6000 (170)	6000 (170)	6500 (184)	6500 (184)	6500 (184)	6500 (184)
		7.5 psi	4000 (113)	5000 (142)	5000 (142)	6000 (170)	6000 (170)	6500 (184)	6500 (184)	6500 (184)	6500 (184)
10 psi	4000 (113)	5000 (142)	5000 (142)	6000 (170)	6000 (170)	6500 (184)	6500 (184)	6500 (184)	6500 (184)		

NOTE: CSA maximum capacities vary with spring range and pipe size. Please contact Maxitrol directly for CSA maximums. See pages 58-59 for Regulator Sizing Requirements and Examples.

Capacities

Capacities expressed in CFH (m³/h) @ 0.64 sp gr gas

Model	Pipe Size	Inlet Pressure	Outlet Pressure - inches w.c. (kPa)								
			2.0 (0.5)	4.0 (1.0)	6.0 (1.5)	9.0 (2.25)	12 (3.0)	16 (4.0)	20 (5.0)	24 (6.0)	28 (7.0)
210E	1 1/2" x 1 1/2"	8.0" w.c.	4450 (126)	3650 (103)	2550 (72.2)	---	---	---	---	---	---
		0.5 psi	6300 (178)	5750 (163)	5150 (146)	4050 (115)	---	---	---	---	---
		0.75 psi	7000 (198)	7500 (212)	7050 (200)	6300 (178)	5450 (154)	4050 (115)	---	---	---
		1 psi	7000 (198)	8800 (249)	8500 (241)	7950 (225)	7250 (205)	6300 (178)	5150 (146)	3650 (103)	---
		1.5 psi	7000 (198)	8800 (249)	8800 (249)	10450 (296)	9950 (282)	9250 (262)	8550 (242)	7700 (218)	6800 (193)
		2 psi	7000 (198)	8800 (249)	8800 (249)	10500 (297)	10500 (297)	10500 (297)	10500 (297)	10250 (290)	9600 (272)
		3 psi	7000 (198)	8800 (249)	8800 (249)	10500 (297)	10500 (297)	10500 (297)	10500 (297)	10500 (297)	10500 (297)
		5 psi	7000 (198)	8800 (249)	8800 (249)	10500 (297)	10500 (297)	10500 (297)	10500 (297)	10250 (290)	10500 (297)
		7.5 psi	7000 (198)	8800 (249)	8800 (249)	10500 (297)	10500 (297)	10500 (297)	10500 (297)	10250 (290)	10500 (297)
10 psi	7000 (198)	8800 (249)	8800 (249)	10500 (297)	10500 (297)	10500 (297)	10500 (297)	10250 (290)	10500 (297)		

Capacities expressed in CFH (m³/h) @ 0.64 sp gr gas

Model	Pipe Size	Inlet Pressure	Outlet Pressure - inches w.c. (kPa)								
			2.0 (0.5)	4.0 (1.0)	6.0 (1.5)	9.0 (2.25)	12 (3.0)	16 (4.0)	20 (5.0)	24 (6.0)	28 (7.0)
210E	2" x 2"	8.0" w.c.	5150 (146)	4200 (119)	2950 (83.5)	---	---	---	---	---	---
		0.5 psi	7250 (205)	6650 (188)	5950 (168)	4700 (133)	---	---	---	---	---
		0.75 psi	8000 (226)	8650 (245)	8150 (231)	7250 (205)	6300 (178)	4700 (133)	---	---	---
		1 psi	8000 (226)	10000 (283)	9850 (279)	9150 (259)	8400 (238)	7250 (205)	5950 (168)	4200 (119)	---
		1.5 psi	8000 (226)	10000 (283)	10000 (283)	12000 (340)	11500 (326)	10700 (303)	9850 (279)	8900 (252)	7850 (222)
		2 psi	8000 (226)	10000 (283)	10000 (283)	12000 (340)	12000 (340)	12000 (340)	12000 (340)	11850 (335)	11000 (311)
		3 psi	8000 (226)	10000 (283)	10000 (283)	12000 (340)	12000 (340)	12000 (340)	12000 (340)	12000 (340)	12000 (340)
		5 psi	8000 (226)	10000 (283)	10000 (283)	12000 (340)	12000 (340)	12000 (340)	12000 (340)	12000 (340)	12000 (340)
		7.5 psi	8000 (226)	10000 (283)	10000 (283)	12000 (340)	12000 (340)	12000 (340)	12000 (340)	12000 (340)	12000 (340)
10 psi	8000 (226)	10000 (283)	10000 (283)	12000 (340)	12000 (340)	12000 (340)	12000 (340)	12000 (340)	12000 (340)		

NOTE: CSA maximum capacities vary with spring range and pipe size. Please contact Maxitrol directly for CSA maximums. See pages 58-59 for Regulator Sizing Requirements and Examples.

210 SERIES

Balanced Valve Design

Capacities

Capacities expressed in CFH (m³/h) @ 0.64 sp gr gas

Model	Pipe Size	Inlet Pressure	Outlet Pressure - inches w.c. (kPa)								
			2.0 (0.5)	4.0 (1.0)	6.0 (1.5)	9.0 (2.25)	12 (3.0)	16 (4.0)	20 (5.0)	24 (6.0)	28 (7.0)
210G	2 1/2" x 2 1/2"	8.0" w.c.	10400 (294)	8500 (241)	6000 (170)	---	---	---	---	---	---
		0.5 psi	14700 (416)	13410 (380)	12000 (340)	9500 (269)	---	---	---	---	---
		0.75 psi	16000 (453)	17500 (495)	16400 (464)	14700 (416)	12750 (361)	9500 (269)	---	---	---
		1 psi	16000 (453)	20000 (566)	19900 (563)	18500 (524)	16950 (480)	14700 (416)	12000 (340)	8500 (241)	---
		1.5 psi	16000 (453)	20000 (566)	20000 (566)	24000 (680)	23250 (658)	21600 (612)	19900 (563)	18000 (510)	15850 (449)
		2 psi	16000 (453)	20000 (566)	20000 (566)	24000 (680)	24000 (680)	24000 (680)	24000 (680)	24000 (680)	22450 (636)
		3 psi	16000 (453)	20000 (566)	20000 (566)	24000 (680)	24000 (680)	24000 (680)	24000 (680)	24000 (680)	24000 (680)
		5 psi	16000 (453)	20000 (566)	20000 (566)	24000 (680)	24000 (680)	24000 (680)	24000 (680)	24000 (680)	24000 (680)
		7.5 psi	16000 (453)	20000 (566)	20000 (566)	24000 (680)	24000 (680)	24000 (680)	24000 (680)	24000 (680)	24000 (680)
10 psi	16000 (453)	20000 (566)	20000 (566)	24000 (680)	24000 (680)	24000 (680)	24000 (680)	24000 (680)	24000 (680)		

Capacities expressed in CFH (m³/h) @ 0.64 sp gr gas

Model	Pipe Size	Inlet Pressure	Outlet Pressure - inches w.c. (kPa)								
			2.0 (0.5)	4.0 (1.0)	6.0 (1.5)	9.0 (2.25)	12 (3.0)	16 (4.0)	20 (5.0)	24 (6.0)	28 (7.0)
210G	3" x 3"	8.0" w.c.	11500 (325)	9400 (266)	6600 (187)	---	---	---	---	---	---
		0.5 psi	16000 (453)	14800 (416)	13200 (374)	10450 (296)	---	---	---	---	---
		0.75 psi	16000 (453)	19300 (546)	18100 (516)	16200 (459)	14000 (396)	10450 (296)	---	---	---
		1 psi	16000 (453)	20000 (566)	20000 (566)	20350 (576)	18700 (529)	16200 (459)	13200 (374)	9350 (265)	---
		1.5 psi	16000 (453)	20000 (566)	20000 (566)	24000 (680)	24000 (680)	23800 (674)	21900 (620)	19800 (561)	17450 (494)
		2 psi	16000 (453)	20000 (566)	20000 (566)	24000 (680)	24000 (680)	27000 (765)	27000 (765)	26400 (748)	24700 (699)
		3 psi	16000 (453)	20000 (566)	20000 (566)	24000 (680)	24000 (680)	27000 (765)	27000 (765)	27000 (765)	27000 (765)
		5 psi	16000 (453)	20000 (566)	20000 (566)	24000 (680)	24000 (680)	27000 (765)	27000 (765)	27000 (765)	27000 (765)
		7.5 psi	16000 (453)	20000 (566)	20000 (566)	24000 (680)	24000 (680)	27000 (765)	27000 (765)	27000 (765)	27000 (765)
		10 psi	16000 (453)	20000 (566)	20000 (566)	24000 (680)	24000 (680)	27000 (765)	27000 (765)	27000 (765)	27000 (765)

NOTE: CSA maximum capacities vary with spring range and pipe size. Please contact Maxitrol directly for CSA maximums. See pages 58-59 for Regulator Sizing Requirements and Examples.

Capacities

Capacities expressed in CFH (m³/h) @ 0.64 sp gr gas

Model	Pipe Size	Inlet Pressure	Outlet Pressure - inches w.c. (kPa)								
			2.0 (0.5)	4.0 (1.0)	6.0 (1.5)	9.0 (2.25)	12 (3.0)	16 (4.0)	20 (5.0)	24 (6.0)	28 (7.0)
210J	4" x 4"	8.0" w.c.	20800 (589)	17000 (481)	12000 (339)	---	---	---	---	---	---
		0.5 psi	29500 (835)	27000 (764)	24000 (680)	19000 (538)	---	---	---	---	---
		0.75 psi	32000 (906)	35000 (991)	33000 (934)	29420 (833)	25500 (722)	19000 (538)	---	---	---
		1 psi	32000 (906)	40000 (1132)	40000 (1132)	37000 (1048)	34000 (963)	29420 (833)	24000 (680)	17000 (481)	---
		1.5 psi	32000 (906)	40000 (1132)	40000 (1132)	48000 (1359)	47000 (1331)	43350 (1227)	39700 (1124)	36000 (1019)	31800 (900)
		2 psi	32000 (906)	40000 (1132)	40000 (1132)	48000 (1359)	48000 (1359)	50000 (1416)	50000 (1416)	48000 (1359)	45000 (1274)
		3 psi	32000 (906)	40000 (1132)	40000 (1132)	48000 (1359)	48000 (1359)	50000 (1416)	50000 (1416)	50000 (1416)	50000 (1416)
		5 psi	32000 (906)	40000 (1132)	40000 (1132)	48000 (1359)	48000 (1359)	50000 (1416)	50000 (1416)	50000 (1416)	50000 (1416)
		7.5 psi	32000 (906)	40000 (1132)	40000 (1132)	48000 (1359)	48000 (1359)	50000 (1416)	50000 (1416)	50000 (1416)	50000 (1416)
		10 psi	32000 (906)	40000 (1132)	40000 (1132)	48000 (1359)	48000 (1359)	50000 (1416)	50000 (1416)	50000 (1416)	50000 (1416)

NOTE: CSA maximum capacities vary with spring range and pipe size. Please contact Maxitrol directly for CSA maximums. See pages 58-59 for Regulator Sizing Requirements and Examples.

210 SERIES

Balanced Valve Design

Pressure Drop: inches w.c. (kPa)

Flow Rate CFH (m³/h)	210D			210E		210G		210J
	1"	1 1/4"	1 1/2"	1 1/2"	2"	2 1/2"	3"	4"
500 (14.2)	0.23 (0.06)	0.15 (0.04)	0.14 (0.03)	---	---	---	---	---
1000 (28.3)	0.92 (0.23)	0.59 (0.15)	0.54 (0.13)	0.27 (0.07)	0.20 (0.05)	0.05 (0.01)	0.04 (0.009)	0.01 (0.002)
1500 (42.5)	2.08 (0.52)	1.33 (0.33)	1.22 (0.30)	---	---	---	---	---
2000 (56.6)	3.07 (0.76)	2.37 (0.59)	2.16 (0.54)	1.09 (0.27)	0.82 (0.20)	0.20 (0.05)	0.17 (0.04)	0.05 (0.01)
2500 (70.8)	5.78 (1.44)	3.70 (0.92)	3.38 (0.84)	---	---	---	---	---
3000 (85.0)	8.32 (2.07)	5.33 (1.33)	4.87 (1.21)	2.46 (0.61)	1.84 (0.46)	0.45 (0.11)	0.37 (0.09)	0.12 (0.03)
3500 (99.1)	11.33 (2.82)	7.25 (1.81)	6.62 (1.65)	---	---	---	---	---
4000 (113)	14.79 (3.68)	9.47 (2.36)	8.65 (2.15)	4.37 (1.09)	3.28 (0.82)	0.80 (0.20)	0.66 (0.16)	0.21 (0.05)
4500 (127)	18.72 (4.66)	11.98 (2.98)	10.95 (2.73)	---	---	---	---	---
5000 (142)	23.11 (5.76)	14.79 (3.68)	13.52 (3.37)	6.82 (1.70)	5.12 (1.28)	1.25 (0.31)	1.03 (0.26)	0.34 (0.08)
5500 (156)	27.97 (6.97)	17.90 (4.46)	16.35 (4.07)	---	---	---	---	---
6000 (170)	33.28 (8.29)	21.30 (5.30)	19.46 (4.85)	9.82 (2.45)	7.37 (1.84)	1.80 (0.45)	1.48 (0.37)	0.49 (0.12)
6500 (184)	---	25.00 (6.23)	22.84 (5.69)	---	---	---	---	---
7000 (198)	---	28.99 (7.22)	26.49 (6.60)	13.36 (3.33)	10.05 (2.50)	2.45 (0.61)	2.02 (0.50)	0.66 (0.16)
7500 (212)	---	---	30.41 (7.57)	---	---	---	---	---
8000 (226)	---	---	---	17.45 (4.35)	13.10 (3.26)	3.20 (0.80)	2.64 (0.66)	0.87 (0.22)
8500 (241)	---	---	---	---	---	---	---	---
9000 (255)	---	---	---	22.10 (5.50)	16.60 (4.13)	4.05 (1.01)	3.35 (0.83)	1.10 (0.27)
9500 (269)	---	---	---	---	---	---	---	---
10000 (283)	---	---	---	27.30 (6.80)	20.50 (5.11)	5.00 (1.24)	4.15 (1.03)	1.35 (0.34)
11000 (311)	---	---	---	33.00 (8.22)	24.80 (6.18)	6.05 (1.51)	5.00 (1.24)	---
12000 (340)	---	---	---	39.30 (9.79)	29.50 (7.35)	7.20 (1.79)	5.95 (1.48)	1.95 (0.48)
13000 (368)	---	---	---	---	34.60 (8.62)	8.50 (2.12)	7.00 (1.74)	---
14000 (369)	---	---	---	---	40.15 (10.00)	9.85 (2.45)	8.10 (2.01)	2.68 (0.67)
15000 (425)	---	---	---	---	---	11.30 (2.81)	9.30 (2.32)	---
16000 (453)	---	---	---	---	---	12.85 (3.20)	10.60 (2.64)	3.47 (0.86)
17000 (481)	---	---	---	---	---	14.50 (3.61)	11.95 (2.98)	---
18000 (510)	---	---	---	---	---	16.25 (4.05)	13.40 (3.34)	4.40 (1.09)
19000 (538)	---	---	---	---	---	18.10 (4.51)	14.90 (3.71)	---
20000 (566)	---	---	---	---	---	20.05 (4.99)	16.50 (4.11)	5.42 (1.35)
22000 (623)	---	---	---	---	---	24.25 (6.40)	20.00 (4.98)	6.56 (1.63)
24000 (680)	---	---	---	---	---	28.85 (7.19)	23.80 (5.93)	7.81 (1.94)
26000 (736)	---	---	---	---	---	33.85 (8.43)	27.90 (6.95)	9.06 (2.26)
28000 (793)	---	---	---	---	---	39.25 (9.78)	32.40 (8.07)	10.62 (2.64)
30000 (849)	---	---	---	---	---	---	37.20 (9.27)	12.41 (3.09)
32000 (906)	---	---	---	---	---	---	---	13.90 (3.46)
34000 (963)	---	---	---	---	---	---	---	15.69 (3.91)
36000 (1019)	---	---	---	---	---	---	---	17.60 (4.38)
38000 (1076)	---	---	---	---	---	---	---	19.60 (4.88)
40000 (1133)	---	---	---	---	---	---	---	21.70 (5.40)
45000 (1274)	---	---	---	---	---	---	---	27.40 (6.82)
50000 (1416)	---	---	---	---	---	---	---	33.80 (8.42)
55000 (1557)	---	---	---	---	---	---	---	41.00 (10.21)

NOTE: The maximum capacities for the different models listed on the capacity charts and represented by the heavy line on the pressure drop are values at which these controls have been certified by CSA (except for the 210J). See pages 58-59 for Regulator Sizing Requirements and Examples.

Spring Selection Chart: inches w.c. (kPa)

Model	CSA Certified Springs										Other Springs
	1 to 3.5 (0.25 to 0.9) Brown	2 to 5 (0.5 to 1.25) Plated	3 to 6 (0.75 to 1.5) Plated	3 to 8 (0.75 to 2) Pink	4 to 8 (1 to 2) Orange	4 to 12 (1 to 3) Violet	5 to 12 (1.25 to 3) Blue	5 to 15 (1.25 to 3.7) Green	10 to 22 (2.5 to 5.5) Red	15 to 30 (3.7 to 7.5) Yellow	
210D	1 to 3.5 (0.25 to 0.9) Brown	2 to 5 (0.5 to 1.25) Plated	3 to 6 (0.75 to 1.5) Plated	3 to 8 (0.75 to 2) Pink	4 to 8 (1 to 2) Orange	4 to 12 (1 to 3) Violet	5 to 12 (1.25 to 3) Blue	5 to 15 (1.25 to 3.7) Green	10 to 22 (2.5 to 5.5) Red	15 to 30 (3.7 to 7.5) Yellow	20 to 42 (5 to 10.5) Black
210E	1 to 3.5 (0.25 to 0.9) Brown	2 to 5 (0.5 to 1.25) Plated	3 to 6 (0.75 to 1.5) Plated	3 to 8 (0.75 to 2) Pink	4 to 8 (1 to 2) Orange	4 to 12 (1 to 3) Violet	5 to 12 (1.25 to 3) Blue	5 to 15 (1.25 to 3.7) Green	10 to 22 (2.5 to 5.5) Red	15 to 30 (3.7 to 7.5) Yellow	20 to 42 (5 to 10.5) Black
210G	1 to 3.5 (0.25 to 0.9) Brown	2 to 5 (0.5 to 1.25) Plated	3 to 6 (0.75 to 1.5) Plated	3 to 8 (0.75 to 2) Pink	4 to 8 (1 to 2) Orange	4 to 12 (1 to 3) Violet	5 to 12 (1.25 to 3) Blue	5 to 15 (1.25 to 3.7) Green	10 to 22 (2.5 to 5.5) Red	15 to 30 (3.7 to 7.5) Yellow	20 to 42 (5 to 10.5) Black
210J	---	2 to 5 (0.5 to 1.25) Plated	3 to 6 (0.75 to 1.5) Plated	3 to 8 (0.75 to 2) Pink	---	4 to 12 (1 to 3) Violet	5 to 12 (1.25 to 3) Blue	---	10 to 22 (2.5 to 5.5) Red	15 to 30 (3.7 to 7.5) Yellow	20 to 42 (5 to 10.5) Black

NOTE: The area within the heavy line indicates CSA certified springs. See pages 56-57 for complete Spring Selection Chart.

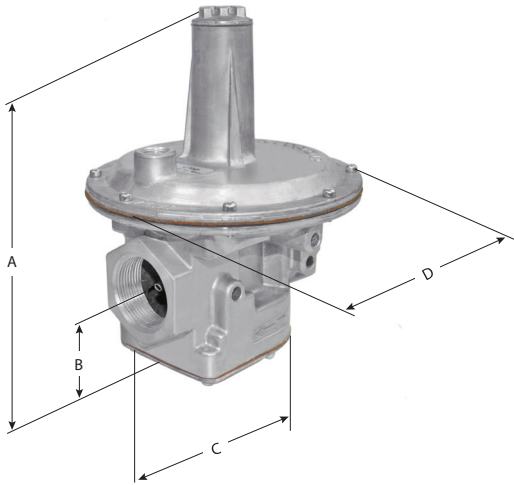
210 SERIES

Balanced Valve Design

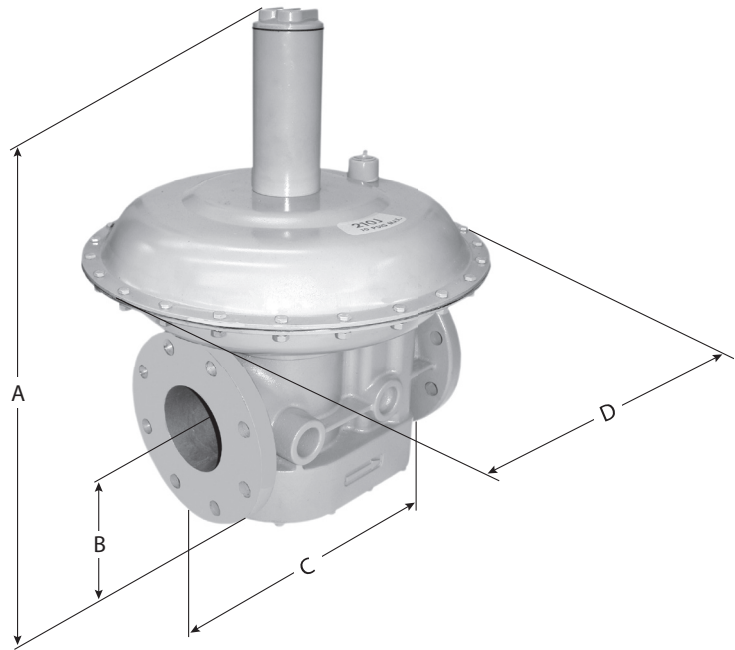
Dimensions

Model	Pipe Size	Vent Connection	Swing Radius	Dimensions			
				A	B	C	D
210D	1", 1 1/4", 1 1/2"	3/8" NPT	5.4" (138 mm)	9" (228 mm)	2.4" (60 mm)	6" (152 mm)	7" (178 mm)
210E	1 1/2", 2"	1/2" NPT	8.3" (211 mm)	11.3" (286 mm)	2.9" (75 mm)	8" (203 mm)	9.1" (232 mm)
210G	2 1/2", 3"	3/4" NPT	11.9" (302 mm)	16.5" (419 mm)	4.6" (116 mm)	11.8" (300 mm)	13.5" (343 mm)
210J	4"	3/4" NPT	18.4" (467 mm)	24.3" (616 mm)	5.4" (138 mm)	13.8" (349 mm)	18" (457 mm)

NOTE: Dimensions are maximums and to be used only as an aid in designing clearance for the valve. Actual production dimensions may vary somewhat from those shown.

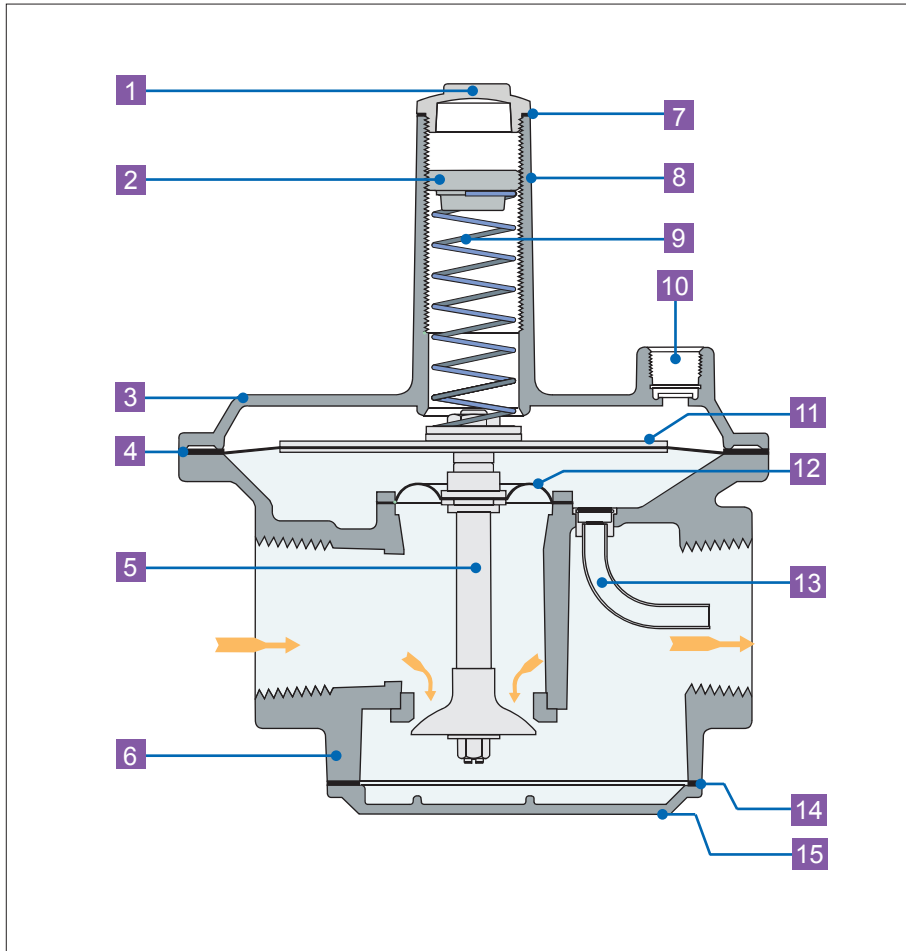


210D, 210E, 210G



210J

210 Balanced Valve Design



- 1 Welch Plug or Seal Cap
- 2 Vibration Resistant Adjusting Screw
- 3 Top Housing
- 4 Regulating Diaphragm
- 5 Stem & Valve
- 6 Bottom Housing
- 7 Seal Cap Gasket
- 8 Stack
- 9 Spring
- 10 Vent Connection
- 11 Diaphragm Plates
- 12 Balancing Diaphragm
- 13 Sensing Tube
- 14 Bottom Plate Gasket
- 15 Bottom Plate

NOTE: Diagrams are graphical representations only and may differ from actual product.

RZ and 210Z

Zero Governor Design

Both the RZ and 210Z series are adaptable for air-gas mixing applications. Because of the balanced valve construction, Z models offer superior performance at an economical price compared with other types of atmospheric regulators.

Maxitrol's RZ and 210Z zero governor model regulators are used for flow control of burners, nozzle mixers, mixing tees and proportional premixers.



Specifications

Pipe Sizes	RZ Models: 3/8" to 1 1/4" threaded connections with NPT or ISO 7-1 threads. 210Z Models: 1" to 3" threaded connections with NPT or ISO 7-1 threads. 4" 125 lb. flange (210JZ only).
Housing Material	R400Z, R500Z, R600Z, R700Z, 210DZ, 210EZ, 210GZ, 210JZ: aluminum.
Mounting	R400Z, R700Z, 210DZ, 210EZ, 210GZ, 210JZ mount in an upright position only. R500Z, R600Z, suitable for multi-positional mounting. If a v Limit [®] or v Protect [®] is installed, mount in an upright horizontal position only.
	NOTE: All Maxitrol gas pressure regulators should be installed and operated in accordance with Maxitrol Safety Warning Instructions (see GPR_MI_EN.ES or GPR_CSA_MI_EN.FR).
Certifications	R400Z, R500Z, R600Z, R700Z, 210DZ, 210EZ, 210GZ: ANSI Z21.18/CSA 6.3 Gas Appliance Pressure Regulators.
Fuel Gases	Suitable for natural, manufactured, mixed gases, liquefied petroleum gases, and LP gas-air mixtures.
Rated Inlet Pressure	CSA Certified: R400Z, R500Z, R600Z: 1/2 psi (3.4 kPa); R700Z, 210DZ, 210EZ, 210GZ: 5 psi (34.5 kPa)
Maxitrol Tested	R400Z, R500Z, R600Z: 1 psi (6.9 kPa); 210JZ: 5 psi (34.5 kPa)
Emergency Exposure Limits	R400Z, R500Z, R600Z, R700Z: 12.5 psi (86 kPa) 210DZ, 210EZ, 210GZ, 210JZ: 25 psi (172 kPa)
Ambient Temperature Ranges	R400Z, R600Z, R700Z: -40 to 205°F (-40 to 96°C) R500Z: 32 to 205°F (0 to 96°C) 210DZ, 210EZ, 210GZ, 210JZ: -40 to 200°F (-40 to 93°C)
Sensing Taps	R700Z, 210Z Models have convenient tap locations available for downstream sensing, cross connections, and differential control. Four locations can be tapped and plugged for measuring pressure.
Remote Sensing	R700Z, 210DZ, 210EZ, 210GZ models may be ordered with remote sensing. The internal sensing tube is omitted and external sensing taps are provided. Add suffix letter "R" to model number when ordering.
Minimum Regulation	R400Z: Suitable for pilot flow applications. (P) (Circle P) (0.15 CFH NG), R500Z, R600Z, R700Z: 10 CFH.
Low-Fire By-Pass	With the main valve closed, an adjustable by-pass provides a minimum firing rate. Add suffix "L" (left side), "R" (right side), or "B" (both sides) when ordering.
Model Designations	(F) Factory-set; fixed non-adjustable regulator. Welch plug replaces seal cap. (M) B.S.P. - PL parallel thread - conforms to ISO 7-1, where pressure tight joints are made on the threads.

Capacities and Pressure Drop



Capacities expressed in CFH (m³/h) @ 0.64 sp gr gas

Model	Pipe Size	Pressure Drop - inches w.c. (kPa)											By-Pass (L & R Suffix Only)
		0.2 (0.05)	0.4 (0.10)	0.6 (0.15)	0.8 (0.20)	1.0 (0.25)	1.5 (0.37)	2.0 (0.50)	2.5 (0.62)	3.0 (0.75)	3.5 (0.87)	4.0 (1.0)	
R400Z	3/8" x 3/8"	77 (2.16)	110 (3.08)	134 (3.75)	155 (4.34)	174 (4.87)	212 (5.94)	245 (6.86)	274 (7.67)	--	--	--	5-90 (0.14-2.5)
	1/2" x 1/2"	86 (2.41)	121 (3.39)	148 (4.14)	172 (4.82)	192 (5.38)	235 (6.58)	271 (7.59)	303 (8.48)	--	--	--	
R500Z	1/2" x 1/2"	163 (4.56)	231 (6.47)	283 (7.92)	327 (9.16)	366 (10.3)	447 (12.5)	516 (14.6)	577 (16.2)	635 (17.8)	685 (19.2)	730 (20.4)	10-125 (0.28-3.5)
	3/4" x 3/4"	196 (5.49)	277 (7.76)	340 (9.52)	392 (11.0)	438 (12.3)	537 (15.0)	620 (17.4)	693 (19.4)	760 (21.3)	820 (22.7)	876 (24.5)	
R600Z	3/4" x 3/4"	298 (8.34)	421 (11.8)	516 (14.5)	595 (16.7)	666 (18.7)	816 (22.9)	942 (26.4)	1054 (29.5)	1150 (32.2)	1245 (34.9)	1335 (37.4)	10-330 (0.28-9.3)
	1" x 1"	330 (9.24)	468 (13.1)	572 (16.0)	661 (18.2)	739 (20.7)	906 (25.4)	1046 (29.3)	1169 (32.7)	1280 (35.8)	1380 (38.6)	1480 (41.4)	
R700Z	1" x 1"	360 (10.2)	510 (14.4)	620 (17.6)	720 (20.4)	800 (22.7)	980 (27.8)	1130 (32.0)	1270 (36.0)	1390 (39.4)	1500 (42.5)	1600 (45.3)	10-330 (0.28-9.3)
	1 1/4" x 1 1/4"	670 (19.0)	800 (22.7)	880 (24.9)	950 (26.9)	1000 (28.3)	1230 (34.8)	1410 (39.9)	1580 (44.7)	1730 (49.0)	1870 (53.0)	2000 (56.6)	

NOTE: CSA maximum capacities vary with spring range and pipe size. Please contact Maxitrol directly for CSA maximums.
See pages 58-59 for Regulator Sizing Requirements and Examples.

NOTE: Consult Maxitrol for UL certifications.

Model	Pressure Drop - inches w.c. (kPa) unless noted
	By-Pass (L & R Suffix Only)
R400Z	5 - 90 (0.14 - 2.5)
R500Z	10 - 125 (0.28 - 3.5)
R600Z	10 - 330 (0.28 - 9.3)
R700Z	10-330 (0.28-9.3)

By-pass flow maximum calculated at a pressure drop. (Delta P) = 3.5" w.c. (single by-pass)

RZ and 210Z

Zero Governor Design

Capacities and Pressure Drop

Capacities expressed in CFH (m³/h) @ 0.64 sp gr gas

Model	Pipe Size	Pressure Drop - inches w.c. (kPa) unless noted										
		0.1 (0.025)	0.3 (0.075)	0.5 (0.125)	1.0 (0.25)	3.0 (0.75)	5.0 (1.25)	7.0 (1.74)	0.5 psi (3.45)	0.75 psi (5.17)	1 psi (6.89)	1.5 psi (10.34)
210DZ	1" x 1"	--	--	--	900 (25.2)	1600 (44.8)	2000 (56.0)	2400 (67.2)	3300 (92.4)	4100 (115)	4750 (133)	5800 (162)
	1 1/4" x 1 1/4"	--	--	--	1100 (30.8)	1900 (53.2)	2500 (70.0)	2900 (81.2)	4100 (115)	5000 (140)	5850 (164)	7150 (200)
	1 1/2" x 1 1/2"	--	--	--	1200 (33.6)	2100 (58.8)	2700 (75.6)	3200 (89.6)	4500 (126)	5500 (154)	6350 (176)	7750 (217)
210EZ	1 1/2" x 1 1/2"	--	1050 (29.4)	1350 (37.8)	1915 (53.6)	3315 (92.8)	4280 (120)	5065 (142)	7125 (199)	8725 (244)	10075 (282)	12340 (345)
	2" x 2"	--	1210 (33.9)	1560 (43.7)	2210 (61.9)	3825 (107)	4940 (139)	5845 (164)	8225 (230)	10070 (282)	11630 (326)	14245 (399)
210GZ	2 1/2" x 2 1/2"	1410 (39.5)	2450 (68.6)	3160 (88.5)	4470 (125)	7740 (217)	9995 (280)	11825 (331)	16635 (466)	20370 (570)	23525 (659)	28810 (807)
	3" x 3"	1555 (43.5)	2695 (75.5)	3475 (97.3)	4920 (138)	8520 (239)	11000 (308)	13020 (365)	18310 (513)	22425 (628)	25890 (725)	31710 (888)
210JZ	4" x 4"	2700 (75.6)	4700 (132)	6000 (168)	8600 (241)	15000 (420)	19000 (532)	23000 (644)	32000 (896)	40000 (1120)	45500 (1274)	55700 (1560)

NOTE: CSA maximum capacities vary with spring range and pipe size. Please contact Maxitrol directly for CSA maximums. See pages 58-59 for Regulator Sizing Requirements and Examples.

Model	Pressure Drop - inches w.c. (kPa) unless noted
	By-Pass (L Suffix Only)
210DZ	10 - 90 (0.28 - 2.5)
210EZ	10 - 90 (0.28 - 2.5)

By-pass flow maximum calculated at a pressure drop. (Delta P) = 3.5" w.c.

Spring Selection: inches w.c (kPa)

Model	Outlet Pressure Range
R400Z	-1.5 to 1.0 (-0.37 to 0.25)
R500Z	-1.0 to 2.5 (-0.25 to 0.62)
R600Z	-1.0 to 1.5 (-0.25 to 0.37)
R700Z	-1.0 to 1.5 (-0.25 to 0.37)

Model	Outlet Pressure Range
210DZ	-1.0 to 1.5 (-0.25 to 0.37)
210EZ	-1.0 to 1.5 (-0.25 to 0.37)
210GZ	-1.0 to 1.5 (-0.25 to 0.37)
210JZ	-1.0 to 1.5 (-0.25 to 0.37)

NOTE: See pages 56-57 for complete Spring Selection Chart.

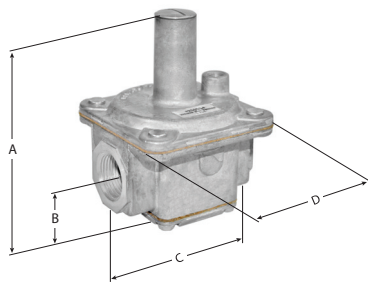
RZ and 210Z

Zero Governor Design

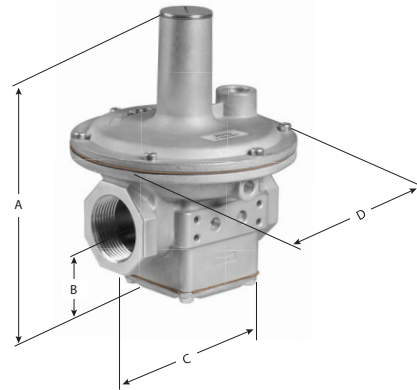
Dimensions

Model	Pipe Size	Vent Connection	Swing Radius	Dimensions			
				A	B	C	D
R400Z	3/8", 1/2"	1/8" NPT	2.4" (60 mm)	3.3" (83 mm)	0.9" (24 mm)	2" (51 mm)	2" (51 mm)
R500Z	1/2", 3/4"	1/8" NPT	3.6" (90 mm)	4.7" (119 mm)	1.2" (30 mm)	3" (79 mm)	3.1" (79 mm)
R600Z	3/4", 1"	1/8" NPT	4.3" (109 mm)	5.7" (144 mm)	1.5" (37 mm)	4" (102 mm)	3.9" (98 mm)
R700Z	1" , 1 1/4"	3/8" NPT	5.0" (128 mm)	6.9" (176 mm)	1.9" (48 mm)	4.4" (113 mm)	5.4" (139 mm)
210DZ	1", 1 1/4", 1 1/2"	3/8" NPT	5.4" (138 mm)	9" (229 mm)	2.4" (60 mm)	6" (152 mm)	7" (178 mm)
210EZ	1 1/2", 2"	1/2" NPT	8.3" (211 mm)	11.3" (286 mm)	2.9" (75 mm)	8" (203 mm)	9.1" (232 mm)
210GZ	2 1/2", 3"	3/4" NPT	11.9" (302 mm)	16.5" (419 mm)	4.6" (116 mm)	11.8" (300 mm)	13.5" (343 mm)
210JZ	4"	3/4" NPT	18.4" (467 mm)	24.3" (616 mm)	5.4" (138 mm)	13.8" (349 mm)	18" (457 mm)

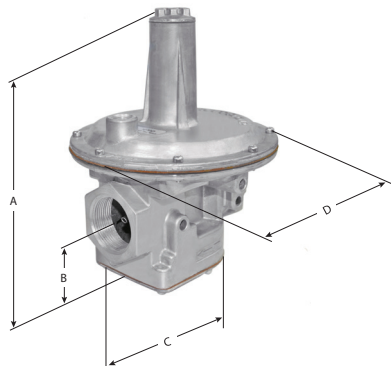
NOTE: Dimensions are maximums and to be used only as an aid in designing clearance for the valve.
Actual production dimensions may vary somewhat from those shown.



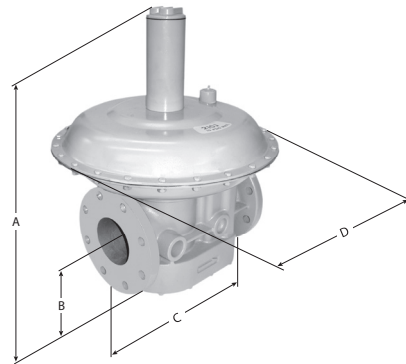
R400Z, R500Z, R600Z



R700Z



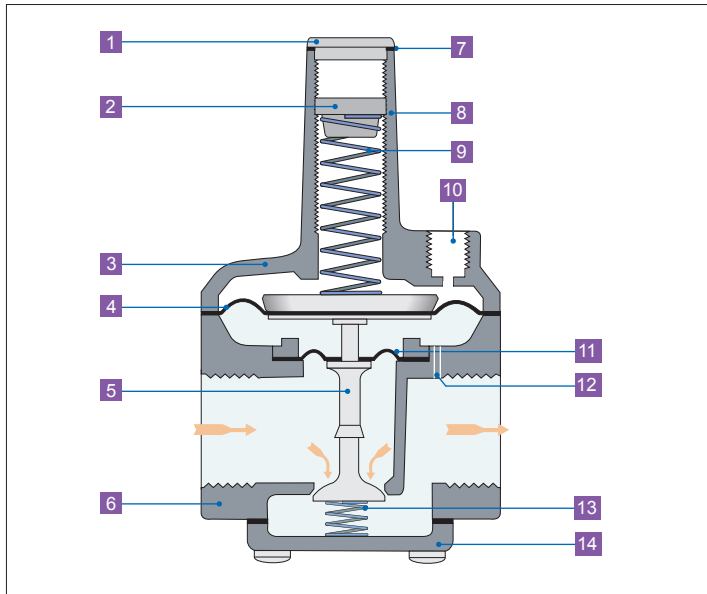
210DZ, 210EZ, 210GZ



210JZ

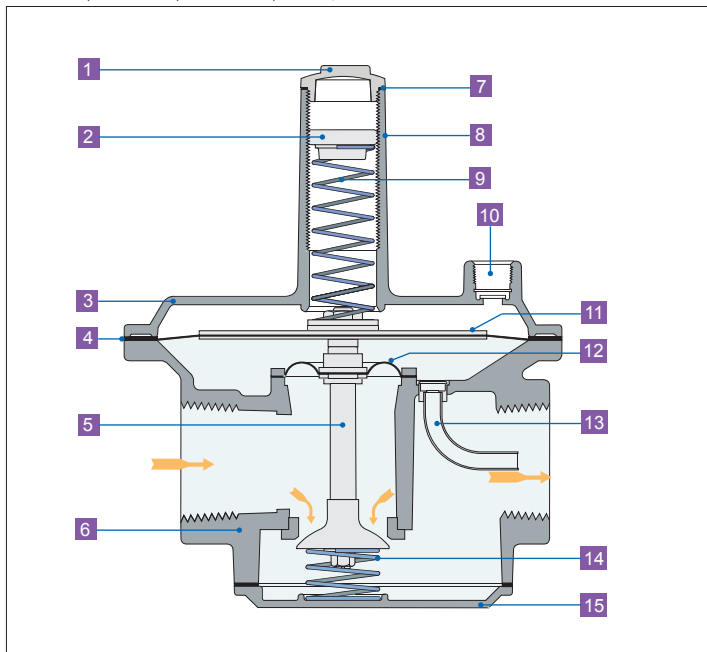
Zero Governor Design

R400Z, R500Z, R600Z, R700Z



- 1 Welch Plug or Seal Cap
- 2 Adjusting Screw
- 3 Top Housing
- 4 Regulating Diaphragm
- 5 Stem & Valve
- 6 Bottom Housing
- 7 Seal Cap Gasket
- 8 Stack
- 9 Spring
- 10 Vent Connection
- 11 Balancing Diaphragm
- 12 Sensing Hole
- 13 Counter Spring
- 14 Bottom Plate

210DZ, 210EZ, 210GZ, 210JZ



- 1 Welch Plug or Seal Cap
- 2 Adjusting Screw
- 3 Top Housing
- 4 Regulating Diaphragm
- 5 Stem & Valve
- 6 Bottom Housing
- 7 Seal Cap Gasket
- 8 Stack
- 9 Spring
- 10 Vent Connection
- 11 Diaphragm Plates
- 12 Balancing Diaphragm
- 13 Sensing Tube
- 14 Counter Spring
- 15 Bottom Plate

NOTE: Diagrams are graphical representations only and may differ from actual product.

220 SERIES

Pilot Loaded Design

The 220 series uses a servo-operated design rather than a spring-loaded design and can deliver higher outlet pressures than conventional spring-loaded models.

The main diaphragm of the model 220 is loaded with gas pressure instead of spring pressure. A small pilot regulator, located in the upper housing, accurately controls this gas pressure. When the regulated outlet pressure of the servo regulator is changed by spring adjustment, the outlet pressure of the 220 main regulator will be changed proportionately. Applications include industrial furnaces and ovens.



220D

Specifications

Pipe Sizes 1" to 3" threaded connections with NPT or ISO 7-1 threads. 4" 125 lb. flange (220J only).

Housing Material 220D, 220E, 220G, 220J: aluminum.

Mounting Mount in an upright position only.

NOTE: All Maxitrol gas pressure regulators should be installed and operated in accordance with Maxitrol Safety Warning Instructions (see GPR_MI_EN.ES).

Fuel Gases Suitable for natural, manufactured, mixed gases, liquefied petroleum gases, and LP gas-air mixtures.

Maximum Inlet Pressure 10 psi (68.9 kPa)

Flow Rates up to 50,000 CFH (1416 m³/h)

Emergency Exposure Limits 25 psi (170 kPa)

Ambient Temperature Ranges -40 to 200°F (-40 to 93°C)

Sensing Taps Three positions can be tapped and plugged for measuring pressure. The fourth position is used to supply inlet pressure to the pilot regulator.

Remote Sensing 220D, 220E, 220G models may be ordered with remote sensing. The internal sensing tube is omitted and external sensing taps are provided. Add suffix letter "R" to model number when ordering.

NOTE: 220D, 220E, 220G, 220J are not CSA certified.

NOTE: "L" models available for outlet pressures under 1 psi (6.9 kPa).

Pressure Drop: inches w.c. (kPa) @ 0.64 sp gr gas

Flow Rate CFH (m ³ /h)	220D			220E		220G		220J
	1"	1 1/4"	1 1/2"	1 1/2"	2"	2 1/2"	3"	4"
1000 (28.3)	1.90 (0.47)	1.70 (0.42)	1.70 (0.42)	---	---	---	---	---
2000 (56.6)	4.93 (1.23)	3.10 (0.77)	2.90 (0.72)	1.90 (0.47)	1.90 (0.47)	---	---	---
3000 (85.0)	11.10 (2.76)	7.42 (1.85)	5.40 (1.34)	2.90 (0.72)	2.40 (0.60)	---	---	---
4000 (113)	19.70 (4.91)	13.20 (3.29)	11.10 (2.76)	4.93 (1.23)	4.00 (1.00)	2.00 (0.50)	1.90 (0.47)	1.70 (0.42)
5000 (142)	30.80 (7.67)	20.70 (5.16)	17.40 (4.33)	7.70 (1.92)	6.25 (1.56)	2.20 (0.55)	2.10 (0.52)	1.70 (0.42)
6000 (170)	44.20 (11.01)	29.70 (7.40)	25.00 (6.23)	11.10 (2.76)	9.00 (2.24)	2.60 (0.65)	2.30 (0.57)	1.70 (0.42)
7000 (198)	---	40.60 (10.11)	34.00 (8.47)	15.10 (3.76)	12.25 (3.05)	3.00 (0.75)	2.60 (0.65)	1.70 (0.42)
8000 (226)	---	---	44.50 (11.08)	19.70 (4.91)	16.00 (3.98)	4.00 (1.00)	3.00 (0.75)	1.80 (0.45)
9000 (255)	---	---	---	24.90 (6.20)	20.25 (5.04)	5.00 (1.25)	3.80 (0.95)	1.90 (0.47)
10000 (283)	---	---	---	30.80 (7.67)	25.00 (6.23)	6.22 (1.55)	4.60 (1.15)	2.10 (0.52)
12000 (340)	---	---	---	44.20 (11.01)	36.00 (8.97)	9.00 (2.24)	6.80 (1.69)	2.40 (0.60)
14000 (369)	---	---	---	---	---	12.20 (3.04)	9.30 (2.32)	v
16000 (453)	---	---	---	---	---	16.00 (4.00)	12.10 (3.01)	3.40 (0.85)
18000 (510)	---	---	---	---	---	20.20 (5.03)	15.30 (3.81)	4.40 (1.10)
20000 (566)	---	---	---	---	---	25.00 (6.23)	18.90 (4.71)	5.40 (1.35)
25000 (708)	---	---	---	---	---	40.60 (10.11)	30.70 (7.65)	8.90 (2.22)
30000 (849)	---	---	---	---	---	---	42.50 (10.59)	12.40 (3.09)
35000 (991)	---	---	---	---	---	---	---	17.05 (4.25)
40000 (1133)	---	---	---	---	---	---	---	21.70 (5.41)
45000 (1274)	---	---	---	---	---	---	---	27.40 (6.83)
50000 (1416)	---	---	---	---	---	---	---	33.80 (8.42)
55000 (1557)	---	---	---	---	---	---	---	41.00 (10.21)

NOTE: Do not exceed 36" pressure drop when determining acceptable capacities at which these controls may be used. Under some conditions, these limits may be surpassed, but only after consultation with Maxitrol. See pages 58-59 for Regulator Sizing Requirements and Examples.

Spring Selection

Model	Available Springs	
220D	1 psi to 3 psi (6.9 kPa to 20.7 kPa) Red	2 psi to 5 psi (13.8 kPa to 34.5 kPa) Yellow
220E	1 psi to 3 psi (6.9 kPa to 20.7 kPa) Red	2 psi to 5 psi (13.8 kPa to 34.5 kPa) Yellow
220G	1 psi to 3 psi (6.9 kPa to 20.7 kPa) Red	2 psi to 5 psi (13.8 kPa to 34.5 kPa) Yellow
220J	1 psi to 3 psi (6.9 kPa to 20.7 kPa) Red	2 psi to 5 psi (13.8 kPa to 34.5 kPa) Yellow

NOTE: See pages 56-57 for complete Spring Selection Chart.

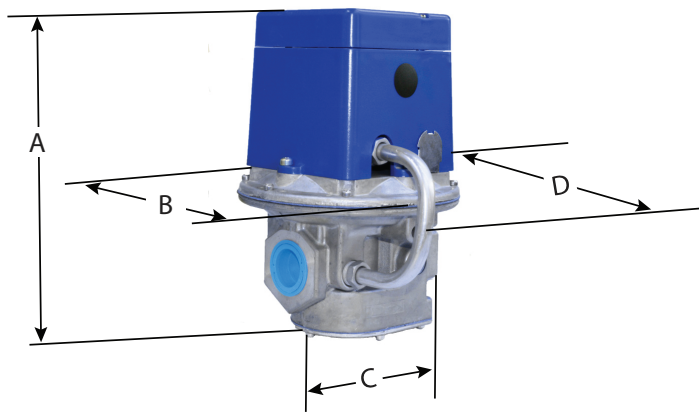
220 SERIES

Pilot Loaded Design

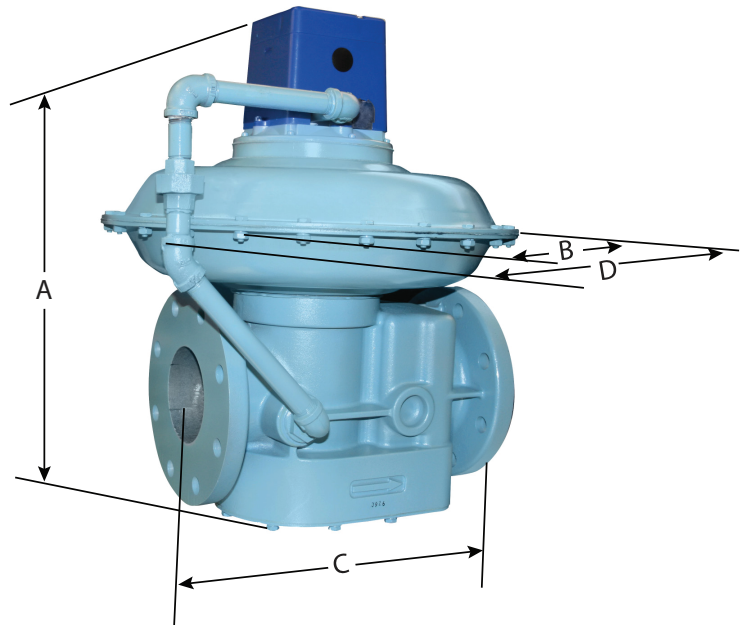
Dimensions

Model	Pipe Size	Vent Connection	Swing Radius	Dimensions			
				A	B	C	D
220D	1", 1 1/4", 1 1/2"	12A06 vent limiting device installed.	8.1" (206 mm)	9.5" (241 mm)	7" (178 mm)	5.5" (140 mm)	8.3" (210 mm)
220E	1 1/2", 2"	12A06 vent limiting device installed.	8.6" (217 mm)	11.2" (285 mm)	9.1" (232 mm)	7.6" (194 mm)	10" (256 mm)
220G	2 1/2", 3"	12A06 vent limiting device installed.	10.4" (264 mm)	14.2" (362 mm)	13.5" (343 mm)	10.4" (264 mm)	15.8" (400 mm)
220J	4"	12A06 vent limiting device installed.	—	20.5" (520 mm)	18" (457 mm)	13.9" (352 mm)	20" (508 mm)

NOTE: Dimensions are maximums and to be used only as an aid in designing clearance for the valve. Actual production dimensions may vary somewhat from those shown.

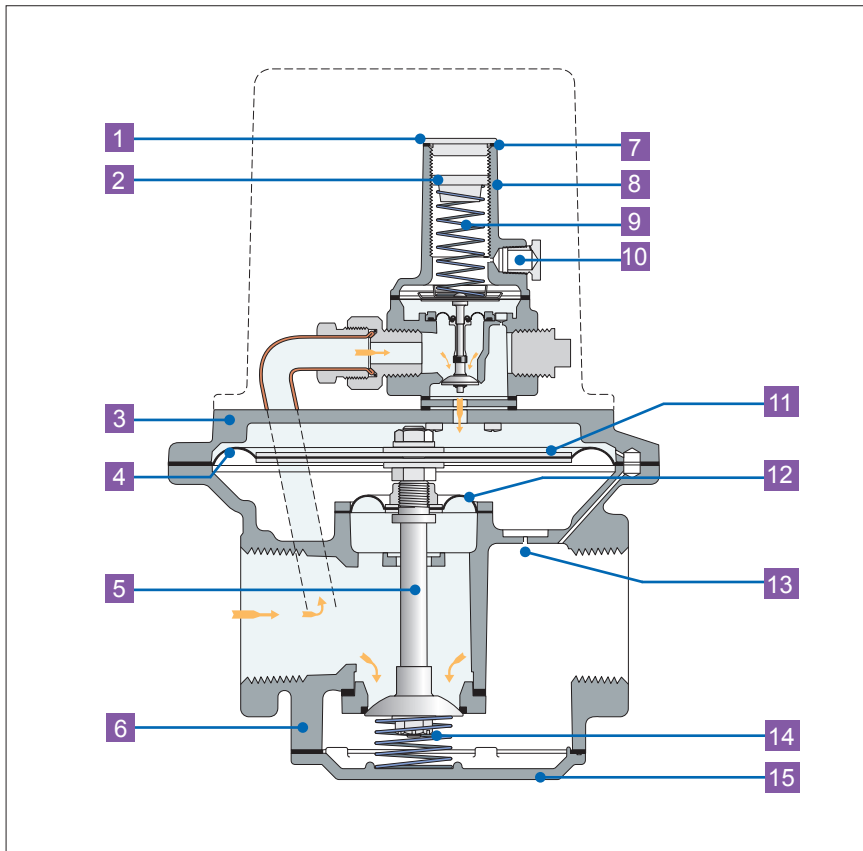


220D, 220E, 220G



220J

Pilot Loaded Design



- 1 Seal Cap
- 2 Adjusting Screw
- 3 Top Housing
- 4 Regulating Diaphragm
- 5 Stem & Valve
- 6 Bottom Housing
- 7 Seal Cap Gasket
- 8 Stack
- 9 Spring
- 10 Vent Connection
- 11 Diaphragm Plates
- 12 Balancing Diaphragm
- 13 Sensing Hole
- 14 Counter Spring
- 15 Bottom Plate

NOTE: Diagrams are graphical representations only and may differ from actual product.

SR SERIES

2 Stage Design

An ideal replacement for dual manifold systems, the SR series combines gas pressure regulating and flame staging in a single unit. Applications include direct-fired heaters with two speed fans, hi-lo control for outdoor heaters, LP natural gas switchover and industrial processing.



SR400

Specifications

Pipe Sizes 3/8" thru 1" threaded connections with NPT or ISO 7-1 threads.

Housing Material SR400, SR500, SR600: aluminum.

Mounting Mount in an upright position only.

NOTE: All Maxitrol gas pressure regulators should be installed and operated in accordance with Maxitrol Safety Warning Instructions (see SELMMRSR_MI_EN.FR.ES).

Certifications SR400, SR500, SR600: ANSI Z21.18/CSA 6.3 Gas Appliance Pressure Regulators (except suffix -2 models).

Fuel Gases Suitable for natural, manufactured, mixed gases, liquefied petroleum gases, and LP gas-air mixtures.

Rated Inlet Pressure CSA Certified: 1/2 psi (3.4 kPa)

Maxitrol Tested 1 psi (6.9 kPa)

Flow Rates..... up to 1,000 CFH (28.32 m³/h)

Emergency Exposure Limits..... 2.5 psi (17.2 kPa)

Ambient Temperature Ranges..... -40 to 175°F (-40 to 79°C)

Minimum Regulation..... SR400, SR500: 5 CFH; SR600: 60 CFH

NOTE: SR400-2, SR500-2, SR600-2 models are designed primarily for LP gas applications.

NOTE: All models may be powered by a 24 volt AC transformer. When the coil is energized, the appliance is at low fire. When the coil is de-energized, it is high fire. Continuous regulation is maintained to hold the electrically set outlet pressure constant.

NOTE: Suffix "W" refers to an aluminum terminal enclosure.



Capacities and Pressure Drop: inches w.c. (kPa)

Model Number	Pipe Size	Flow Rate - CFH (m³/h)								
		CSA MAX	100 (2.83)	200 (5.66)	300 (8.50)	400 (11.33)	500 (14.16)	600 (16.99)	750 (21.24)	1000 (28.32)
SR400	3/8" x 3/8"	150 (4.02)	0.33 (0.08)	1.30 (0.32)	---	---	---	---	---	---
	1/2" x 1/2"	170 (4.8)	0.27 (0.07)	1.10 (0.27)	---	---	---	---	---	---
SR500	1/2" x 1/2"	360 (10.2)	0.08 (0.02)	0.30 (0.08)	0.68 (0.17)	1.20 (0.30)	---	---	---	---
	3/4" x 3/4"	400 (11.2)	0.05 (0.01)	0.21 (0.05)	0.47 (0.12)	0.83 (0.20)	1.30 (0.32)	---	---	---
SR600	3/4" x 3/4"	600 (16.8)	---	0.09 (0.02)	0.20 (0.05)	0.36 (0.09)	0.56 (0.14)	0.81 (0.20)	1.25 (0.31)	---
	1" x 1"	600 (16.8)	---	0.07 (0.02)	0.16 (0.04)	0.29 (0.07)	0.45 (0.11)	0.66 (0.16)	1.00 (0.25)	1.75 (0.44)

NOTE: Capacities expressed in CFH (m³/h) @ 0.64 sp gr gas

CSA maximum capacities vary with spring range and pipe size. Please contact Maxitrol directly for CSA maximums. See pages 58-59 for Regulator Sizing Requirements and Examples.

Spring Selection: inches w.c. (kPa)

Model	Available Springs					
SR400 (-1)	Maximum	3 to 5 (0.75 to 1.25) S. Steel	2.5 to 3.5 (0.62 to 0.87) White	4 to 6 (1 to 1.5) S. Steel	3 to 5 (0.75 to 1.25) White	---
	Minimum	0.3 to 1.2 (0.07 to 0.3) Plated	0.3 to 1.2 (0.07 to 0.3) Plated	1 to 2.8 (0.25 to 0.7) Blue	1 to 2.8 (0.25 to 0.7) Blue	2.5 to 4 (0.62 to 1) Black
SR400-2*	Maximum	7.5 to 12 (1.87 to 3) - Blue				
SR500 (-1)	Maximum	3 to 5 (0.75 to 1.25) S. Steel	1.5 to 3.5 (0.37 to 0.87) White	3.5 to 6 (0.87 to 1.5) S. Steel	2 to 4.5 (0.5 to 1.12) White	---
	Minimum	0.3 to 1.2 (0.07 to 0.3) Plated	0.3 to 1.2 (0.07 to 0.3) Plated	1 to 2.8 (0.25 to 0.07) Blue	1 to 2.8 (0.25 to 0.7) Blue	2.5 to 4 (0.62 to 1) Black
SR500-2*	Maximum	7.5 to 12 (1.87 to 3) - Blue				
SR600 (-1)	Maximum	3 to 5 (0.75 to 1.25) S. Steel	2.5 to 4 (0.62 to 1) White	4 to 6 (1 to 1.5) S. Steel	3 to 5.5 (0.75 to 1.37) White	---
	Minimum	0.5 to 1.2 (0.12 to 0.3) Plated	0.5 to 1.2 (0.07 to 0.3) Plated	1 to 2.8 (0.25 to 0.7) Blue	1 to 2.8 (0.25 to 0.7) Blue	2.5 to 4 (0.62 to 1) Black
SR600-2*	Maximum	7.5 to 12 (1.87 to 3) - Blue				

* For LP application - may be used with any minimum spring.

NOTE: See pages 56-57 for complete Spring Selection Chart.

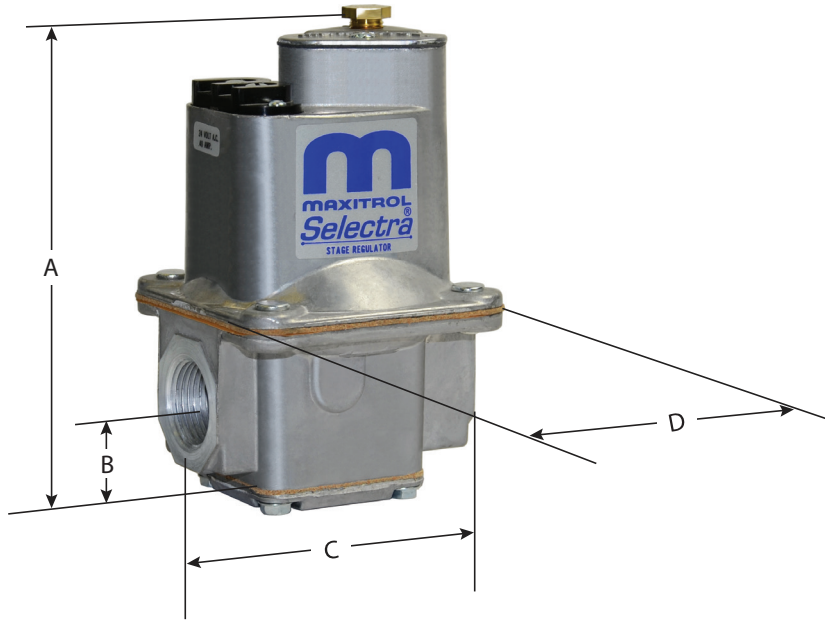
SR SERIES

2 Stage Design

Dimensions

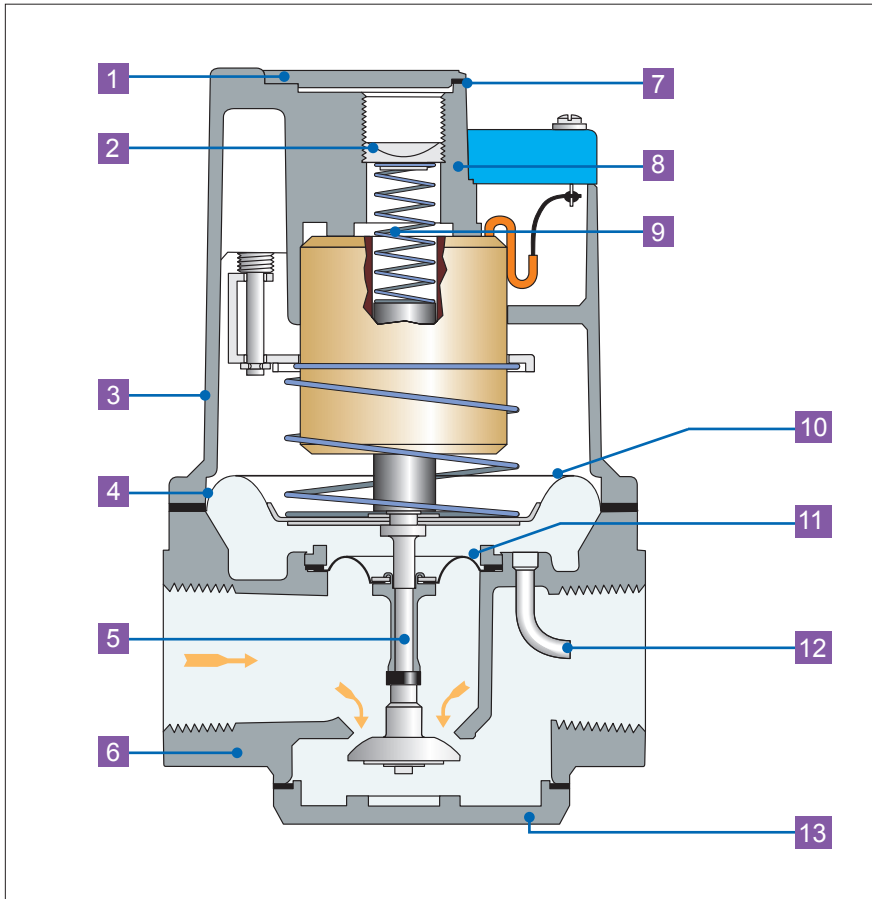
Model	Pipe Size	Vent Connection	Dimensions			
			A	B	C	D
SR400	3/8", 1/2"	1/8" NPT, 12A06 vent limiting device installed.	4" (102 mm)	1" (25 mm)	2.2" (56 mm)	2" (51 mm)
SR500	1/2", 3/4"	1/8" NPT, 12A06 vent limiting device installed.	5.3" (135 mm)	1.2" (30 mm)	3.4" (86 mm)	3.2" (81 mm)
SR600	3/4", 1"	1/8" NPT, 12A06 vent limiting device installed.	7" (178 mm)	1.5" (38 mm)	4" (102 mm)	3.9" (99 mm)

NOTE: Dimensions are maximums and to be used only as an aid in designing clearance for the valve. Actual production dimensions may vary somewhat from those shown.



SR400, SR500, SR600

2 Stage Design



- 1 Seal Cap
- 2 Adjusting Screw
- 3 Top Housing
- 4 Regulating Diaphragm
- 5 Stem & Valve
- 6 Bottom Housing
- 7 Seal Cap Gasket
- 8 Stack
- 9 Spring
- 10 Diaphragm Plates
- 11 Balancing Diaphragm
- 12 Sensing Tube
- 13 Bottom Plate

NOTE: Diagrams are graphical representations only and may differ from actual product.

325-L SERIES

Lever Acting Design for 2 psi Piping Systems

Maxitrol's 325-L series line pressure regulators are for 2 psi piping systems. 325 series regulators are for use on residential, commercial, and industrial applications.

The 325 series features a high leverage linkage assembly to deliver dead-end lockup (see page 63). The regulators are capable of precise regulating control from full flow down to pilot flow.



Specifications

Pipe Sizes 3/8" to 3" threaded connections with NPT or ISO 7-1 threads.
Optional 1/8" NPT outlet pressure taps on 325-7, 325-9, and 325-11.

Housing Material 325-3L, 325-5L, 325-7AL, 325-9L, 325-11L: aluminum.

Mounting All models with the exception of the 325-11L are suitable for multi-positional mounting. The 325-11L is to be mounted in a horizontal upright position only. If a **vLimiter®** or **vProtector®** is installed, mount in an upright horizontal position only.

NOTE: All Maxitrol gas pressure regulators should be installed and operated in accordance with Maxitrol Safety Warning Instructions (see GPR_CSA_2PSI_MI_EN.FR).

Certifications 325-3L, 325-5L, 325-7AL, 325-9L, 325-11L: ANSI Z21.80/CSA 6.22 Line Pressure Regulators.

Fuel Gases Suitable for natural, manufactured, mixed gases, liquefied petroleum gases, and LP gas-air mixtures.

Rated Inlet Pressure CSA Certified: 2 psi (13.8 kPa)

Maxitrol Tested 10 psi (69 kPa)

Emergency Exposure Limits 65 psi (450 kPa) (inlet side only)

Maximum Individual Load Largest single appliance served by the regulator
325-3L: 140,000 Btu/h;
325-5L: 425,000 Btu/h;
325-7AL: 1,250,000 Btu/h;
325-9L: 2,250,000 Btu/h;
325-11L: 4,450,000 Btu/h

Capacity Total load of multiple appliances combined
325-3L (3/8", 1/2"): 250,000 Btu/h;
325-5L (1/2"): 500,000 Btu/h; 325-5L (3/4", 1"): 600,000 Btu/h;
325-7AL (1 1/4", 1 1/2"): 1,250,000 Btu/h;
325-9L (1 1/2", 2"): 2,250,000 Btu/h;
325-11L (2", 2 1/2", 3"): 4,500,000 Btu/h

NOTE: Capacities are used to determine the maximum multiple appliance load. The largest single appliance served by the regulator should not exceed the maximum individual load specified above.

Ambient Temperature Ranges -40 to 205°F (-40 to 96°C)

Minimum Regulation Suitable for pilot flow applications. **(P)** (Circle P) (0.15 CFH NG).

Imblue Technology™ 325-3L, 325-5L, 325-7AL, 325-9L models may be ordered with Imblue Technology™. ImblueTechnology™ increases corrosion resistance and provides extra protection against the elements for regulators used in outdoor applications. Add suffix letter "B" to model number when ordering.



Capacities

Capacities expressed in CFH (m³/h) @ 0.64 sp gr gas

Model	Pipe Size	Outlet Pressure Set Point	Operating Inlet Pressure				
			.5 psi (3.4 kPa)	.75 psi (5.2 kPa)	1 psi (6.9 kPa)	1.5 psi (10.3 kPa)	2 psi (13.8 kPa)
325-3L	3/8" x 3/8" 1/2" x 1/2"	7.0" w.c. (1.7 kPa)	145 (4.1)	200 (5.7)	250 (7.1)	250 (7.1)	250 (7.1)
		10.0" w.c. (2.5 kPa)	110 (3.1)	180 (5.1)	230 (6.5)	250 (7.1)	250 (7.1)
325-5L	1/2" x 1/2"	7.0" w.c. (1.7 kPa)	360 (10.2)	485 (13.7)	500 (14.2)	500 (14.2)	500 (14.2)
		10.0" w.c. (2.5 kPa)	275 (7.8)	475 (13.5)	500 (14.2)	500 (14.2)	500 (14.2)
325-5L	3/4" x 3/4" 1" x 1"	7.0" w.c. (1.7 kPa)	370 (10.5)	520 (14.7)	600 (17.0)	600 (17.0)	600 (17.0)
		10.0" w.c. (2.5 kPa)	275 (7.8)	450 (12.7)	570 (16.1)	600 (17.0)	600 (17.0)
325-7AL	1 1/4" x 1 1/4" 1 1/2" x 1 1/2"	7.0" w.c. (1.7 kPa)	750 (21.2)	1000 (28.3)	1250 (35.4)	1250 (35.4)	1250 (35.4)
		10.0" w.c. (2.5 kPa)	525 (14.9)	900 (25.5)	1125 (31.9)	1250 (35.4)	1250 (35.4)
325-9L	1 1/2" x 1 1/2" 2" x 2"	7.0" w.c. (1.7 kPa)	1390 (39.4)	2080 (58.9)	2250 (63.7)	2250 (63.7)	2250 (63.7)
		10.0" w.c. (2.5 kPa)	1050 (29.7)	1660 (47.0)	2090 (59.2)	2250 (63.7)	2250 (63.7)
325-11L	2" x 2" 2 1/2" x 2 1/2" 3" x 3"	7.0" w.c. (1.7 kPa)	3000 (85.0)	3900 (110.4)	4500 (127.4)	4500 (127.4)	4500 (127.4)
		10.0" w.c. (2.5 kPa)	1890 (53.5)	2770 (78.4)	3600 (101.9)	4500 (127.4)	4500 (127.4)

NOTE: See pages 58-59 for Regulator Sizing Requirements and Examples.

Pressure Drop: expressed in CFH (m³/h) @ 0.64 sp gr gas

Model	7.0" w.c. (1.7 kPa)	.5 psi (3.4 kPa)	.75 psi (5 kPa)
325-3L	145 (4.0)	204 (5.8)	250 (7.0)
325-5L	400 (11.3)	550 (15.6)	670 (19.0)
325-7AL	815 (23.1)	1149 (32.5)	1405 (39.8)
325-9L	1360 (38.5)	2113 (59.8)	2557 (72.4)
325-11L	3000 (85.0)	4220 (119.5)	5170 (146.4)

Spring Selection

Outlet Pressure Range (all models)

Certified Spring 7" to 11" w.c. (1.7 to 2.7 kPa)

NOTE: See to pages 56-57 for complete Spring Selection Chart.

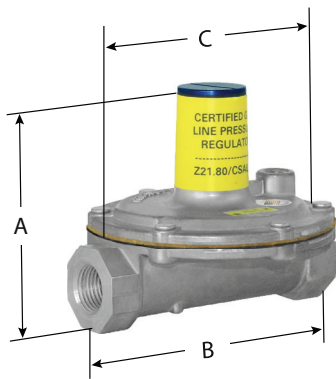
325-L SERIES

Lever Acting Design for 2 psi Piping Systems

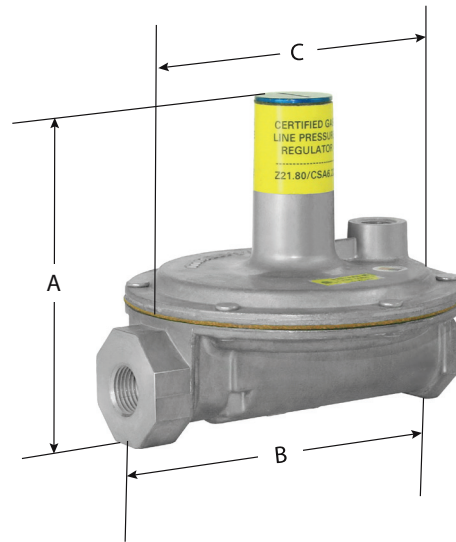
Dimensions

Model	Pipe Size	Vent Connection	Swing Radius	Dimensions		
				A	B	C
325-3L	3/8", 1/2"	1/8" NPT	3" (76 mm)	3.5" (89 mm)	4.2" (108 mm)	3.9" (98 mm)
325-5L	1/2", 3/4", 1"	3/8" NPT	4.9" (124 mm)	5.3" (133 mm)	5.9" (149 mm)	5.4" (138 mm)
325-7AL	1 1/4", 1 1/2"	1/2" NPT	6.1" (156 mm)	7.3" (184 mm)	8" (203 mm)	7" (178 mm)
325-9L	1 1/2", 2"	1/2" NPT	7.8" (198 mm)	9.4" (239 mm)	10.8" (274 mm)	9.1" (231 mm)
325-11L	2", 2 1/2", 3"	3/4" NPT	11.0" (279 mm)	13.1" (333 mm)	16.1" (409 mm)	13.5" (343 mm)

NOTE: Dimensions are maximums and to be used only as an aid in designing clearance for the valve. Actual production dimensions may vary somewhat from those shown.

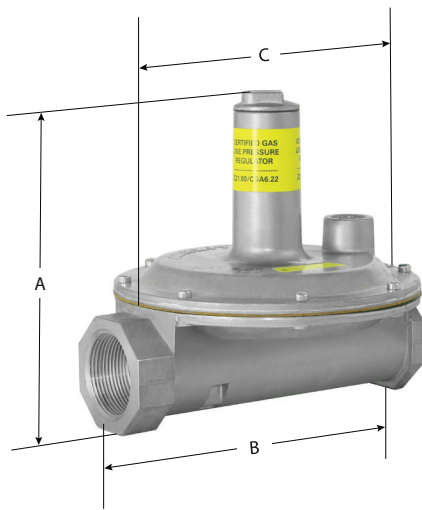


325-3L

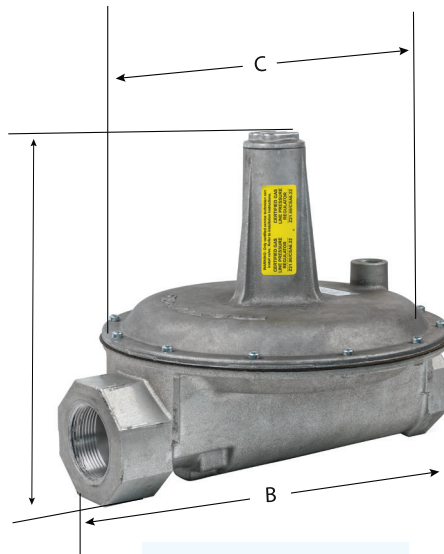


325-5L

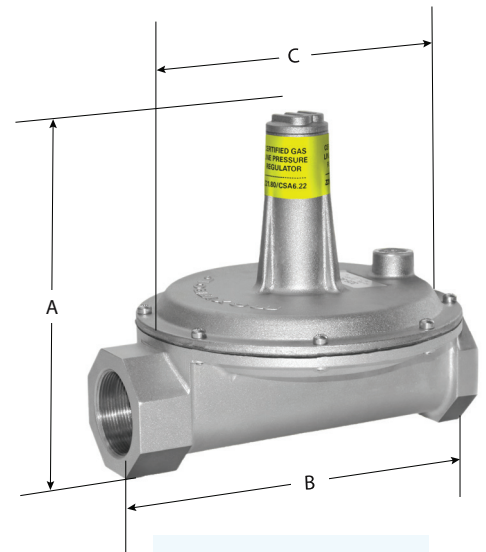
LINE REGULATORS



325-7AL

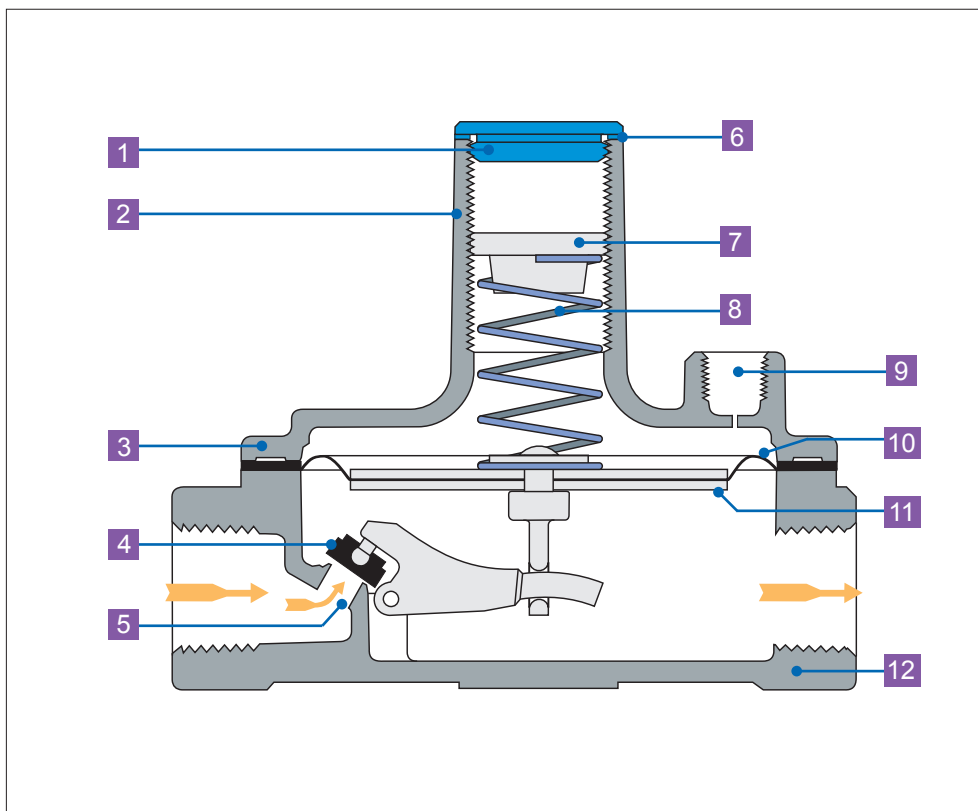


325-11L



325-9L

Lever Acting Design



- 1 Seal Cap
- 2 Stack
- 3 Top Housing
- 4 Rubber Valve
- 5 Valve Seat
- 6 Seal Cap Gasket
- 7 Adjusting Screw
- 8 Spring
- 9 Vent Connection
- 10 Diaphragm
- 11 Diaphragm Plates
- 12 Bottom Housing

NOTE: Diagrams are graphical representations only and may differ from actual product.

325-L SERIES

Lever Acting Design with OPDs for 5 psi Piping Systems

Maxitrol's 325-L series line pressure regulators with OPDs are for use on 5 psi piping systems. The regulator reduces pounds pressure to a level within the appliance or equipment's operating supply range. The line regulator is located upstream of equipment already fitted with an appliance regulator. The 325 series features a high leverage linkage assembly to deliver dead-end lockup.



Specifications

Pipe Sizes 3/8" thru 2" threaded connections with NPT or ISO 7-1 threads.

Housing Material All models: aluminum.

Mounting All models with the exception of 325-7AL210D, 325-9L210E, and 325-11L210G are suitable for multi-positional mounting. 325-7AL210D, 325-9L210E, and 325-11L210G are to be mounted in an upright horizontal position only. If a **vLimiter**[®] or **vProtector**[®] is installed, mount in an upright horizontal position only.

NOTE: Line pressure regulators with separate overpressure protection devices are factory preassembled and supplied to the field as a unit. All Maxitrol gas pressure regulators should be installed and operated in accordance with Maxitrol Safety Warning Instructions (see LPROPD_MI_EN.FR).

Certifications All models: ANSI Z21.80/CSA 6.22 Line Pressure Regulators

Fuel Gases Suitable for natural, manufactured, mixed gases, liquefied petroleum gases, and LP gas-air mixtures.

Rated Inlet Pressure CSA Certified: 5 psi (34.5 kPa)

Maxitrol Tested 10 psi (69 kPa)

With 12A09, 12A39, or 12A49 vLimiter[®] Installed

Natural: 5 psi (34.5 kPa); LP: 2 psi (13.8 kPa)

Emergency Exposure Limits 65 psi (450 kPa) (inlet side only)

Maximum Individual Load and Capacity

325-3L47 (3/8", 1/2") (w/OPD 47 attached).....	125,000 Btu/h
325-3L48 (1/2") (w/OPD 48 attached).....	200,000 Btu/h
325-5L48 (1/2") (w/OPD 48 attached).....	235,000 Btu/h
325-5L48 (3/4") (w/OPD 48 attached).....	320,000 Btu/h
325-5L600 (3/4") (w/OPD 600 attached).....	425,000 Btu/h
325-5L600 (1") (w/OPD 600 attached).....	465,000 Btu/h
325-7AL210D (1 1/4", 1 1/2") (w/OPD 210D attached).....	1,250,000 Btu/h
325-9L210E (1 1/2", 2") (w/OPD 210E attached).....	2,250,000 Btu/h
325-11L210G (2", 2 1/2", 3") (w/OPD 210G attached).....	4,500,000 Btu/h

Ambient Temperature Ranges -40 to 205°F (-40 to 96°C)

Minimum Regulation Suitable for pilot flow applications. **(P)** (Circle P) (0.15 CFH NG).

NOTICE

Maxitrol vent limiting devices eliminate the need to run vent piping to the outside. Vent limiting devices are designed for use indoors and in spaces where limiting the amount of gas escapement due to diaphragm failure is critical. **Vent limiting devices should not be used outdoors if they are exposed to the environment.** When installed outdoors, the use of a certified Maxitrol Vent Protector is recommended.



Capacities

Capacities expressed in CFH (m³/h) @ 0.64 sp gr gas

Model	Pipe Size	Outlet Pressure Set Point	Operating Inlet Pressure			
			1/2 psi (3.4 kPa)	3/4 psi (5.2 kPa)	1 psi (6.9 kPa)	5 psi (34.5 kPa)
325-3L47	3/8" x 3/8"	7" w.c.	125 (3.5)	125 (3.5)	125 (3.5)	125 (3.5)
		10" w.c.	100 (2.8)	125 (3.5)	125 (3.5)	125 (3.5)
325-3L47	1/2" x 1/2"	7" w.c.	125 (3.5)	125 (3.5)	125 (3.5)	125 (3.5)
		10" w.c.	105 (2.9)	125 (3.5)	125 (3.5)	125 (3.5)
325-3L48	1/2" x 1/2"	7" w.c.	160 (4.5)	200 (5.6)	200 (5.6)	200 (5.6)
		10" w.c.	120 (3.4)	200 (5.6)	200 (5.6)	200 (5.6)
325-5L48	1/2" x 1/2"	7" w.c.	235 (6.6)	235 (6.6)	235 (6.6)	235 (6.6)
		10" w.c.	235 (6.6)	235 (6.6)	235 (6.6)	235 (6.6)
325-5L48	3/4" x 3/4"	7" w.c.	320 (9.0)	320 (9.0)	320 (9.0)	320 (9.0)
		10" w.c.	245 (6.9)	320 (9.0)	320 (9.0)	320 (9.0)
325-5L600	3/4" x 3/4"	7" w.c.	345 (9.6)	425 (11.9)	425 (11.9)	425 (11.9)
		10" w.c.	260 (7.3)	425 (11.9)	425 (11.9)	425 (11.9)
325-5L600	1" x 1"	7" w.c.	375 (10.5)	465 (13.0)	465 (13.0)	465 (13.0)
		10" w.c.	285 (8.0)	465 (13.0)	465 (13.0)	465 (13.0)
325-7AL210D	1 1/4" x 1 1/4"	7" w.c.	815 (22.8)	1120 (31.4)	1250 (35.4)	1250 (35.4)
		10" w.c.	580 (16.2)	900 (25.2)	1100 (30.8)	1250 (35.4)
325-7AL210D	1 1/2" x 1 1/2"	7" w.c.	815 (22.8)	1120 (31.4)	1250 (35.4)	1250 (35.4)
		10" w.c.	580 (16.2)	900 (25.2)	1100 (30.8)	1250 (35.4)
325-9L210E	1 1/2" x 1 1/2"	7" w.c.	1380 (38.6)	2000 (56.0)	2250 (63.0)	2250 (63.0)
		10" w.c.	890 (24.9)	1750 (49.0)	2100 (58.8)	2250 (63.0)
325-9L210E	2" x 2"	7" w.c.	1380 (38.6)	2000 (56.0)	2250 (63.0)	2250 (63.0)
		10" w.c.	890 (24.9)	1750 (49.0)	2100 (58.8)	2250 (63.0)
325-11L210G	2" x 2" 2 1/2" x 2 1/2" 3" x 3"	7" w.c.	3000 (85.0)	3900 (110.4)	4500 (127.4)	4500 (127.4)
		10" w.c.	1890 (53.5)	2770 (78.4)	3600 (101.9)	4500 (127.4)

NOTE: See pages 58-59 for Regulator Sizing Requirements and Examples.

Imblue Technology™: All models, with the exception of the 325-11, may be ordered with Imblue Technology™. Imblue Technology™ increases corrosion resistance and provides extra protection against the elements for regulators used in outdoor applications. Add suffix letter "B" to model number when ordering.

325-L SERIES

Lever Acting Design with OPDs
for 5 psi Piping Systems

Pressure Drop

Pressure Drop expressed in CFH (m³/h) @ 0.64 sp gr gas

Model	Pipe Size	Pressure Drop		
		7" w.c. (1.7 kPa)	1/2 psi (3.4 kPa)	3/4 psi (5.2 kPa)
325-3L47	3/8" x 3/8"	130 (3.6)	185 (5.2)	225 (6.3)
325-3L47	1/2" x 1/2"	135 (3.8)	195 (5.4)	235 (6.6)
325-3L48	1/2" x 1/2"	160 (4.5)	225 (6.3)	275 (7.7)
325-5L48	1/2" x 1/2"	315 (8.8)	450 (12.6)	545 (15.4)
325-5L48	3/4" x 3/4"	325 (9.1)	465 (13.0)	565 (16.0)
325-5L600	3/4" x 3/4"	345 (9.6)	490 (13.7)	595 (16.8)
325-5L600	1" x 1"	375 (10.5)	535 (15.0)	650 (18.4)
325-7AL210D	1 1/4" x 1 1/4"	800 (22.7)	1095 (31.0)	1385 (39.2)
325-7AL210D	1 1/2" x 1 1/2"	800 (22.7)	1095 (31.0)	1385 (39.2)
325-9L210E	1 1/2" x 1 1/2"	1360 (38.5)	2113 (59.8)	2557 (72.4)
325-9L210E	2" x 2"	1360 (38.5)	2113 (59.8)	2557 (72.4)
325-11L210E	2" x 2" 2 1/2" x 2 1/2" 3" x 3"	2890 (81.8)	4100 (116.1)	5000 (141.6)

NOTE: See pages 58-59 for Regulator Sizing Requirements and Examples.

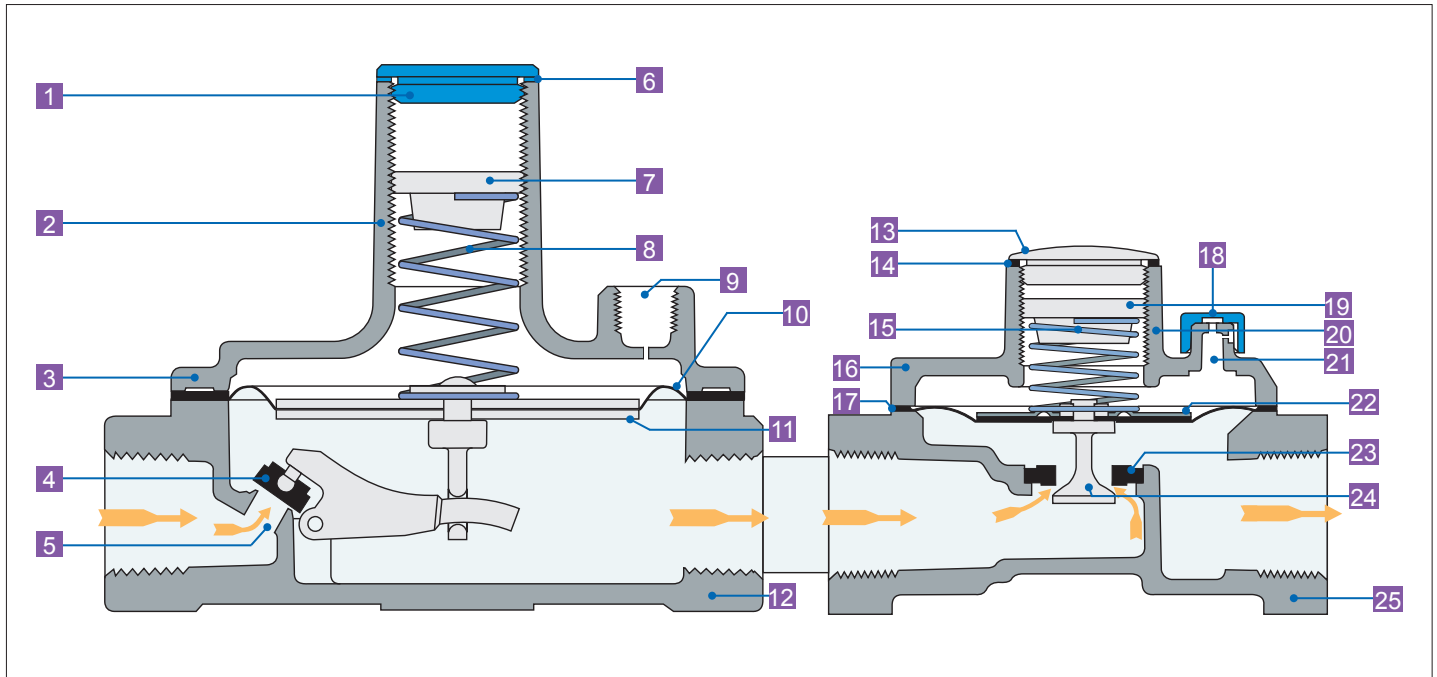
Spring Range Selection

Outlet Pressure Range (all models)

Certified Spring 7" to 11" w.c. (1.7 to 2.7 kPa)

NOTE: Please refer to pages 56-57 for complete Spring Selection Chart.

Lever Acting Design With OPD



NOTE: Diagrams are graphical representations only and may differ from actual product.

1	Seal Cap	8	Spring	15	Spring	22	Diaphragm Plate
2	Stack	9	Vent Connection	16	Top Housing	23	Rubber Seat
3	Top Housing	10	Diaphragm	17	Diaphragm	24	Stem & Valve
4	Rubber Valve	11	Diaphragm Plates	18	Dust Cap	25	Bottom Housing
5	Valve Seat	12	Bottom Housing	19	Adjusting Screw		
6	Seal Cap Gasket	13	Seal Cap	20	Stack		
7	Adjusting Screw	14	Seal Cap Gasket	21	Vent		

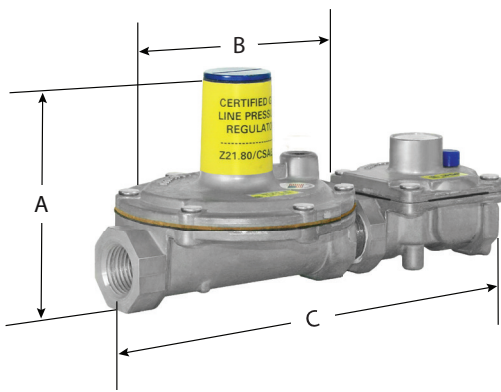
325-L SERIES

Lever Acting Design with OPDs
for 5 psi Piping Systems

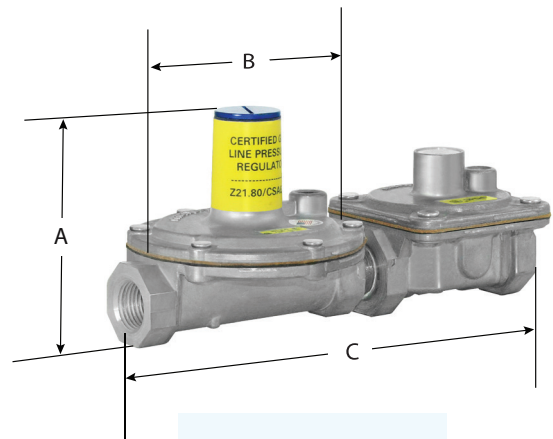
Dimensions

Model	Pipe Size	Vent Connection	Swing Radius	Dimensions		
				A	B	C
325-3L47	3/8", 1/2"	325-3L: 1/8" OPD47: Integral	3" (76 mm)	3.5" (89 mm)	3.9" (99 mm)	8" (203 mm)
325-3L48	1/2"	325-3L: 1/8" OPD48: 1/8"	3" (76 mm)	3.5" (89 mm)	3.9" (99 mm)	8.5" (216 mm)
325-5L48	1/2", 3/4"	325-5L: 3/8" OPD48: 1/8"	4.4" (112 mm)	5.3" (135 mm)	5.4" (137 mm)	10" (254 mm)
325-5L600	3/4", 1"	325-5L: 3/8" OPD600: 1/8"	4.4" (112 mm)	5.5" (140 mm)	5.4" (137 mm)	11" (279 mm)
325-7AL210D	1 1/4", 1 1/2"	325-7AL: 1/2" OPD210D: 3/8"	6.75" (171 mm)	7" (178 mm)	9" (229 mm)	15.4" (391 mm)
325-9L210E	1 1/2", 2"	325-9L: 1/2" OPD210E: 1/2"	8.3" (211 mm)	9.4" (239 mm)	9.1" (231 mm)	20.6" (523 mm)
325-11L210G	2", 2 1/2", 3"	325-11L: 3/4" OPD210E: 3/4"	11.9" (302 mm)	16.5" (419 mm)	13.5" (343 mm)	29" (737 mm)

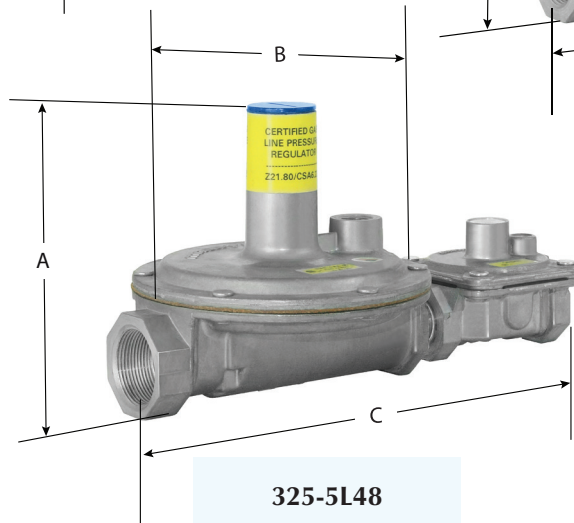
NOTE: Dimensions are maximums and to be used only as an aid in designing clearance for the valve.
Actual production dimensions may vary somewhat from those shown.



325-3L47

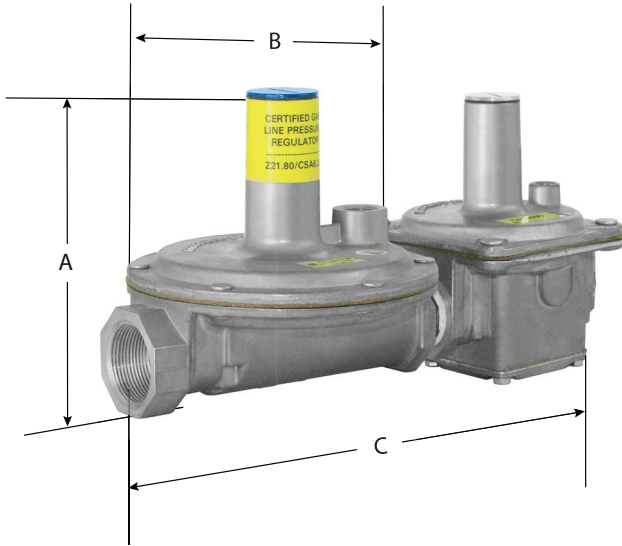


325-3L48

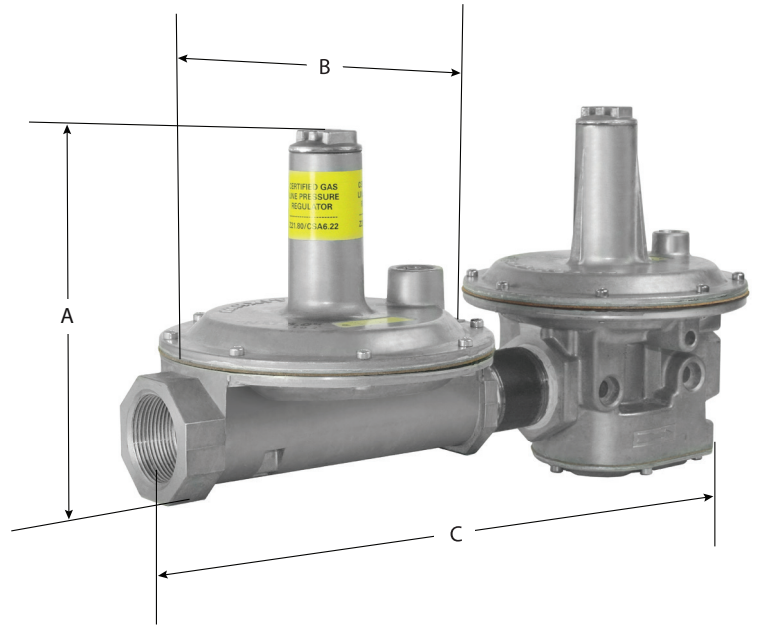


325-5L48

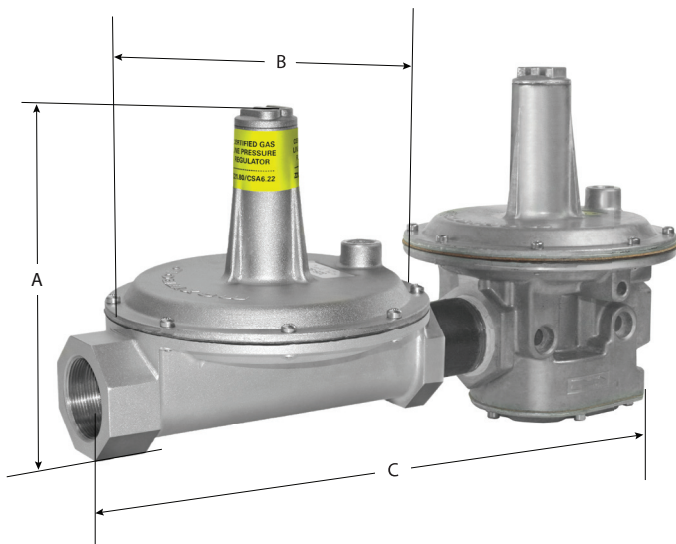
LINE REGULATORS



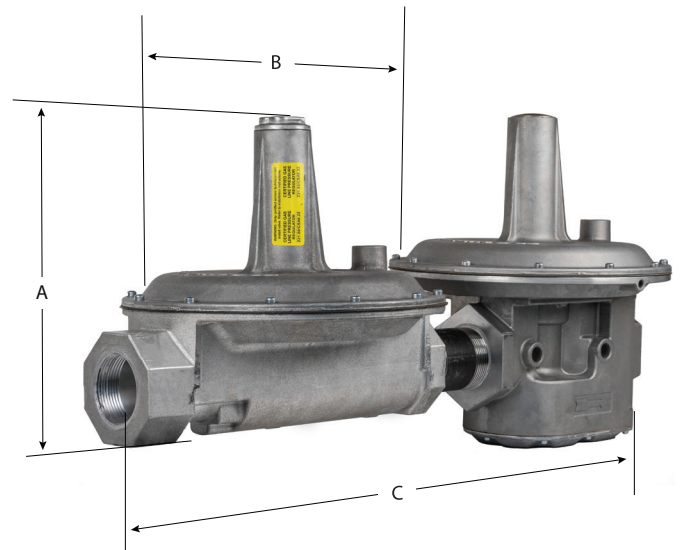
325-5L600



325-7AL210D



325-9L210E



325-11L210G

M/MR SERIES

Modulating Valves

For atmospheric, infrared, and direct fired burners, modulator and modulator/regulator valves provide precise, non-fluctuating, instantaneous temperature control without requiring a motor or mechanically driven butterfly valve. No external mechanical activation required. MR valve (only) performs dual function of modulation and pressure regulation. Applications include stabilized area heating, elevated heating, consistent higher baking/drying temperatures, and other process applications that require maintaining consistent temperatures.



MR212

Specifications

Pipe Sizes 3/8" to 3" threaded connections with NPT or ISO7-1 threads. 4" flange (212J) only

Housing Material All models: aluminum.

Mounting Must be mounted in upright position in horizontal pipe run, downstream of all other controls except high pressure cut-off switch if used (refer to MMR_MT_EN_09.2017).

NOTE: All Maxitrol modulating valves should be installed and operated in accordance with Maxitrol Safety Warning Instructions (see SELMMRSR_MI_EN.FR.ES).

Certifications MR410, MR410H-1, MR510, MR510H-1, MR610, and MR610H-1: CSA certified to Z21.18 and CSA 6.3-M82.

M511, M611, MR212D, E, and G: UL recognized for compliance to nationally published safety, construction, and performance standards in the U.S. and Canada.

Fuel Gases Natural, Manufactured, Mixed, Liquefied Petroleum and Liquefied Petroleum Gas Air Mixtures. H, H-1 models for use with Liquefied Petroleum and other applications.

Rated Inlet Pressure CSA Tested: MR410, MR410H-1, MR510, MR510H-1, MR610, MR610H-1, M411, M511, M611, M420, M420H, M520, M520H, M620, M620H, M451, M551, M651: 1/2 psi (3.4 kPa); CSA Rated: MR212D, MR212E, MR212G, MR212J: 5 psi (34 kPa).

Upstream Pressure Regulator Required YES: M valves
NO: MR valves

Emergency Exposure Limits MR410, MR410H-1, MR510, MR510H-1, MR610, MR610H-1, M411, M511, M611, M420, M420H, M520, M520H, M620, M620H, M451, M551, M651: 2.5 psi (17 kPa); MR251D, MR251E, MR251G, MR212D, MR212E, MR212G, MR212J: 12.5 psi (86 kPa)

Ambient Temperature Ranges All models: Operating: -40° to 125°F (-40° to 50°C); Non-operating: -50° to 185°F (-45° to 85°C)

Vent M411, M511, M611, M420, M520, M620, M420H, M520H, M620H, MR410 (H)(-1), MR510(H)(-1), MR610(H)(-1), M551, M651: Vertical vent outlet 1/8" NPT – 12A06 installed.

Models MR212 and MR251: Two vents located in upper housing, both equipped with vent limiting means.

Model Designations

Direct Fired (Negative pressure/pull through): M411, M511, M611, MR212D, MR212E, MR212G, MR212J.

Direct Fired (Positive pressure/push through): MR212D-1, MR212E-1, MR212G-1, MR212J-1.

Indirect Fired (Valves designed to operate on indirect fired atmospheric burner applications): M420, M520, M620, M451, M551, MR251D, MR251E, MR251G, MR410, MR510, MR610. 'H' Suffix Models designed with wider modulation span for use with LP (liquid propane gas) and other applications: MR410H-1, MR510H-1, MR610H-1, M420H, M520H, M620H.

Capacity

NOTE: For flows in excess of those shown below, consult with Maxitrol Company.

Model	Pipe Size	Flow Rate in CFH (m ³ /h)	100 (2.83)	150 (4.25)	200 (5.66)	250 (7.1)	300 (8.5)	350 (9.9)	400 (11.3)	450 (12.7)	500 (14.2)	600 (17.0)	700 (19.8)	750 (21.2)	Min. Flow
MR410 MR410H-1 M411*	3/8 X 3/8	Pressure Drop in inches w.c. (Pa)	0.33 (82)	0.75 (188)	--	--	--	--	--	--	--	--	--	--	5-90 (0.14-2.5)
M420* M420H* M451	1/2 X 1/2		0.27 (67)	0.61 (153)											
MR510 MR510H-1 M511*	1/2 X 1/2		--	0.17 (42)	0.30 (75)	0.47 (118)	0.67 (168)	0.92 (230)	--	--	--	--	--	--	5-125 (0.14-3.5)
M520* M520H* M551	3/4 X 3/4		--	0.12 (30)	0.21 (52)	0.32 (80)	0.47 (118)	0.64 (160)	0.83 (207)						
MR610 MR610H-1	3/4 X 3/4		--	--	--	0.14 (35)	0.20 (50)	0.27 (67)	0.36 (90)	0.45 (113)	0.56 (140)	0.81 (203)	--	--	10-330 (0.28-9.3)
M620* M620H* M651	1 X 1		--	--	--	0.12 (30)	0.16 (40)	0.22 (55)	0.29 (72)	0.37 (92)	0.45 (113)	0.66 (165)	0.90 (225)	1.00 (250)	

* Models to which min. flow applies. (Minimum flow maximum calculated $\Delta P = 3.5''$ w.c. [single by-pass])

M/MR SERIES

Modulating Valves

Capacity

NOTE: For flows in excess of those shown below, consult with Maxitrol Company.

Model	Pipe Size	Flow Rate in CFH (m ³ /h)	100 (2.83)	150 (4.25)	200 (5.66)	300 (8.5)	400 (11.3)	500 (14.2)	600 (17.0)	700 (19.8)	800 (22.7)	900 (25.5)	1000 (28.3)	CSA Listed	Min. Flow
M611*	3/4 x 3/4	Pressure Drop in inches w.c. (Pa)	0.02 (5)	0.06 (15)	0.09 (23)	0.20 (50)	0.36 (90)	0.56 (140)	0.81 (203)	1.10 (275)	1.45 (363)	1.83 (458)	--	1000	10-330 (0.28-9.3)
	1 x 1		0.02 (5)	0.05 (12)	0.07 (18)	0.16 (40)	0.29 (72)	0.46 (115)	0.66 (165)	0.90 (225)	1.18 (295)	1.50 (375)	1.85 (463)		

Model	Pipe Size	Flow Rate in CFH (m ³ /h)	1000 (28.3)	1500 (42.5)	2000 (56.5)	2500 (70.8)	3000 (85.0)	3500 (99.0)	5000 (142)	6000 (170)	7000 (198)	10000 (283)	11000 (311)	CSA Listed	Min. Flow Applies to MR212's only
MR212D* MR251D	1 x 1	Pressure Drop in inches w.c. (Pa)	1.9 (475)	2.9 (725)	4.9 (1225)	6.2** (1550)	--	--	--	--	--	--	--	2250	25-300 (0.71-8.5)
	1 1/4 x 1 1/4		1.7 (425)	2.3 (575)	3.1 (775)	4.8 (1200)	5.9** (1475)	--	--	--	--	--	--	2750	
	1 1/2 x 1 1/2		1.7 (425)	2.2 (550)	2.9 (725)	3.9 (975)	5.4 (1350)	--	--	--	--	--	--	3000	
MR212E*	1 1/2 x 1 1/2		--	--	1.9 (475)	2.4 (600)	2.9 (725)	3.5 (875)	6.0** (1500)	--	--	--	--	4750	25-300 (0.71-8.5)
MR251E	2 x 2		--	--	1.9 (475)	2.1 (525)	2.4 (600)	2.7 (675)	5.5 (1375)	6.0** (1500)	--	--	--	5250	
MR212G*	2 1/2 x 2 1/2		--	--	--	--	--	1.9 (475)	2.2 (550)	2.6 (650)	3.0 (750)	6.1 (1525)	--	10000	50-450 (1.4-12.7)
MR251G	3 x 3	--	--	--	--	--	--	2.1 (525)	2.3 (575)	2.6 (650)	4.6 (1150)	5.6 (1400)	11000	--	

Model	Pipe Size	Flow Rate in CFH (m ³ /h)	6000 (170)	8000 (227)	10000 (283)	12000 (340)	14000 (397)	16000 (397)	18000 (510)	20000 (566)	22000 (623)	24000 (680)	27000 (765)	30000 (850)	Min. Flow
MR212J	4 x 4	Pressure Drop in inches w.c. (Pa)	1.9 (475)	2.1 (525)	2.4 (600)	2.7 (675)	3.1 (775)	3.6 (900)	4.5 (1125)	5.4 (1350)	6.6 (1650)	7.8 (1950)	9.9 (2475)	12.4 (3100)	100-1000 (3.0-28.3)

*U.L. recognized

**Pressure Drop figures derived from CSA Maximum Listed Capacities in far right column (not flow at column top).

M/MR Series Applications Table

Model	Max. Current Draw (amps)	Application	Function	CSA Tested* Inlet Pressure	Inlet Pressure Operating Limits	Upstream Pressure Regulator Required	Maximum Emergency Exposure	Output Control Means Standard Factory Setting (if applicable)
M411 M511 M611	0.4 0.5 0.6	Direct Fired (Negative Pressure) Burners	Increase in voltage corresponds to increase in outlet pressure	1/2 psi (3.4 kPa)	Upstream pressure regulator setting	Yes	2.5 psi (17 kPa)	Low Fire: adjustable orifice bypass High Fire: upstream pressure regulator setting less pressure drop NOTE: 7" w.c. (1.7 kPa) max outlet pressure
M420 M420H M520 M520H M620 M620H	0.4 0.7 0.5 0.85 0.6 1.0	Atmospheric Burners H Models for higher outlet pressures (such as LP applications)	Increase in voltage corresponds to increase in outlet pressure	1/2 psi (3.4 kPa)	Upstream pressure regulator setting	Yes	2.5 psi (17 kPa)	Low Fire: adjustable orifice bypass High Fire: upstream pressure regulator setting less pressure drop NOTE: 7" w.c. (1.7 kPa) max outlet pressure NOTE: H models: 11" w.c. (2.7 kPa) max outlet pressure
M451 M551 M651	0.4 0.5 0.6	Atmospheric Burners - where higher outlet pressures are needed	Increase in voltage corresponds to increase in outlet pressure	1/2 psi (3.4 kPa)	Upstream pressure regulator setting	Yes	2.5 psi (17 kPa)	Low Fire: spring adjustment Std. Model: 1.2" - 2.5" w.c. (0.30-0.62 kPa) "-1" models: 2" - 4.5" w.c. (0.50-1.1 kPa) High Fire: upstream pressure regulator setting less pressure drop
MR251D MR251E MR251G	0.4	Atmospheric Burners - where higher outlet pressures are needed	Increase in voltage corresponds to increase in outlet pressure	--	5 psi (34 kPa)	--	12.5 psi (86 kPa)	Low Fire: spring adjustment 2" - 4.5" w.c. (0.50-1.1 kPa) High Fire: maximum 7" w.c. (1.7 kPa) above minimum setting
MR212D MR212E MR212G MR212J	0.4	Direct Fired (Negative Pressure) Burners	Increase in voltage corresponds to increase in outlet pressure	5 psi** (34 kPa)	5 psi (34 kPa)	--	12.5 psi (86 kPa)	Low fire: adjustable orifice bypass High fire: spring adjustment High Fire Setting: Std. model: 2 - 5" w.c. (0.50-1.25 kPa) "-2" model: 2" - 5" w.c. (0.50-1.25 kPa) reduced to 0-3" w.c. (0-0.75 kPa)
MR410 MR410H-1 MR510 MR510H-1 MR610 MR610H-1	0.4 0.7 0.5 0.85 0.6 1.0	Atmospheric Burners H-1 models for higher outlet pressure (such as for LP applications)	Decrease in voltage corresponds to increase in outlet pressure	1/2 psi** (3.4 kPa)	1 psi (7 kPa)	--	2.5 psi (17 kPa)	Low fire: spring adjustment High fire: spring adjustment Std. model: 3" - 5" w.c. (0.75-1.25 kPa) max-4" w.c. (1.0 kPa) "-1" model: min-1.5" w.c. (0.38 kPa) max-4" w.c. (1.0 kPa) 'H-1' model: min outlet pressure = 1.75" w.c. (0.44 kPa) max outlet pressure = 11" w.c. (2.7 kPa) NOTE: 'H-1' models: 7.5" to 12" w.c. (1.87 to 3 kPa) max outlet pressure

* Where no ANSI standard currently exists, Maxitrol Controls have been CSA tested for use as a component of Maxitrol Selectra® systems.

**CSA Rated Inlet Pressures are established by ANSI Z21.18, CSA 6.3, and CSA 6.5 standards where applicable.

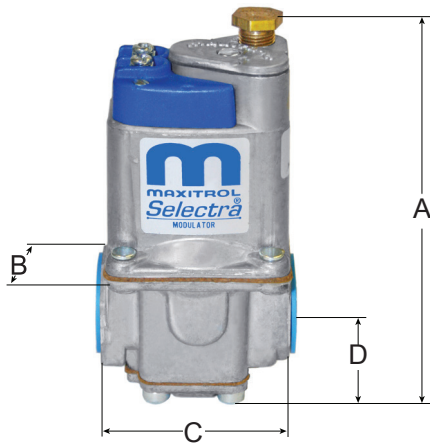
M/MR SERIES

Modulating Valves

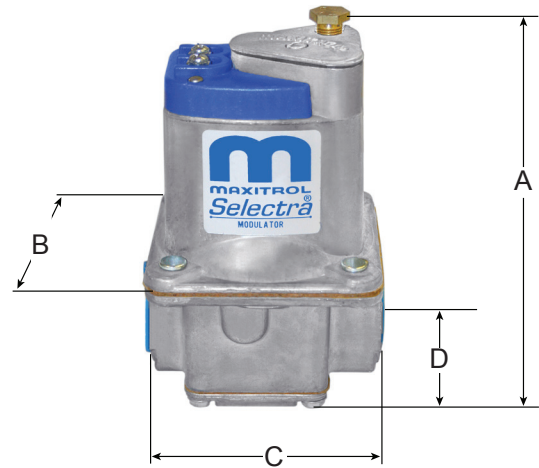
Dimensions

Model	Swing Radius	Dimensions - Expressed in Inches (mm)			
		A	B	C	D
MR410, MR410H-1, M411, M420, M420H, M451	3.1 (79)	3.9 (100)	2 (51)	2.5 (54)	0.9 (24)
MR510, MR510H-1, M511, M520, M520H, M551	4.3 (109)	5.3 (135)	3.25 (83)	3.4 (86)	1.2 (30)
MR610, MR610H-1, M620, M620H, M651	5.7 (145)	7.1 (180)	3.9 (99)	4 (102)	1.5 (37)
M611	6.2 (158)	7.7 (196)	3.9 (99)	4 (102)	1.5 (37)

NOTE: Dimensions are maximums and to be used only as an aid in designing clearance for the valve. Actual production dimensions may vary somewhat from those shown.



MR410, MR410H-1, M411,
M420, M420H, M451



MR510, MR510H-1, M511,
M520, M520H, M551

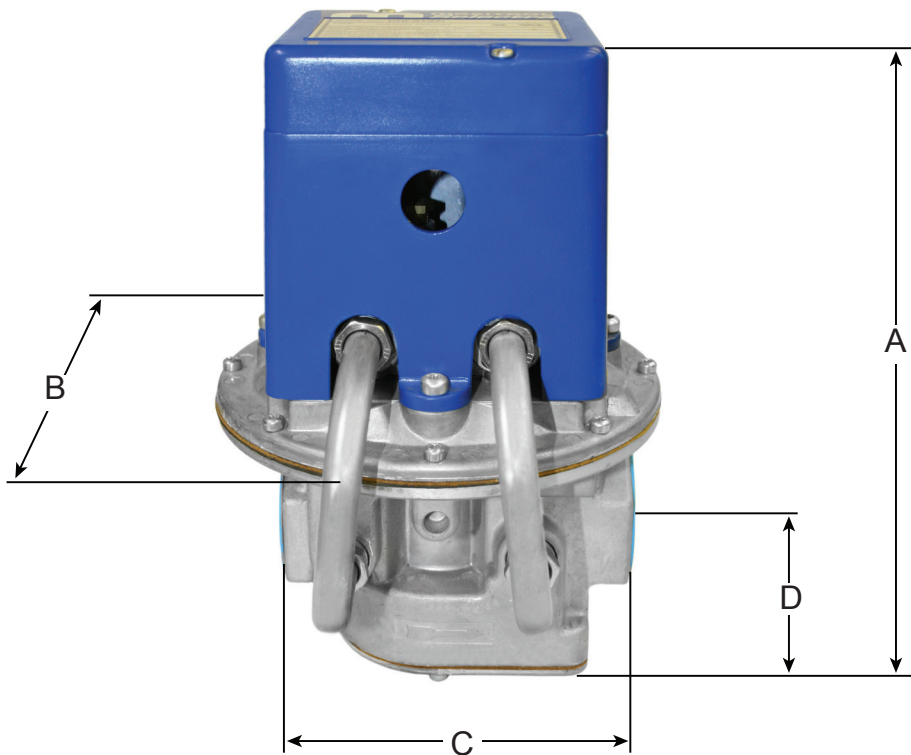


MR610, MR610H-1, M611,
M620, M620H, M651

Dimensions

Model	Swing Radius	Dimensions - Expressed in Inches (mm)			
		A	B	C	D
MR212D, MR251D	8.1 (206)	10.2 (259)	7 (178)	5.5 (140)	2.3 (59)
MR212E, MR251E	8.6 (218)	11.25 (286)	9.1 (232)	8 (203)	3 (76)
MR212G, MR251G	10.4 (264)	14.75 (375)	13.5 (343)	11.75 (298)	4.6 (118)
MR212J	--	24 (610)	21.5 (546)	13.9 (352)	5.9 (149)

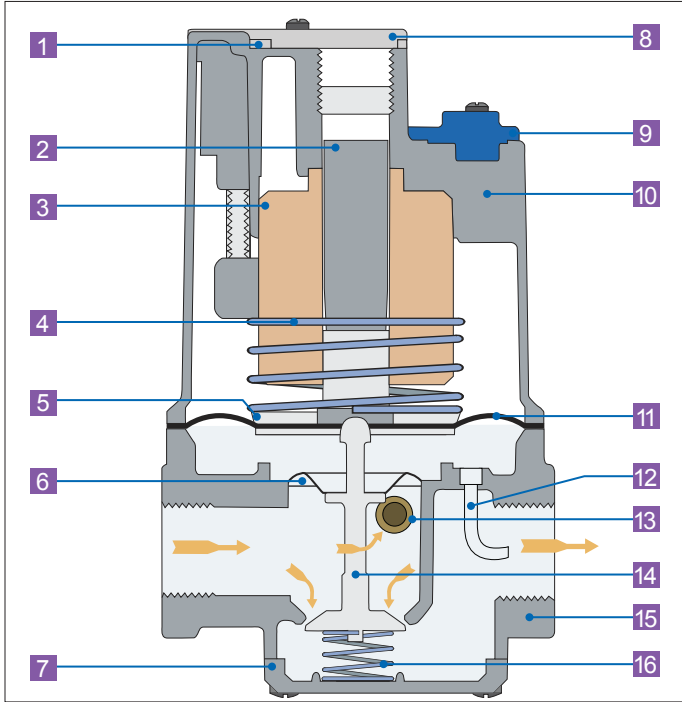
NOTE: Dimensions are maximums and to be used only as an aid in designing clearance for the valve. Actual production dimensions may vary somewhat from those shown.



M/MR SERIES

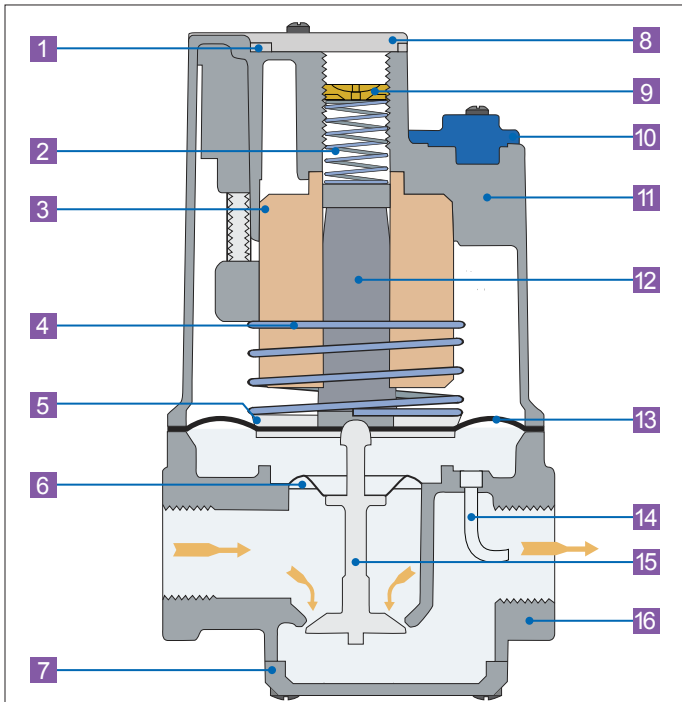
Modulating Valves

M Series



- | | | | |
|----|---------------------|----|----------------|
| 1 | Seal Cap Gasket | 11 | Diaphragm |
| 2 | Plunger | 12 | Sensing Tube |
| 3 | Solenoid | 13 | Bypass |
| 4 | Spring | 14 | Stem and Valve |
| 5 | Diaphragm Plates | 15 | Bottom Housing |
| 6 | Balancing Diaphragm | 16 | Counter Spring |
| 7 | Bottom Plate | | |
| 8 | Seal Cap | | |
| 9 | Wire Terminal | | |
| 10 | Top Housing | | |

MR Series

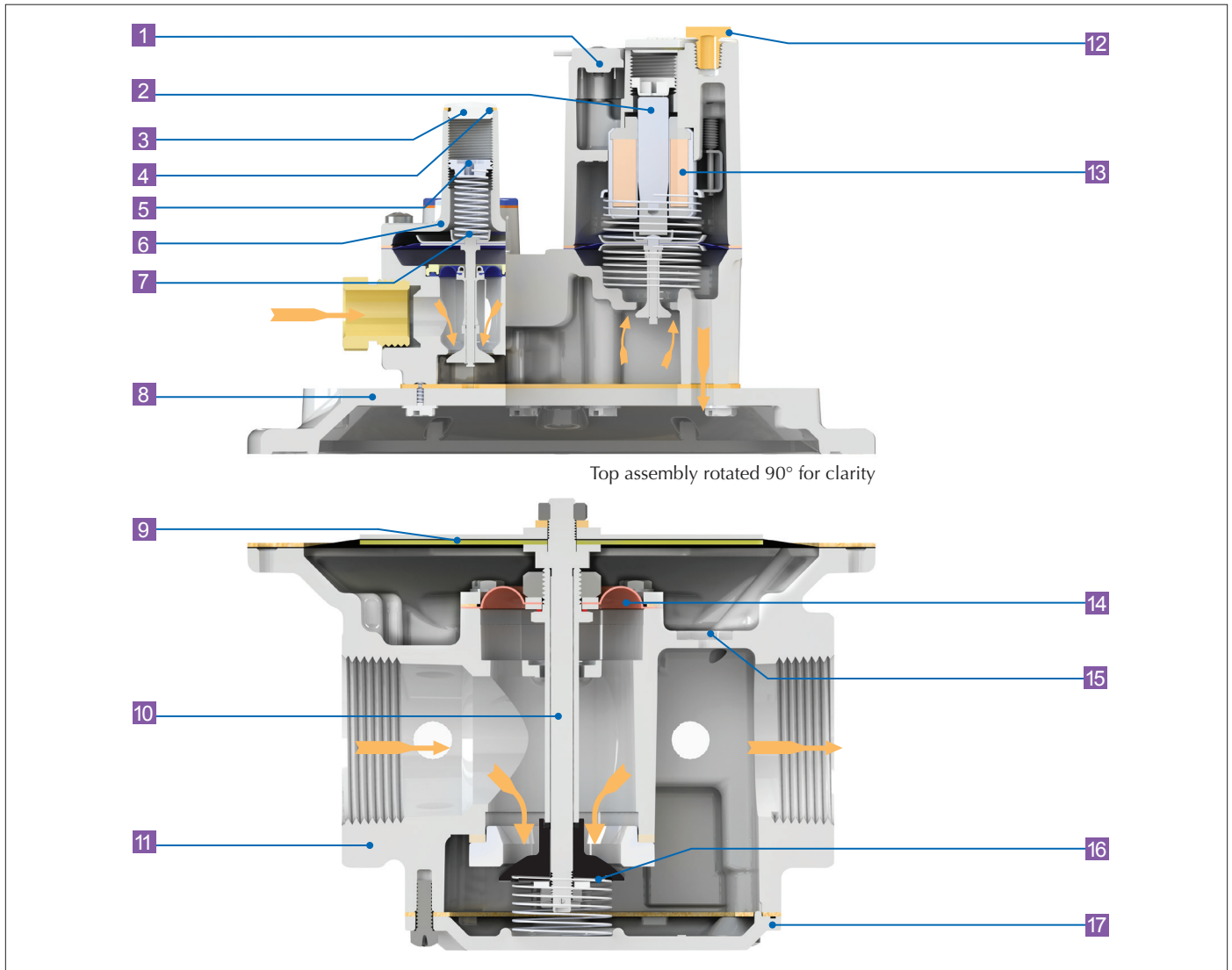


- | | | | |
|----|---------------------|----|----------------|
| 1 | Seal Cap Gasket | 11 | Top Housing |
| 2 | Plunger | 12 | Plunger |
| 3 | Solenoid | 13 | Diaphragm |
| 4 | Spring | 14 | Sensing Tube |
| 5 | Diaphragm Plates | 15 | Stem and Valve |
| 6 | Balancing Diaphragm | 16 | Bottom Housing |
| 7 | Bottom Plate | | |
| 8 | Seal Cap | | |
| 9 | Adjusting Screw | | |
| 10 | Wire Terminal | | |

NOTE: Diagrams are graphical representations only and may differ from actual product.

NOTE: Maxitrol offers application specific control systems for M/MR Series valves. Consult Maxitrol or see MMR_MT_EN to determine which system suits your application.

MR212



NOTE: Diagrams are graphical representations only and may differ from actual product.

<ul style="list-style-type: none"> 1 Wire Terminal 2 Plunger 3 Seal Cap 4 Seal Cap Gasket 5 Adjusting Screw 6 Stack 7 High Fire Spring 	<ul style="list-style-type: none"> 8 Top Housing 9 Regulating Diaphragm 10 Main Stem and Valve 11 Bottom Housing 12 Vent Limiter 13 Solenoid 14 Balancing Diaphragm 	<ul style="list-style-type: none"> 15 Sensing Hole 16 Counter Spring 17 Bottom Plate
---	--	---

SPRING SELECTION CHART

Model	Part Number	Color Code	Outlet Pressure (In. w.c.)	Approx Inner Diameter	Approx Length
Adjustable Models:					
RV12L	R1210T-13	Brown	1.0 to 3.5	3/8"	9/16"
	R1210T-35*	Plated	2.8 to 5.2		3/4"
	R1210T-48	Orange	4.0 to 8.0		3/4"
	R1210T-610	Red	6.0 to 10		7/8"
RV20L	R2010T-13	Brown	1.0 to 3.5	7/16"	13/16"
	R2010T-35*	Plated	2.8 to 5.2		1 1/16"
	R2010T-48	Orange	4.0 to 8.0		15/16"
	R2010T-610	Red	6.0 to 10		1"
	R2010T-812	Blue	8.0 to 12		1 1/8"
	R2010T-912	Plated	9.0 to 12		1 9/16"
RV47AD RV47AL	R4710-4	Black	3.8 to 4.3	9/16"	1 3/4"
	R4710-5	Green	4.7 to 5.3		1 13/16"
	R4710-6	Red	5.6 to 6.4		1 13/16"
	R4710-10	Blue	9.7 to 11.3		1 11/16"
CV47 RV47D RV47L	R4710-13	Brown	1.0 to 3.5	9/16"	7/8"
	R4710-35*	Plated	2.8 to 5.2		1 1/4"
	R4710-48	Orange	4.0 to 8.0		1 5/16"
	R4710-412	Violet	4.0 to 12		1 1/16"
	R4710-610	Red	6.0 to 10		1 7/16"
	R4710-812	Blue	8.0 to 12		1 1/2"
CV48 RV48	R4810-13	Brown	1.0 to 3.5	9/16"	15/16"
	R4810-36*	Plated	3.0 to 6.0		1 3/16"
	R4810-48	Orange	4.0 to 8.0		1 1/8"
	R4810-512	Blue	5.0 to 12		1 3/16"
R4810-610	Red	6.0 to 10	1 1/2"		
CV48T RV48T	R4810T-36*	S Steel	3.0 to 6.0	9/16"	1 3/16"
	R4810T-48	Orange	4.0 to 8.0		1 1/8"
	R4810T-512	Blue	5.0 to 12		1 3/16"
	R4810T-610	Red	6.0 to 10		1 1/2"
R400 R400S	R400B10-13	Brown	1.0 to 3.5	3/8"	1 1/4"
	R400B10-25	Plated	2.0 to 5.0		1 9/16"
	R400B10-36*	Plated	3.0 to 6.0		2"
	R400B10-38	Pink	3.0 to 8.0		1 9/16"
	R400B10-412	Violet	4.0 to 12		1 1/2"
	R400B10-512	Blue	5.0 to 12		1 7/8"
R400B10-1022	Red	10 to 22	1 3/4"		
RV52 R500 R500S	R5210-13	Brown	1.0 to 3.5	9/16"	2"
	R5210-25	Plated	2.0 to 5.0		2 9/16"
	R5210-36*	Plated	3.0 to 6.0		2 7/8"
	R5210-38	Pink	3.0 to 8.0		2 9/16"
	R5210-48	Orange	4.0 to 8.0		3 1/8"
	R5210-412	Violet	4.0 to 12		2 1/2"
R5210-512	Blue	5.0 to 12	2 15/16"		
R500 R500S	R5210-1022	Red	10 to 22	9/16"	2 13/16"
RV53 R600 R600S	R5310-13	Brown	1.0 to 3.5	5/8"	2 5/8"
	R5310-25	Plated	2.0 to 5.0		2 15/16"
	R5310-36*	Plated	3.0 to 6.0		3 3/8"
	R5310-38	Pink	3.0 to 8.0		3 1/16"
	R5310-48	Orange	4.0 to 8.0		3 5/8"
	R5310-412	Violet	4.0 to 12		3 1/6"
	R5310-512	Blue	5.0 to 12		3 7/16"

* Standard Spring

Model #	Part Number	Color Code	Outlet Pressure (In. w.c.)	Approx Inner Diameter	Approx Length		
Adjustable Models:							
R600 R600S	R5310-1022	Red	10 to 22	5/8"	3 1/4"		
	R5310-1530	Yellow	15 to 30		3 1/2"		
RV61 R700	R6110-13	Brown	1.0 to 3.5	3/4"	2 5/8"		
	R6110-25	Plated	2.0 to 5.0		3 1/4"		
	R6110-36*	Plated	3.0 to 6.0		3 1/2"		
	R6110-38	Pink	3.0 to 8.0		3 1/8"		
	R6110-48	Orange	4.0 to 8.0		3 9/16"		
	R6110-512	Blue	5.0 to 12		3 9/16"		
	R6110-1022	Red	10 to 22		3 1/2"		
	RV81 210D	R8110-13	Brown		1.0 to 3.5	7/8"	3 1/8"
R8110-25		Plated	2.0 to 5.0	3 13/16"			
R8110-36*		Plated	3.0 to 6.0	4 5/16"			
R8110-38		Pink	3.0 to 8.0	3 7/8"			
R8110-48		Orange	4.0 to 8.0	4 1/2"			
R8110-412		Violet	4.0 to 12	3 3/4"			
R8110-512		Blue	5.0 to 12	4 1/16"			
R8110-1022		Red	10 to 22	3 3/4"			
210D	R8110-1530	Yellow	15 to 30	7/8"	4 1/2"		
	R8110-2042	Black	20 to 42		4 5/16"		
RV91 210E	R9110-13	Brown	1.0 to 3.5	1 1/8"	4"		
	R9110-25	Plated	2.0 to 5.0		4 15/16"		
	R9110-36*	Plated	3.0 to 6.0		5 3/4"		
	R9110-38	Pink	3.0 to 8.0		5 1/16"		
	R9110-48	Orange	4.0 to 8.0		5 15/16"		
	R9110-412	Violet	4.0 to 12		5 1/16"		
	R9110-512	Blue	5.0 to 12		5 1/2"		
	R9110-1022	Red	10 to 22		5 1/8"		
210E	R9110-1530	Yellow	15 to 30	1 7/8"	5 7/8"		
	R9110-2042	Black	20 to 42		5 3/4"		
RV111 210G	R11110-13	Brown	1.0 to 3.5	1 1/2"	6 1/8"		
	R11110-25	Plated	2.0 to 5.0		7 1/6"		
	R11110-36*	Plated	3.0 to 6.0		8 3/16"		
	R11110-38	Pink	3.0 to 8.0		7 3/8"		
	R11110-48	Orange	4.0 to 8.0		8 3/8"		
	R11110-412	Violet	4.0 to 12		7 3/8"		
	R11110-512	Blue	5.0 to 12		8 1/8"		
	R11110-1022	Red	10 to 22		8 1/8"		
210G	R11110-1530	Yellow	15 to 30	1 1/2"	8 7/16"		
	R11110-2042	Black	20 to 42		8 1/4"		
210J	R210J10-25	Plated	2.0 to 5.0	2 1/8"	9 1/6"		
	R210J10-36*	Plated	3.0 to 6.0		11 3/4"		
	R210J10-38	Pink	3.0 to 8.0		10 1/8"		
	R210J10-412	Violet	4.0 to 12		9 7/8"		
	R210J10-512	Blue	5.0 to 12		11 5/8"		
	R210J10-1022	Red	10 to 22		11 1/2"		
	R210J10-1530	Yellow	15 to 30		11 11/16"		
	R210J10-2042	Black	20 to 42		11 1/4"		
	220D, E,G,& J	R325C10-1022	Tagged		1 psi-3 psi	5/8"	2 1/8"
		R325C10-1530	Tagged		2 psi-5 psi		2 5/16"

SPRING SELECTION CHART

Model	Part Number	Min / Max	Color Code	Outlet Pressure (In. w.c.)	Approx Inner Diameter	Approx Length
Adjustable Models:						
SR400	SR400B10H MR410B10L	Max Min	S Steel Plated	3.0 to 5.0 0.3 to 1.2	5/16"	1 5/16"
	SR400B10H-1 MR410B10L	Max Min	White Plated	2.5 to 3.5 0.3 to 1.2		1" 7/8"
	SR400B10H MR410B10L-1	Max Min	S Steel Blue	4.0 to 6.0 1.0 to 2.8		1 5/16" 1 1/16"
	SR400B10H-1 MR410B10L-1	Max Min	White Blue	3.0 to 5.0 1.0 to 2.8		1" 1 1/16"
	SR400B10L-4	Min	Black	2.5 to 4.0		1 3/16"
SR400-2**	MR410B102-2	Max	Blue	7.5 to 12.0	5/16"	1 1/2"
SR500	SR500B10H MR510B10L	Max Min	S Steel Plated	3.0 to 5.0 0.3 to 1.2	7/16"	1 9/16" 1 1/16"
	SR500B10H-1 MR510B10L	Max Min	White Plated	1.5 to 3.5 0.3 to 1.2		1 1/16" 1 1/16"
	SR500B10H MR510B10L-1	Max Min	S Steel Plated	3.5 to 6.0 1.0 to 2.8		1 9/16" 1 1/4"
	SR500B10H-1 MR510B10L-1	Max Min	White Blue	2.0 to 4.5 1.0 to 2.8		1 1/16" 1 1/4"
SR500-2**	SR500B10H\L-2*	Max	Black	7.5 to 12.0	7/16"	2 1/4"
SR600	SR600B10H MR610B10L	Max Min	S Steel Plated	3.0 to 5.0 0.3 to 1.2	5/8"	2" 1 9/16"
	SR600B10H-1 MR610B10L	Max Min	White Plated	2.5 to 4.0 0.3 to 1.2		1 1/2" 1 9/16"
	SR600B10H MR610B10L-1	Max Min	S Steel Plated	4.0 to 6.0 1.0 to 2.8		2 1/8" 1 13/16"
	SR600B10H-1 MR610B10L-1	Max Min	White Blue	3.0 to 5.5 1.0 to 2.8		1 1/2" 1 13/16"

Model #	Part Number	Color Code	Outlet Pressure (In. w.c.)	Approx Inner Diameter	Approx Length						
Adjustable Models:											
325-3	R325C10-26 R325C10-59 R325C10-412* R325C10-711 R325C10-1022 R325C10-1530 R325C10-P12	Plated Plated Violet White Red Yellow Tagged	2.0 to 6.0 5.0 to 9.0 # 4.0 to 12 7.0 to 11 10 to 22 15 to 30 1 psi-2 psi	5/8"	1 3/4" 2 5/16" 1 3/4" 2 5/8" 2 1/8" 2 5/16" 2 5/16"						
	325-5	R325E10-26A R325E10-59A R325E10-412A* R325E10-711A R325E10-1022A R325E10-1530A R325E10-P12A	Plated Plated Violet White Red Yellow Tagged		2.0 to 6.0 5.0 to 9.0 # 4.0 to 12 7.0 to 11 10 to 22 15 to 30 1 psi-2 psi	3/4"	2 7/8" 4 3/16" 3 1/8" 4" 3 9/16" 3 5/8" 3 3/4"				
		325-7A	R8110-25 R8110-412* R8110-1022 R8110-1530 R8110-2042 R325G10-711		Plated Violet Red Yellow Black White		2.0 to 5.0 4.0 to 12 10 to 22 15 to 30 20 to 42 7.0 to 11	7/8"	3 13/16" 3 3/4" 4 5/16" 4 1/2" 4 5/16" 4 5/8"		
			325-9		R9110-25 R9110-412* R9110-1022 R9110-1530 R9110-2042 R325J10-711		Plated Violet Red Yellow Black White		2.0 to 5.0 4.0 to 12 10 to 22 15 to 30 20 to 42 7.0 to 11	1 1/8"	4 15/16" 5 1/16" 5 5/8" 5 7/8" 5 3/4" 6 1/2"
					325-11		R11110-25 R11110-412* R11110-1022 R11110-1530 R11110-2042 R325K10-711		Plated Violet Red Yellow Black White		2.0 to 5.0 4.0 to 12 10 to 22 15 to 30 20 to 42 7.0 to 11

Model #	Part Number	How Used	Color Code	Approx Inner Diameter	Approx Length
Zero Governor Models:					
R400Z	R400B10-13 R400B10Z	Regulate Counter	Brown Plated	3/8" 1/2"	1 1/4" 3/4"
R500Z	R5210-13 R500B10Z	Regulate Counter	Brown Plated	9/16" 7/16"	2"
R600Z	R5310-13 R600B10Z	Regulate Counter	Brown Plated	5/8"	2 5/8"
R700Z	R6110-25 R700B10Z	Regulate Counter	Plated Plated	3/4" 7/8"	3 1/4" 3 1/2"
210DZ	R8110-13 R210D10Z	Regulate Counter	Brown Plated	7/8" 1"	3 1/8" 3 3/8"
210EZ	R9110-13 R210E10Z	Regulate Counter	Brown Plated	1 1/8" 1 7/16"	4" 4 3/4"
210GZ	R11110-13 R210G10Z	Regulate Counter	Brown Plated	1 1/2" 2 1/16"	6 1/8" 6 3/4"
210JZ	R210J10-25 R210J10Z	Regulate Counter	Plated Plated	2 1/8" 2 7/8"	9 1/16" 9 1/4"

* Standard Spring

**L.P. - May be used with any minimum spring.

- or 6.0 to 10.0 for 5 psi

NOTE: Spring free length is given as an aid for the purpose of identification only. Variations of ± 1/2", although unlikely, can occur. This variation will not affect the spring range.

SIZING A REGULATOR

See www.maxitrol.com for our Regulator Sizing Program. Please contact Maxitrol directly for more information on sizing a regulator.

System Requirements

When sizing a regulator the following must be known:

- Gas Type
- Available Inlet Pressure
- Desired Outlet Pressure
- Zero Governor Application (indicated by model number ending in "Z")
- Will the regulator control main burner and pilot load OR main burner only?
- Required minimum and maximum flow rate in cfh or m³/h or Btu/h
- Pipe Size

In most cases, the manifold pipe size has already been selected on the basis of good engineering practice, and the regulator pipe size should conform to this size.

The capacity of any regulator is not an absolute value but will vary with the application depending on the prevailing differential pressure.

⚠ WARNING

Service and installation must be performed by a trained/experienced service technician.

All products used with combustible gas must be installed and used strictly in accordance with the instructions of the Original Equipment Manufacturer (OEM) and with all applicable government codes and regulations, e.g. plumbing, mechanical, and electrical codes and practices. These instructions do NOT supersede OEM's installation or operating instructions.

All Maxitrol products should be installed and operated in accordance with Maxitrol Safety Warning Instructions.

HOW TO CALCULATE PRESSURE DROP AT VARIOUS FLOW RATES FROM CAPACITY CHART

LP Applications - When using natural gas pressure drop chart to determine LP pressure drop in terms of Btu/h, multiply NAT Btu/h by 1.61; in terms of CFH multiply NAT CFH by 0.645.

$$\text{Formula: } P_2 = P_1 \times (Q_2/Q_1)^2$$

P2 = Pressure drop at desired flow rate
P1 = Known pressure drop

Q2 = Desired flow rate
Q1 = Known flow rate

A. Check Capacity Chart, ensuring regulator has ample range of regulation and individual load capacities (for use with pilot) for the application.

B. Know the minimum encountered inlet pressure. MINIMUM INLET PRESSURE MINUS "P2" MUST BE GREATER THAN DESIRED OUTLET PRESSURE. Solve for "P2" using the formula above. (See examples on page 59.)

Sizing Examples

RUBBER SEAT POPPETS

For main burner and pilot load applications.

Example: To select an RV type regulator:

- Known: Single 150,000 Btu/h main burner; pipe size 1/2"; inlet pressure 7" w.c.; outlet pressure 4" w.c.
- Solution: The RV48 (1/2") has a maximum capacity of 230,000 Btu/h and a maximum individual load of 160,000 Btu/h. The pressure drop at a flow rate of 150,000 Btu/h is 0.4" w.c., well below the available differential of 3" w.c. The RV48 (without "L" fixed orifice) is the correct regulator to use for the application.

STRAIGHT-THRU-FLOW (S-T-F)

For main burner only applications not requiring a lockup type regulator. When sizing the S-T-F series, it is recommended that pressure drop not exceed 1/2 of available differential pressure.

Example: To select an RV type regulator:

- Known: Flow rate 2,000,000 Btu/h; pipe size 1 1/4"; inlet pressure 9" w.c.; outlet pressure 5" w.c.
- Solution: The RV81(1 1/4") has a maximum capacity of 2,500,000 Btu/h. The pressure drop at a flow of 2,000,000 Btu/h is 0.66" w.c. The RV81 (1 1/4") is the correct regulator to use with this application. The pressure drop of the RV61 (1 1/4") at a flow rate of 2,000,000 Btu/h is 2.64" w.c. This is within the available differential but exceeds the recommended 50% maximum.

LEVER ACTING

For main burner and pilot load application requiring positive dead-end lockup (see Definitions page 63).

Example: To select a 325 series regulator:

- Known: Single 145,000 Btu/h burner; pipe size 1/2"; inlet pressure 2 psi; outlet pressure 7" w.c.
- Solution: The 325-3's pressure drop at a flow rate of 145,000 Btu/h is 7" w.c., well below the available differential of 1 3/4 psi. However, the Maximum Individual Load for the 325-3 is only 100,000 Btu/h. The 325-5 (1/2") is the correct regulator to use with this application.

BALANCED VALVE

For main burner and pilot load application requiring a lockup type regulator or zero governor usage (see Definitions page 63).

Example: To select a 210 or R/RS series regulator:

- Known: Desired flow rate 6,000,000 Btu/h; pipe size 1 1/2"; inlet pressure 1 psi; outlet pressure 9" w.c.
- Solution: The 210E (1 1/2") has a maximum capacity of 10,000,000 Btu/h. The 210D (1 1/2") has a capacity of 6,000,000 Btu/h. Therefore, the 210E (1 1/2") will give you the desired outlet pressure of 9" w.c. and is the correct regulator to use for the application.

ACCESSORIES

Vent Tube Connector

Threaded sleeve - two piece assembly where the nut is tightened inside male connector.

- **11A03:** connects 1/8" female pipe thread to 1/8" O.D. tubing.
- **11A04:** connects 1/8" female pipe thread to 1/4" O.D. tubing.

Threaded sleeve nut - for RV20V.

- **11A08:** 5/16-24 threaded sleeve nut for 1/8" O.D. tubing.

Compression fitting - where nut and sleeve are slipped over tubing and tightened into fitting body.

- **11A05-42:** connects 1/4" female pipe thread to 1/4" O.D. tubing.
- **11A05-61:** connects 1/8" female pipe thread to 1/8" O.D. tubing.
- **11A05-63:** connects 3/8" female pipe thread to 3/8" O.D. tubing.
- **11A05-64:** connects 1/2" female pipe thread to 3/8" O.D. tubing.

Vent Limiting Device: \checkmark Limiter®

Optional automatic vent limiting device - ball check permits unobstructed inhalation for fast regulator diaphragm response on opening cycle, but limits gas escapement to within ANSI standards should a diaphragm rupture.

NOTE: When using the vent limiting device, regulator must be mounted in an upright horizontal position. A Maxitrol vent limiting device should only be installed in the Maxitrol regulator that it is certified with.

- **12A04:** CSA certified for up to 1/2 psi (14" w.c.) inlet pressure. Use on RV48, RV52, RV53, RV61, R400(S), R500(S), R600(S) regulators. Color - brass. 1/8" NPT.
- **12A09:** CSA certified for 2 psi (LP) and 5 psi (natural) inlet pressure with 325-3 and 325-3L regulators; OPD48, OPD600. Color - green. 1/8" NPT.
- **12A34:** CSA certified for up to 1/2 psi (14" w.c.) inlet pressure with RV81. Color - brass. 3/8" NPT.
- **12A39:** CSA certified for 2 psi (LP) and 5 psi (natural) inlet pressure with 325-5 and 325-5L regulators; OPD210D. Color - brass. 3/8" NPT.
- **12A49:** CSA certified for 2 psi (LP) and 5 psi (natural) inlet pressure with 325-7A, 325-7AL, 325-9, and 325-9L regulators; OPD210E. Color - brass. 1/2" NPT.

Satisfies ANSI Standards for both Natural and LP gas.

NOTE: Vent limiters are not recommended for use in models RV91, RV111 and 210 Series.

Vent Limiting Orifice

- **12A06:** Orifice hole is on side of body, under head. Fixed orifice equally limits inhalation and escapement. Use on RV48, RV52, RV53, RV61, R400(S), R500(S), R600(S) regulators. Color- brown. 1/8" NPT.

Satisfies ANSI Standards for both Natural and LP gas.





Vent Protector: vProtector®

Designed for outdoor applications. Use on vent opening to protect breather hole from rain, snow, dust, insects and other foreign particles.

NOTE: Vent protector **MUST** be mounted in an upright position.

- **13A30:** for 1/8" NPT vent. For outdoor use in 325-3, 325-3L, 325-3BL, RV48, RV52, RV53, RV61, R500(S)(Z), R600(S)(Z), and R700(Z).
- **13A31:** for 3/8" NPT vent. For outdoor use in 325-5, 325-5L, RV81, 210D.
- **13A32:** for 1/2" NPT vent. For outdoor use in 325-7A, 325-7AL, 325-9, 325-9L, RV91, 210E.
- **13A33:** for 3/4" NPT vent. For outdoor use in 325-11, 210G, RV111.

NOTE: NOT a vent limiting device. Consult Maxitrol regarding other configurations.

Vent Dampener

- **KVOP-3:** Used on 325-5, 325-5L.
- **KVOP-4:** Used on 325-7A, 325-7AL, 325-9L

NOTE: Should not be used with vent limiter.

Vent Screen

Brass, 40 mesh screen flame arrestor for insertion in vent outlet. Prevents ignition of gas-air mixture which might be present in upper diaphragm chamber.

- **13A03-1:** for 1/8" NPT vent.
- **13A03-2:** for 1/4" NPT vent.
- **13A03-3:** for 3/8" NPT vent.
- **13A03-4:** for 1/2" NPT vent.
- **13A03-6:** for 3/4" NPT vent.

Pressure Tap Connector

- **PF10:** Pressure tap connector can be installed as part of the control. It is a hose fitting incorporating a captured sealing means for testing inlet and outlet pressures. This eliminates the need for a special barb fitting. Optional per work order.

Dust Cap

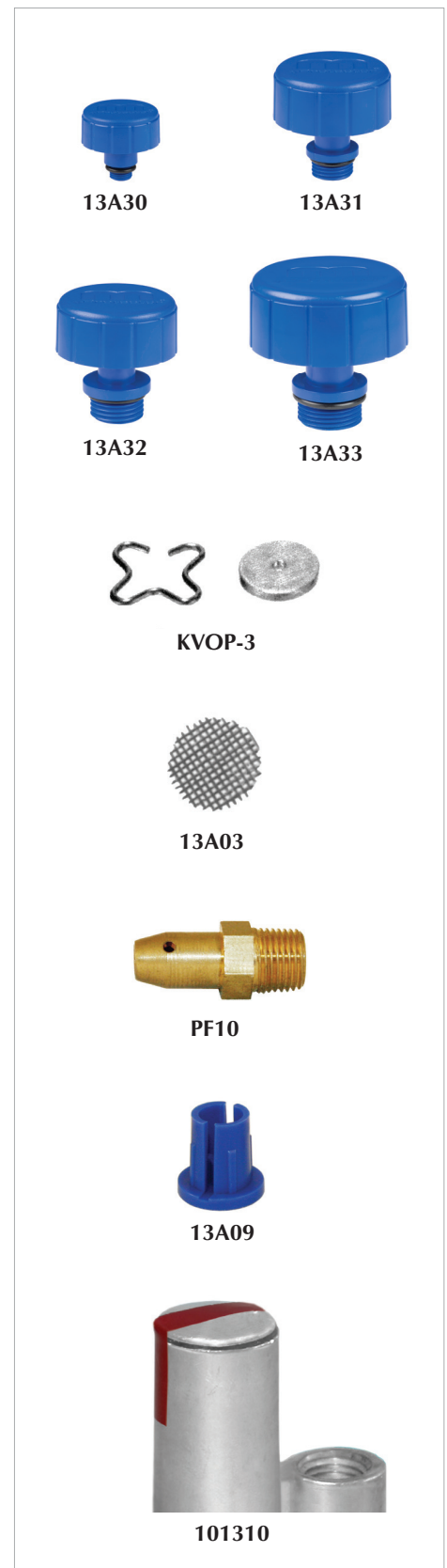
Use on vent opening to prevent blockage of breather hole from dust or other foreign particles. Standard on all "L" models with 1/8" threaded vent.

- **13A09:** for 1/8" NPT vent. Press-in plastic cap.

Tamper Proof Seals

Permanent pressure sensitive backed paper. Attempted removal of these seals will destroy the face stock, leaving adhesive residue on surface beneath. Therefore, tampering can be easily detected. Available for all threaded models. Outlet pressure printed on seal.

- **101310:** for RV12, RV20L, RV47, RV48, RV52, RV53, RV61, R400(S)(Z), RV500(S)(Z), R600(S)(Z), R700(Z), 325-3, and 325-5.
- **101311:** for RV81, RV91, RV111, 210D, 210E, 210G, 325-7A, 325-9, and 325-11.



CHOOSING A VENT ACCESSORY

NOTE: If vent limiting device is not used, regulator vent must be piped in accordance with government and local codes and regulations.

RV12L, RV20L	Integral vent limiting orifice with dust cap standard.
RV20VL	Integral vent limiting orifice with dust cap standard or use 11A08 threaded sleeve nut and run vent line as per code.
RV47	Must order: "L" suffix - Integral vent limiting orifice, includes dust cap; or "D" suffix - integral ball-check limiting device, includes dust cap.
RV48	1/8" NPT vent tap. Optional 12A04 or 12A06 vent limiter. Optional 13A09 dust cap. Optional 10A16-2 or 10A16-3 plastic thread protector.
RV48L	Integral vent limiting orifice.
RV52, RV53, RV61	1/8" NPT vent tap. Optional 12A04 or 12A06 vent limiter or 13A30 vent protector.
RV81	3/8" NPT vent tap. Optional 12A34 vent limiter or 13A31 vent protector.
RV91 (2 1/2" pipe size)	1/4" NPT vent tap. Optional 13A30 vent protector. <i>Vent limiter not approved for this model.</i>
RV91 (2" pipe size)	1/2" NPT vent tap. 2" pipe size. Optional 13A32 vent protector. <i>Vent limiter not approved for this model.</i>
RV111	3/4" NPT vent tap. <i>Vent limiter not approved for these models.</i> Optional 13A33 vent protector.
210D	3/8" NPT vent tap. Optional 13A31 vent protector. <i>Vent limiter not approved for this model.</i>
210E	1/2" NPT vent tap. Optional 13A32 vent protector. <i>Vent limiter not approved for this model.</i>
210G, 210J	3/4" NPT vent tap. <i>Vent limiter not approved for these models.</i> Optional 13A33 vent protector.
220D, 220E, 220G, 220J	Pilot regulator is equipped with 12A06 vent limiting orifice, separate vent line is not required.
325-3, 325-3L	1/8" NPT vent tap. Optional 12A09 vent limiting device or 13A30 vent protector.
325-5, 325-5L, R700	3/8" NPT vent tap. Optional 12A39 vent limiting device or 13A31 vent protector.
325-7A, 325-7AL	1/2" NPT vent tap. Optional 12A49 vent limiting device or 13A32 vent protector.
325-9, 325-9L	1/2" NPT vent tap. Optional 12A49 vent limiting device or 13A32 vent protector.
325-11, 325-11L	3/4" NPT vent tap. <i>Contact Maxitrol Customer Service for optional vent protector.</i> Optional 13A33 vent protector.
R400(S), R500(S), R600(S)	1/8" NPT vent tap. Optional 12A04 vent limiting device.
OPD47	Integral vent limiting orifice, includes dust cap.
OPD48, OPD600	1/8" NPT vent tap. Optional 12A09 vent limiting device or 13A30 vent protector.
OPD210D	3/8" NPT vent tap. Optional 12A39 vent limiting device or 13A31 vent protector.
OPD210G	3/4" NPT vent tap. <i>Contact Maxitrol Customer Service for optional vent protector.</i> Optional 13A33 vent protector.
OPD210E	1/2" NPT vent tap. Optional 12A49 vent limiting device or 13A32 vent protector.

NOTICE

Maxitrol vent limiting devices eliminate the need to run vent piping to the outside. Vent limiting devices are designed for use indoors and in spaces where limiting the amount of gas escapement due to diaphragm failure is critical. **Vent limiting devices should not be used outdoors if they are exposed to the environment.** When installed outdoors, the use of a certified Maxitrol Vent Protector is recommended.

Dead End Lockup

Pressure will be maintained within ANSI/CSA limits under no flow conditions. The amount of climb above set point is influenced by inlet pressure, flow rate before no flow condition and piping arrangement. Dead end lockup pressure regulators must be properly sized for desired performance.

Differential Pressure

The difference between inlet pressure to the pressure regulator and outlet pressure from the pressure regulator. To obtain differential pressure, subtract the desired outlet pressure from available inlet pressure.

Line Pressure Regulator

A pressure regulator intended for installation in a building gas distribution system between the building service regulator or LP-gas 2 psi service regulator and gas utilization equipment.

Lockup Type

Under no flow conditions, outlet pressure will rise above adjusted pressure but will not rise to line pressure.

Minimum Capacity (Main Burner Only)

Minimum capacity of a pressure regulator designed to control the flow to the main burner only.

Maximum Capacity (Main Burner Only)

Maximum capacity of a pressure regulator at which the pressure regulator will control main burner pressure within acceptable limits.

Maximum Capacity (Main Burner and Pilot)

Maximum capacity of a pressure regulator at which the pressure regulator will control main burner and pilot line pressure within acceptable limits.

Capacity

Total load Btu/h of all appliances combined.

Maximum Individual Load

Largest single appliance or burner served by the pressure regulator.

Maximum Individual Load Capacity

1. The maximum capacity or flow at which a line pressure regulator will control lockup pressure within acceptable limits.
2. The maximum capacity or flow at which a pressure regulator will control pilot line pressure within acceptable limits.

Non-Lockup Type

Under static conditions when no gas is flowing, outlet pressure will rise to line pressure.

Overpressure Protection Device (OPD)

A device which under abnormal conditions will act to reduce, restrict, or shut off the supply of gas flowing into a system to prevent pressure in that system from exceeding 2 psi.

- *Monitoring Regulator:* An overpressure protection device which functions as a second pressure regulator in series with the primary pressure regulator.
- *Overpressure Relief Device:* An overpressure protection device which functions by discharging gas from the downstream system to a safe location.
- *Overpressure Shut-Off Device:* An overpressure protection device which functions by completely shutting off the flow of gas into the downstream system.

Pressure Drop

The natural loss of pressure that occurs in the pressure regulator (or in any valve or pipe) due to friction. This friction impedes fluid motion, without regard to artificial losses deliberately created by diaphragm action. The equivalent flow rate for a loss in given pressure with the pressure regulator valve in a normally wide open position.

Rated Inlet Pressure

The highest inlet pressure for which the control is intended to be used.

Vent Limiter

A means that limits the flow of gas from the atmospheric chamber to the atmosphere in the event of a diaphragm rupture. This may be either a limiting orifice or a ball check vent limiting device.

- *Limiting Orifice Type:* A vent limiter where the flow through the limiter is the same in both directions

Zero Governors

They require an external impulse signal, such as top loading with pressure or generating vacuum in the downstream piping.

HF2000 SERIES

Gas and Air Filters

Gas and air filters protect downstream controls (regulators, automatic shut-off valves) from particulate contamination. Recommended for use upstream of fittings, regulators, and controls. Applications for the residential, commercial cooking, process heating, and industrial burner industries. The unique filter mat material will not allow particle infiltration over 0.05mm (50 microns).



GF60

Specifications

- Pipe Sizes** 1/2" to 2" threaded connections with NPT or ISO 7-1 threads.
- Housing Material** GF40, GF60, GF80: aluminum.
- Filter Mat Material** Polypropylene fleece
- Micron Rating** 0.05mm (50 microns)
- Mounting Position** Suitable for multi-positional mounting, preferably with lid facing down or to the side to facilitate removal of debris during maintenance.

NOTE: All Maxitrol gas filters should be installed and operated in accordance with Maxitrol Safety Warning Instructions (see GF_IO_EN_HF2000).
- Approvals** CE
- Construction and Design** Function according to DIN 3386, Gas Appliances Regulation 2016/426/EU and Pressure Equipment Directive 97/23/EEC.
- Gas Types** Suitable for natural, manufactured, mixed gases, liquefied petroleum gases, LP gas-air mixtures, sewer gas, and air.
- Pressure Tap** Optional: Pressure tap (PF10) connections inlet and/or outlet side.
- Maximum Inlet Pressure** 60 psi (400 kPa)
- Maximum Pressure Drop** 1 kPa (10 mbar) (from this value, the filter mat must be changed). For more information see pressure drop chart, page 68.
- Ambient Temperature Ranges** -4 to 175°F (-20 to 80°C)
- Storage and Transport Temp** -58 to 175°F (-50 to 80°C)
- Filter Replacement** GF40 Models: KIT-GF40
GF60 Models: KIT-GF60
GF80 Models: KIT-GF80

Gas Filter Service Kit

(Incl. Insert, Gasket, and Screws)

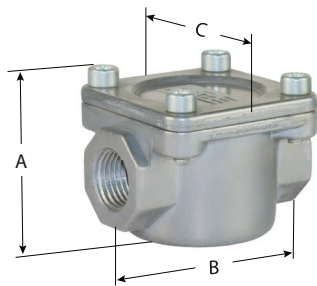
Model	Service Kit Number	Min. Order Quantity
GF40M-44...	KIT-GF40M	10
GF60M-66...	KIT-GF60M	
GF60M-88...		
GF80M-1010...	KIT-GF80M	
GF80M-1212...		
GF80M-1616...		



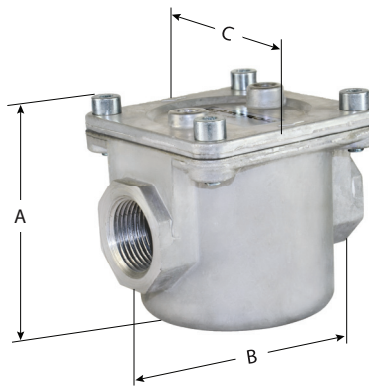
Dimensions

NPT Model	ISO 7-1 Model	Pipe Size	Pressure
GF40-44	GF40M-44	1/2"	100 kPa, 400 kPa
GF60-66	GF60M-66	3/4"	100 kPa, 400 kPa
GF60-88	GF60M-88	1"	100 kPa, 400 kPa
GF80-1010	GF80M-1010	1 1/4"	100 kPa, 400 kPa
GF80-1212	GF80M-1212	1 1/2"	100 kPa, 400 kPa
GF80-1616	GF80M-1616	2"	100 kPa, 400 kPa

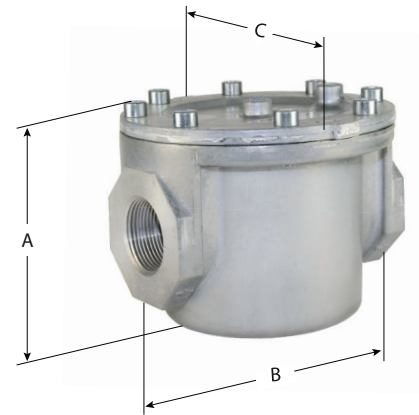
Outer Dimensions				
Model	Swing Radius	A	B	C
GF40	1.6" (41 mm)	2.1" (53 mm)	2.7" (69 mm)	2.3" (58 mm)
GF60	2.6" (66 mm)	3.7" (94 mm)	4.3" (109 mm)	3.7" (94 mm)
GF80	4" (102 mm)	6.2" (158 mm)	6.2" (163 mm)	6.4" (163 mm)



GF40



GF60

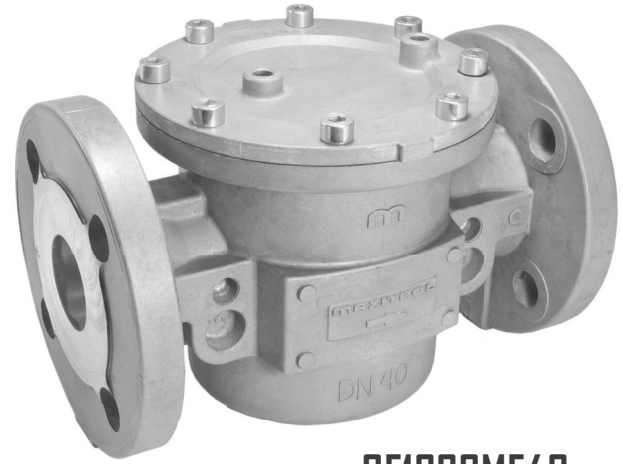


GF80

GF1000 SERIES

Gas and Air Filters

Gas and air filters protect downstream controls (regulators, automatic shut-off valves) from particulate contamination. Recommended for use upstream of fittings, regulators, and controls. Applications for the residential, commercial cooking, process heating, and industrial burner industries. The unique filter mat material will not allow particle infiltration over 0.05mm (50 microns).



GF1000MF40

Specifications

- Pipe Sizes** DN40, DN50, DN65.
(ASME/ANSI Class 125, 1 1/2" to 2 1/2" flanged. Contact Maxitrol Company for availability.)
- Housing Material** Aluminum.
- Filter Mat Material** Polypropylene fleece
- Micron Rating** 0.05mm (50 microns)
- Mounting Position** Suitable for multi-positional mounting, preferably with lid facing down or to the side to facilitate removal of debris during maintenance.
- NOTE:** All Maxitrol gas filters should be installed and operated in accordance with Maxitrol Safety Warning Instructions (see GF_IO_EN_GF1000).
- Approvals** CE
- Construction and Design** Function according to DIN 3386, Gas Appliances Regulation 2016/426/EU and Pressure Equipment Directive 97/23/EEC.
- Gas Types** Suitable for natural, manufactured, mixed gases, liquefied petroleum gases, LP gas-air mixtures, sewer gas, and air.
- Pressure Tap** Optional: Pressure tap (PF10) connections inlet and/or outlet side.
- Maximum Inlet Pressure** 87 psi (600 kPa)
- Maximum Pressure Drop** 1 kPa (10 mbar) (from this value, the filter mat must be changed). For more information see pressure drop chart, page 69.
- Ambient Temperature Ranges** -4 to 175°F (-20 to 80°C)
- Storage and Transport Temp** -58 to 175°F (-50 to 80°C)
- Filter Replacement Kit** KT-GF1000MF

Gas Filter Service Kit

(Incl. Insert, Gasket, and Screws)

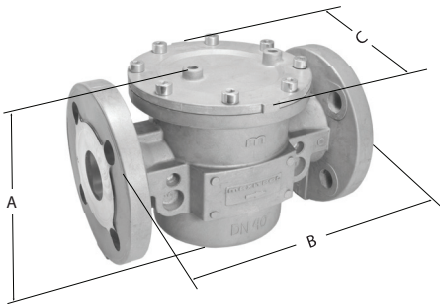
Model	Service Kit Number	Min. Order Quantity
GF1000MF40...	KIT-GF1000MF	Upon request
GF1000MF50...		
GF1000MF65...		



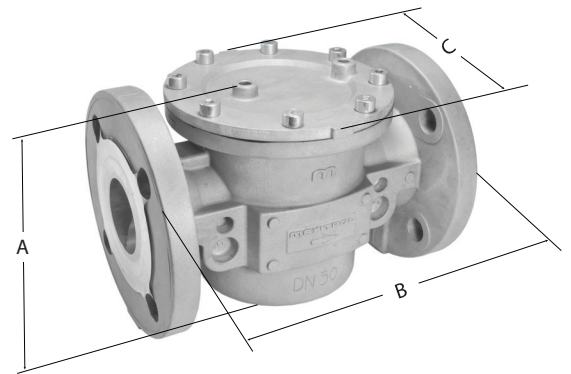
Dimensions

Model	Pipe Size	Pressure
GF1000MF40	DN40	100 kPa, 400 kPa, 600 kPa
GF1000MF50	DN50	100 kPa, 400 kPa, 600 kPa
GF1000MF65	DN65	100 kPa, 400 kPa, 600 kPa
GF1000F40	1 1/2"	100 kPa, 400 kPa, 600 kPa
GF1000F50	2"	100 kPa, 400 kPa, 600 kPa
GF1000F65	2 1/2"	100 kPa, 400 kPa, 600 kPa

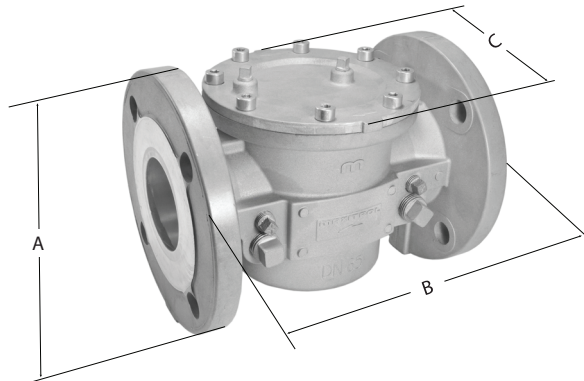
Outer Dimensions			
Model	A	B	C
GF1000MF40, GF1000F40	6.2" (157 mm)	9.2" (234 mm)	6.1" (155 mm)
GF1000MF50, GF1000F50	6.6" (168 mm)	9.2" (234 mm)	6.1" (155 mm)
GF1000MF65, GF1000F65	7.4" (188 mm)	9.2" (234 mm)	6.1" (155 mm)



GF1000MF40



GF1000MF50

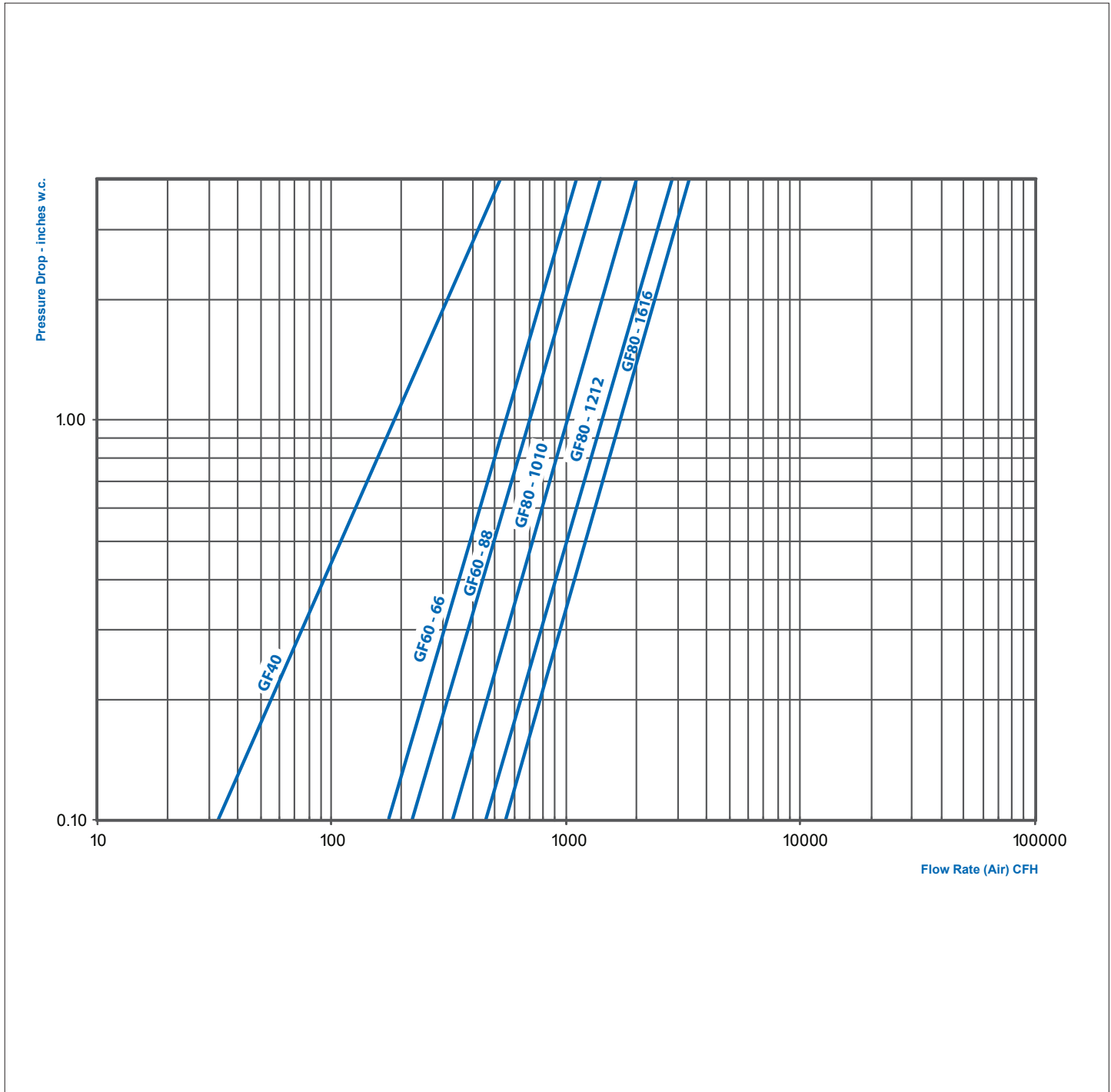


GF1000MF65

HF2000 SERIES

Gas and Air Filters

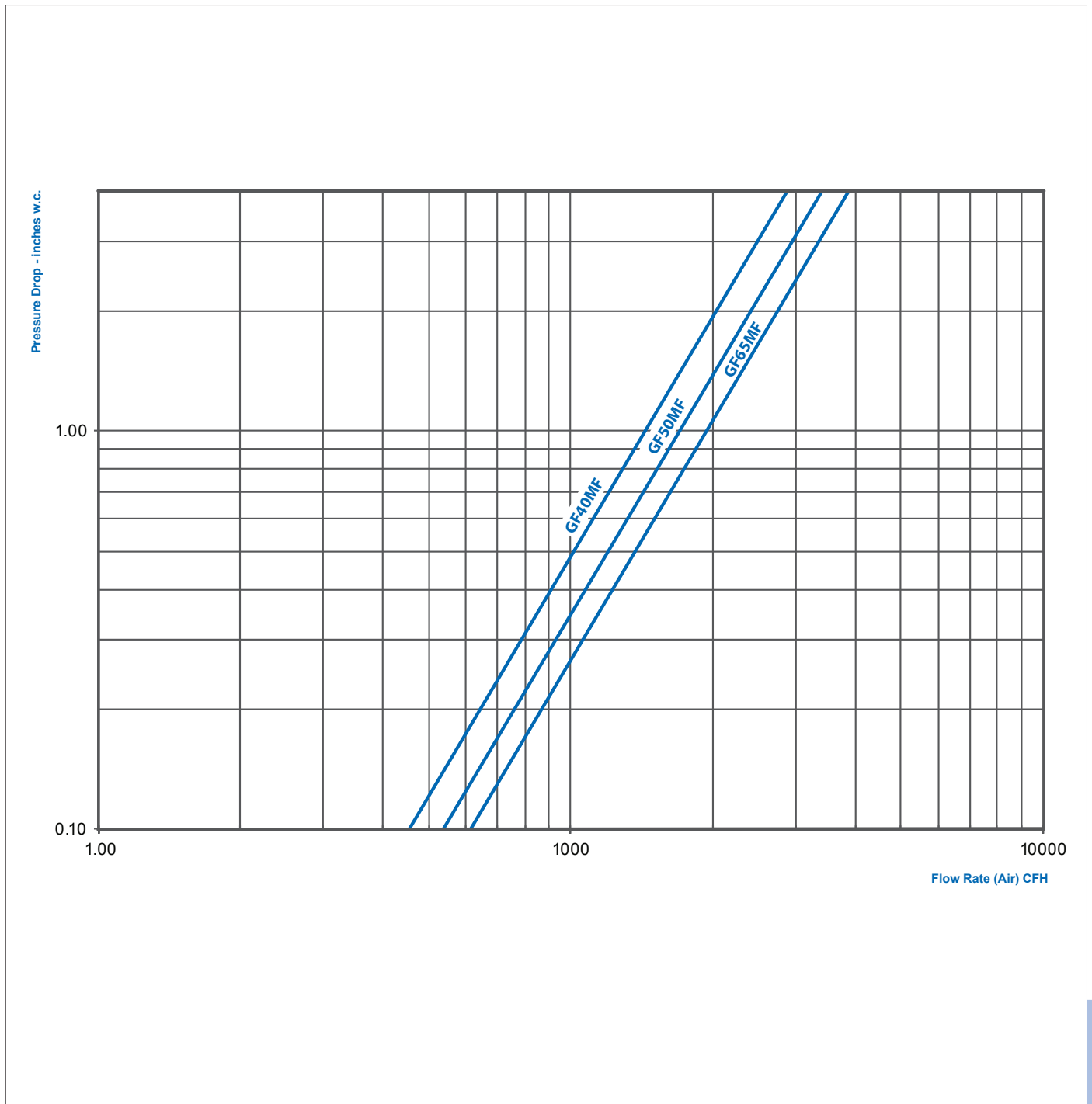
Pressure Drop Chart



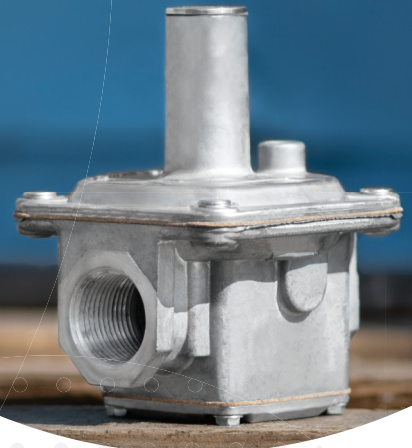
GF1000 SERIES

Gas and Air Filters

Pressure Drop Chart



MAXITROL®



SOCIAL MEDIA >
LET'S CONNECT

Follow us for updates, interesting articles,
company news and product information.



Maxitrol Company

23555 Telegraph Road
Southfield, MI 48033
USA

T: (+1) 248 356-1400
infoNA@maxitrol.com

Maxitrol GmbH & Co. KG

Valleys Innovation Centre
Navigation Park
Abercynon CF45 4SN
United Kingdom

T: (+44) 1443 742-755
M: (+44) 7866 492-261
infoEU@maxitrol.com

Maxitrol GmbH & Co. KG

Warnstedter Str. 3
06502 Thale
Germany

T: (+49) 3947 400-0
infoEU@maxitrol.com

Maxitrol GmbH & Co. KG

Industriestr. 1
48308 Senden
Germany

T: (+49) 2597 9632-0
senden@maxitrol.com

