

TS Series

TS-CE... Combustion Enclosures with LMV3...



Description

TS-CE... series combustion enclosure with Siemens LMV3 linkageless controller sets the new standard for combustion control and monitoring technologies. The preprogrammed touchscreen and optional PLC annunciation packages provide monitoring and control for any burner/boiler installation with excellent control capability, configuration flexibility, and simple connectivity to an SCC Master Lead/Lag panel. The TS-CE... combustion enclosure provides easy installation.

The TS-CE... combustion control panels with LMVs provide a common centralized center to monitor and retrieve information, resulting in efficient operation of the burner.

All burner flame safeguard and combustion safety control is performed by the advanced Siemens linkageless controller.

Touchscreen options include Modbus TCP/IP communication to a separate master lead/lag panel, or to a third party BMS as standard with touchscreens. Optional capability to communicate with building management systems is available via Modbus RTU, RS232 or RS485 connections, Johnson Metasys N2, BACnet MSTP or BACnet IP, Ethernet/IP, LonWorks, Profinet, and Profibus.

Features

TS-CE... combustion enclosure with LMV3 is UL 508 listed and includes the following:

- 6", 10", 12" or 15" touchscreen option
- LMV36 or LMV37 Siemens linkageless control and flame safeguard
- Backlit AZL23 display
- Control of up to two (2) SQM33 actuators for single fuel applications
- Control of up to three (3) SQM33 actuators for dual fuel applications
- Programmable logic controller (PLC)
- Steam or hot water boiler control
- Flame supervision and flame strength monitoring
- UV scanner
- Single or dual fuel
- Oil pump control
- Blower motor control
- Atomizing compressor control
- Lead/lag ready with SCC TS... master lead/lag panel
- VSD control
- Blower motor sensor for motor RPM monitoring
- Low fire hold based on temperature
- Shell water temperature monitoring
- External and proven interlocks
- Actuator position display
- LMV3 fault history
- Burner operating phase display
- Local touchscreen interface with Siemens LMV.../RWF controllers
- Configurable boiler graphics and field tag information
- LMV... static, fuel, and error history displayed
- Fuel-Air ratio control curve displayed on touchscreen
- Alarm history for most recent 250 faults/alarms
- Detailed annunciation of LMV... digital inputs and outputs
- Remote setpoint, firing rate, and/or enable of the LMV... or RWF... via BMS
- Water level control option and status via RWF55, or PLC
- One or three element feedwater control
- Circulating pump VFD control hot water boilers
- Metric or Standard units displayed
- Clear English or Spanish text for alarms

- Circulating pump/isolation valve control outputs for hydronic boilers (option with expanded annunciator)
- Expanded annunciator options include:
 - Four analog inputs with field configurable label, span and type (0-10V, 2-10V, 0-20mA or 4-20mA), low and high alarm setpoints, with auto or manual reset. Totalization available per minute or per hour.
 - Two analog outputs with field configurable span and type (0-10V, 2-10V, 0-20mA or 4-20mA); low and high alarm setpoints, with auto or manual reset. Totalization available per minute or per hour.
 - Two dedicated analog outputs for circulating pump VFD control, and water level control, with field configurable span (4-20mA); low and high alarm setpoints, with auto or manual reset.
 - Twelve universal inputs to be field configured for either 1000 or 100 ohm RTDs, or thermocouples type K, or J temperature inputs, analog inputs 4-20mA, with field configurable label, low and high alarm setpoints, with auto or manual reset.
 - Two digital outputs with field configurable logic, including on and off delays. Manual or automatic reset.
 - First-out annunciation option, including fourteen 120 VAC inputs with field labeling capability
 - Eight selectable data logging variables stored in CSV format on USB drive.
 - Four selectable variables for trending up to 7 days.
 - Economizer temperature monitoring.
 - Draft control with SQM5 actuator.
 - Connection for two additional RWF55 controllers.
- Screen saver with PV, setpoint, demand, and status
- Standard Modbus TCP/IP to BMS communications
- Additional BMS communication options available
- Email communications and text messaging for up to six (6) recipients include alarms, faults, and screen shots (screen shot viewer via USB)
- Remote monitoring via smartphone or tablet
- Compatible with SCC Master Panel Lead/Lag system

Application

TS-CE...combustion enclosure panel with LMV3 systems are suited for hot water and steam boilers, with up to 88.5 in/lbs of actuator torque, for single or dual fuel applications.

Standard Components

- LMV3 linkageless parallel positioning flame safeguard
- Power fail relay
- System alarm
- Circuit breaker, 3 Amp, single pole
- Circuit breaker, 10 Amp, single pole
- Non-fused disconnect switch
- Burner ON/OFF switch
- Three position fuel selector switch
- Safety limits powered, white indicator light
- Safety limits complete, green indicator light
- Pilot burner ON, yellow indicator light
- Gas valve open, blue indicator light
- Oil valve open, yellow indicator light
- Power fail, red illuminated indicator light with reset push button
- Low water, red illuminated indicator light with reset push button
- LMV error, red illuminated indicator light with reset push button
- Alarm reset push button
- Alarm horn
- Gray terminals, general
- White terminals, 120 VAC neutral
- Black terminals, 120 VAC hot
- Red terminals, 24 VDC +
- Blue terminals, 24 VDC -
- Orange terminals, 24 VAC
- Yellow terminals, dry contact powered from second source
- Green, non-grounding, shield terminals
- Green/Yellow PE terminals

Optional Components

- 6", 10", 12" or 15" touchscreen
- Programmable Logic Controller with additional annunciation inputs
- Second CANbus power transformer fuse protection with fuses and fuse holder
- LWCO manual and auto reset Warrick relays for probe type level control
- Draft control with Siemens SQM5 actuator with type "A" control board only
- Analog inputs/outputs for water Level one or three element PLC feedwater control
- Analog inputs/outputs for circulating pumps steam or hot water PLC VFD control
- Fan air cooling
- Additional RWF... external load or water level controller
- BMS communication options other than Modbus TCP/IP
- Three phase option includes:
 - Main three phase fused disconnect 30Amps/60Amps/100Amps
 - VSD three phase fuses and fuse holders
 - Blower motor starter for up to 20hp with overload and built in disconnect
 - Oil motor starter for up to 10hp with overload and built in disconnect
 - Compressor motor starter for up to 20hp with overload and built in disconnect
 - 1000 VA circuit control transformer
 - Fan air cooling
- Deaerator/Surge control panels, (See TS-3000)
- Master Lead/Lag control panels, (See TS-2000)

Product Part Numbers

	TS	CE	6	3	0	X	X	4	S	1	3	X	X	X	X
Touchscreen															
Combustion Enclosure															
LMV Model															
6 = LMV36.520A1 (Single Fuel, Gas)															
7 = LMV37.420A1 (Single Fuel, Gas)															
D = LMV36.520A1 with AGM60 (Dual Fuel, Gas/Oil)															
Load Controller (LC) or Water Level (WL)															
1 = RWF50.30A9 load controller (LC)															
3 = RWF55.50A9 load controller (LC)															
6 = Two (2) RWF55.50A9 LC/WL Controllers and SKB/C/D Transformer															
Touch Screen															
X = No Touchscreen															
6 = 6" Schneider Touchscreen															
0 = 10" Schneider Touchscreen															
2 = 12" Schneider Touchscreen															
5 = 15" Schneider Touchscreen															
Draft Control															
X = No Draft Control															
D = Draft control															
PLC Feedwater/Water Level or Circulating Pump VFD control															
X = No feedwater or circulating pump VFD control															
3 = PLC three element feedwater and level control (Steam boilers)															
4 = PLC single element feedwater and level control															
5 = PLC circulation pump VFD control (Hot water boilers)															
Annunciation and Monitoring (Touchscreen Required)															
X = No annunciation inputs															
A = Standard annunciation, (14) 120 VAC inputs															
B = (14) 120 VAC inputs, (4) analog inputs, and (2) analog outputs															
C = (14) 120 VAC inputs and (4) universal inputs* (AI, RTD, or TC)															
D = (14) 120 VAC inputs and (8) universal inputs* (AI, RTD, or TC)															
E = (14) 120 VAC inputs and (12) universal inputs* (AI, RTD, or TC)															
F = (14) 120 VAC inputs, (4) analog inputs, (4) universal inputs* (AI, RTD, or TC), and (2) analog outputs															
G = (14) 120 VAC inputs, (4) analog inputs, (8) universal inputs* (AI, RTD, or TC), and (2) analog outputs															
H = (14) 120 VAC inputs, (4) analog inputs, (12) universal inputs* (AI, RTD, or TC), and (2) analog outputs															
Z = Room available for annunciation to be added in future															
BMS Communication															
X = No BMS Communication															
R = Modbus RTU485 BMS communication (standard option if TS not included)															
S = Modbus TCP/IP BMS communication (standard option if TS included)															
B = BACnet /IP, or Ethernet IP BMS communication															
L = LonWorks BMS communication															
M = N2 Metasys, BACnet MS/TP, or BACnet RTU BMS communication															
N = PROFINET BMS communication															
P = PROFIBUS BMS communication															
Enclosure															
1 = NEMA 1															
2 = NEMA 12, includes cover over touchscreen and AZL/RWF (if applicable)															
4 = NEMA 4X (indoor), includes cover over AZL/RWF (if applicable)															
A = NEMA 1 with cooling fan															
B = NEMA 12 with cooling fan, includes cover over touchscreen and AZL/RWF and fan (if applicable)															
C = NEMA 4X with cooling fan, includes cover over touchscreen and AZL/RWF and fan (if applicable)															
Warrick Relays															
X = None															
1 = One manual reset Warrick relay mounted in enclosure															
2 = One auto reset Warrick relay mounted in enclosure															
3 = One auto and one manual reset Warrick relay mounted in enclosure															
A = One manual reset Warrick relay shipped loose															
B = One auto reset Warrick relay shipped loose															
C = One manual and one auto reset Warrick relay shipped loose															
Voltage 3 Phase															
X = 110-120 VAC, Internal 3 Phase not included															
4 = 440 - 480 VAC															
Blower Motor Horse Power Starter or VSD Control (480VAC)															
X = Internal 3 phase not included															
C = Blower motor starter for 3 HP															
E = Blower motor starter for 5 HP															
G = Blower motor starter for 7.5 HP															
J = Blower motor starter for 10 HP															
O = Blower motor starter for 15 HP															
T = Blower motor starter for 20 HP															
2 = Connections for blower motor VSD 3 HP															
3 = Connections for blower motor VSD 5 HP															
4 = Connections for blower motor VSD 7.5 HP															
5 = Connections for blower motor VSD 10 HP															
6 = Connections for blower motor VSD 15 HP															
7 = Connections for blower motor VSD 20 HP															
Oil Pump Starter HP (480VAC)															
X = Internal 3 phase not included															
A = Oil pump motor starter for 1 HP															
B = Oil pump motor starter for 1.5 HP															
C = Oil pump motor starter for 2 HP															
D = Oil pump motor starter for 3 HP															
E = Oil pump motor starter for 5 HP															
G = Oil pump motor starter for 7.5 HP															
J = Oil pump motor starter for 10 HP															
Air Compressor Pump Starter HP (480VAC)															
X = Internal 3 phase not included															
C = Compressor motor starter for 3 HP															
E = Compressor motor starter for 5 HP															
G = Compressor motor starter for 7.5 HP															
J = Compressor motor starter for 10 HP															
O = Compressor motor starter for 15 HP															
T = Compressor motor starter for 20 HP															

***Universal inputs:**

There are four universal inputs per input module. Each module must be configured for the same input, either 4-20 mA, Thermocouple type K or J, or RTD 1000 or 100 ohms. If the maximum of three universal modules are included, the first and second modules may each be configured for a different input type and the third module will automatically be the same as the second universal module.

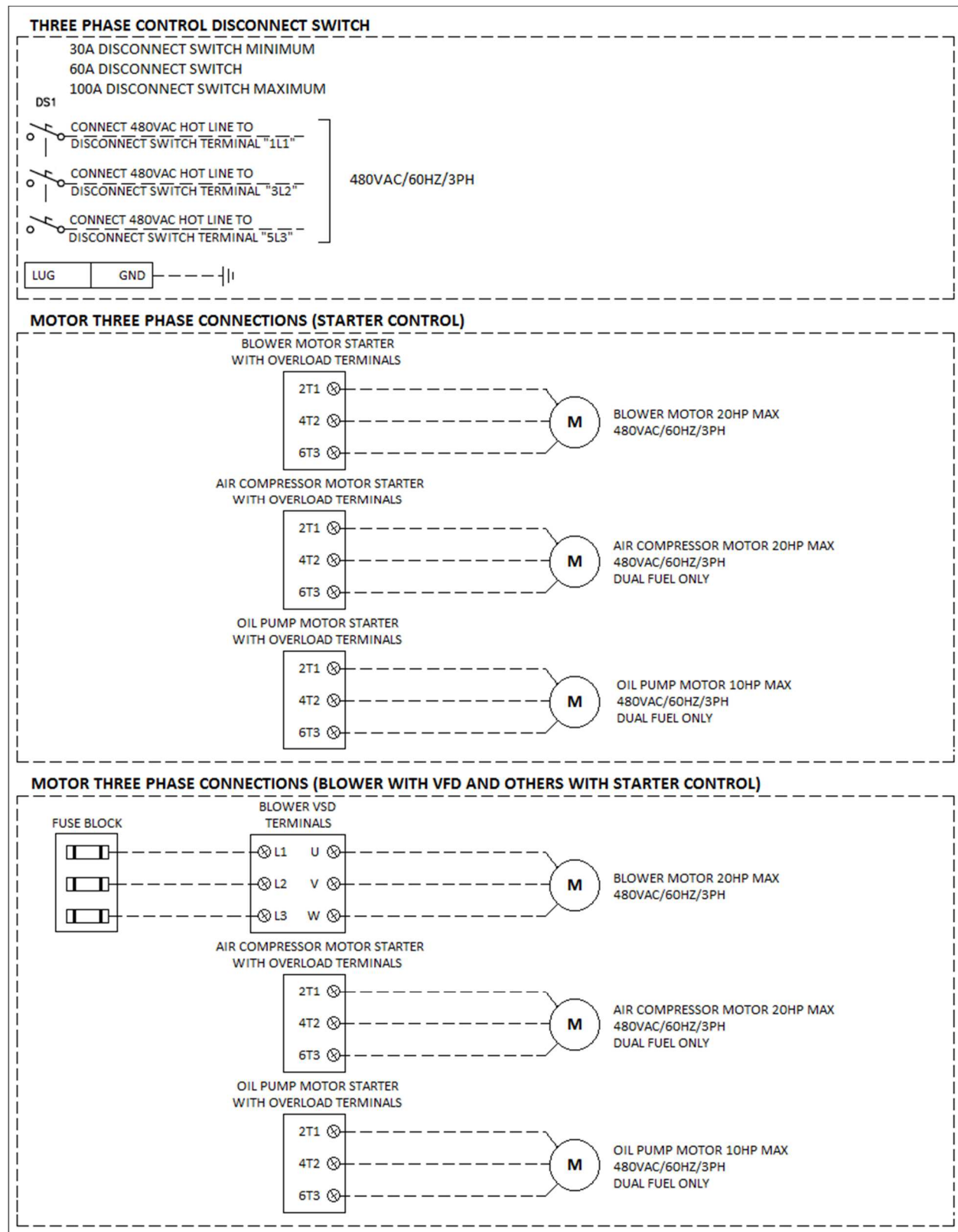
Specifications without 3 Phase Power

		With Touchscreen	W/out Touchscreen
Electrical characteristics	Main power	120 VAC	120 VAC
	Component power	24 VDC/VAC	120 VAC
	Power consumption	≤ 960 VA	≤ 740 VA
Operating environment	Operating temperature	32 to 122 °F [0 to 50 °C]	-4 to 140 °F [-20 to 60 °C]
	Humidity	Max. 85% with no condensation	Max. 85% with no condensation

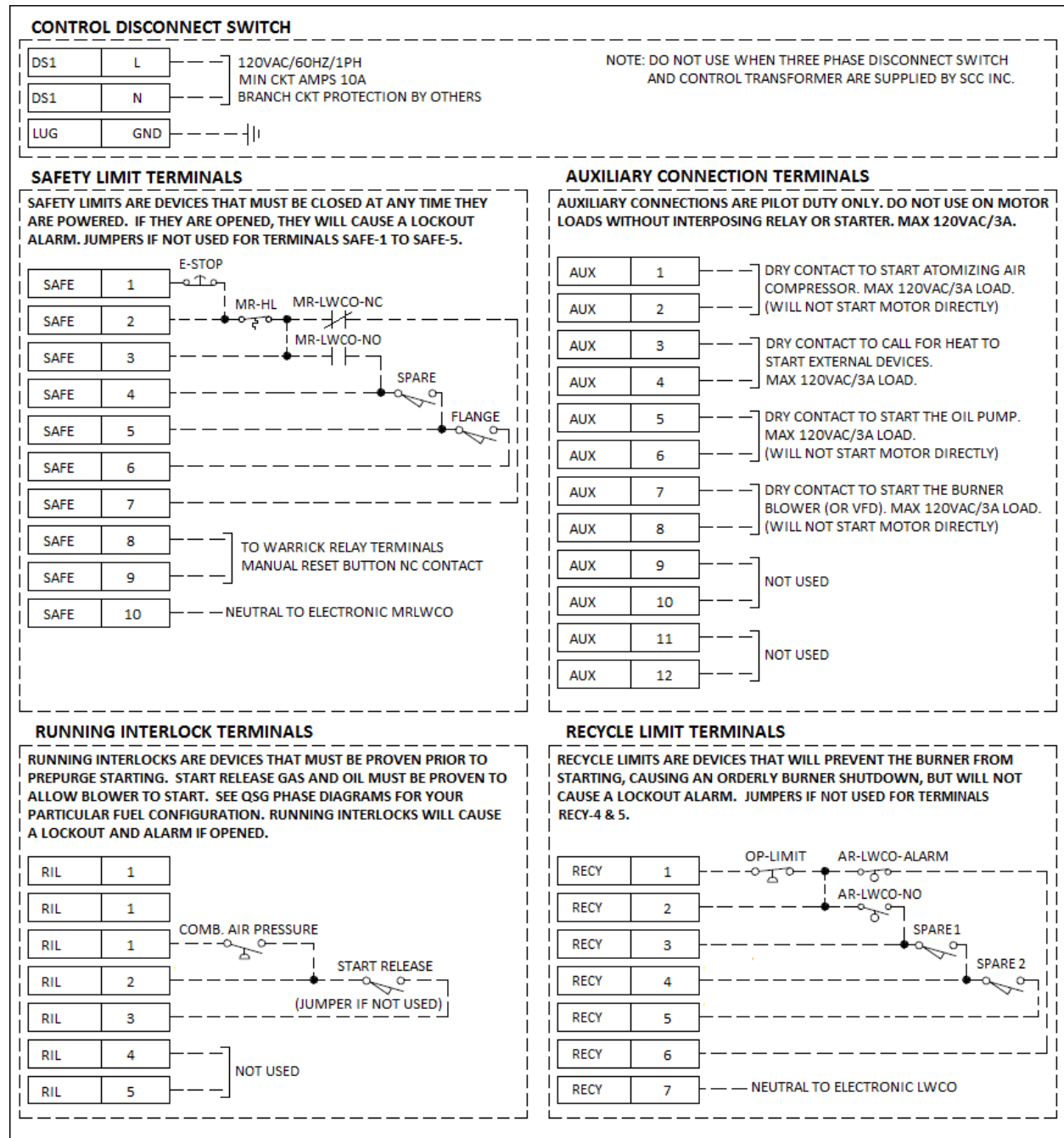
Specifications with 3 Phase Power

		With Touchscreen	W/out Touchscreen
Electrical characteristics	Main power	480 VAC	480 VAC
	Current	≤ 70 Amps	≤ 70 Amps
	Component power	24 VDC/120 VAC	120 VAC
	Power consumption	≤ 27.6 kVA	≤ 27.6 kVA
Operating environment	Operating temperature	32 to 122 °F [0 to 50 °C]	-4 to 140 °F [-20 to 60 °C]
	Humidity	Max. 85% with no condensation	Max. 85% with no condensation

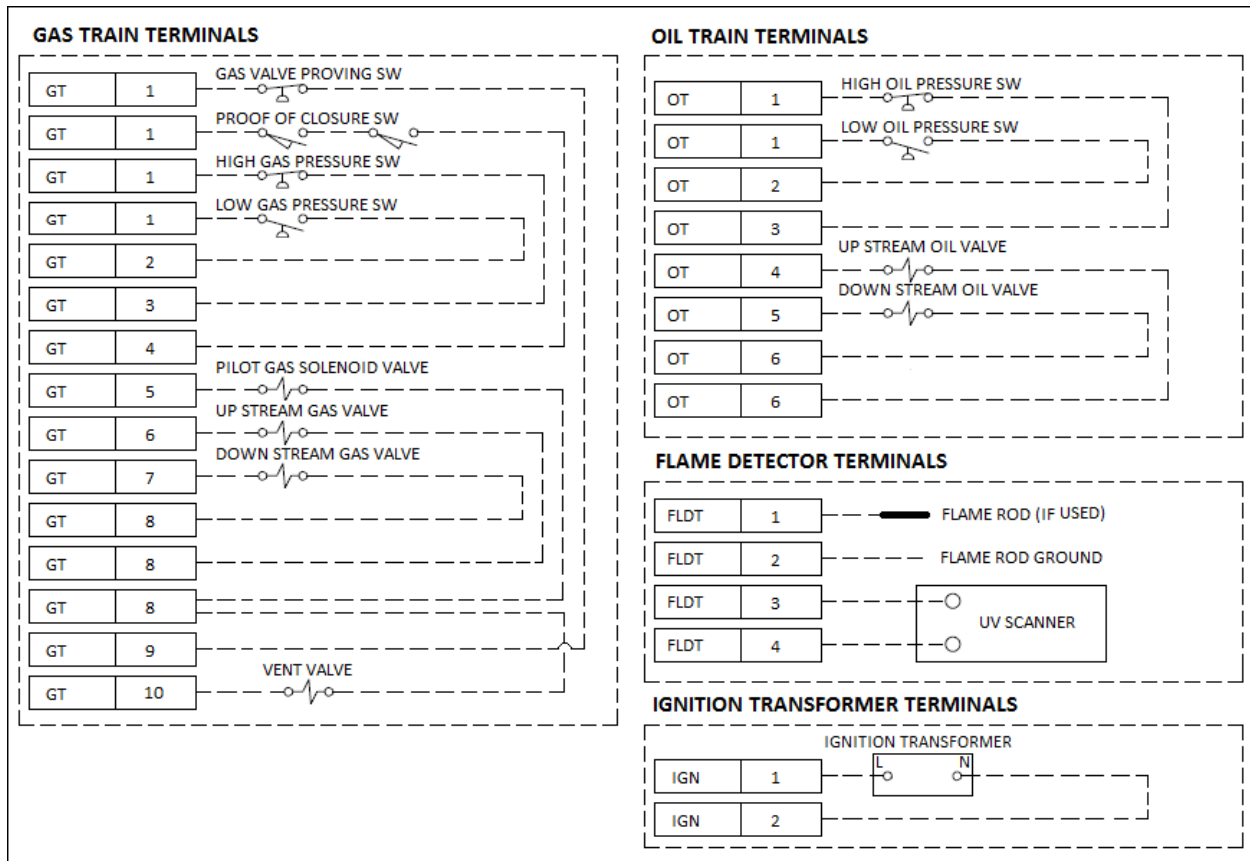
Connections



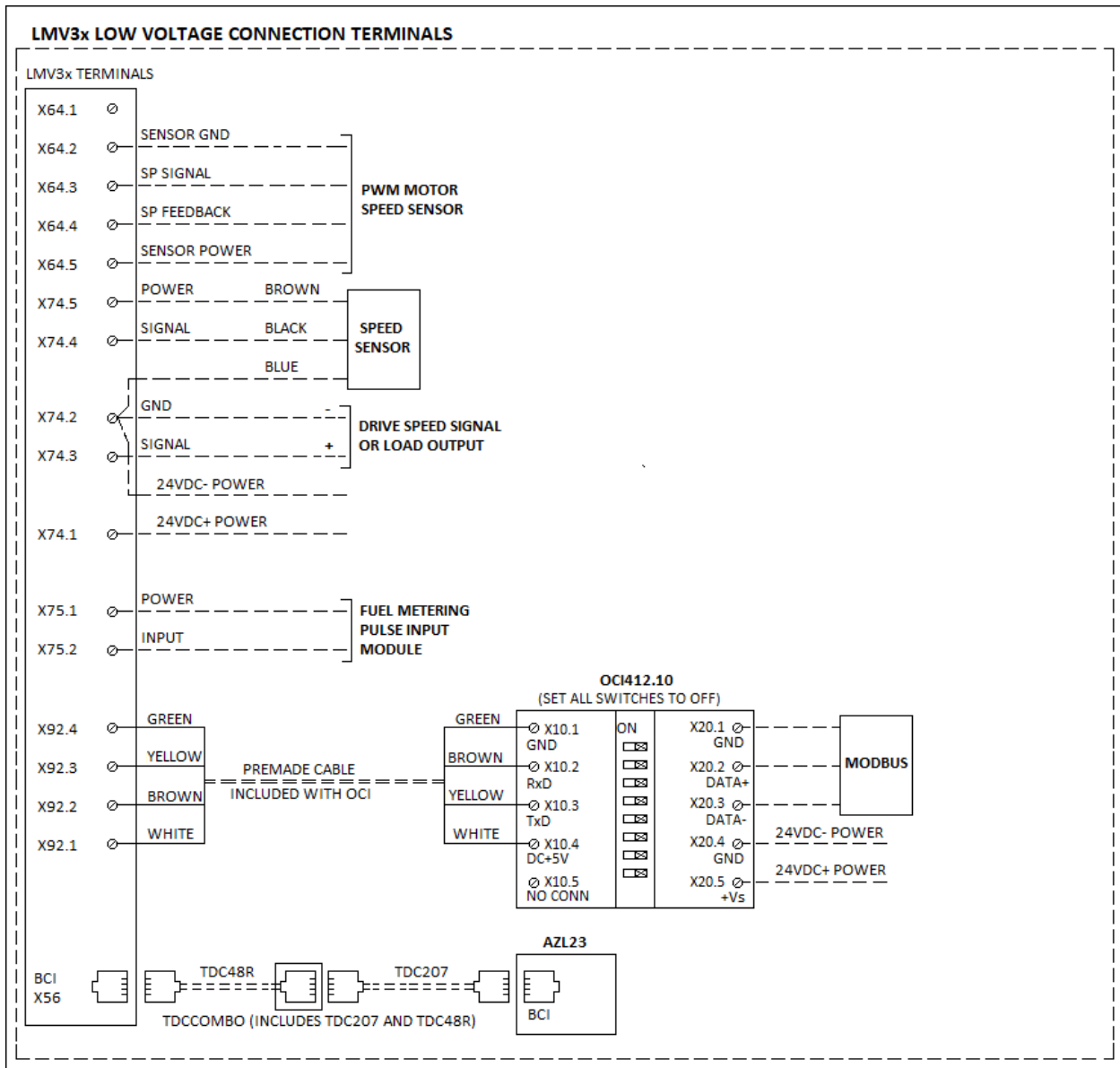
Connections (continued)



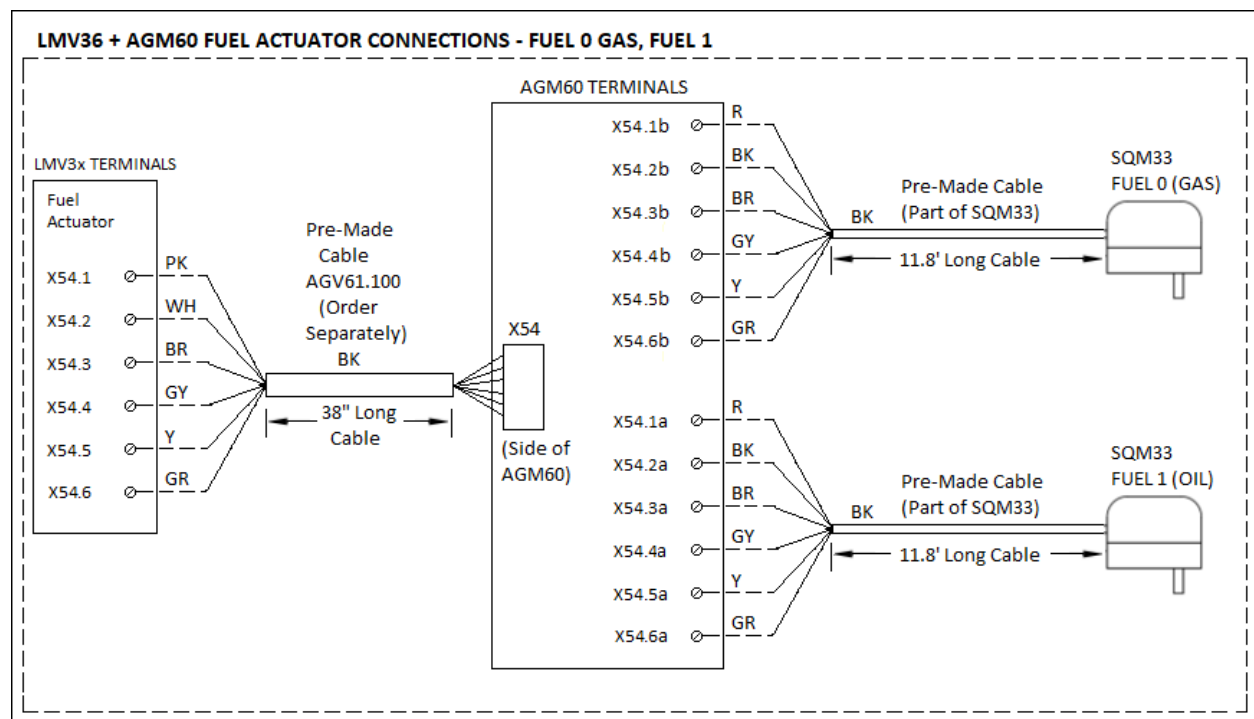
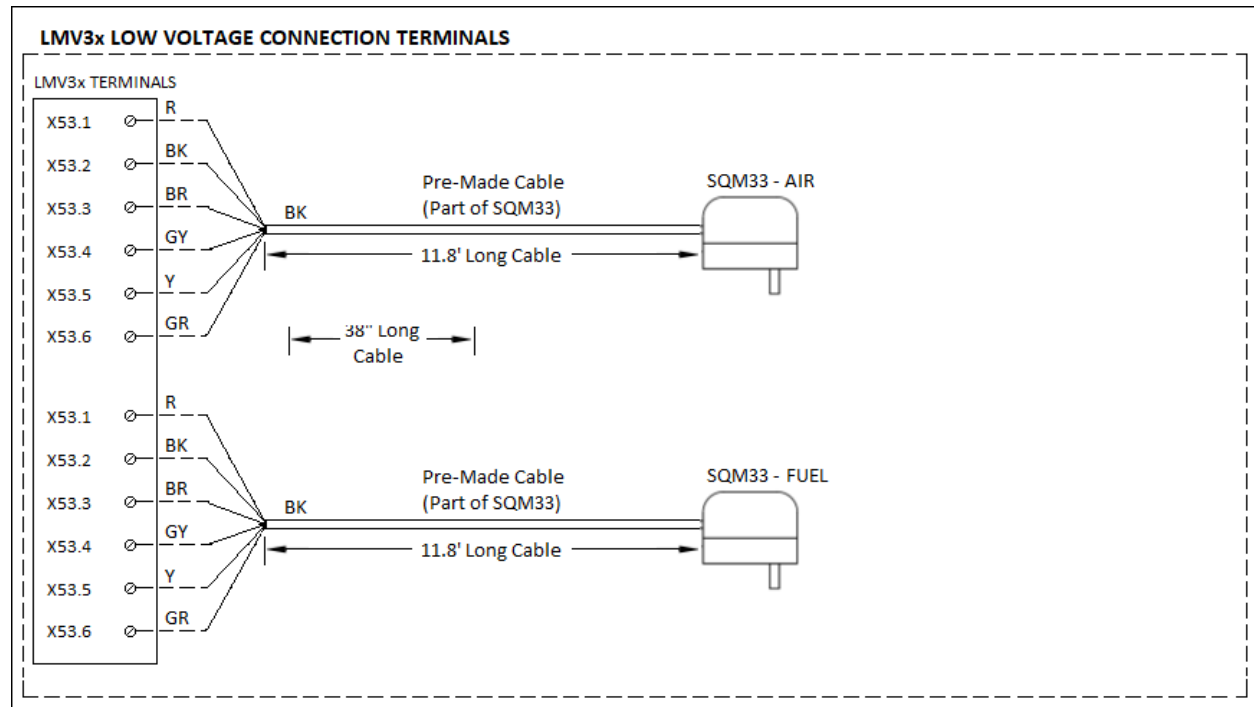
Connections (continued)



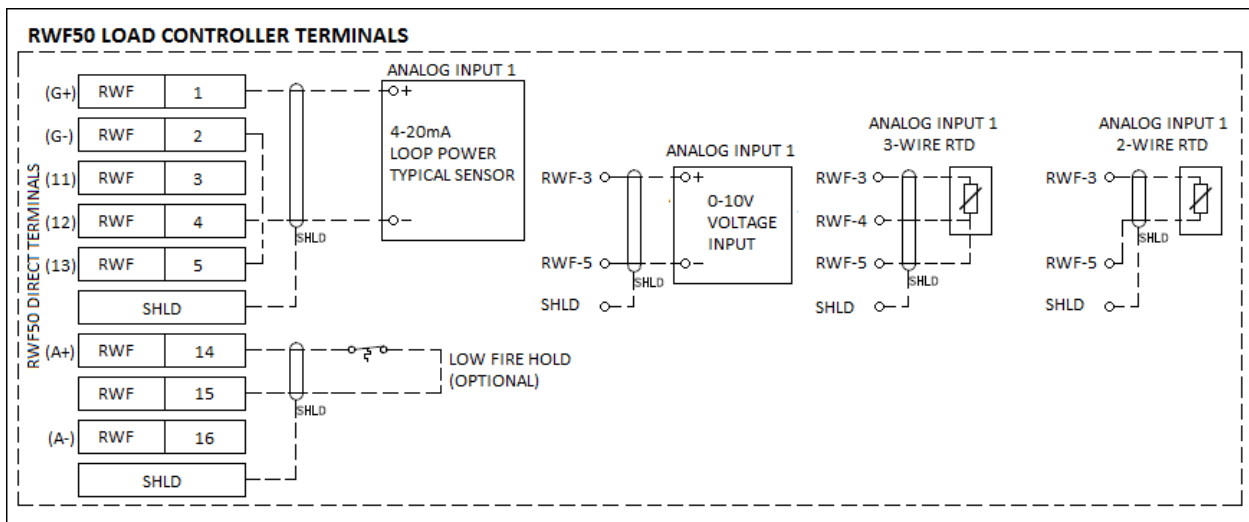
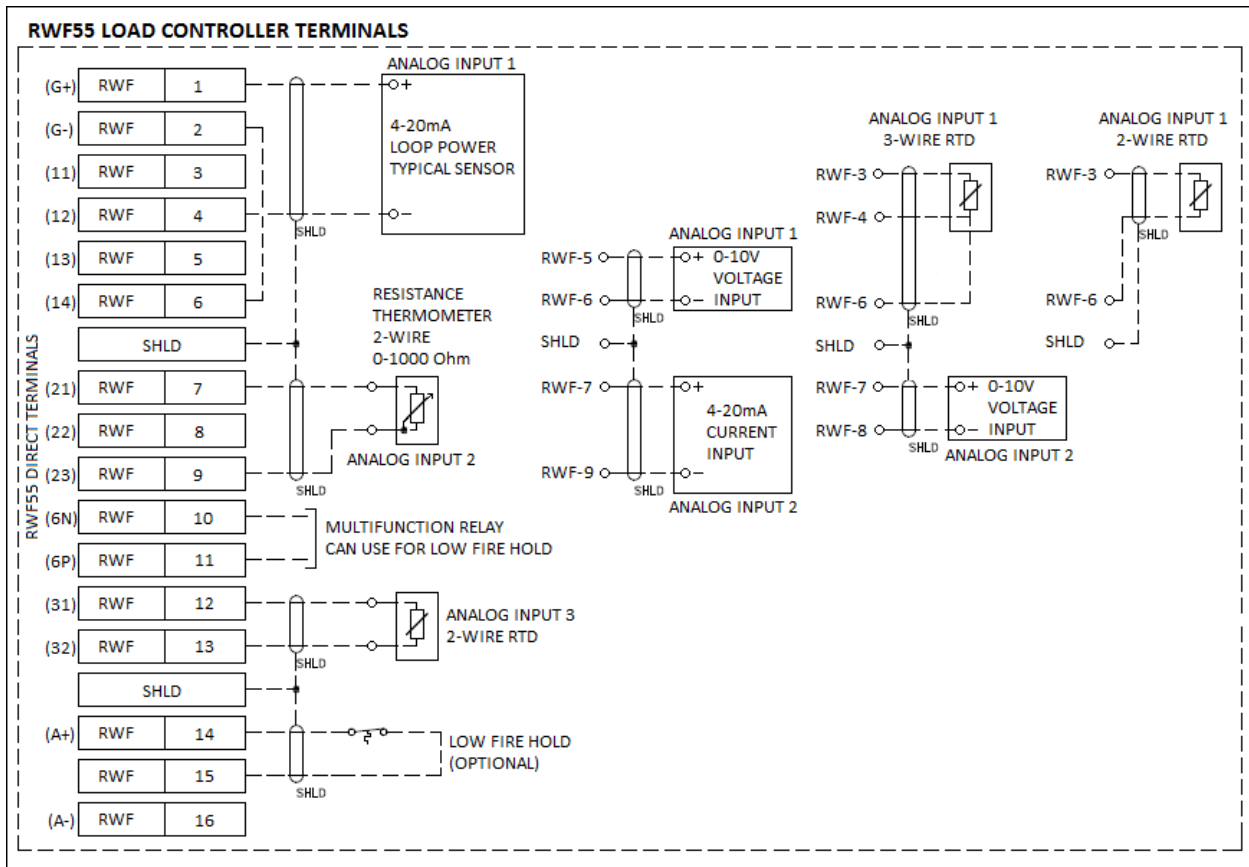
Connections (continued)



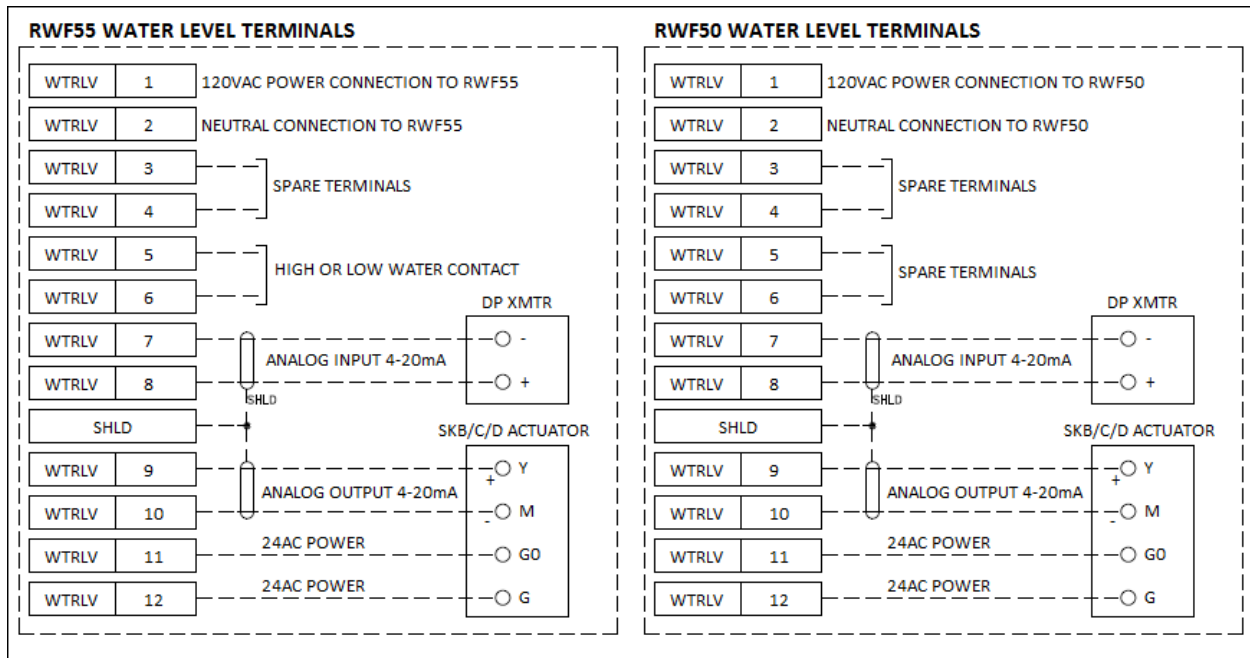
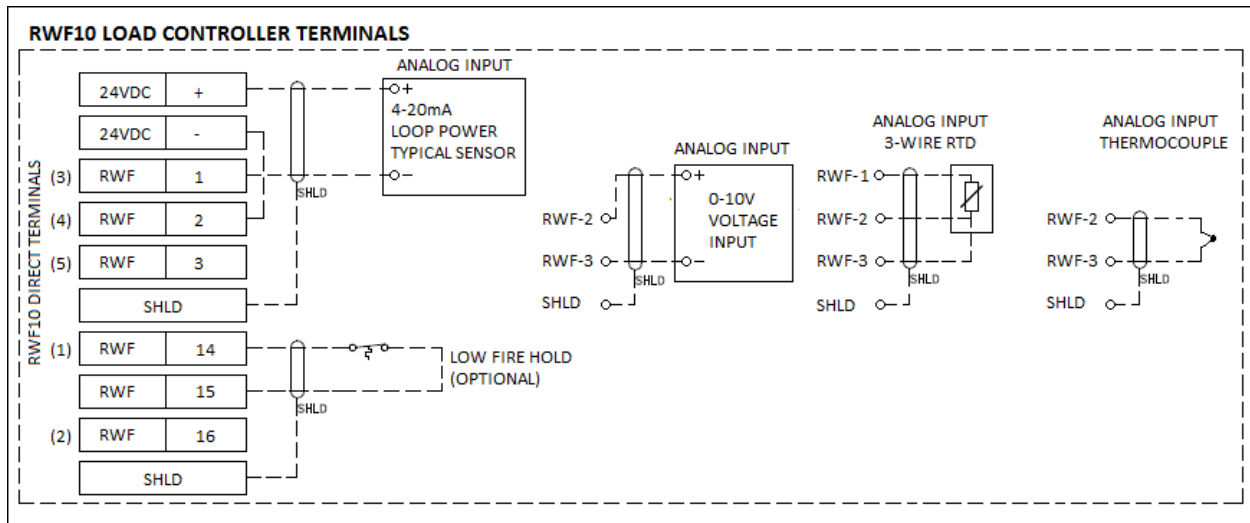
Connections (continued)



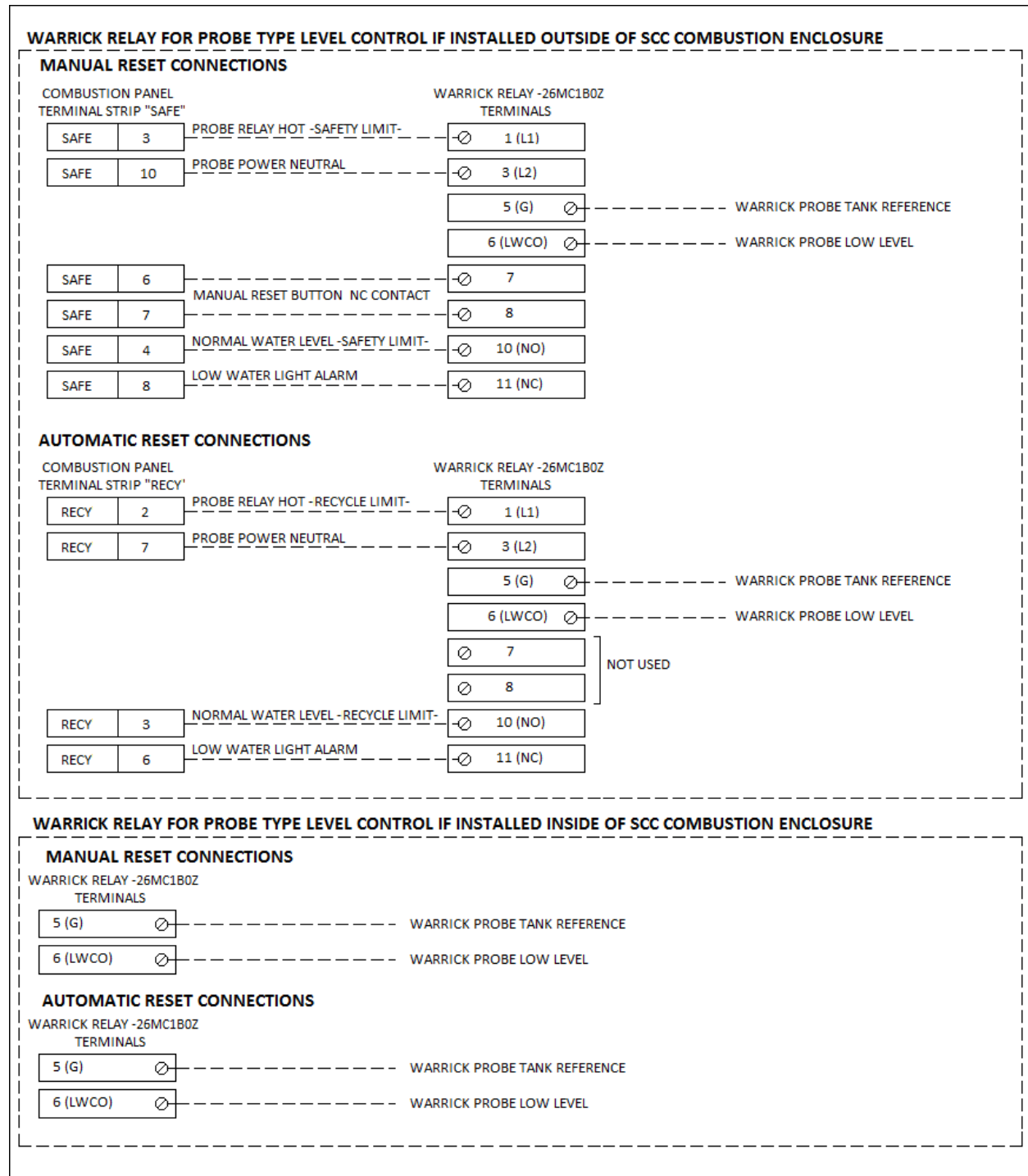
Connections (continued)



Connections (continued)

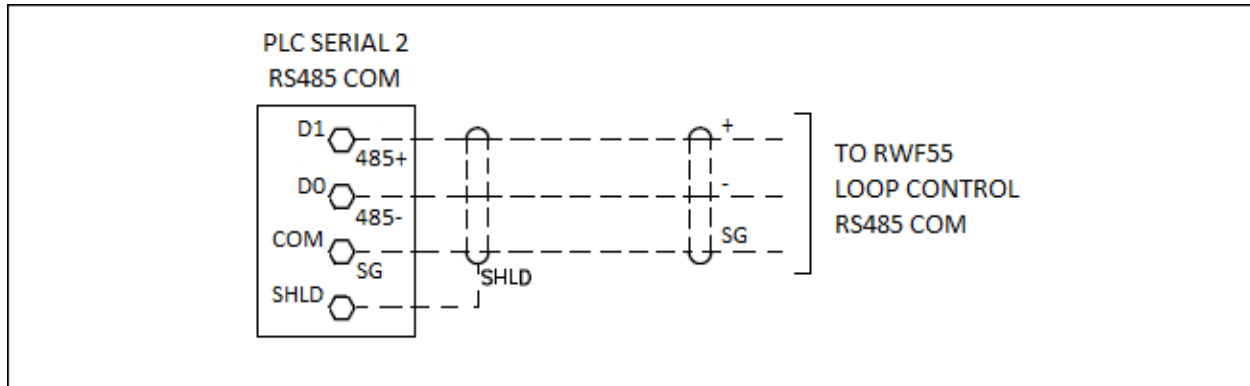


Connections (continued)

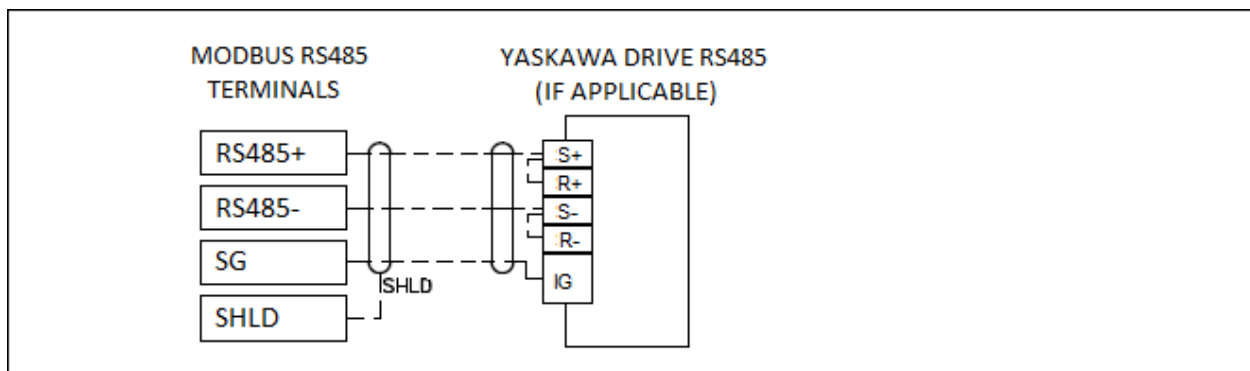


Connections (continued)

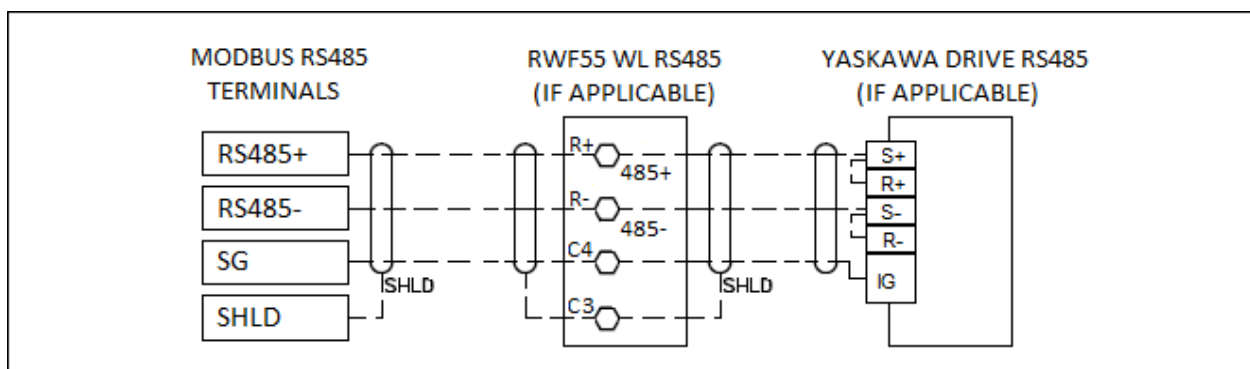
Additional RWF55 loop control Modbus connection. Only for kits with annunciation options for up to two connections:



Modbus RS485 serial connection with Yaskawa drive:

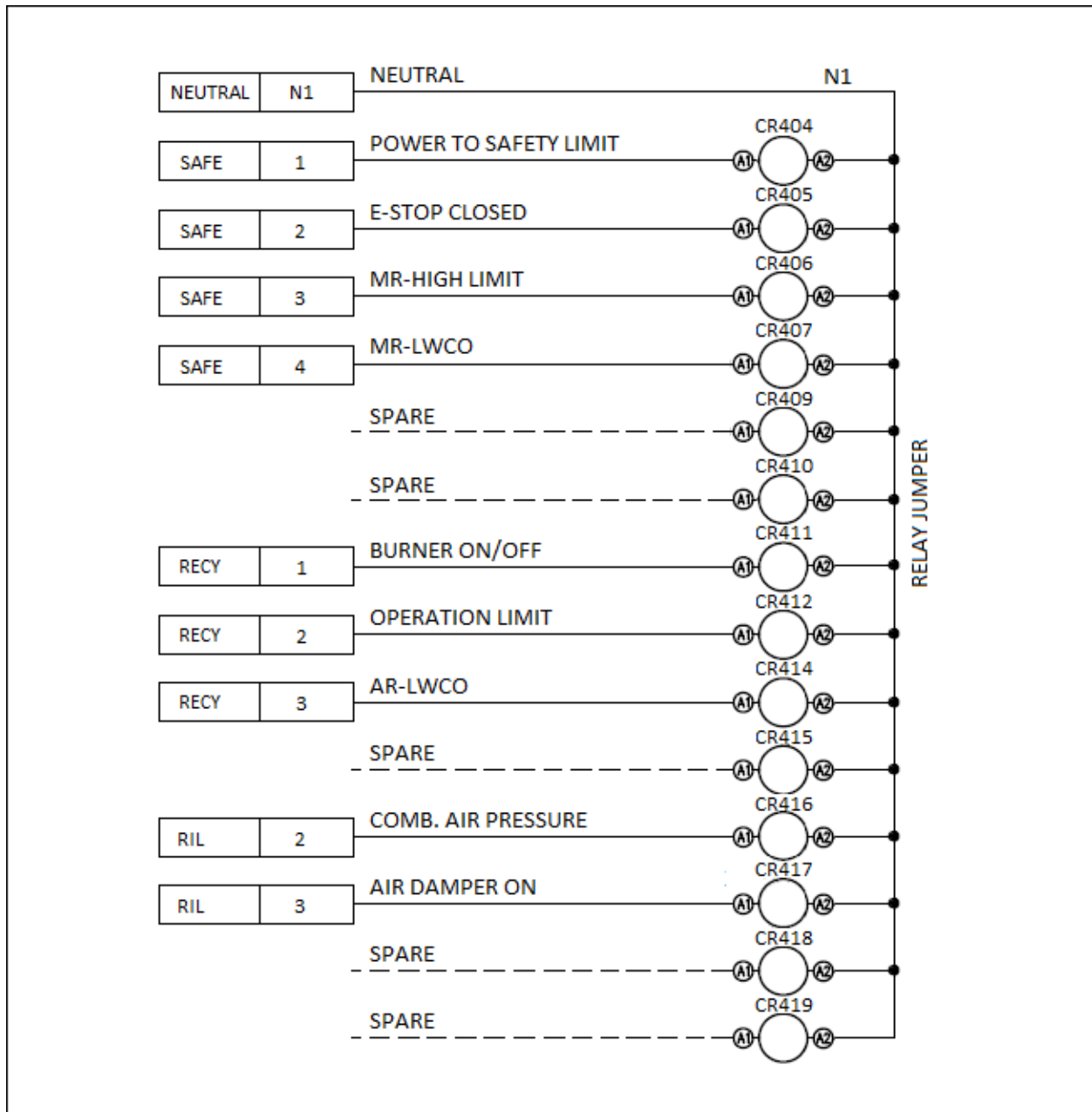


Modbus RS485 serial connection with RWF55 water level and Yaskawa drive:



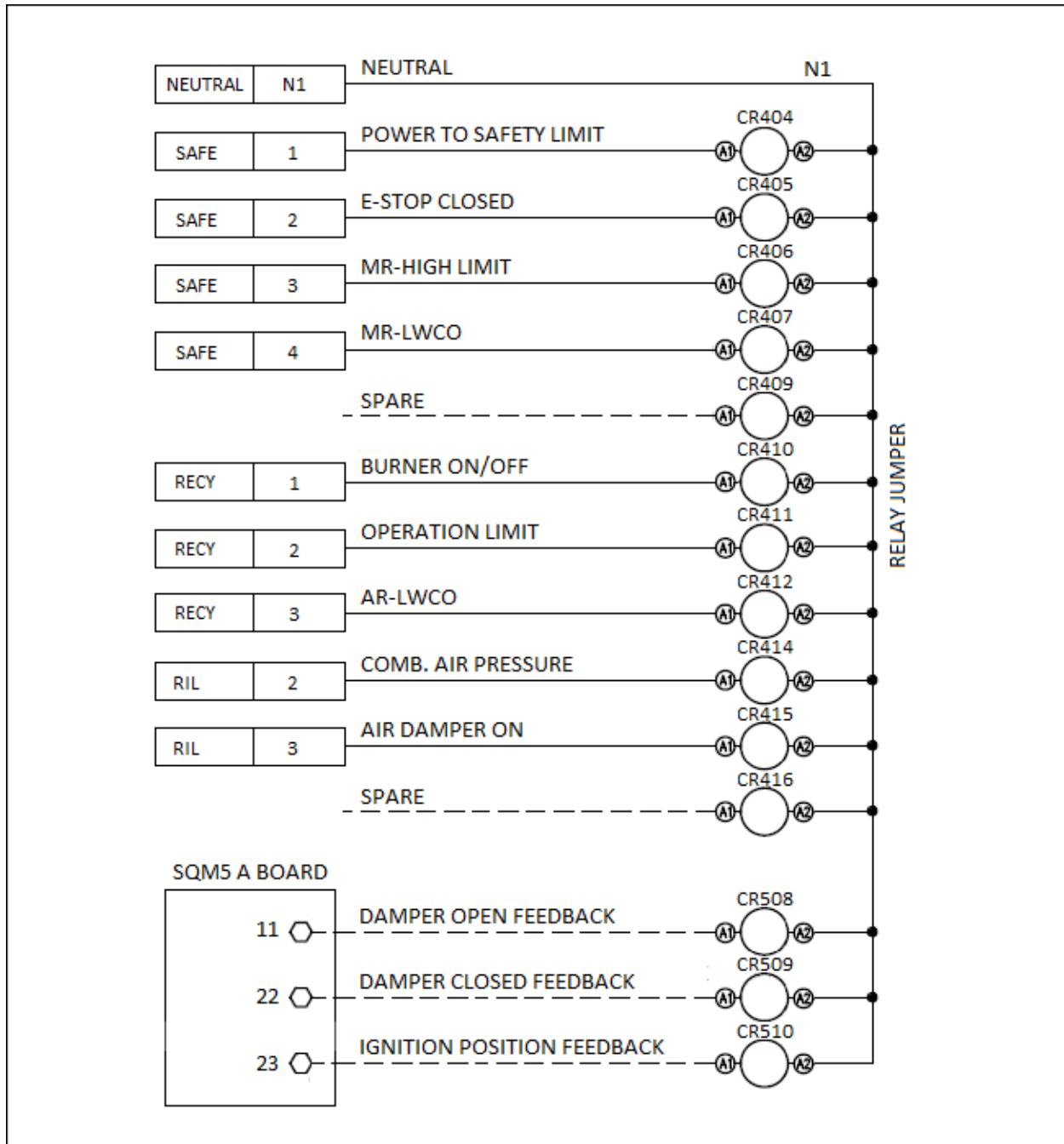
Connections (continued)

Standard annunciation fourteen (14) 120VAC inputs:



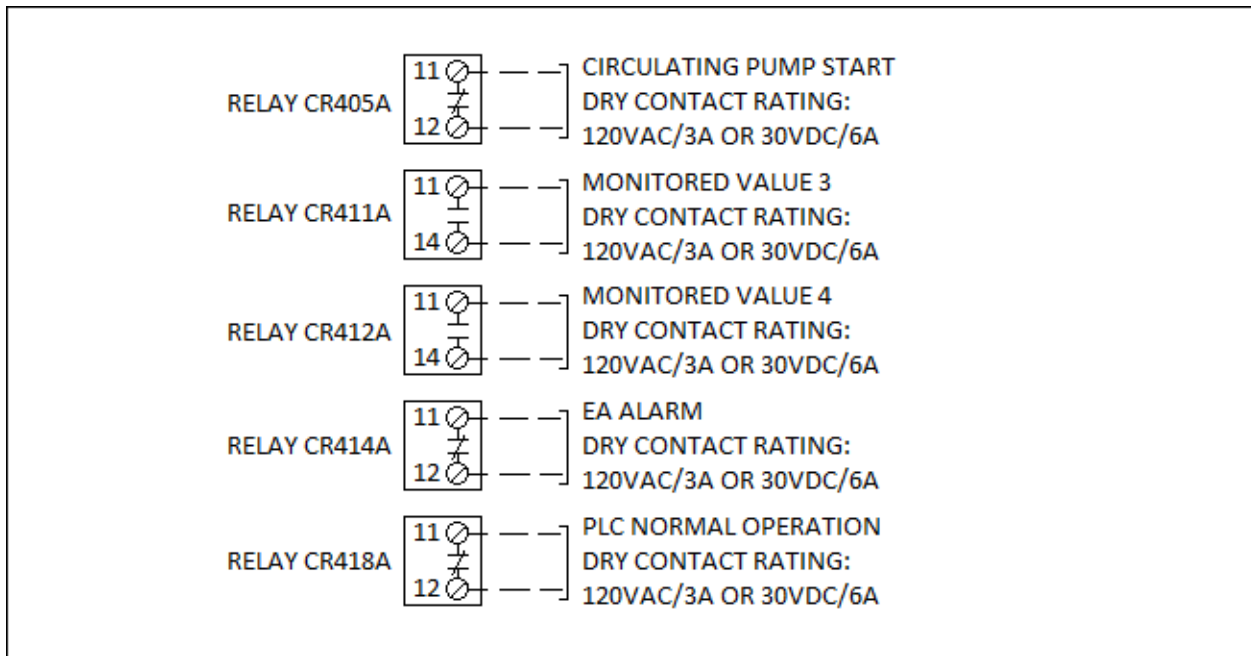
Connections (continued)

Standard annunciation fourteen (14) 120 VAC Inputs (with draft control):



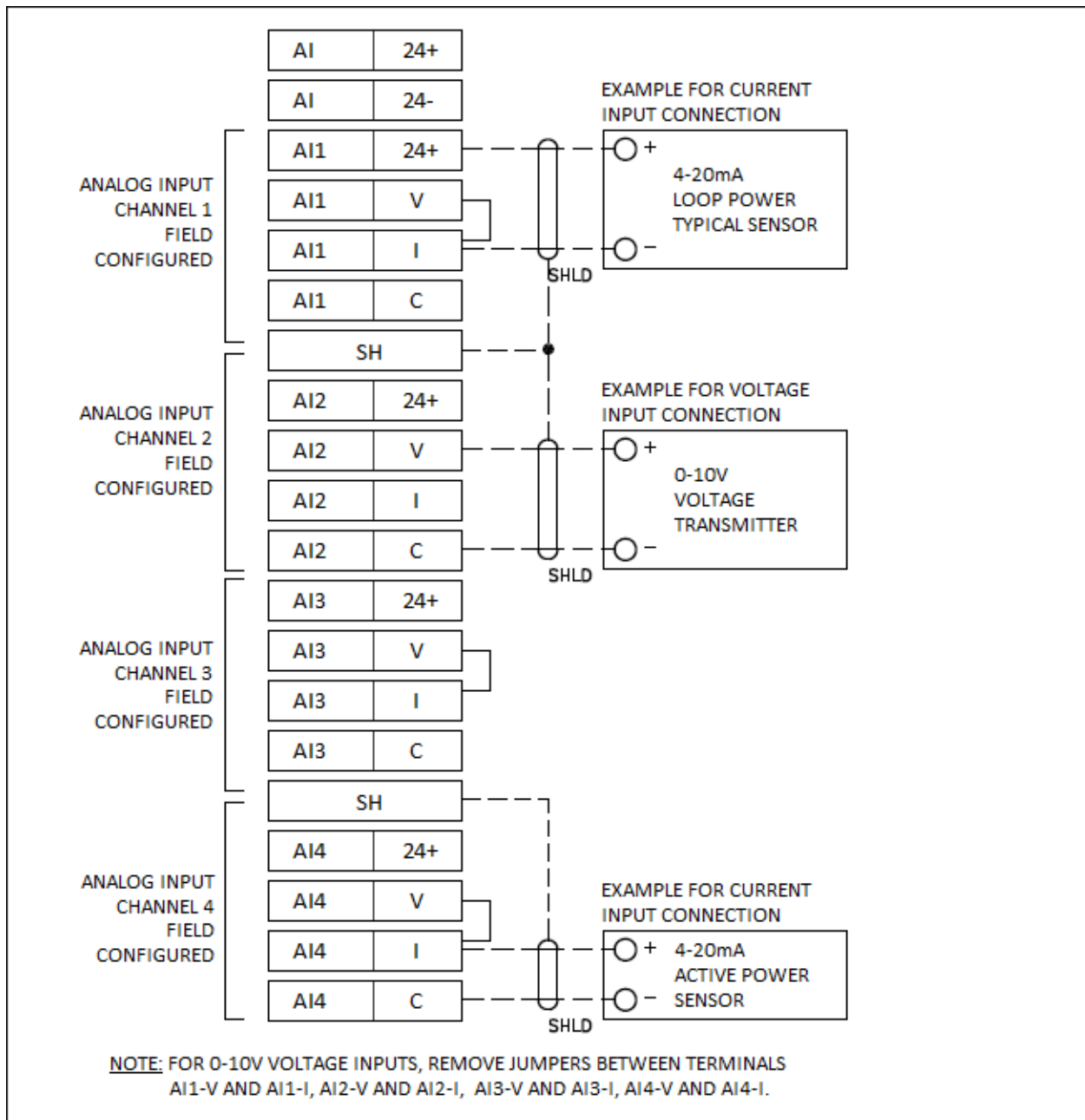
Connections (continued)

Output relay terminals:



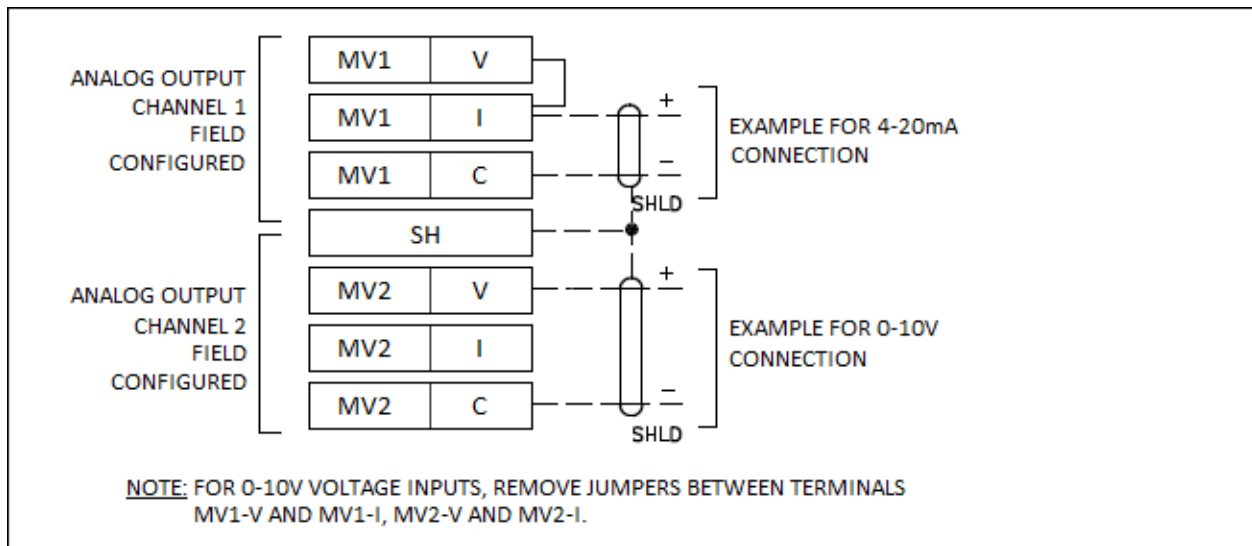
Connections (continued)

Analog input terminals:

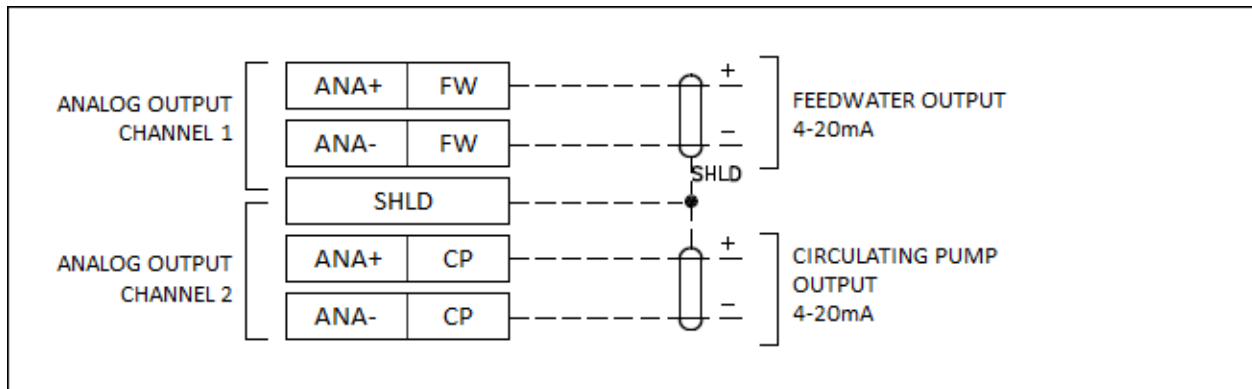


Connections (continued)

Analog output terminals:



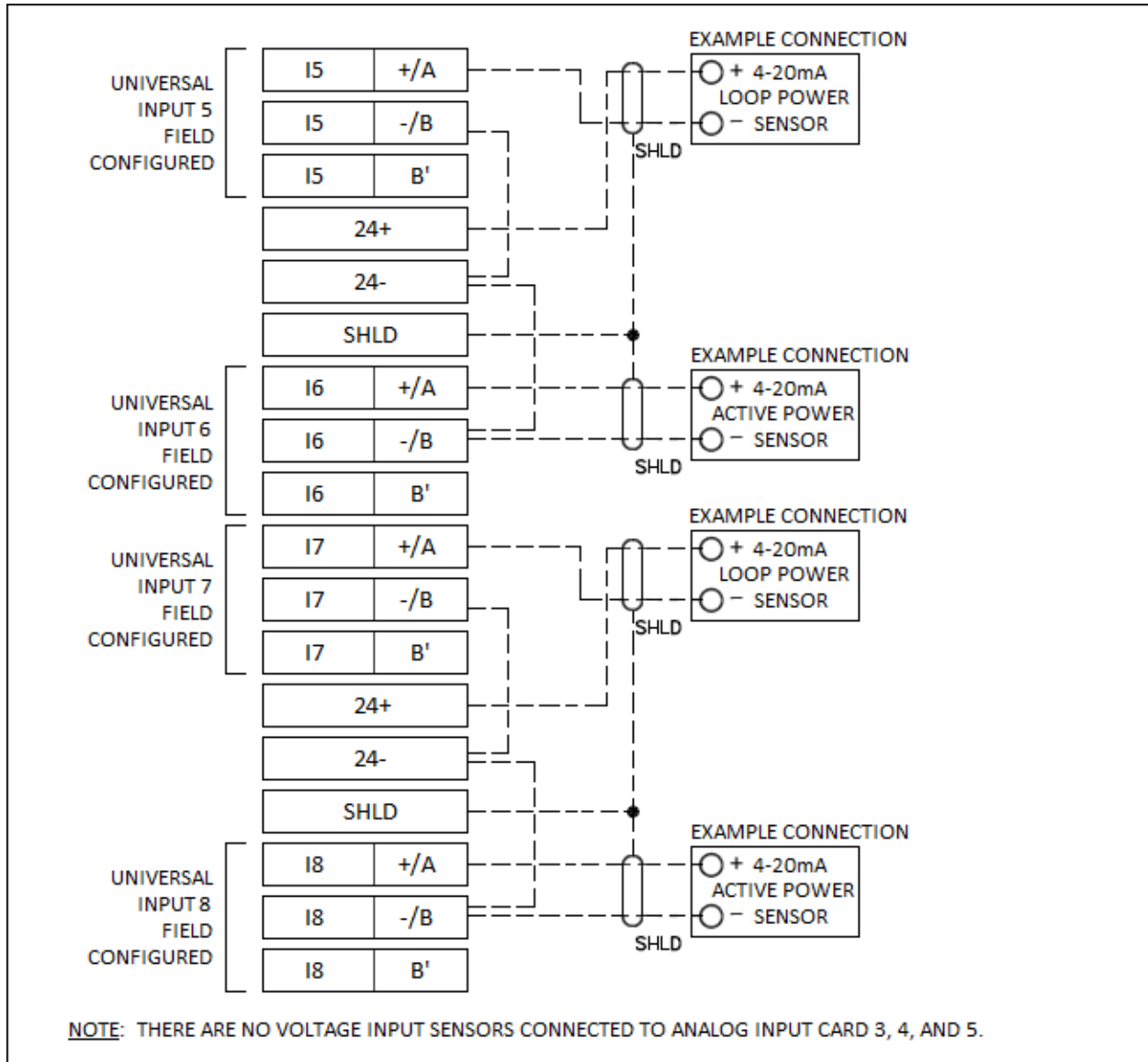
Analog outputs option used for feedwater output and circulating pump, 4-20mA only terminals:



Connections (continued)

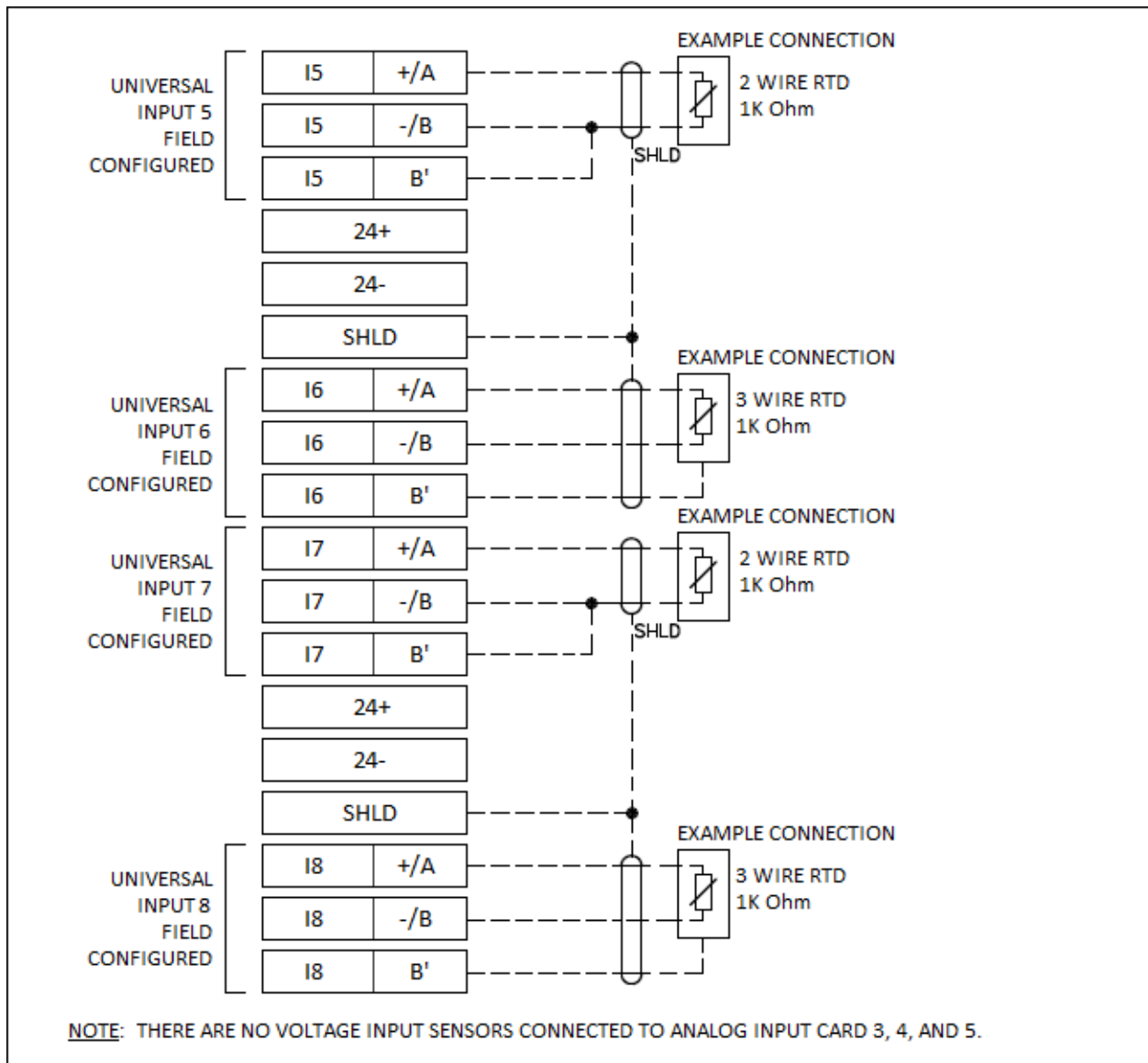
12 Universal inputs

The first four universal input terminals with current transmitter example connections:



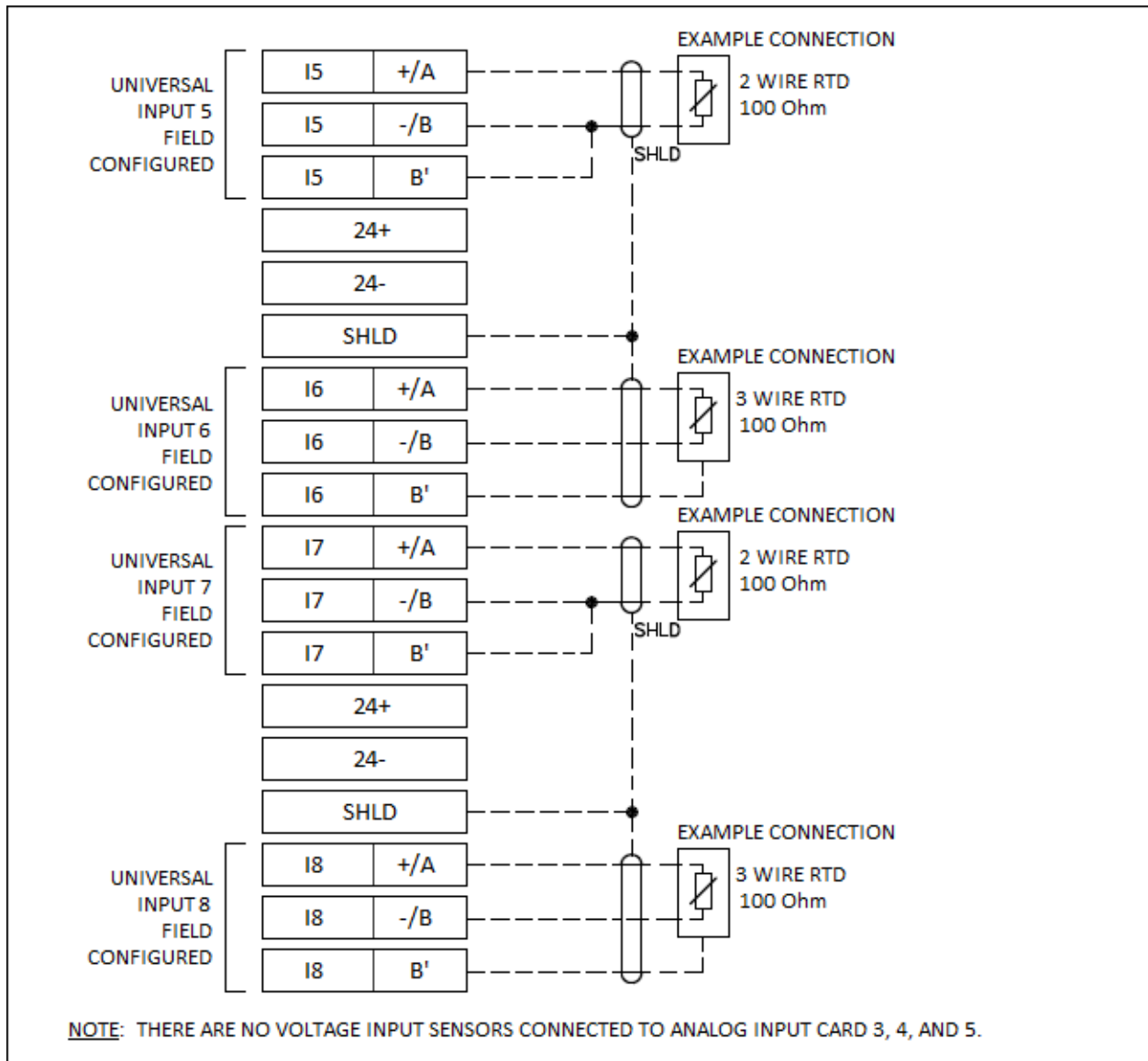
Connections (continued)

The first four universal input terminals with RTD 1000 Ohm example connections:



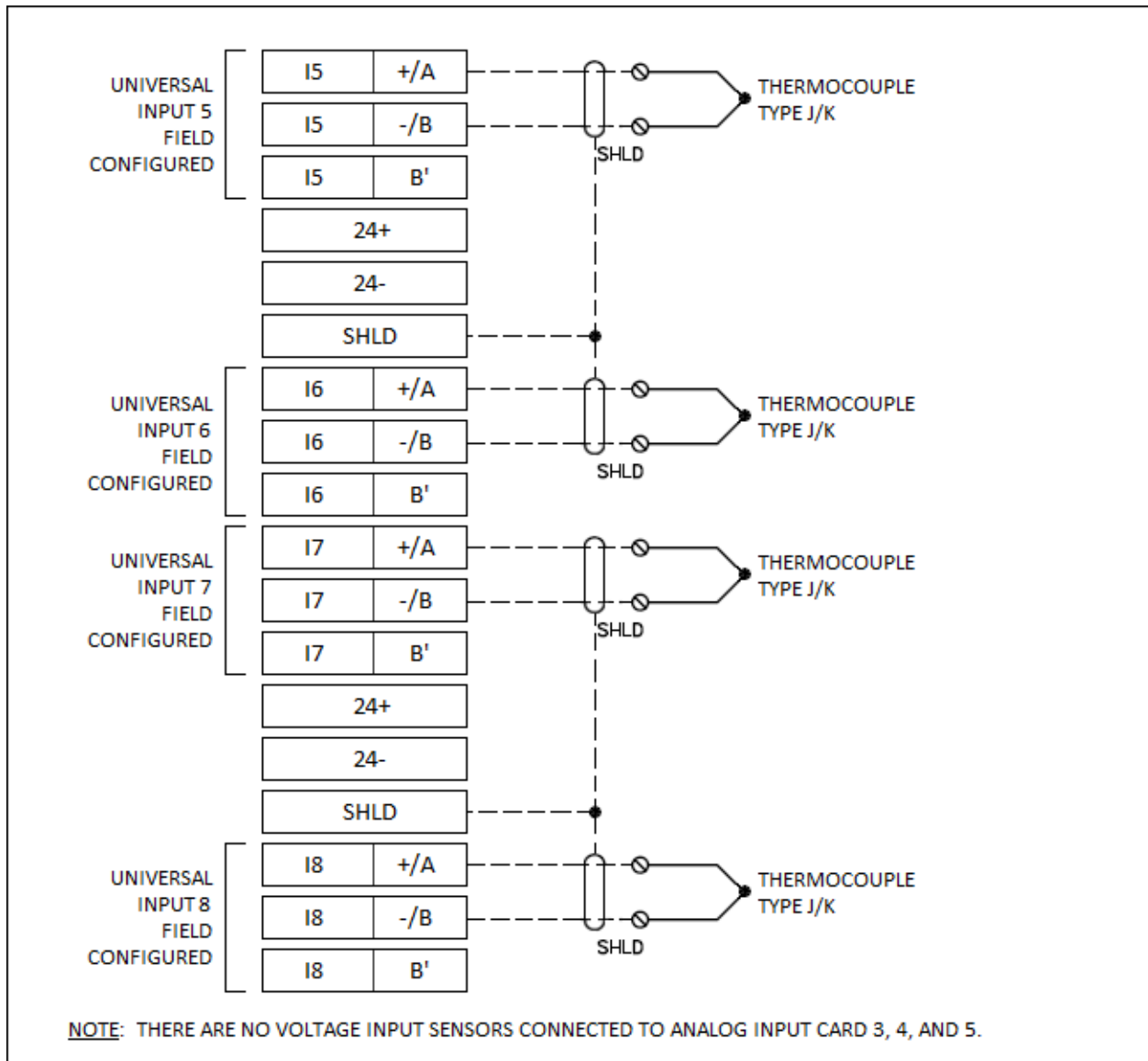
Connections (continued)

The first four universal input terminals with RTD 100 Ohm example connections:



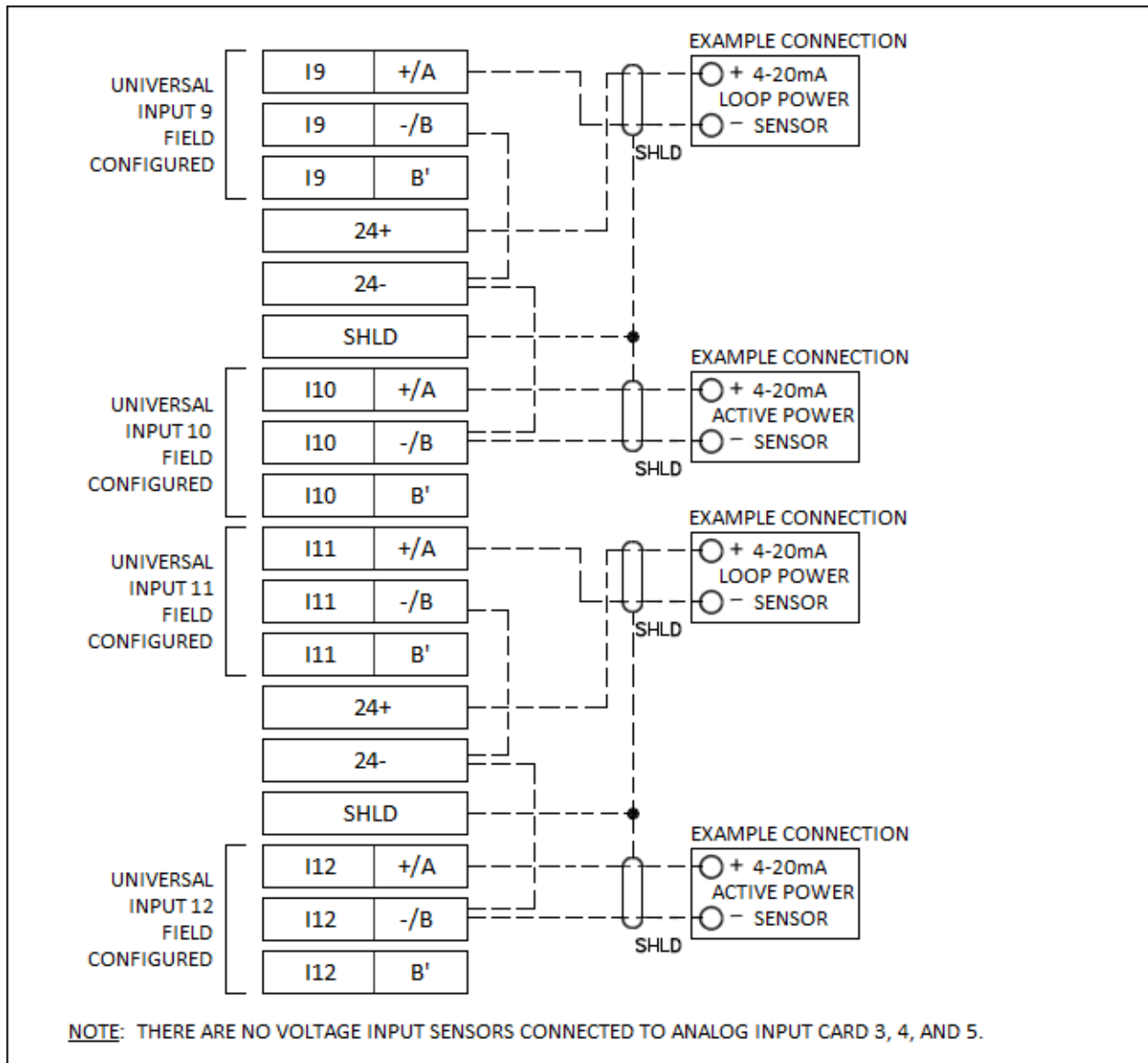
Connections (continued)

The first four universal input terminals with thermocouple type J/K example connections:



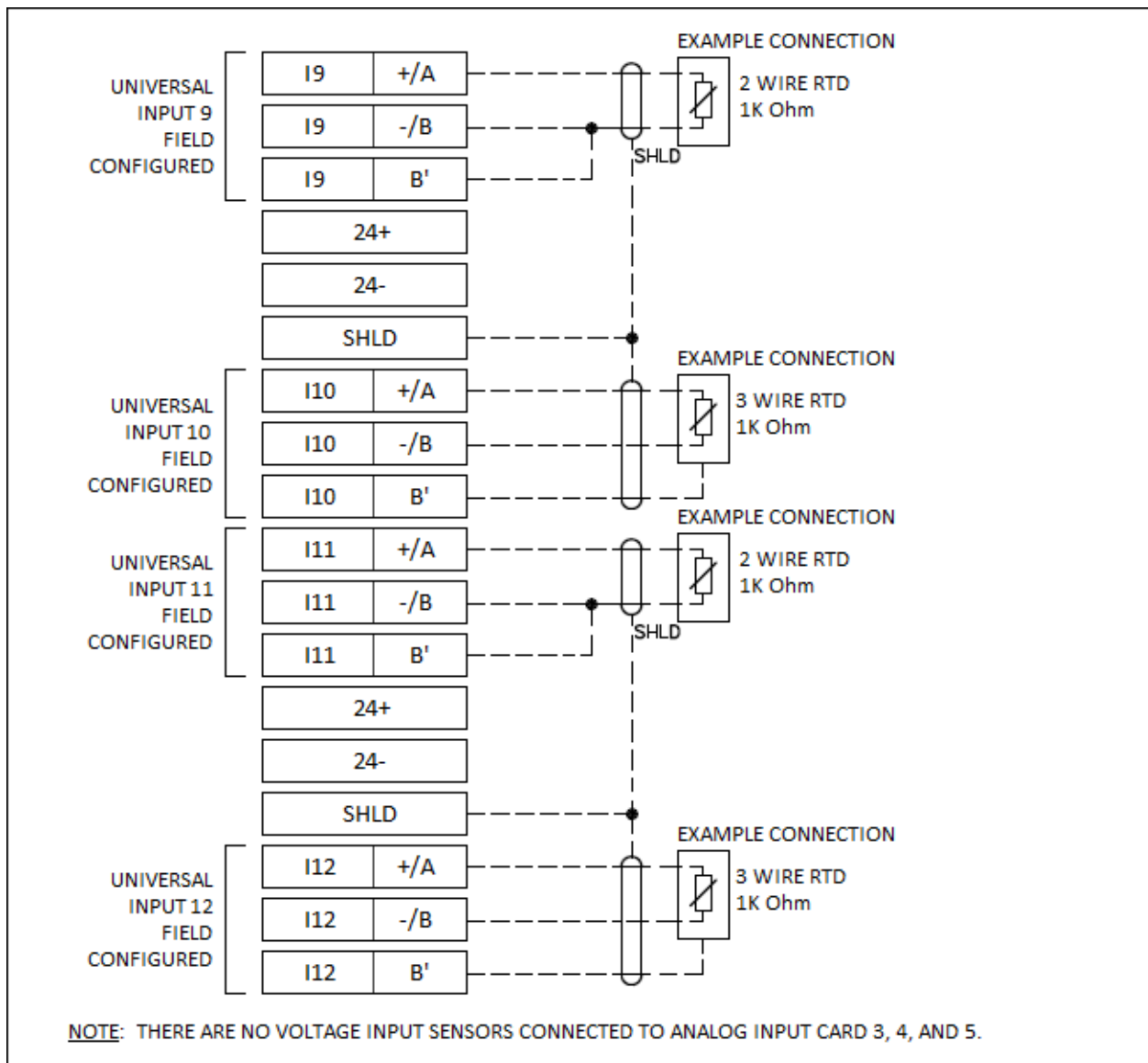
Connections (continued)

The second four universal input terminals with current transmitter example connections:



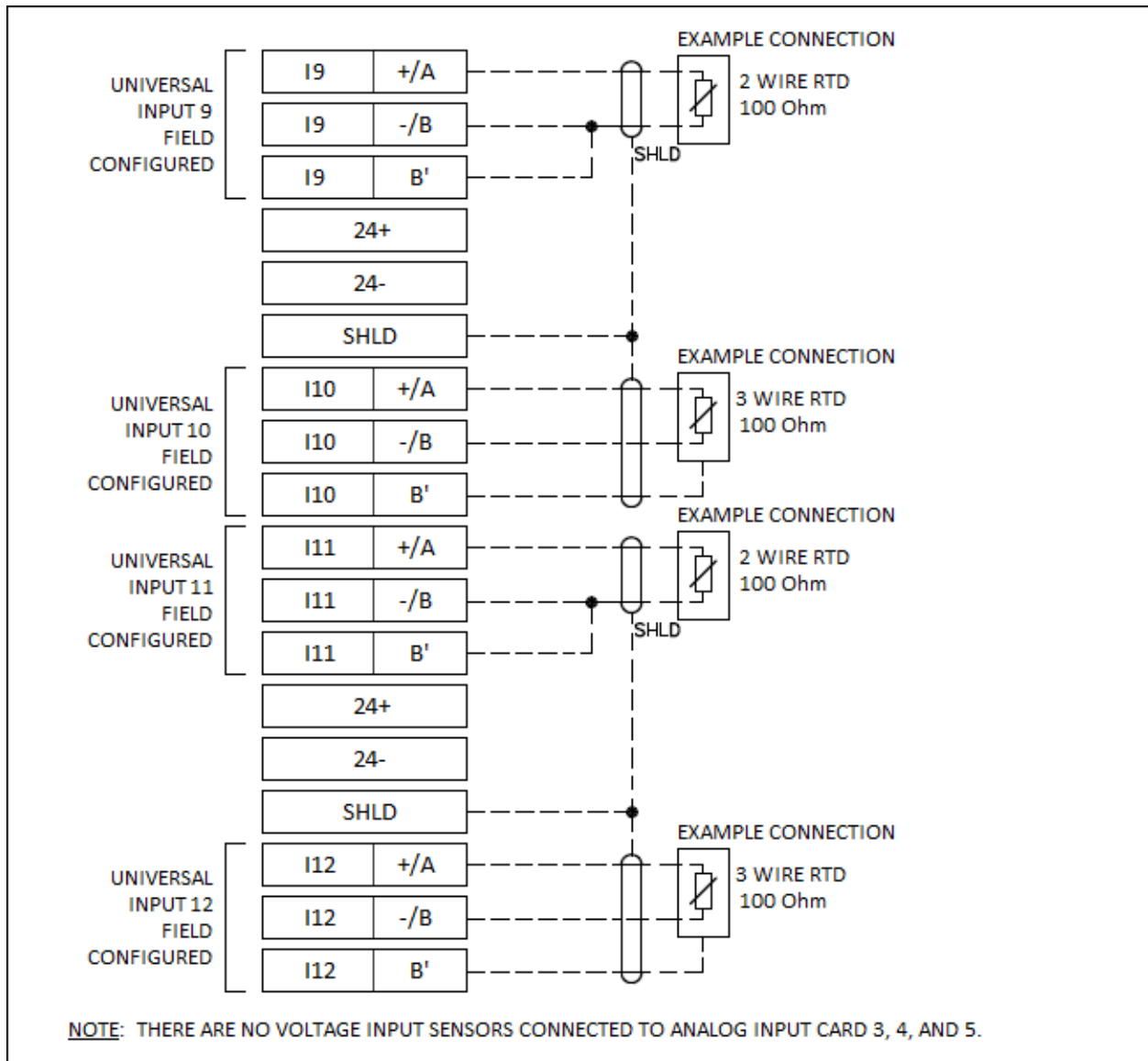
Connections (continued)

The second four universal input terminals with RTD 1000 Ohm connections:



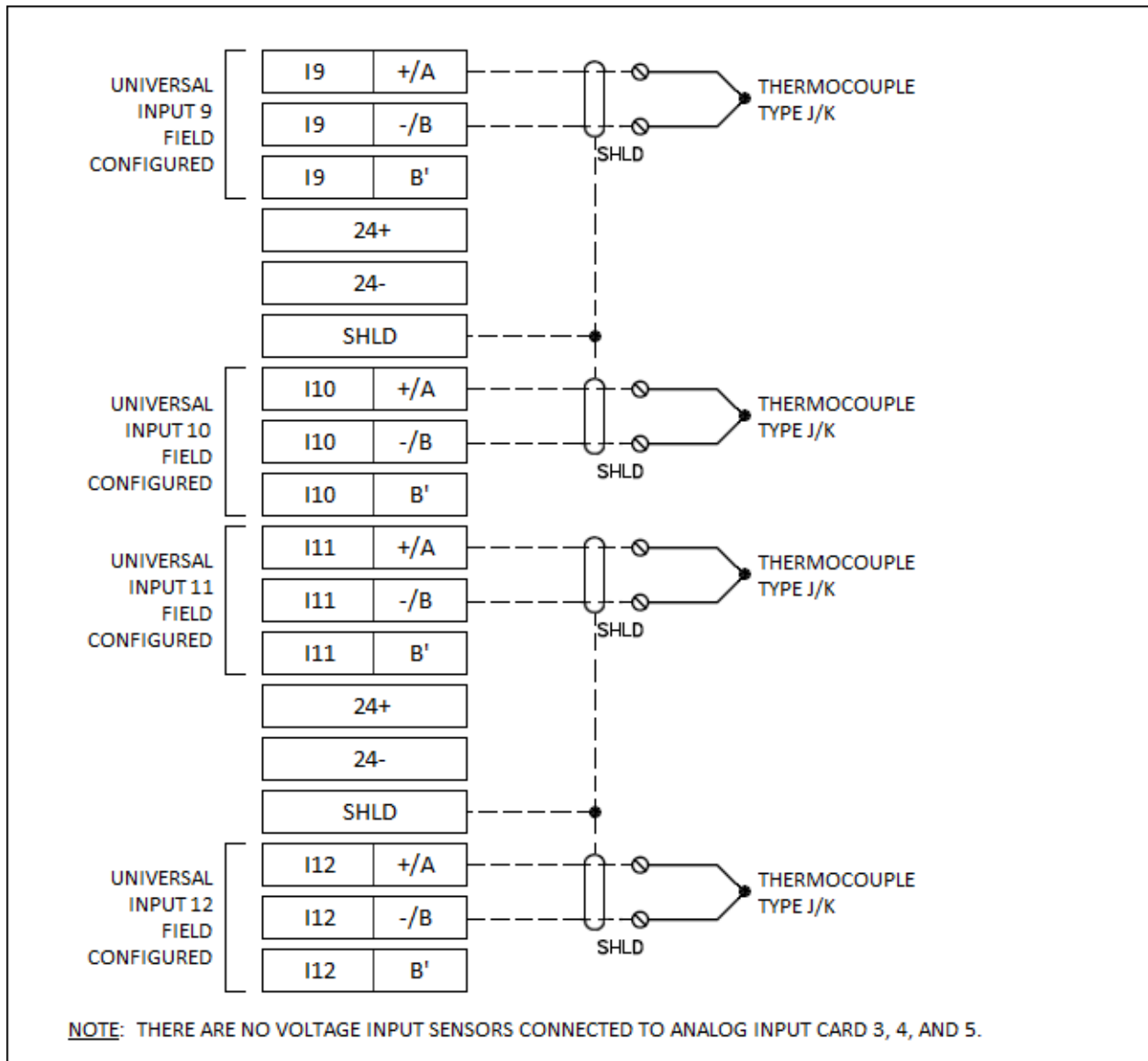
Connections (continued)

The second four universal input terminals with RTD 100 Ohm connections:



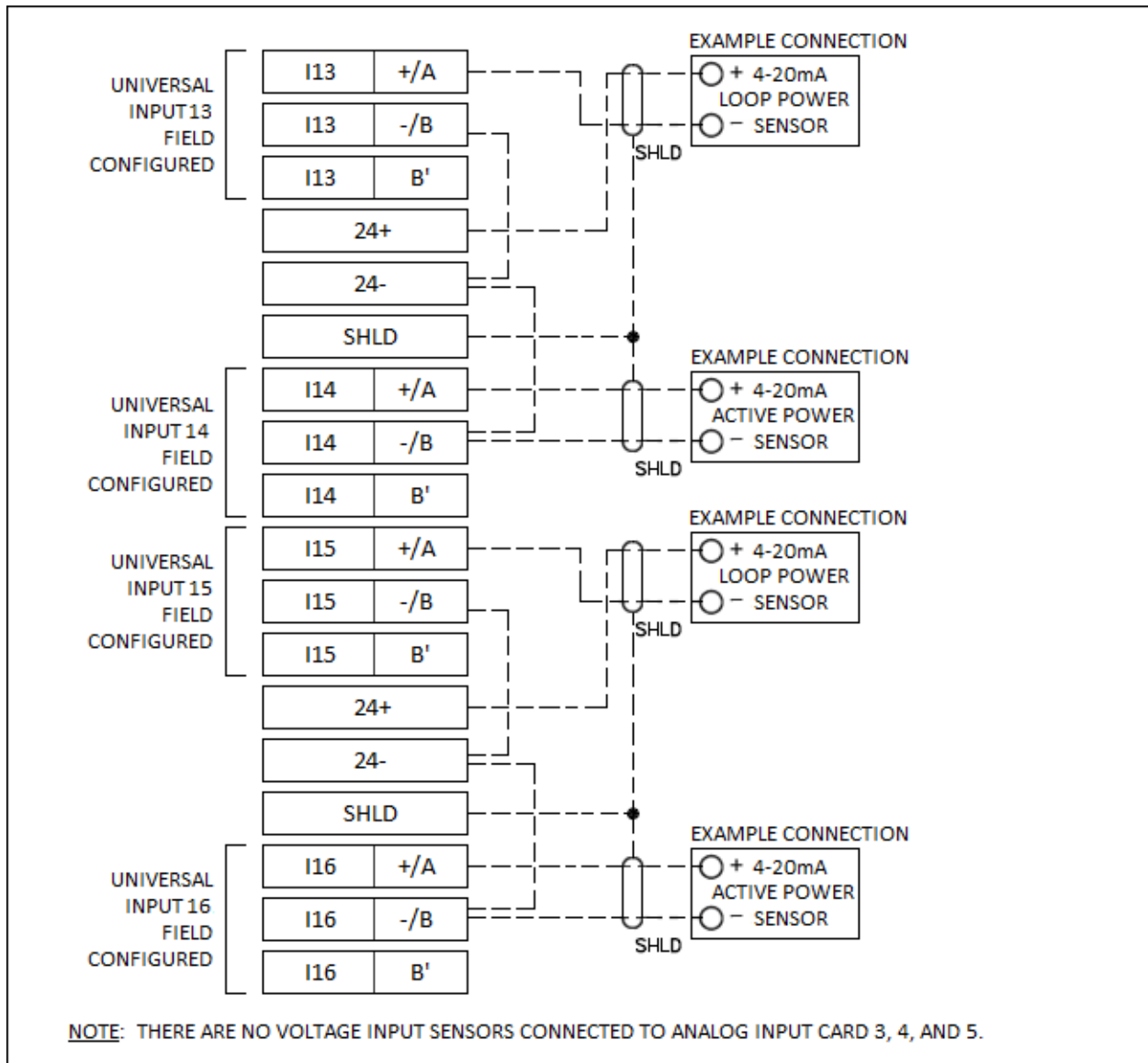
Connections (continued)

The second four universal input terminals with thermocouple type J/K example connections:



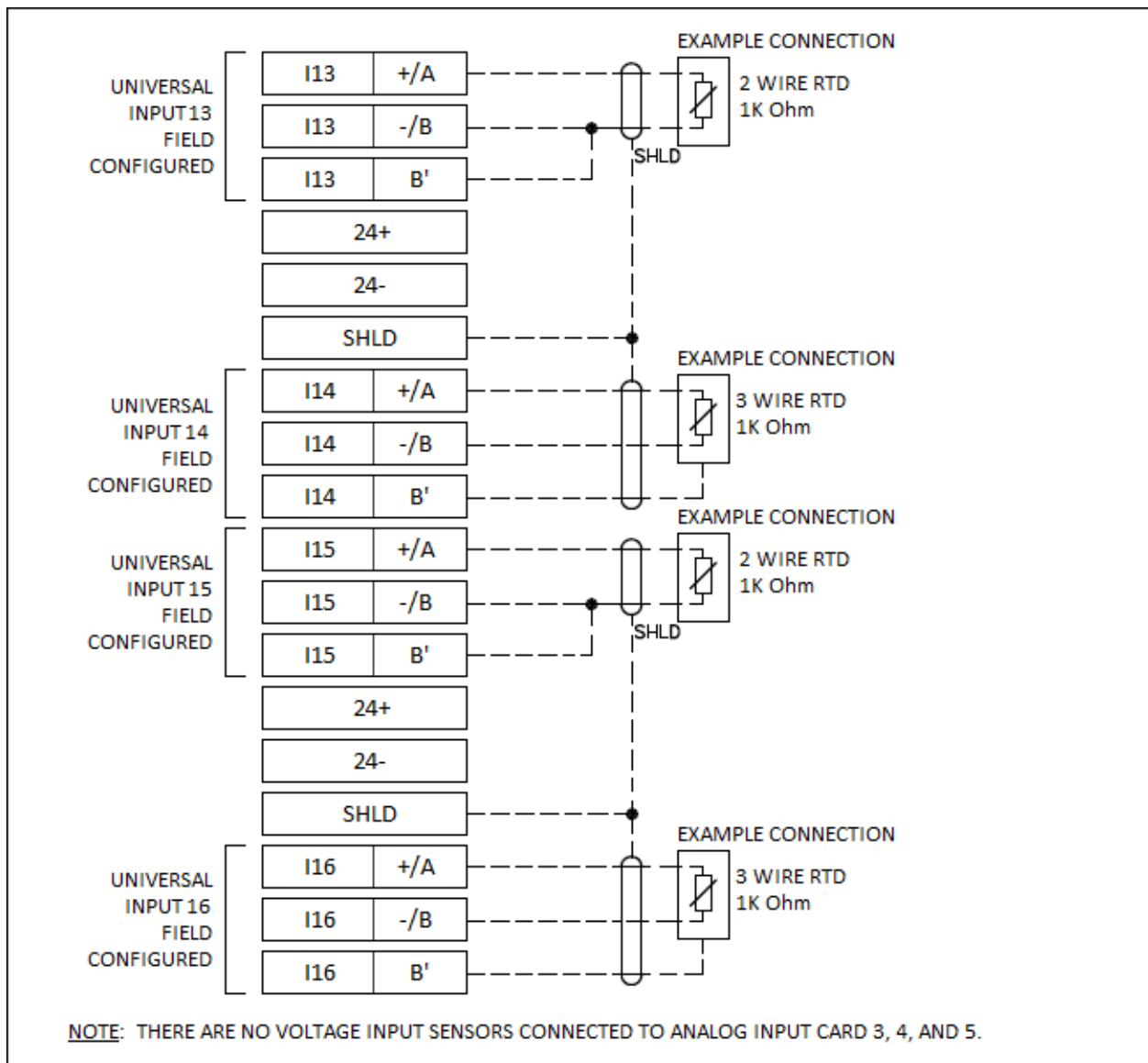
Connections (continued)

The third four universal input terminals with current transmitter connections:



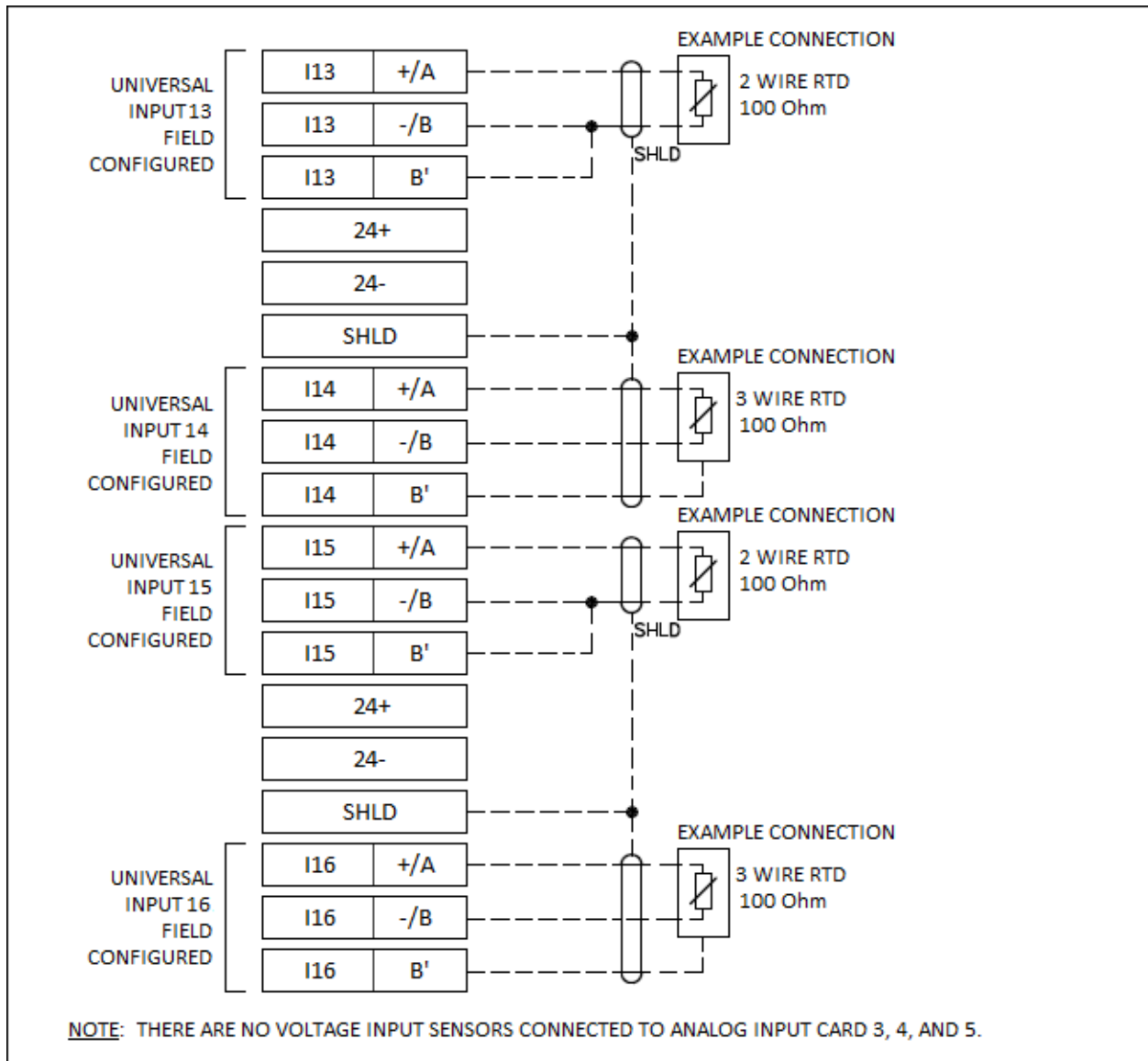
Connections (continued)

The third four universal input terminals with RTD 1000 Ohm connections:



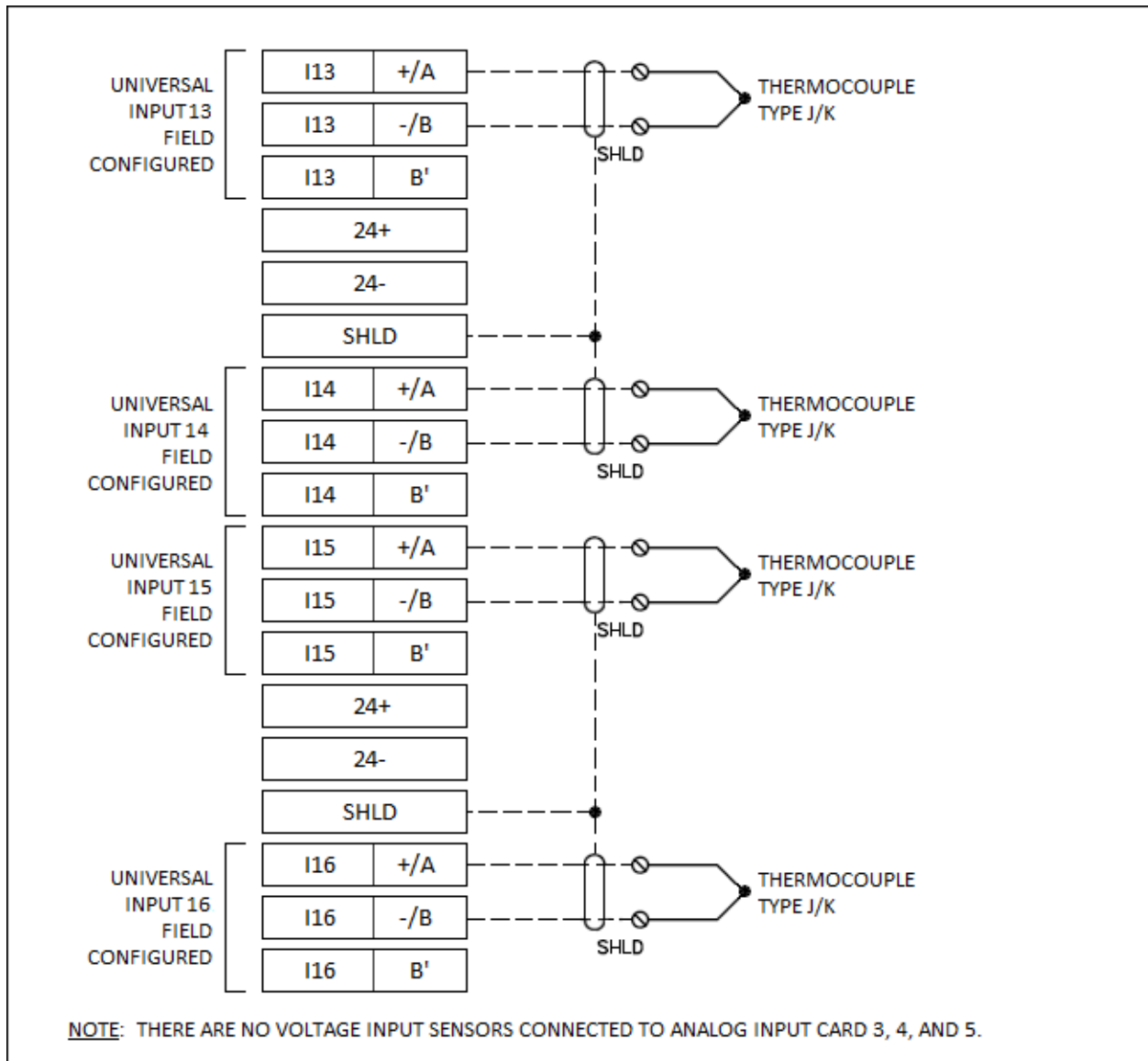
Connections (continued)

The third four universal input terminals with RTD 100 Ohm connections:



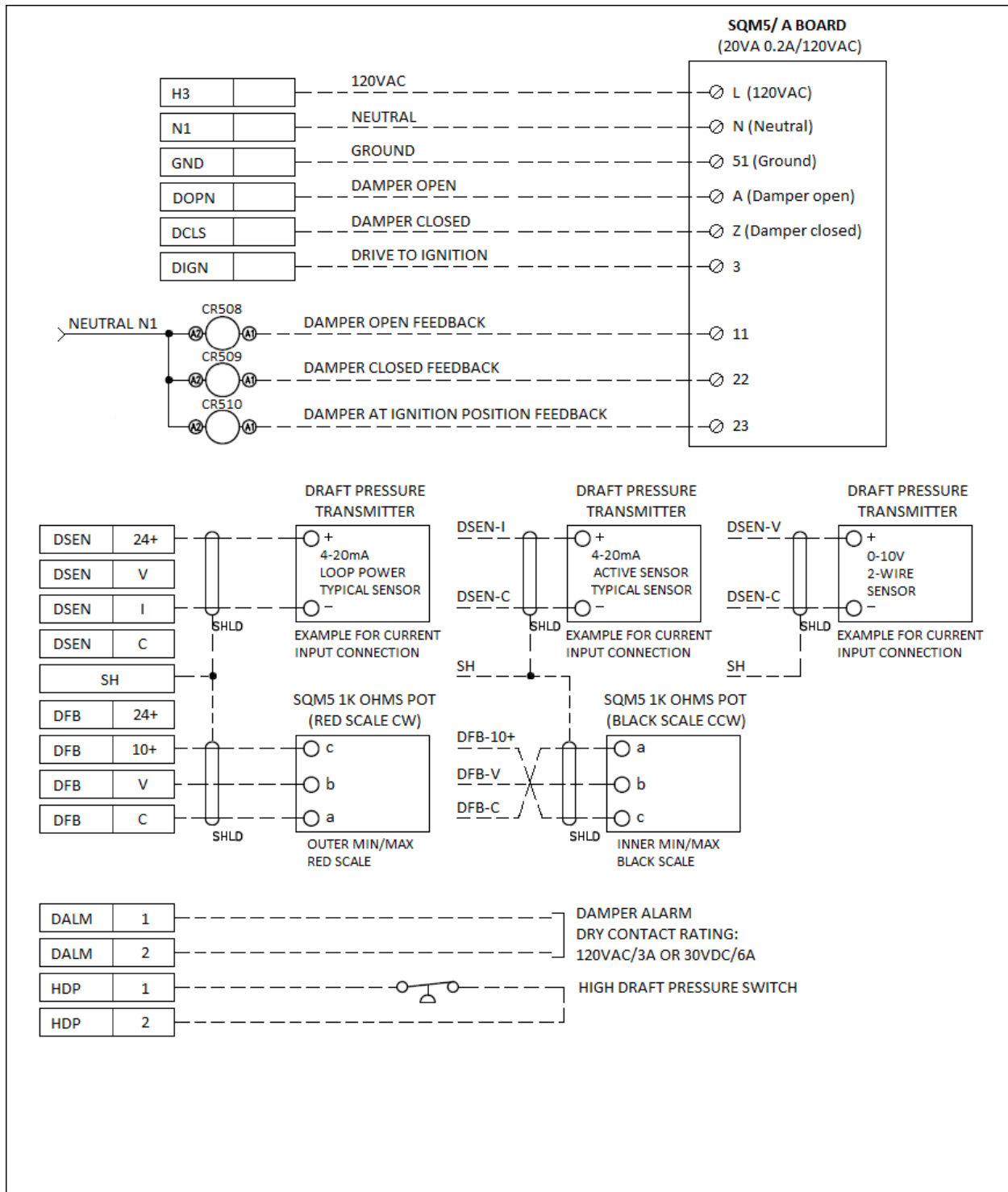
Connections (continued)

The third four universal input terminals with thermocouple type J/K example connections:



Connections (continued)

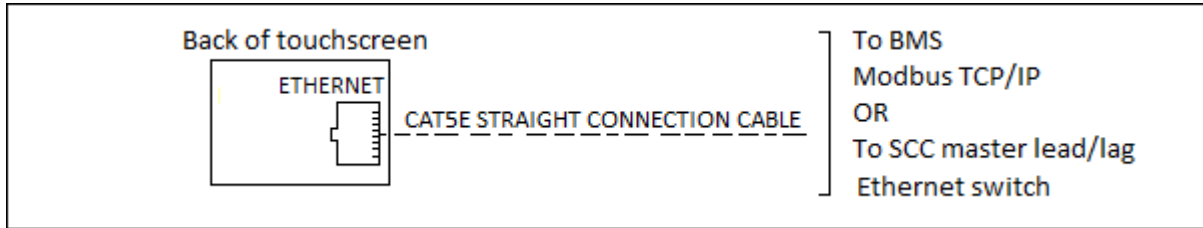
Draft Control:



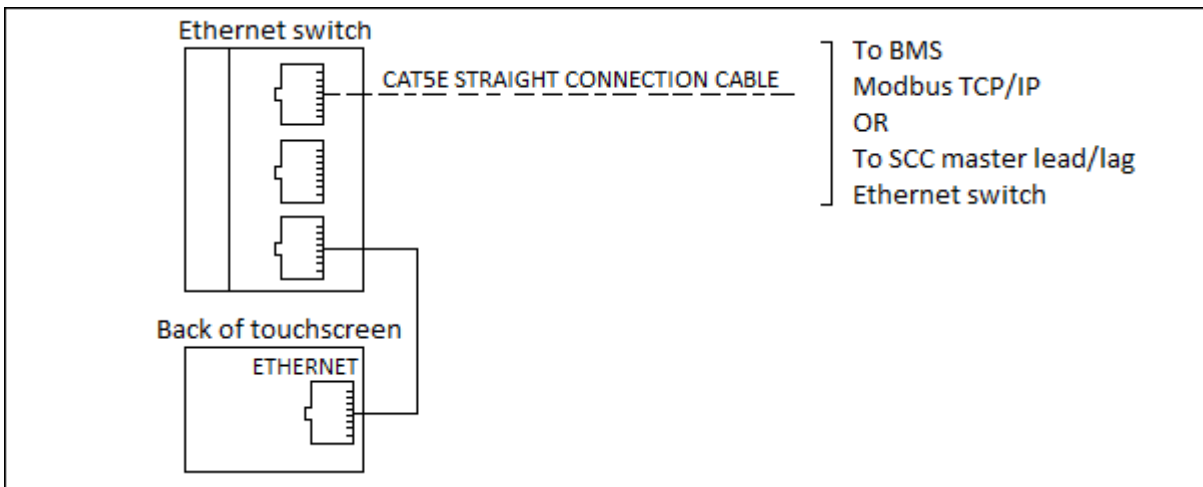
Connections (continued)

BMS Communications Connections

Standard Modbus TCP/IP:



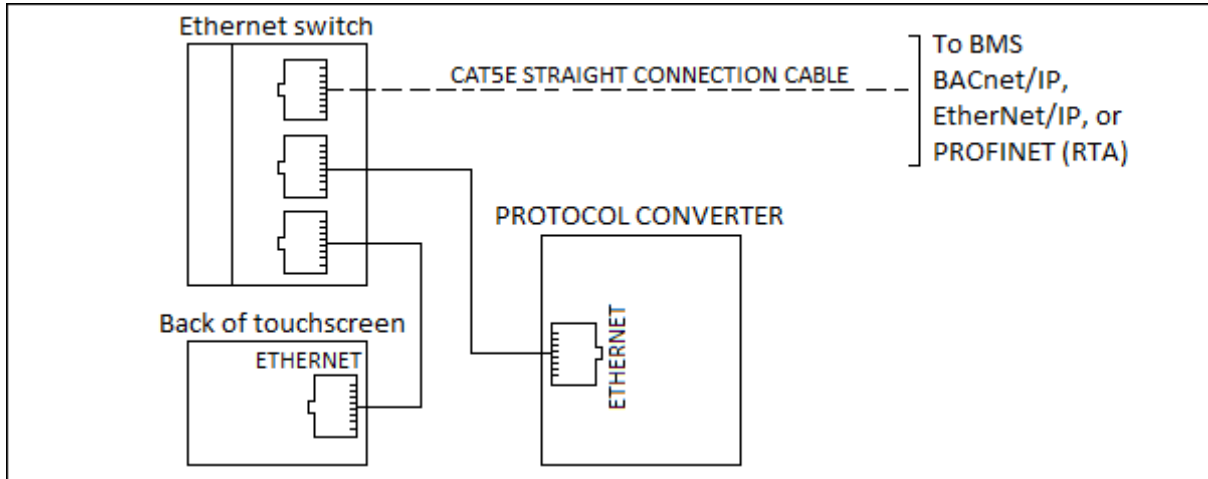
Standard Modbus TCP/IP with PLC annunciation:



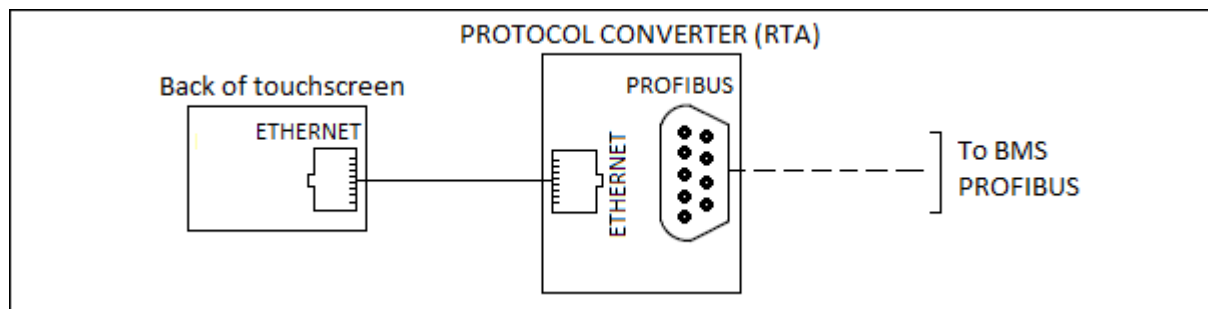
Connections (continued)

BMS Communications Connections

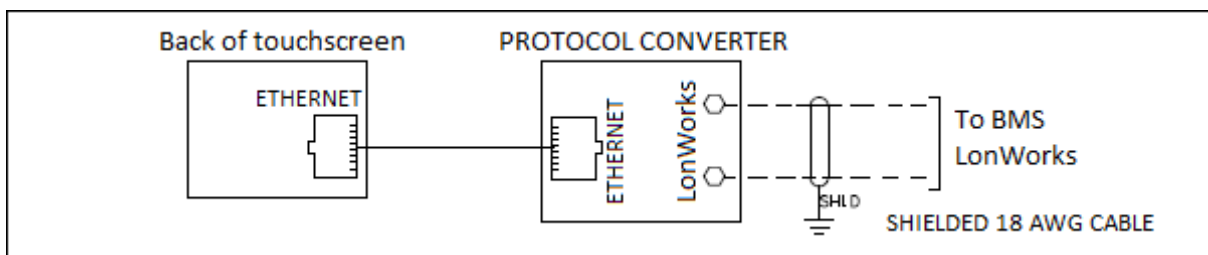
BACnet/IP, Ethernet/IP or PROFINET (RTA):



PROFIBUS:

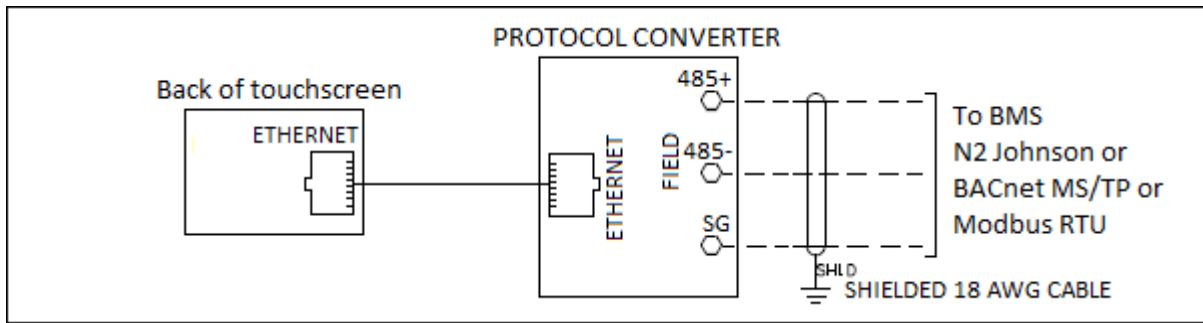


LonWorks:

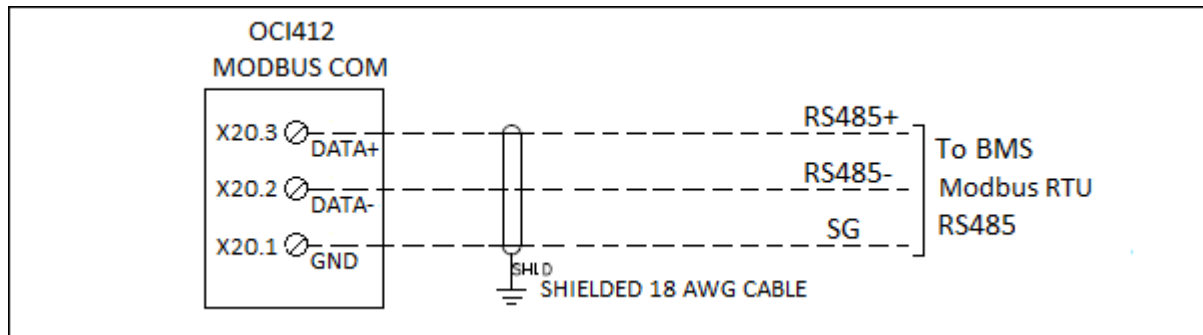


Connections (continued)

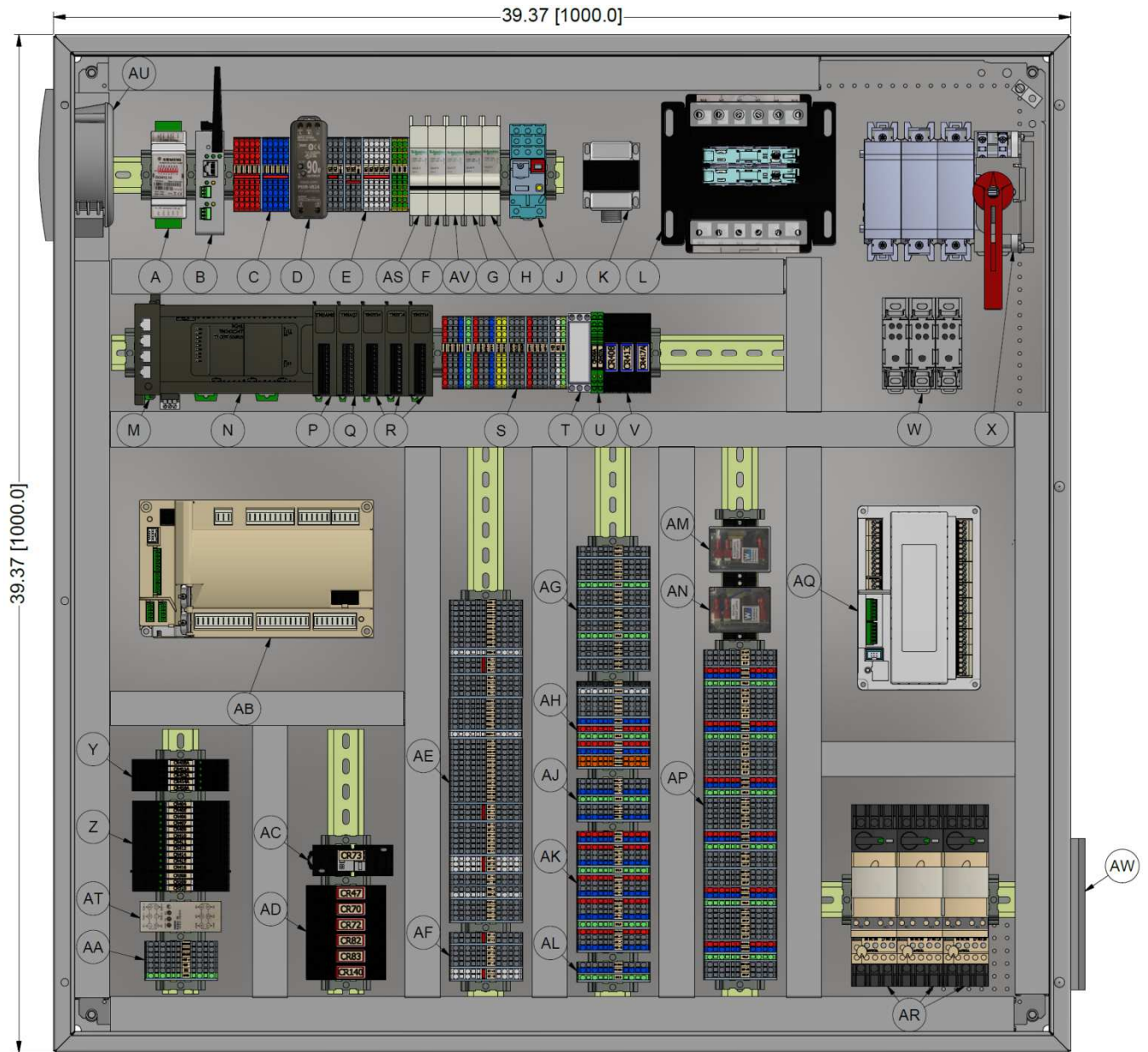
N2 Johnson Metasys, BACnet MS/TP, or Modbus RTU:



BMS Serial Connection, Modbus RTU RS485 connection without touchscreen:



Parts Descriptions



Parts Descriptions (continued)

A	OCI417.10	Standard Component
B	Protocol Converter	BMS Communication Other than Modbus TCP/IP
C	24 VDC Terminals	Standard Component
D	24 VDC Power Supply	Standard Component
E	120 VAC and Ground Terminals	Standard Component
F	1 Amp Draft Control Circuit Breaker	Draft Control
G	3 Amp Load Control and Water Level Control Circuit Breaker	Standard Component
H	10 Amp Main Circuit Breaker	Standard Component
J	Power Fail Relay	Standard Component
K	24 VAC SKB/C or D Transformer	Water Level Control
L	750/1000 VA Transformer	440 – 480 VAC
M	Ethernet Switch	Annunciation or BACnet/IP, or Ethernet/IP BMS Communication
N	Programmable Logic Controller (PLC)	Annunciation or Draft Control
P	Analog I/O Module	(4) Dedicated Analog Inputs and (2) Analog Outputs
Q	Analog Output Module	PLC Feedwater/Water Level or Circulating Pump VFD Control
R	Analog Input Module(s)	(4) Universal Inputs per Module
S	Draft Control Terminals	Draft Control
T	Off Delay Timer	Draft Control
U	24 VDC Solid State Relays	Draft Control
V	24 VDC DPDT Relays	Draft Control

W	Power Distribution Blocks	440 – 480 VAC
X	Disconnect Switch	Standard Component Fused with 440 – 480 VAC Non-Fused with 110 – 120 VAC
Y	24 VDC SPDT Output Relays	Annunciation
Z	120 VAC SPDT Relays	Annunciation/Draft Control
AA	Modbus RS232 and RS485 Terminals	Standard Component
AB	LMV3	Standard Component
AC	DPDT LMV3 Lockout Relay	Standard Component
AD	DPDT LMV3 Output Relays	Standard Component
AE	LMV3 Terminals (Safety Limit, Running Interlocks, Recycle Limits, Auxiliary Devices, Pilot and Gas Train, Ignition Transformer, Flame Detector)	Standard Component
AF	Oil Train Terminals	Dual Fuel/Single Fuel, Oil
AG	Load Control Terminals	Standard Component
AH	Water Level Control Terminals	Water Level Control
AJ	Analog Output Terminals	(4) Dedicated Analog Inputs and (2) Analog Outputs
AK	Dedicated Analog Input Terminals	(4) Dedicated Analog Inputs and (2) Analog Outputs
AL	PLC Feedwater/Water Level or Circulating Pump VFD Control Terminals	PLC Feedwater/Water Level or Circulating Pump VFD Control
AM	Automatic Reset Warrick Relay	Auto Reset Warrick Relay
AN	Manual Reset Warrick Relay	Manual Reset Warrick Relay
AP	Universal Input Terminals	(4), (8) or (12) Additional Universal Input Terminals
AQ	AGM60 Switch Unit	Dual Fuel
AR	Motor Starters	Up to (3) Motor Starters for Blower, Oil Pump or Compressor

Parts Descriptions (continued)

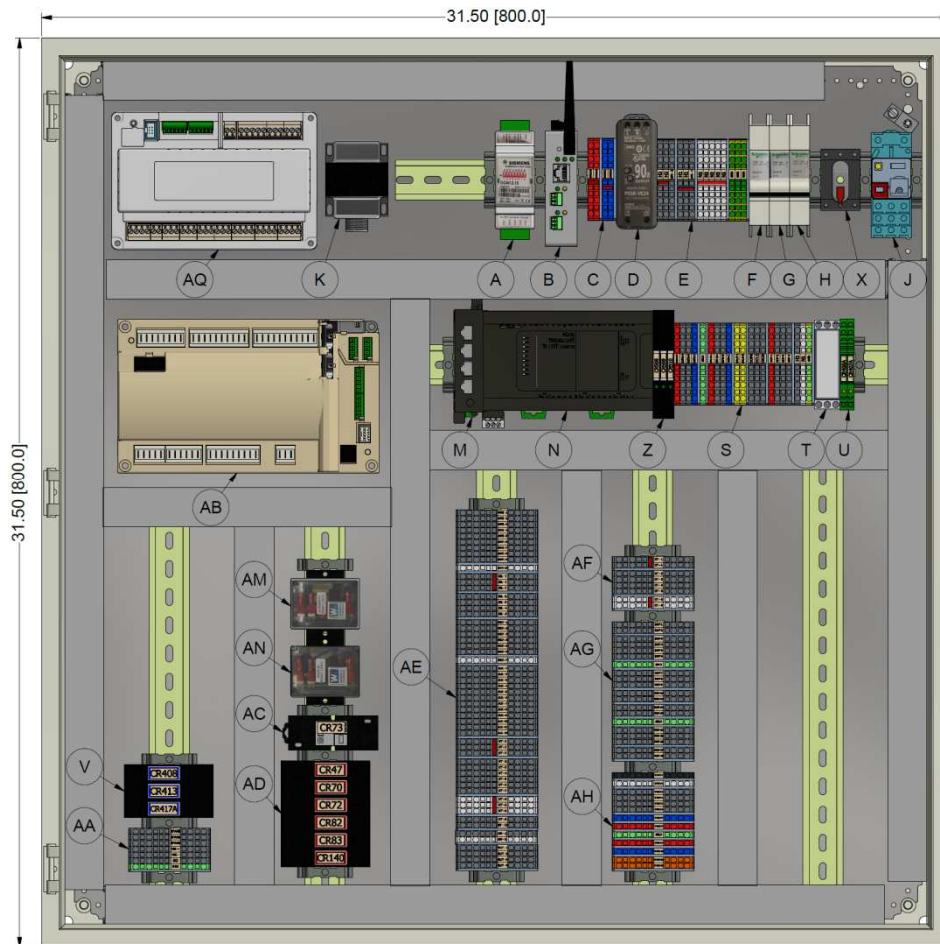
AS	1A RS232 to RS485 Converter Breaker	Modbus RTU RS485
AT	RS232 to RS485 Converter	Modbus RTU RS485
AU	Cooling Fan	Cooling Fan

AV	2A Cooling Fan Breaker	Cooling Fan
AW	Air Intake Filter	Cooling Fan

Combustion Enclosure Layouts

Reference pages 39-40 for item balloon descriptions
Lowercase "x" in part number denotes any selection
Dimensions in inches; millimeters in brackets

TS-CExx-xxxX-xxx-XXXX



TS-CED6-xD3X-Bx3-XXXX

Options for Kit in Enclosure	Dual Fuel Components (AF, AQ)	Water Level Control Components (K, AH)	*Draft Control Components (F, N, S, T, U, Z)	Warrick Relays (AM, AN)
TS-CEDx-xxxX-Bxx-XXXX	X			
TS-CEx6-xxxX-Bxx-XXXX		X		
TS-CExx-xDxX-Bxx-XXXX			X	
TS-CExx-xxxX-Bx3-XXXX				X

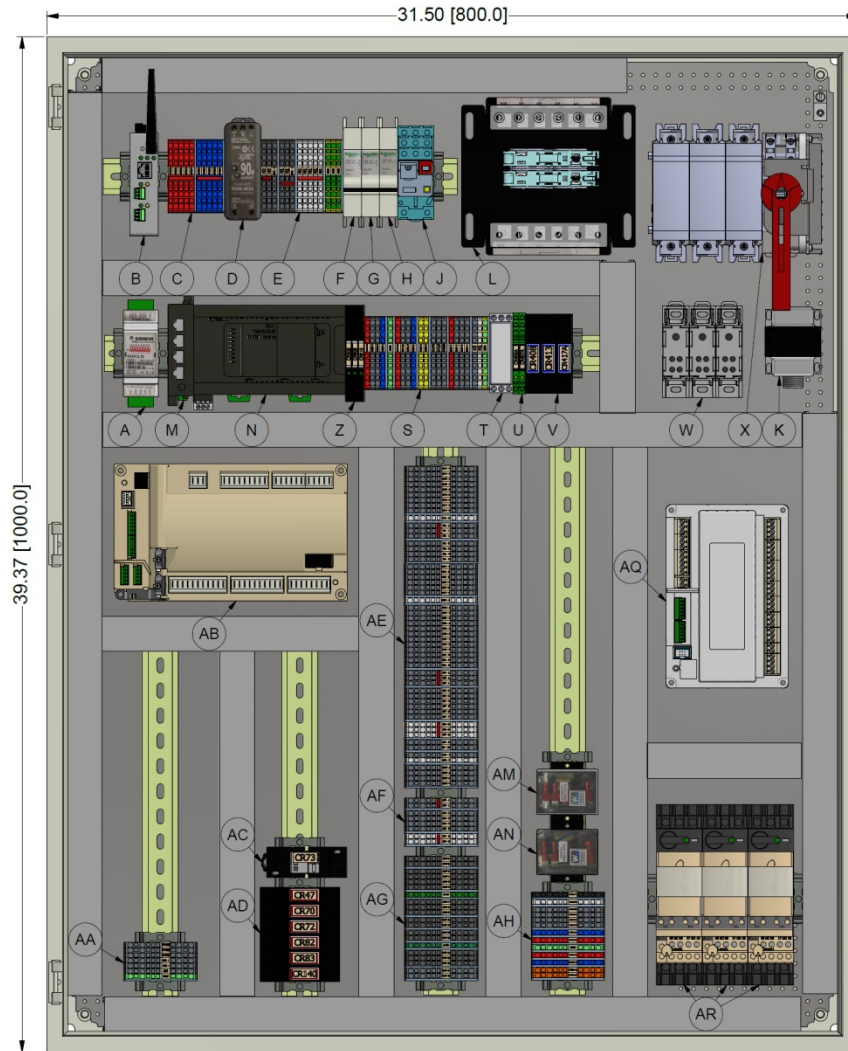
Notes:

24"x24" Enclosure used with (0-2) options

32"x32" Enclosure used with draft control or (3) options without draft control

* Option not available in 24"x24" enclosure

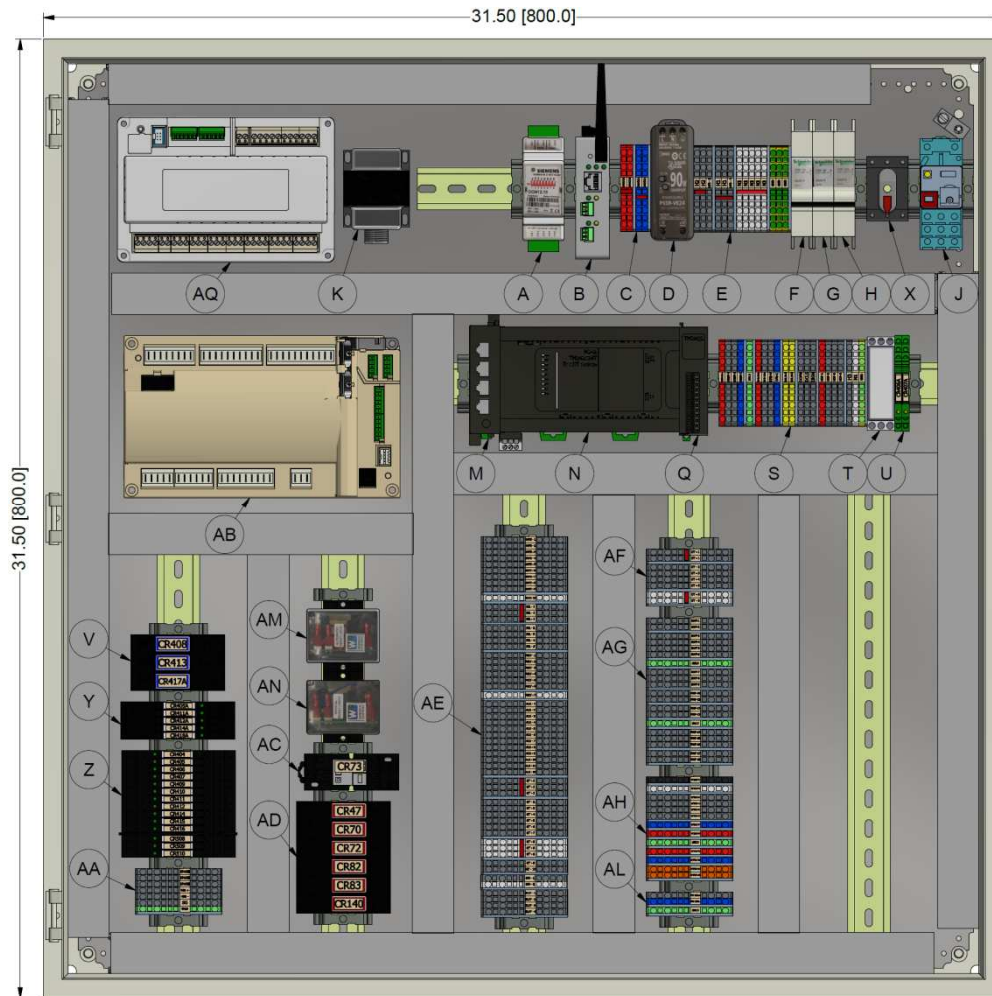
TS-CExx-xxxX-xxx-4xxx



TS-CED6-xD3X-Bx3-4CAC

Options for Kit in Enclosure	Dual Fuel Components (AF, AQ)	Water Level Control Components (K, AH)	Draft Control Components (F, N, S, T, U, Z)	Warrick Relays (AM, AN)	Motor Starters (AR)
TS-CE D x-xxxX-Bxx-4xxx	X				
TS-CE x6 -xxxX-Bxx-4xxx		X			
TS-CE xx -x D xX-Bxx-4xxx			X		
TS-CE xx -xxxX-B x3 -4xxx				X	
TS-CE xx -xxxX-Bxx-4 CAC					X

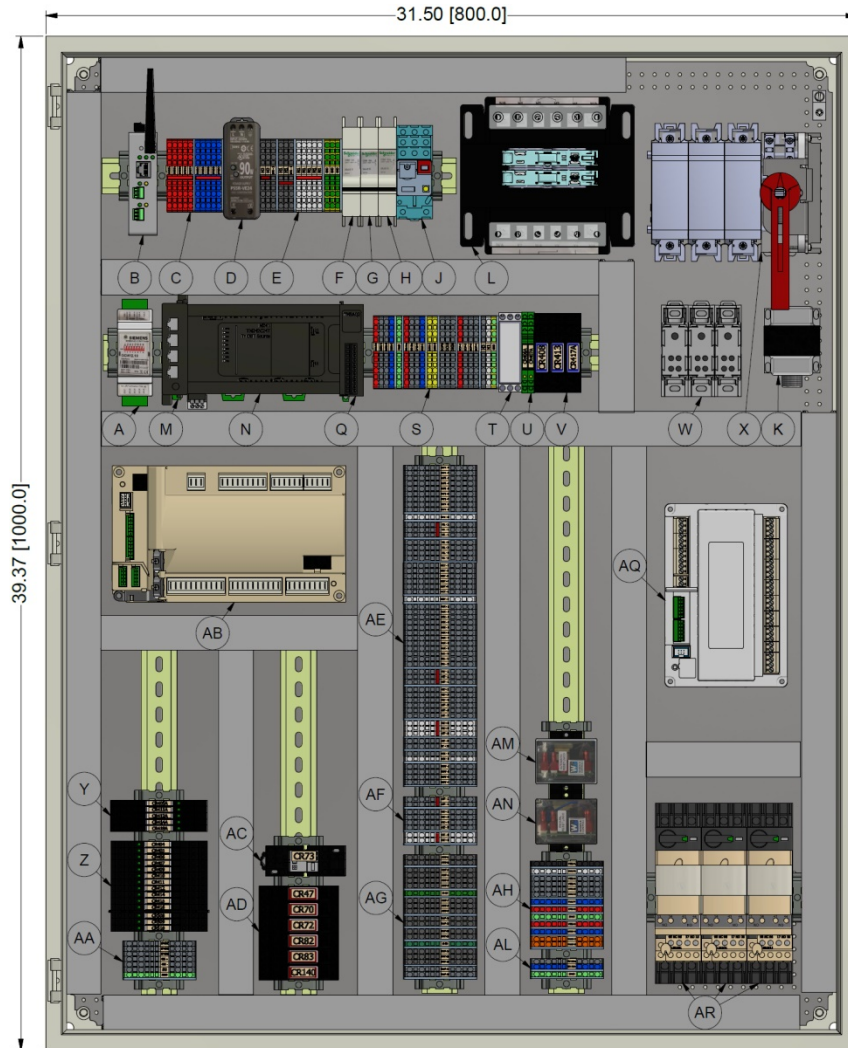
TS-CExx-xxxA-xxx-XXXX



TS-CED6-xD3A-Bx3-XXXX

Options for Kit in Enclosure	Dual Fuel Components (AF, AQ)	Water Level Control Components (K, AH)	Draft Control Components (F, S, T, U, V)	PLC Output Components (Q, AL)	Warrick Relays (AM, AN)
TS-CEDx-xxxA-Bxx-XXXX	X				
TS-CEx6-xxxA-Bxx-XXXX		X			
TS-CExx-xDxA-Bxx-XXXX			X		
TS-CExx-xx3A-Bxx-XXXX				X	
TS-CExx-xxxA-Bx3-XXXX					X

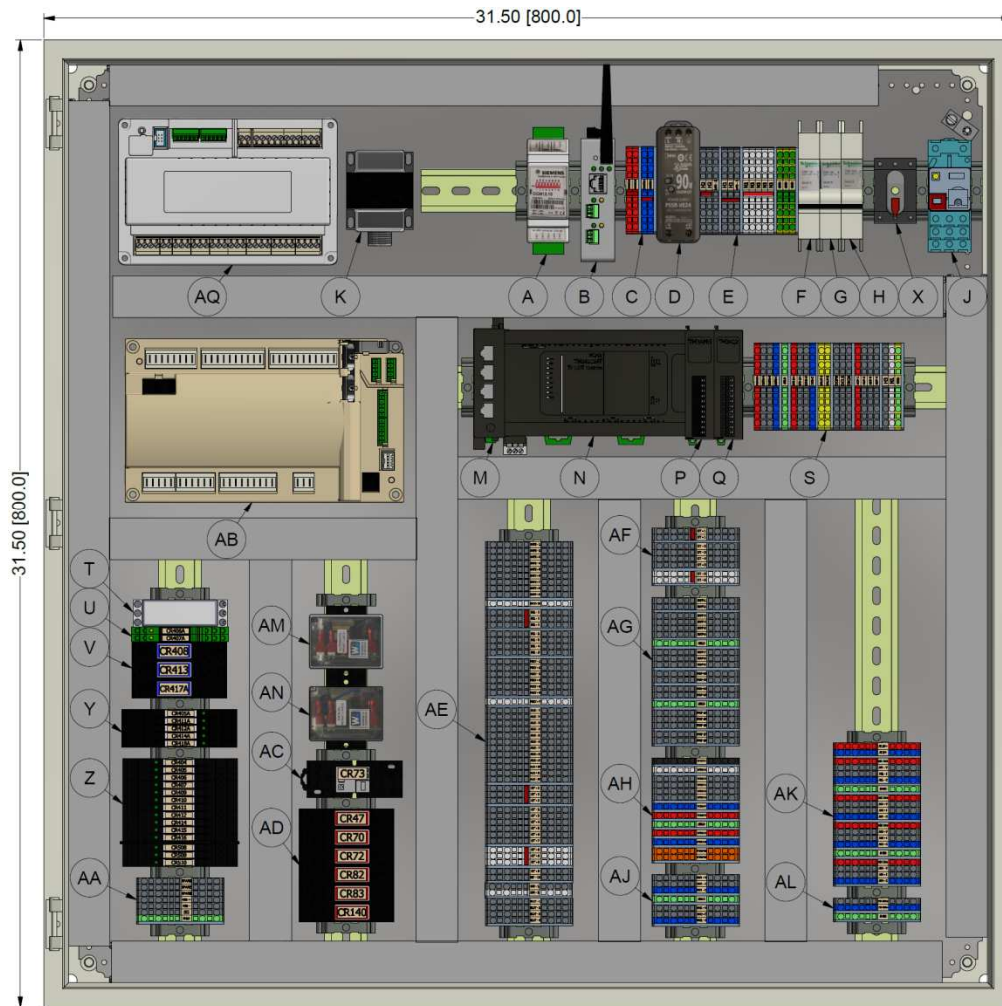
TS-CExx-xxxA-xxx-4xxx



TS-CED6-xD3A-Bx3-4CAC

Options for Kit in Enclosure	Dual Fuel Components (AF, AQ)	Water Level Control Components (K, AH)	Draft Control Components (F, S, T, U, V)	PLC Output Components (Q, AL)	Warrick Relays (AM, AN)	Motor Starters (AR)
TS-CE D x-xxxA-Bxx-4xxx	X					
TS-CE x6 -xxxA-Bxx-4xxx		X				
TS-CE xx-xD xA-Bxx-4xxx			X			
TS-CE xx-xx3 A-Bxx-4xxx				X		
TS-CE xx-xxx A-B x3 -4xxx					X	
TS-CE xx-xxx A-Bxx-4 CAC						X

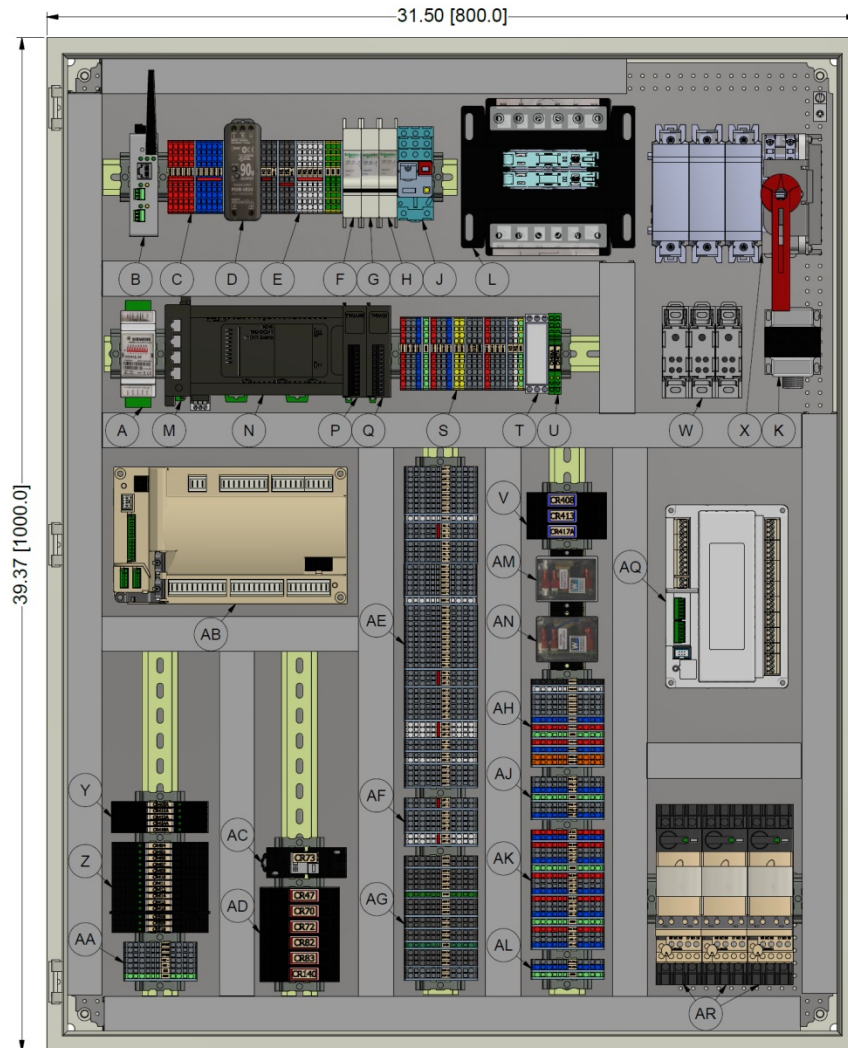
TS-CExx-xxxB-xxx-XXXX



TS-CED6-xD3B-Bx3-XXXX

Options for Kit in Enclosure	Dual Fuel Components (AF, AQ)	Water Level Control Components (K, AH)	Draft Control Components (F, S, T, U, V)	PLC Output Components (Q, AL)	Warrick Relays (AM, AN)
TS-CEDx-xxxB-Bxx-XXXX	X				
TS-CEx6-xxxB-Bxx-XXXX		X			
TS-CExx-xDxB-Bxx-XXXX			X		
TS-CExx-xx3B-Bxx-XXXX				X	
TS-CExx-xxxB-Bx3-XXXX					X

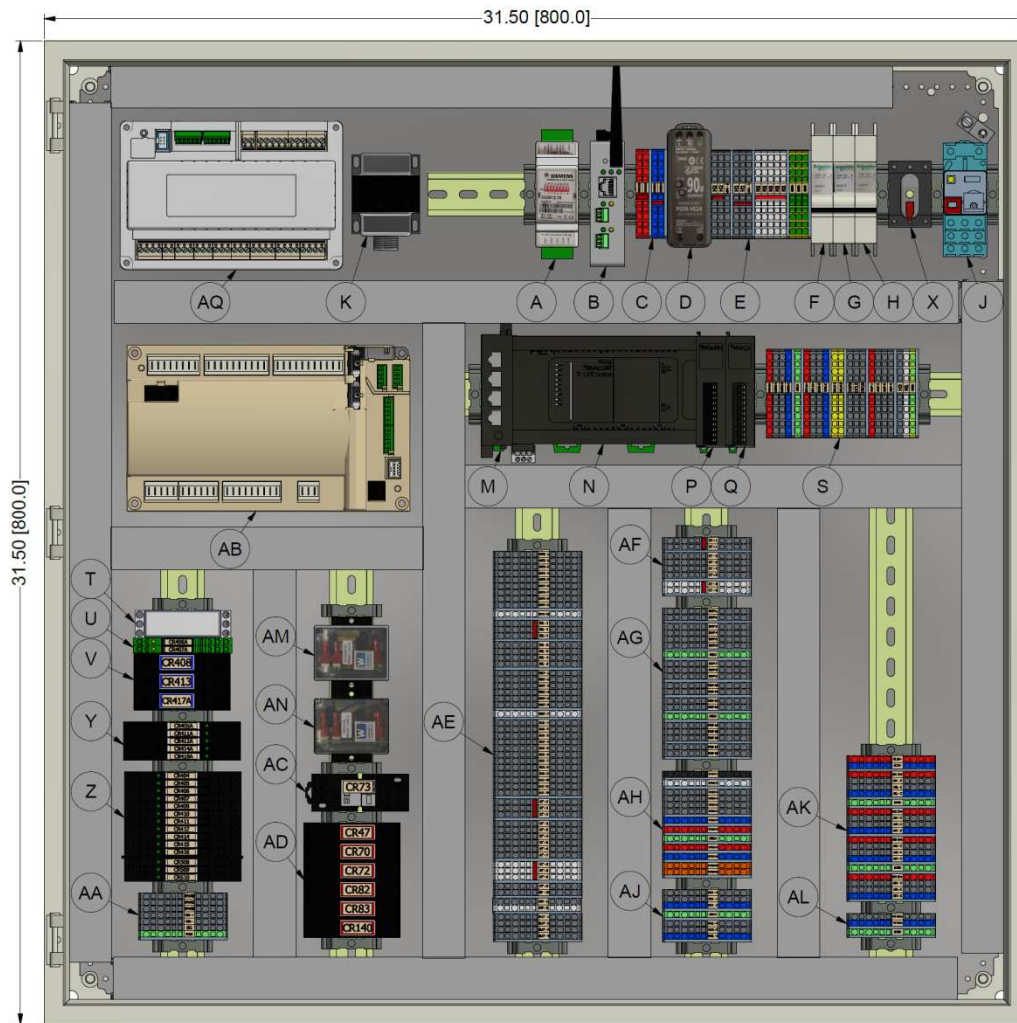
TS-CExx-xxxB-xxx-4xxx



TS-CED6-xD3B-Bx3-4CAC

Options for Kit in Enclosure	Dual Fuel Components (AF, AQ)	Water Level Control Components (K, AH)	Draft Control Components (F, S, T, U, V)	PLC Output Components (Q, AL)	Warrick Relays (AM, AN)	Motor Starters (AR)
TS-CE D x-xxxB-Bxx-4xxx	X					
TS-CE x6 -xxxB-Bxx-4xxx		X				
TS-CE xx-xD xB-Bxx-4xxx			X			
TS-CE xx-xx3B -Bxx-4xxx				X		
TS-CE xx-xxxB-Bx3 -4xxx					X	
TS-CE xx-xxxB-Bxx-4CAC						X

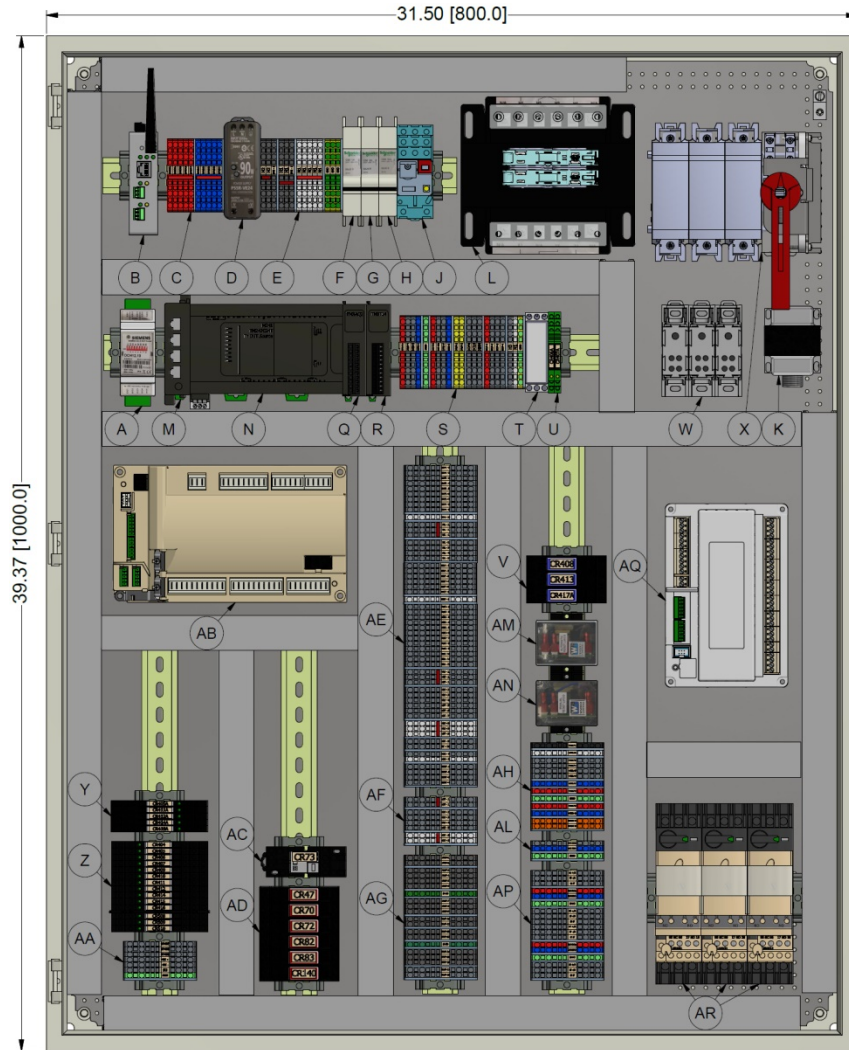
TS-CExx-xxxC-xxx-XXXX



TS-CED6-xD3C-Bx3-XXXX

Options for Kit in Enclosure	Dual Fuel Components (AF, AQ)	Water Level Control Components (K, AH)	Draft Control Components (F, S, T, U, V)	PLC Output Components (Q, AL)	Warrick Relays (AM, AN)
TS-CEDx-xxxC-Bxx-XXXX	X				
TS-CEx6-xxxC-Bxx-XXXX		X			
TS-CExx-xDxC-Bxx-XXXX			X		
TS-CExx-xx3C-Bxx-XXXX				X	
TS-CExx-xxxC-Bx3-XXXX					X

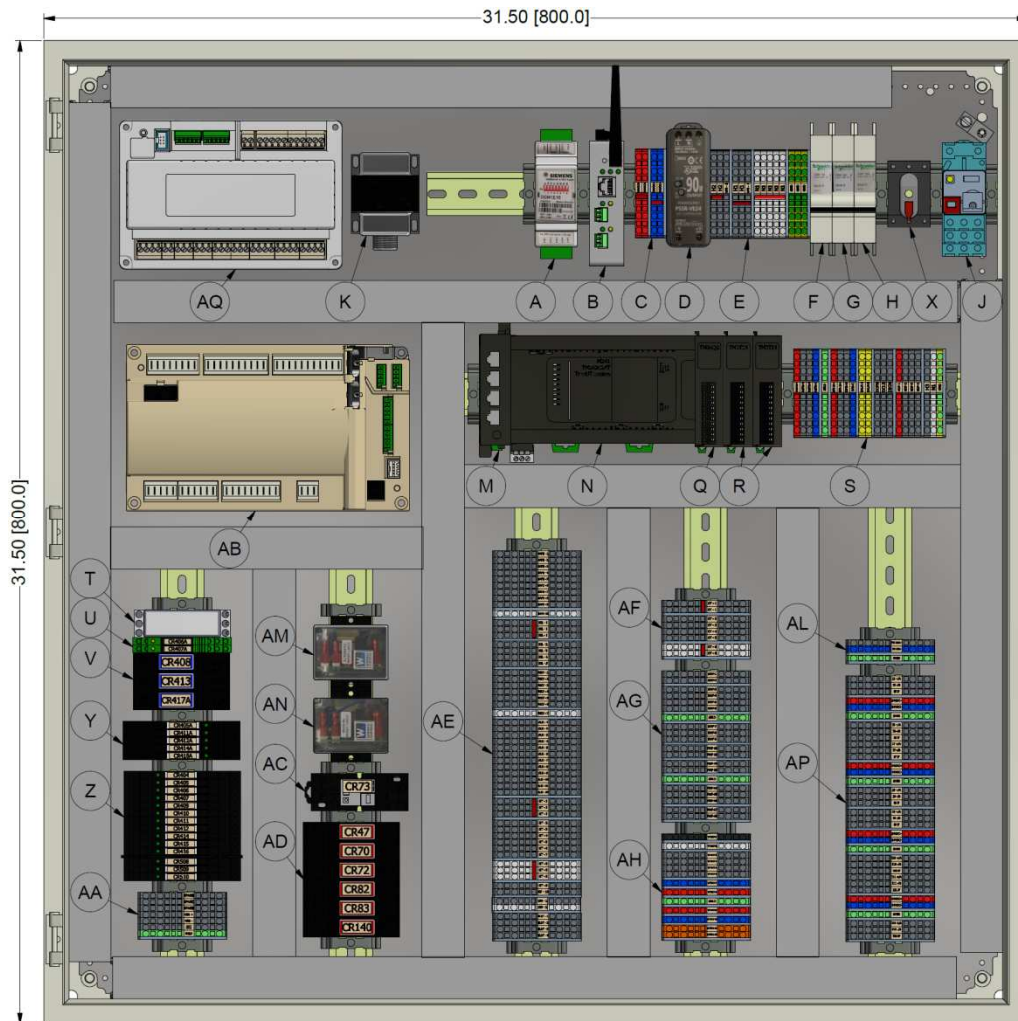
TS-CExx-xxxC-xxx-4xxx



TS-CED6-xD3C-Bx3-4CAC

Options for Kit in Enclosure	Dual Fuel Components (AF, AQ)	Water Level Control Components (K, AH)	Draft Control Components (F, S, T, U, V)	PLC Output Components (Q, AL)	Warrick Relays (AM, AN)	Motor Starters (AR)
TS-CE D x-xxx C -Bxx-4xxx	X					
TS-CE x6 -xxx C -Bxx-4xxx		X				
TS-CE xx -x D x C -Bxx-4xxx			X			
TS-CE xx -xx 3C -Bxx-4xxx				X		
TS-CE xx -xxx C -B x3 -4xxx					X	
TS-CE xx -xxx C -Bxx-4 CAC						X

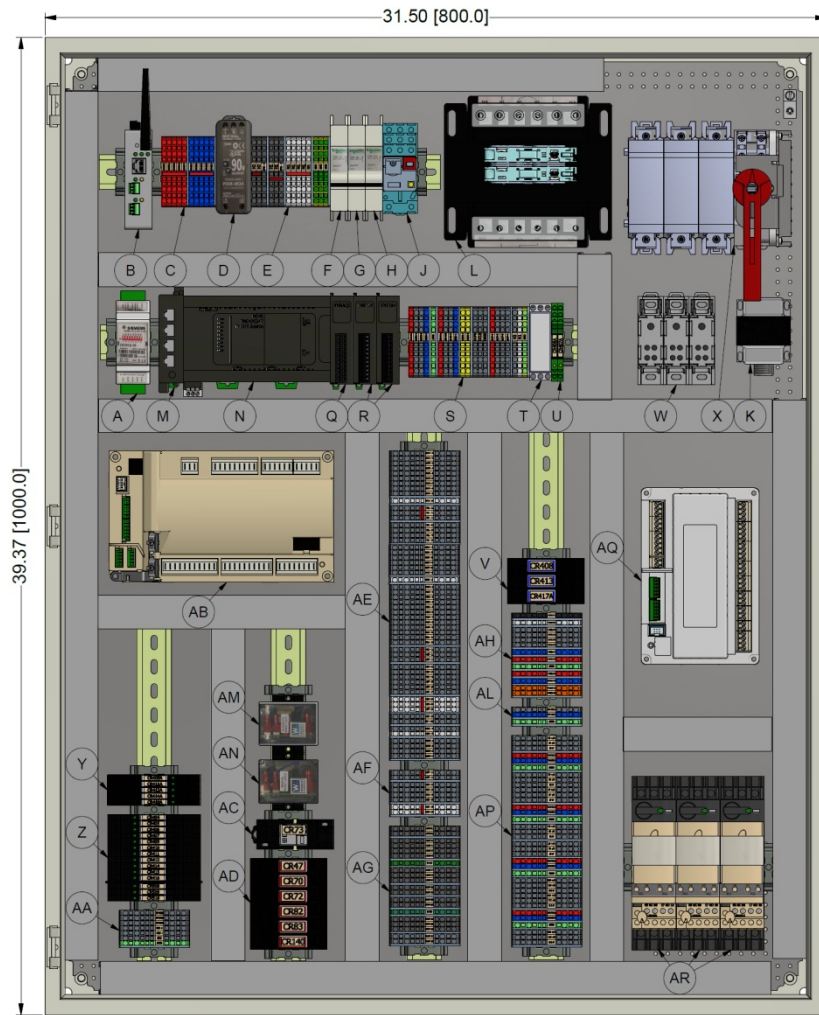
TS-CExx-xxxD-xxx-XXXX



TS-CED6-xD3D-Bx3-XXXX

Options for Kit in Enclosure	Dual Fuel Components (AF, AQ)	Water Level Control Components (K, AH)	Draft Control Components (F, S, T, U, V)	PLC Output Components (Q, AL)	Warrick Relays (AM, AN)
TS-CEDx-xxxD-Bxx-XXXX	X				
TS-CEx6-xxxD-Bxx-XXXX		X			
TS-CExx-xDxD-Bxx-XXXX			X		
TS-CExx-xx3D-Bxx-XXXX				X	
TS-CExx-xxxD-Bx3-XXXX					X

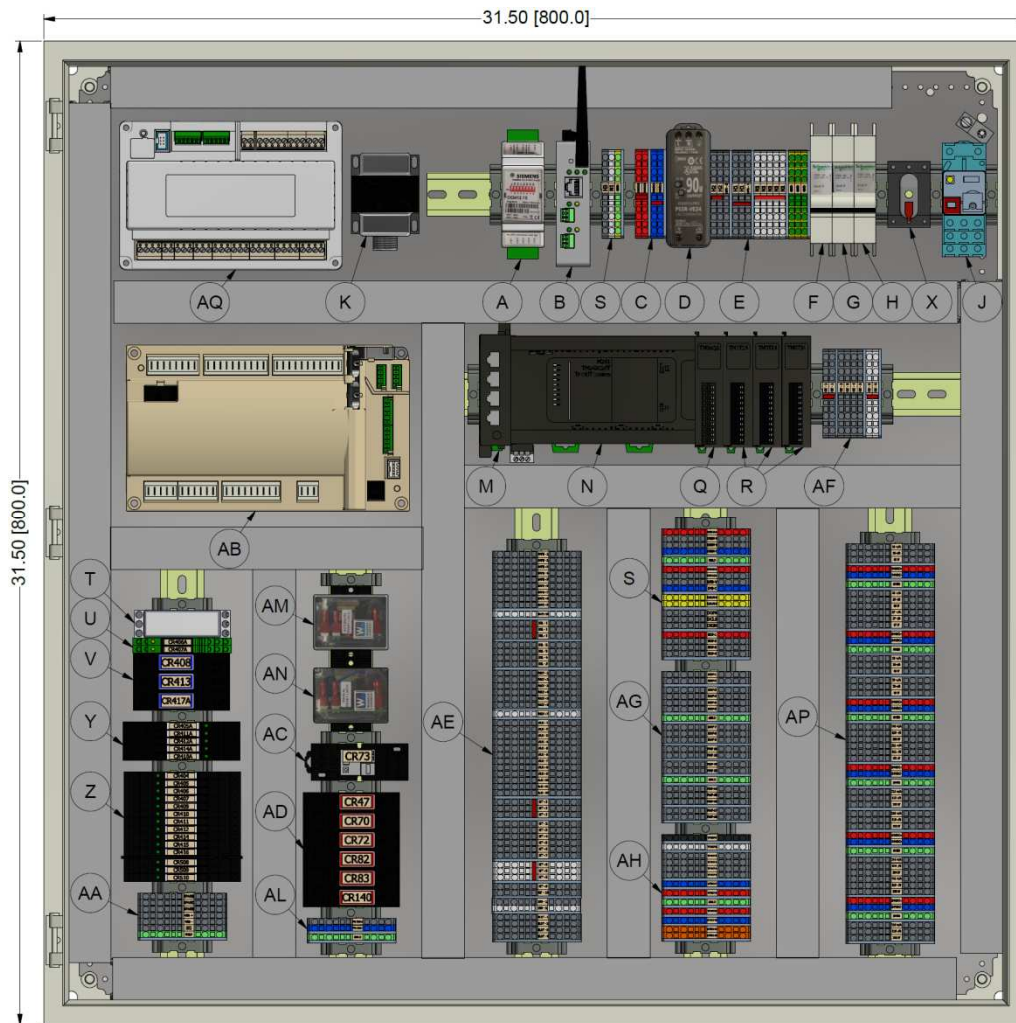
TS-CExx-xxxD-xxx-4xxx



TS-CED6-xD3D-Bx3-4CAC

Options for Kit in Enclosure	Dual Fuel Components (AF, AQ)	Water Level Control Components (K, AH)	Draft Control Components (F, S, T, U, V)	PLC Output Components (Q, AL)	Warrick Relays (AM, AN)	Motor Starters (AR)
TS-CEDx-xxxD-Bxx-4xxx	X					
TS-CEx6-xxxD-Bxx-4xxx		X				
TS-CExx-xDxD-Bxx-4xxx			X			
TS-CExx-xx3D-Bxx-4xxx				X		
TS-CExx-xxxD-Bx3-4xxx					X	
TS-CExx-xxxD-Bxx-4CAC						X

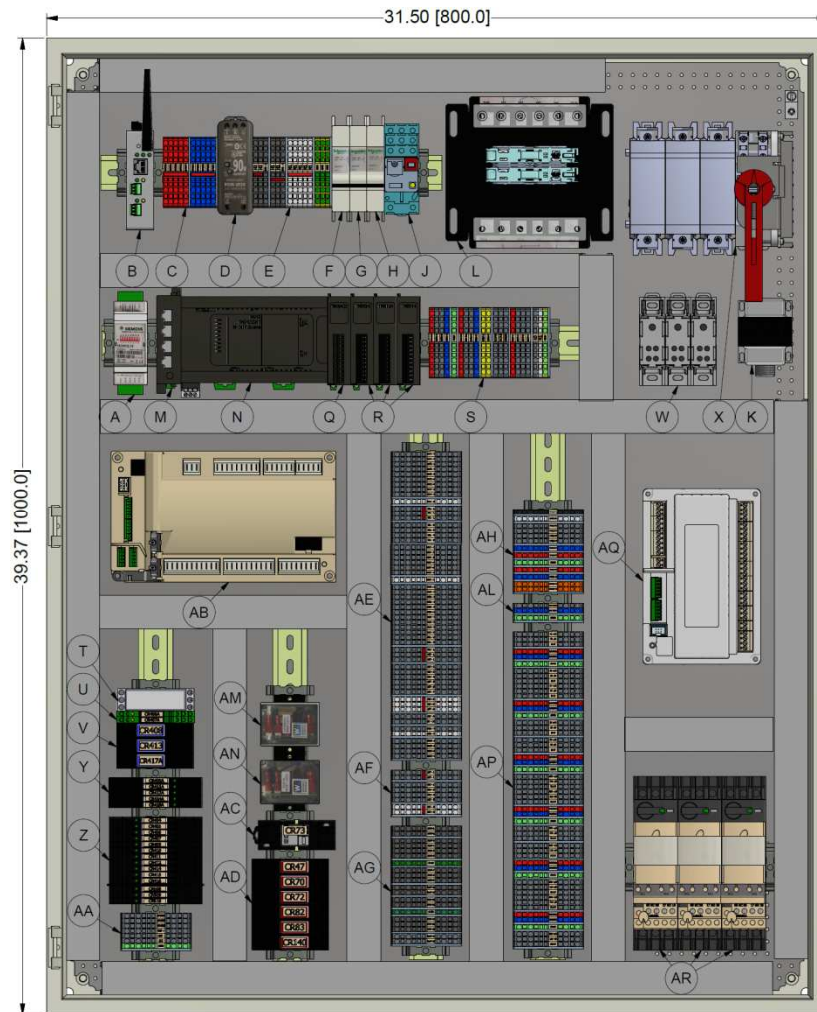
TS-CExx-xxxE-xxx-XXXX



TS-CED6-xD3E-Bx3-XXXX

Options for Kit in Enclosure	Dual Fuel Components (AF, AQ)	Water Level Control Components (K, AH)	Draft Control Components (F, S, T, U, V)	PLC Output Components (Q, AL)	Warrick Relays (AM, AN)
TS-CEDx-xxxE-Bxx-XXXX	X				
TS-CEx6-xxxE-Bxx-XXXX		X			
TS-CExx-xDxE-Bxx-XXXX			X		
TS-CExx-xx3E-Bxx-XXXX				X	
TS-CExx-xxxE-Bx3-XXXX					X

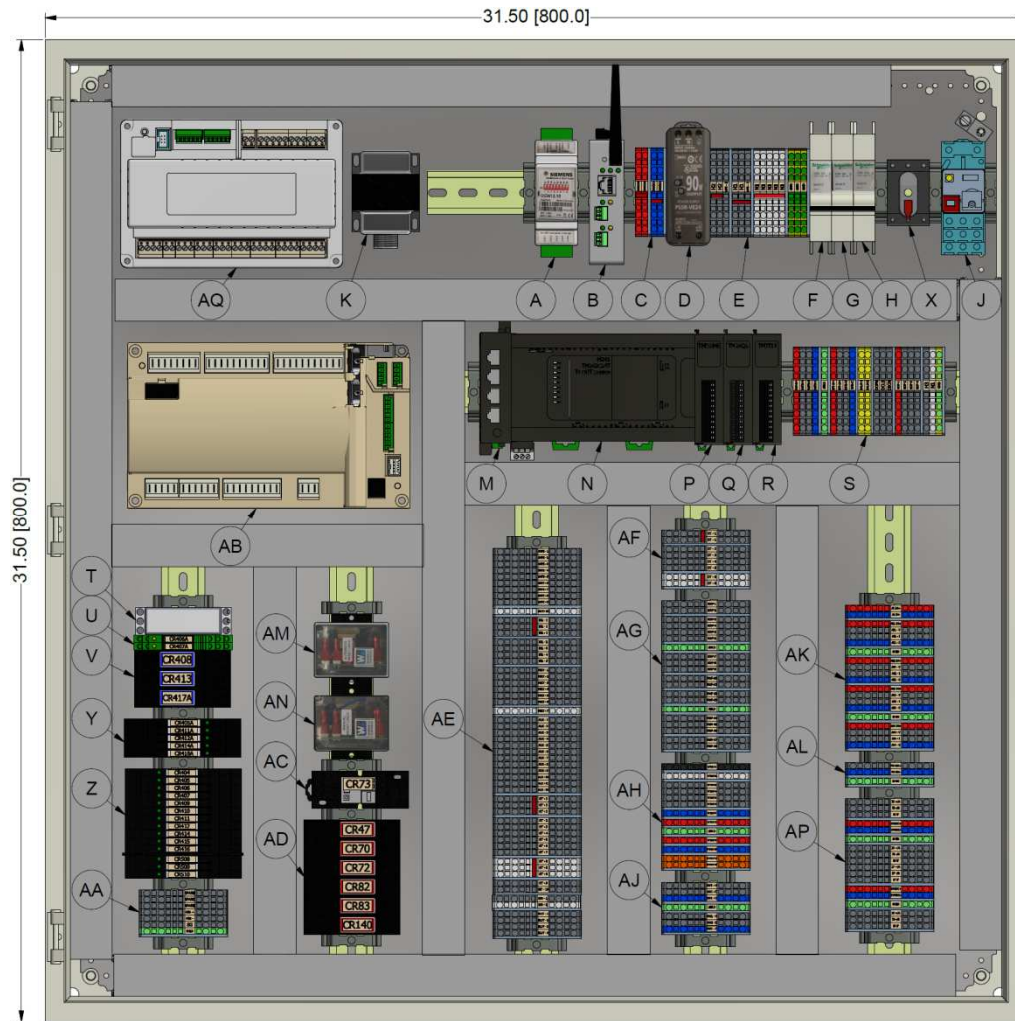
TS-CExx-xxxE-xxx-4xxx



TS-CED6-xD3E-Bx3-4CAC

Options for Kit in Enclosure	Dual Fuel Components (AF, AQ)	Water Level Control Components (K, AH)	Draft Control Components (F, S, T, U, V)	PLC Output Components (Q, AL)	Warrick Relays (AM, AN)	Motor Starters (AR)
TS-CEDx-xxxE-Bxx-4xxx	X					
TS-CEx6-xxxE-Bxx-4xxx		X				
TS-CExx-xDxE-Bxx-4xxx			X			
TS-CExx-xx3E-Bxx-4xxx				X		
TS-CExx-xxxE-Bx3-4xxx					X	
TS-CExx-xxxE-Bxx-4CAC						X

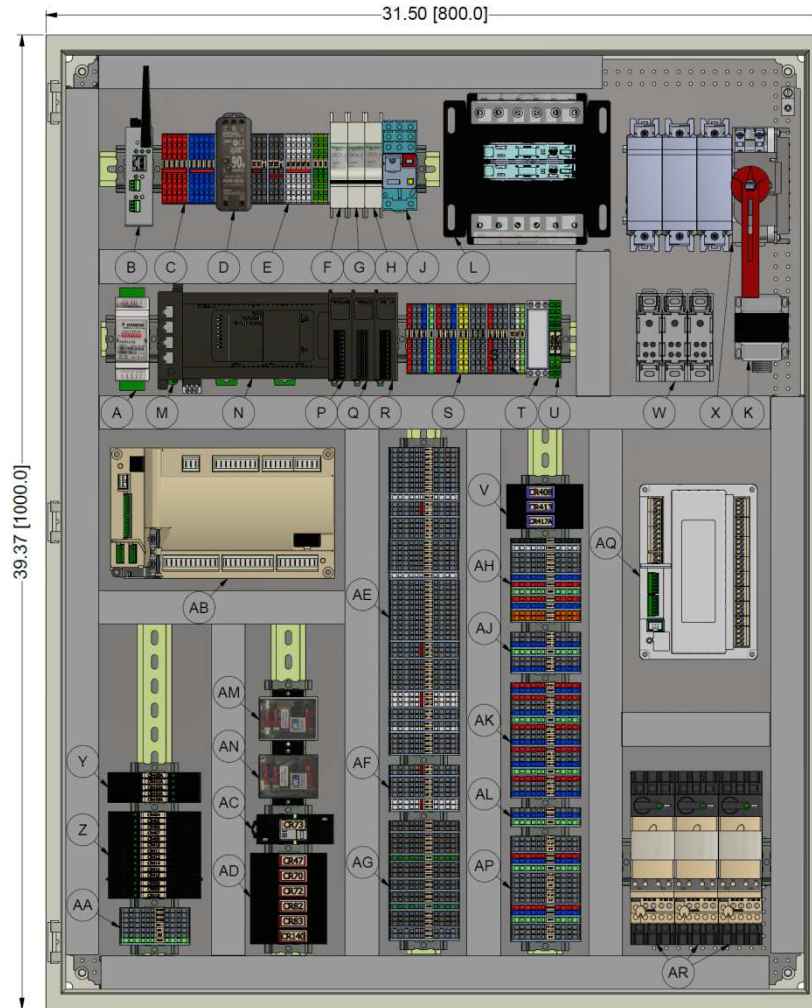
TS-CExx-xxxF-xxx-XXXX



TS-CED6-xD3F-Bx3-XXXX

Options for Kit in Enclosure	Dual Fuel Components (AF, AQ)	Water Level Control Components (K, AH)	Draft Control Components (F, S, T, U, V)	PLC Output Components (Q, AL)	Warrick Relays (AM, AN)
TS-CEDx-xxxF-Bxx-XXXX	X				
TS-CEx6-xxxF-Bxx-XXXX		X			
TS-CExx-xDxF-Bxx-XXXX			X		
TS-CExx-xx3F-Bxx-XXXX				X	
TS-CExx-xxxF-Bx3-XXXX					X

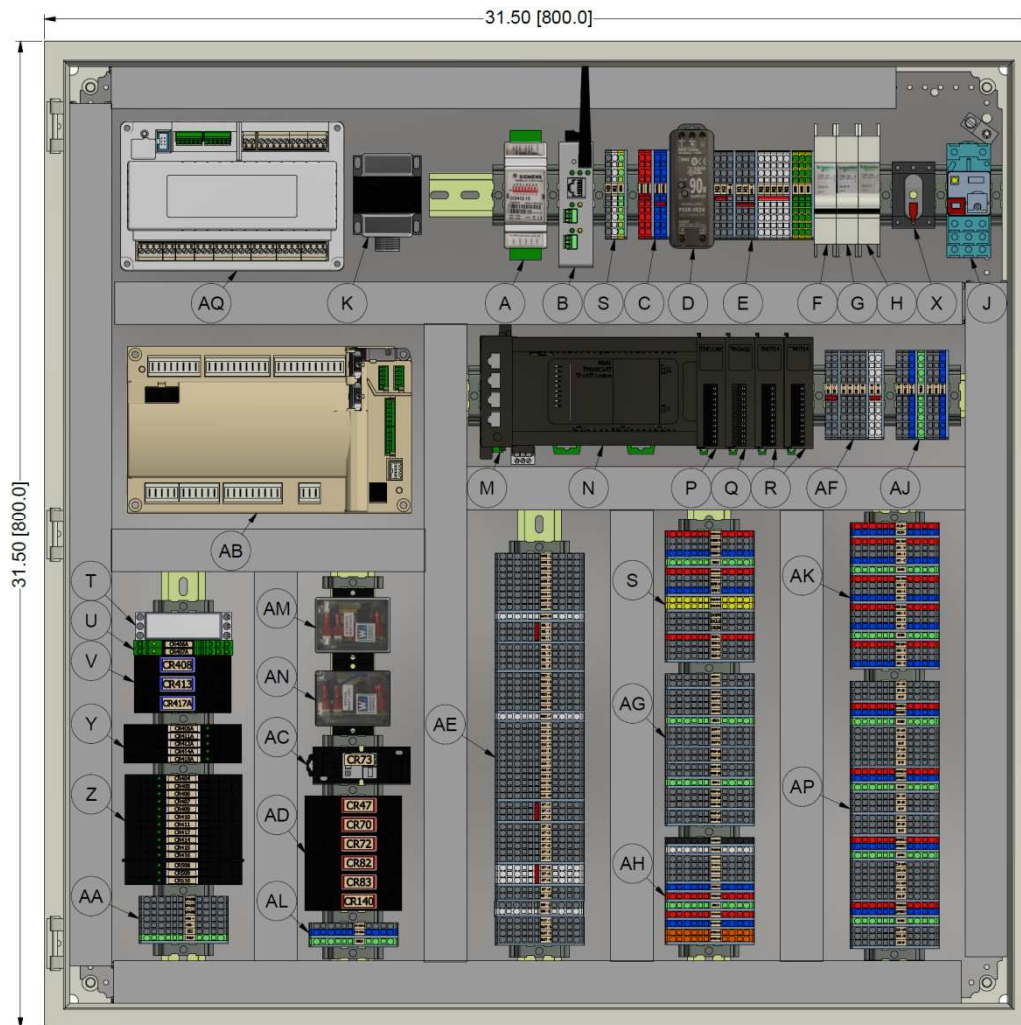
TS-CExx-xxxF-xxx-4xxx



TS-CED6-xD3F-Bx3-4CAC

Options for Kit in Enclosure	Dual Fuel Components (AF, AQ)	Water Level Control Components (K, AH)	Draft Control Components (F, S, T, U, V)	PLC Output Components (Q, AL)	Warrick Relays (AM, AN)	Motor Starters (AR)
TS-CE D x-xxxF-Bxx-4xxx	X					
TS-CE x6 -xxxF-Bxx-4xxx		X				
TS-CExx-x D xF-Bxx-4xxx			X			
TS-CExx-xx 3 F-Bxx-4xxx				X		
TS-CExx-xxxF-B x3 -4xxx					X	
TS-CExx-xxxF-Bxx-4 CAC						X

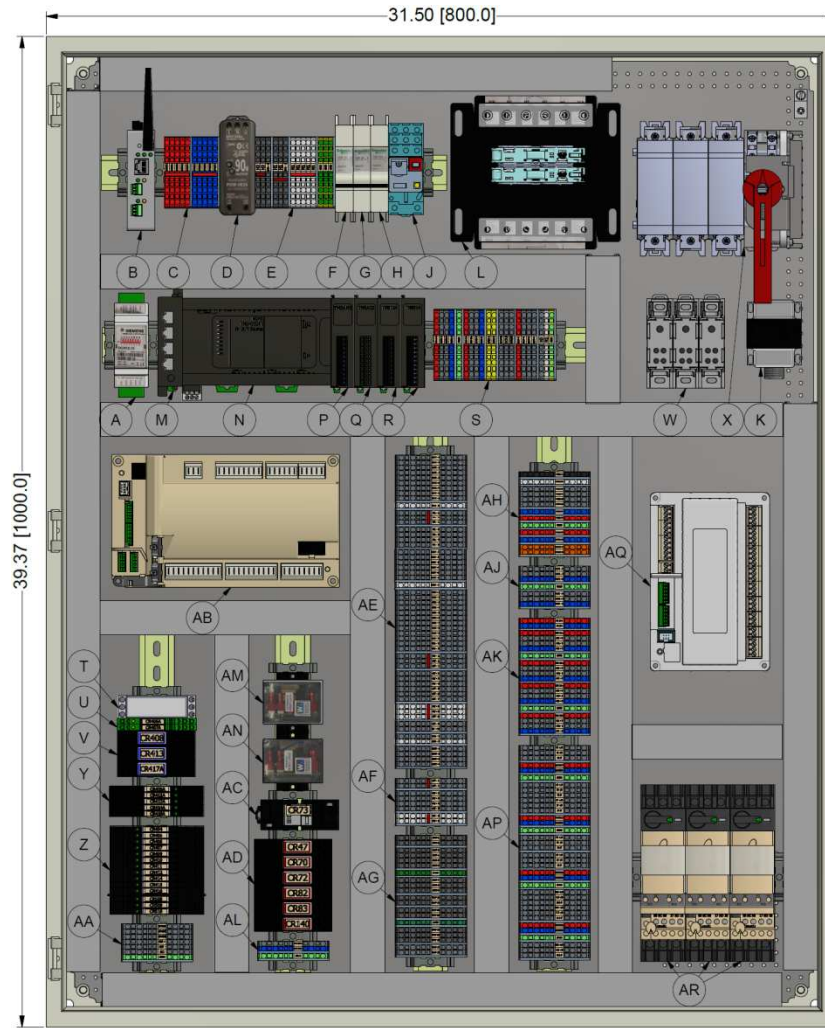
TS-CExx-xxxG-xxx-XXXX



TS-CED6-xD3G-Bx3-XXXX

Options for Kit in Enclosure	Dual Fuel Components (AF, AQ)	Water Level Control Components (K, AH)	Draft Control Components (F, S, T, U, V)	PLC Output Components (Q, AL)	Warrick Relays (AM, AN)
TS-CEDx-xxxG-Bxx-XXXX	X				
TS-CEx6-xxxG-Bxx-XXXX		X			
TS-CExx-xDxG-Bxx-XXXX			X		
TS-CExx-xx3G-Bxx-XXXX				X	
TS-CExx-xxxG-Bx3-XXXX					X

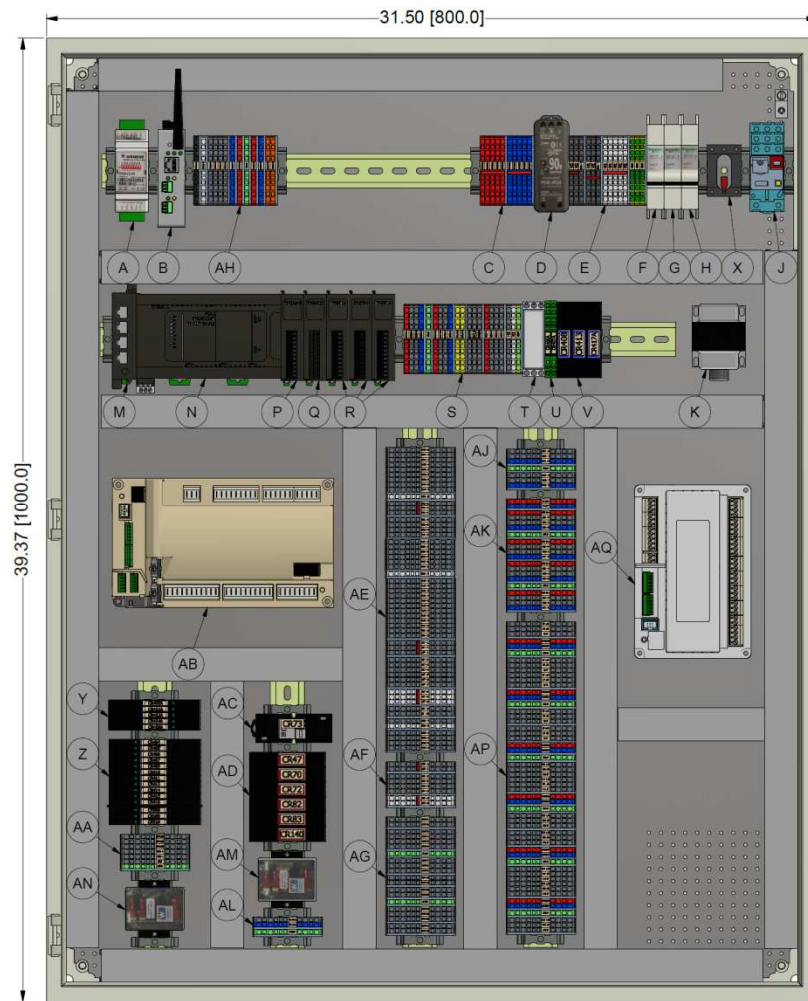
TS-CExx-xxxG-xxx-4xxx



TS-CED6-xD3G-Bx3-4CAC

Options for Kit in Enclosure	Dual Fuel Components (AF, AQ)	Water Level Control Components (K, AH)	Draft Control Components (F, S, T, U, V)	PLC Output Components (Q, AL)	Warrick Relays (AM, AN)	Motor Starters (AR)
TS-CEDx-xxxG-Bxx-4xxx	X					
TS-CEx6-xxxG-Bxx-4xxx		X				
TS-CExx-xDxG-Bxx-4xxx			X			
TS-CExx-xx3G-Bxx-4xxx				X		
TS-CExx-xxxG-Bx3-4xxx					X	
TS-CExx-xxxG-Bxx-4CAC						X

TS-CExx-xxxH-xxx-XXXX



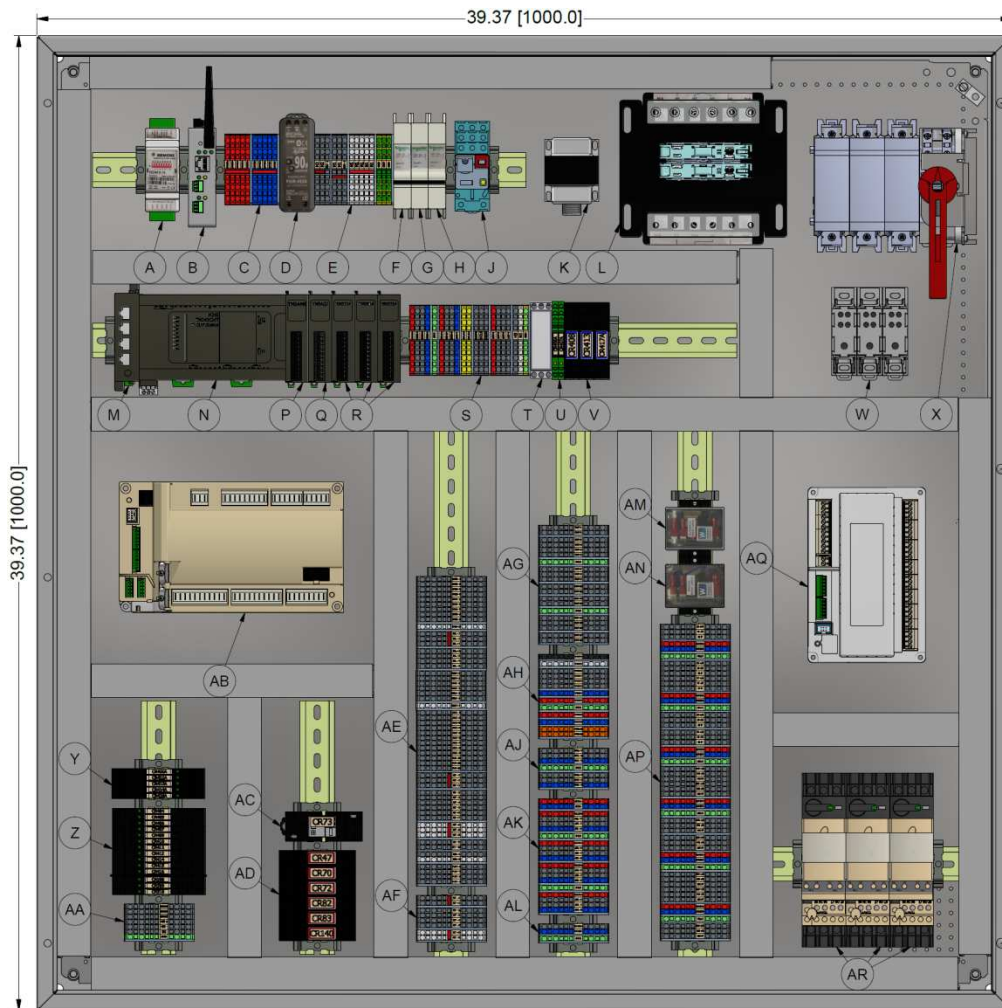
TS-CED6-xD3H-Bx3-XXXX

Options for Kit in Enclosure	Dual Fuel Components (AF, AQ)	Water Level Control Components (K, AH)	Draft Control Components (F, S, T, U, V)	PLC Output Components (Q, AL)	Warrick Relays (AM, AN)
TS-CEDx-xxxH-Bxx-XXXX	X				
TS-CEx6-xxxH-Bxx-XXXX		X			
TS-CExx-xDxH-Bxx-XXXX			X		
TS-CExx-xx3H-Bxx-XXXX				X	
TS-CExx-xxxH-Bx3-XXXX					X

Notes:

32"x32" Enclosure used with (0-3) options
40"x32" Enclosure used with (4) or more options

TS-CExx-xxxH-xxx-4xxx



TS-CED6-xD3H-Bx3-4CAC

Options for Kit in Enclosure	Dual Fuel Components (AF, AQ)	Water Level Control Components (K, AH)	Draft Control Components (F, S, T, U, V)	PLC Output Components (Q, AL)	Warrick Relays (AM, AN)	Motor Starters (AR)
TS-CEDx-xxxH-Bxx-4xxx	X					
TS-CEx6-xxxH-Bxx-4xxx		X				
TS-CExx-xDxH-Bxx-4xxx			X			
TS-CExx-xx3H-Bxx-4xxx				X		
TS-CExx-xxxH-Bx3-4xxx					X	
TS-CExx-xxxH-Bxx-4CAC						X

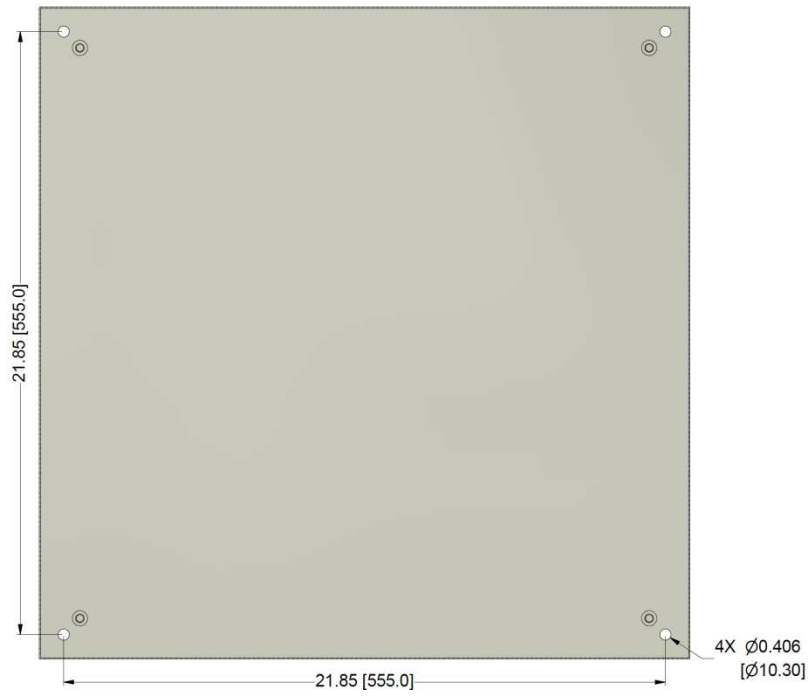
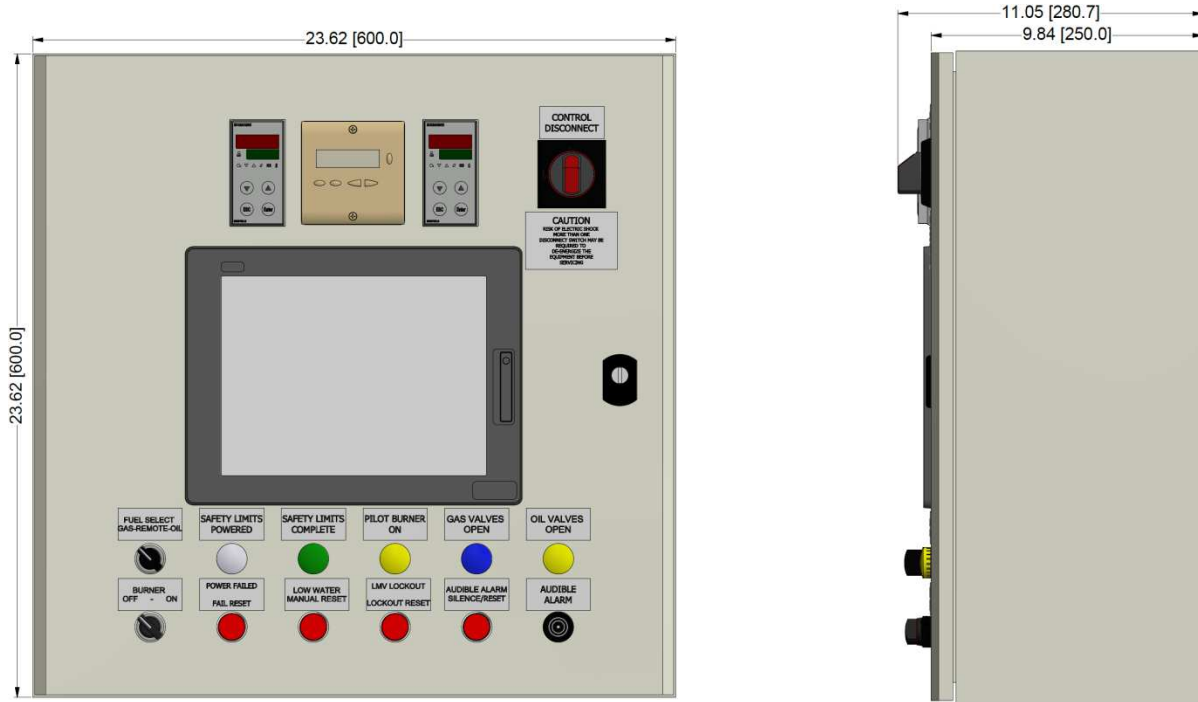
Notes:

40"x32" Enclosure used with (0-5) options

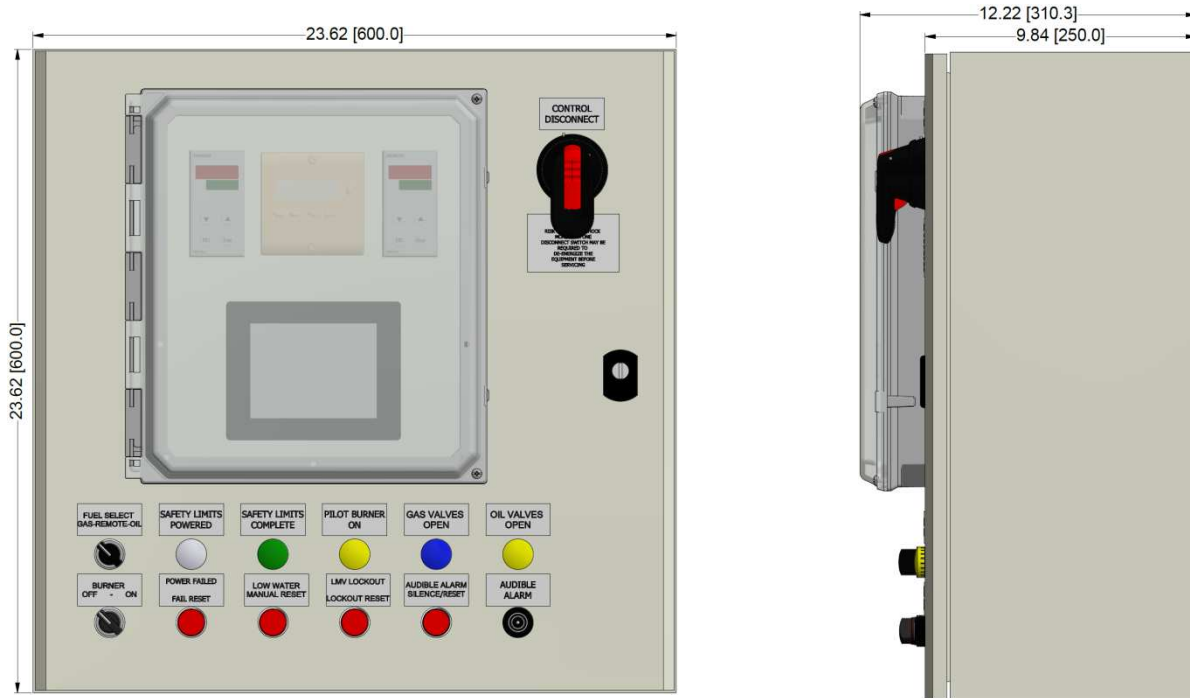
40"x40" Enclosure used with (6) options

24" X 24" X 10" Enclosure Dimensions

TS-CED6-2xxx-x1x-xxxx

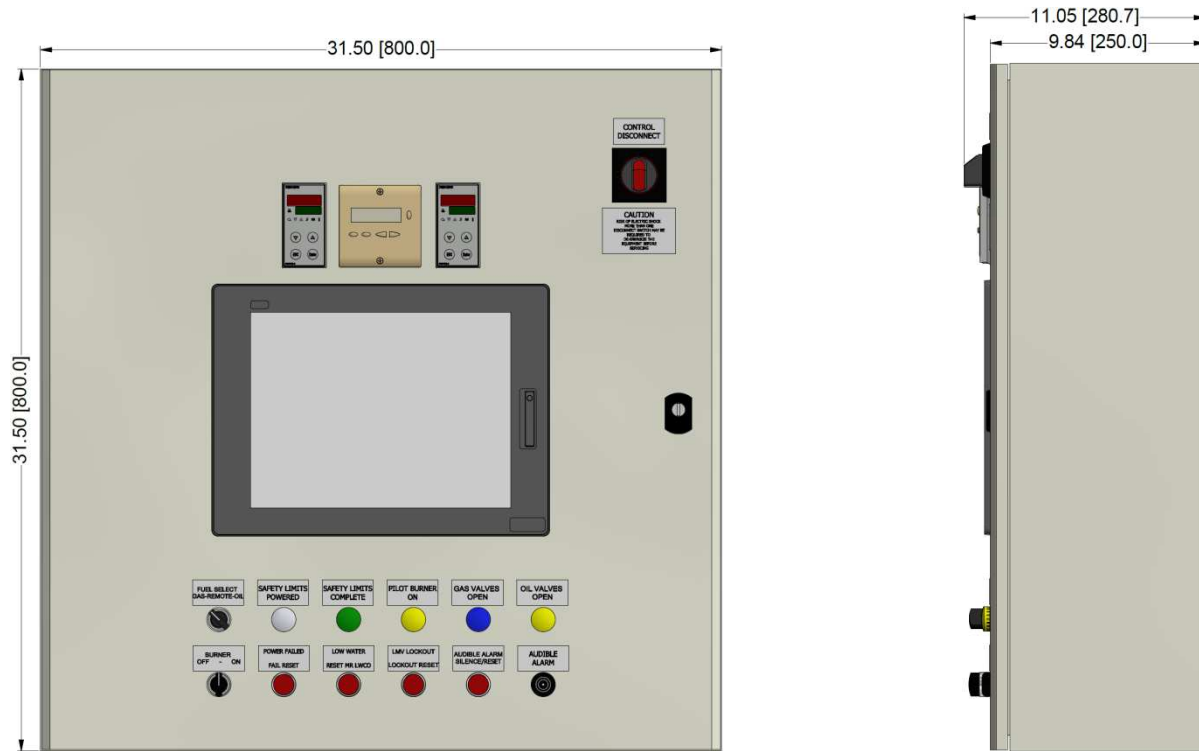


TS-CED6-6xxx-x2x-xxxx

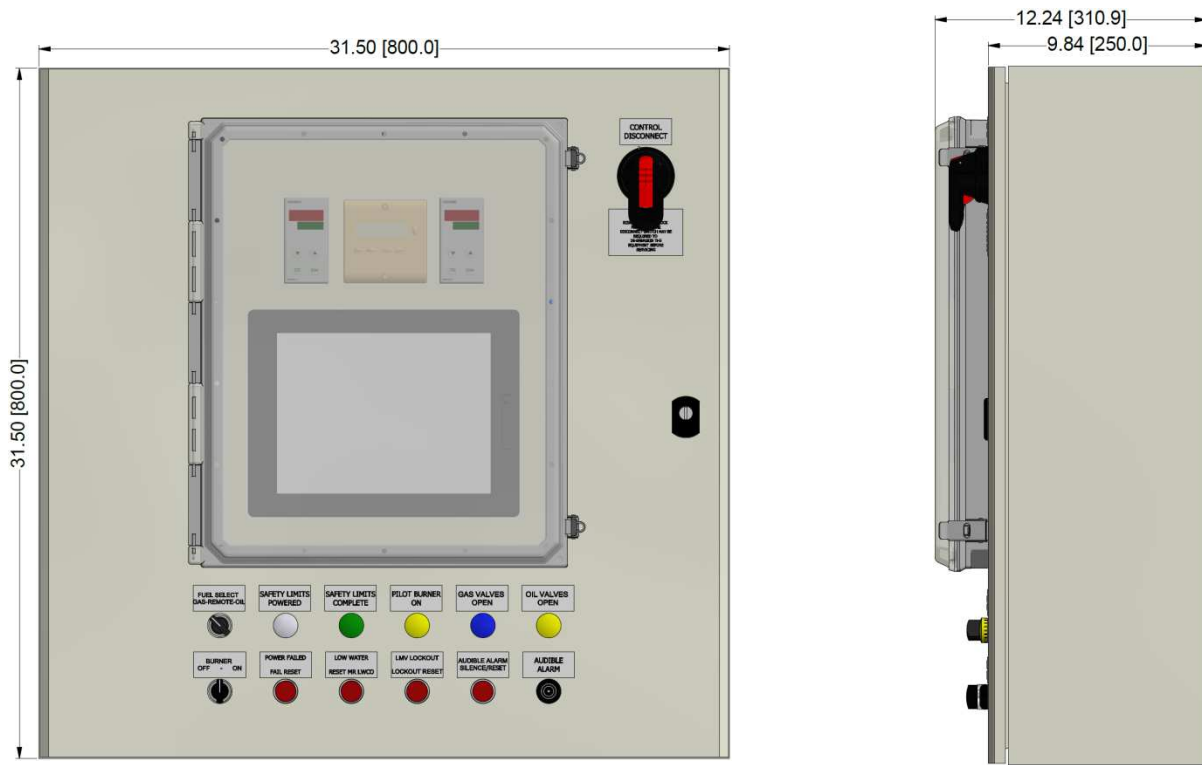


32" X 32" X 10" Enclosure Dimensions

TS-CED6-5xxx-x1x-xxxx

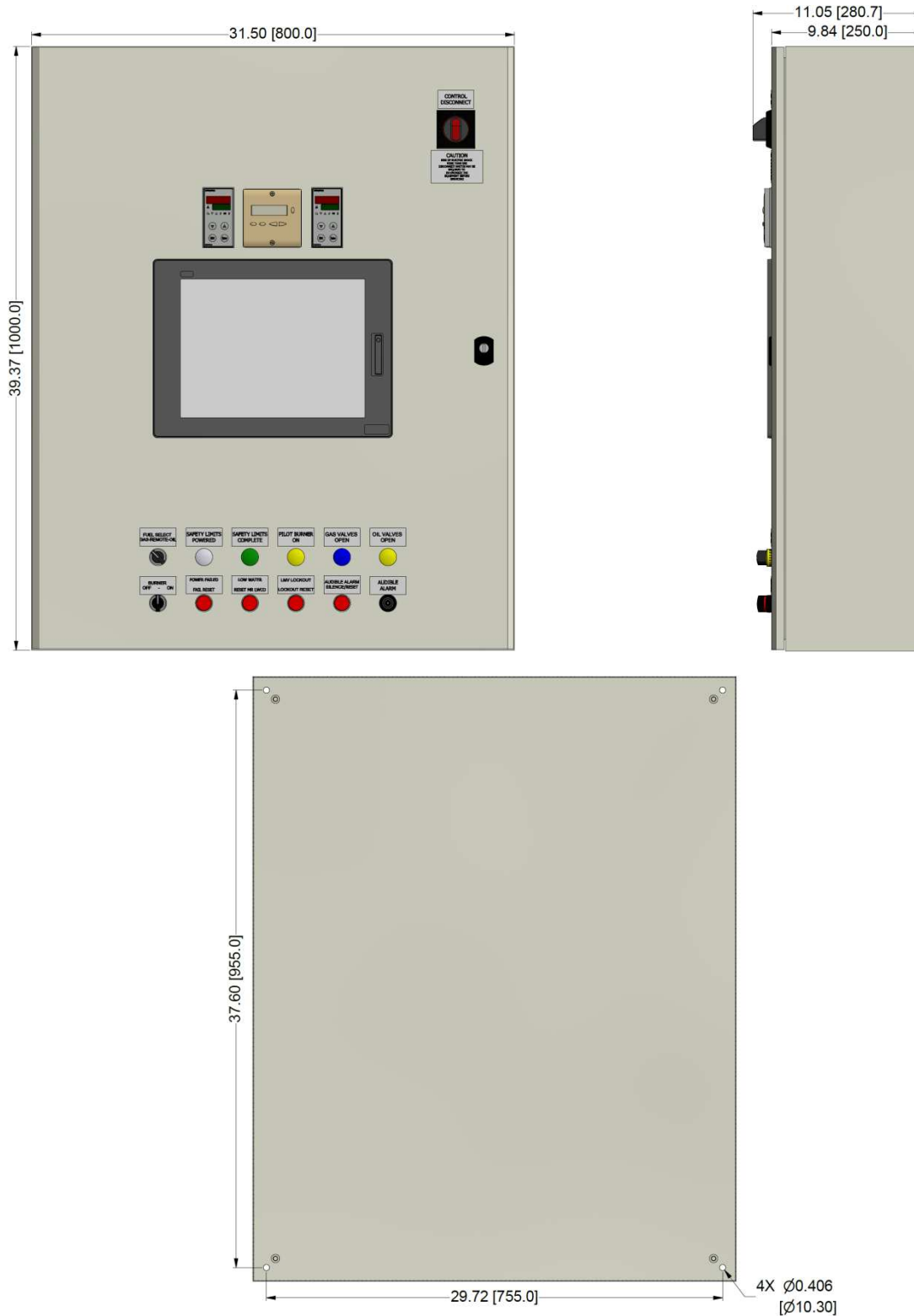


TS-CED6-2xxx-x2x-xxxx

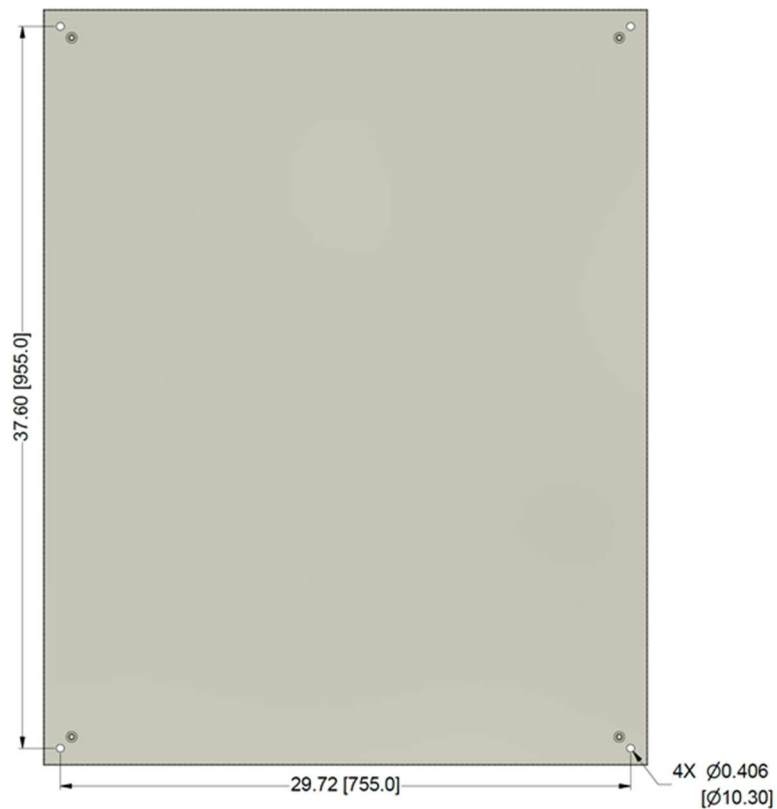
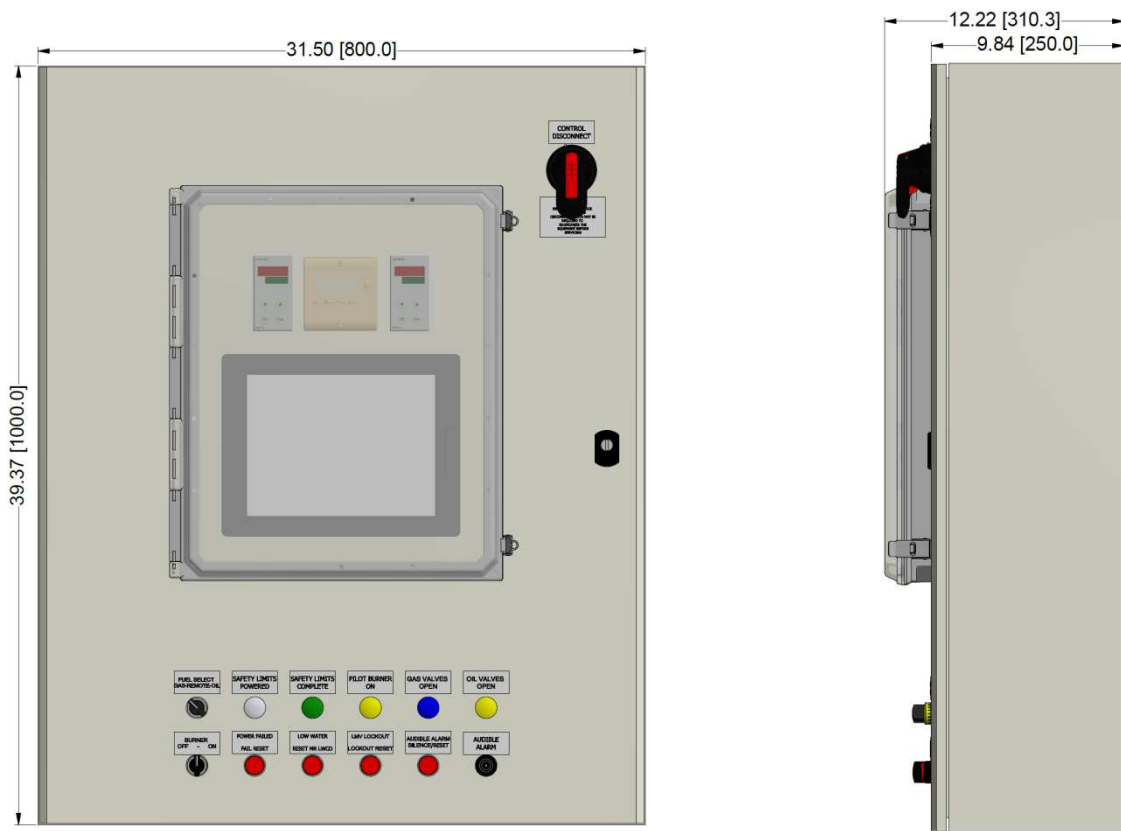


40" X 32" X 10" Enclosure Dimensions

TS-CED6-5xxx-x1x-xxxx

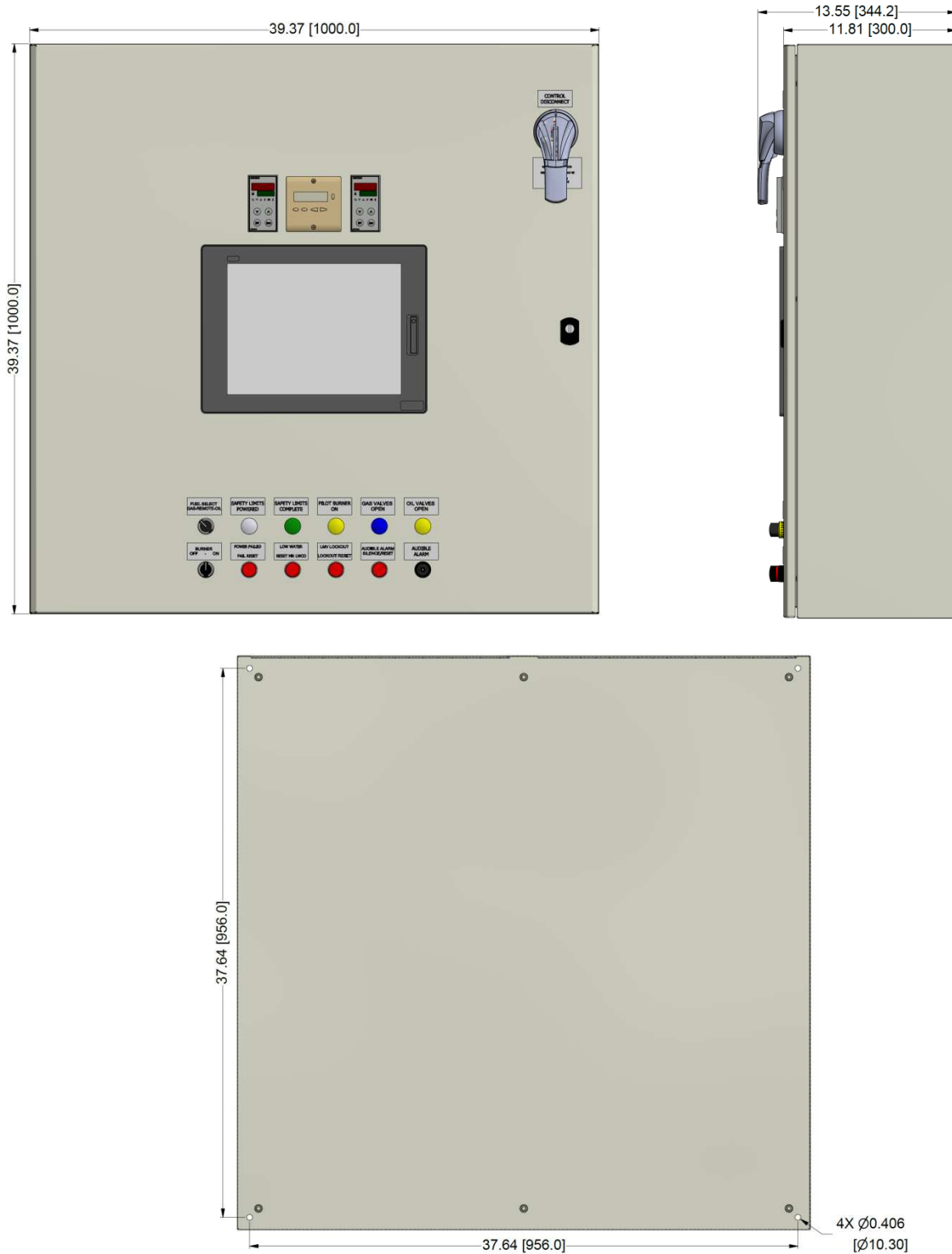


TS-CED6-2xxx-x2x-xxxx

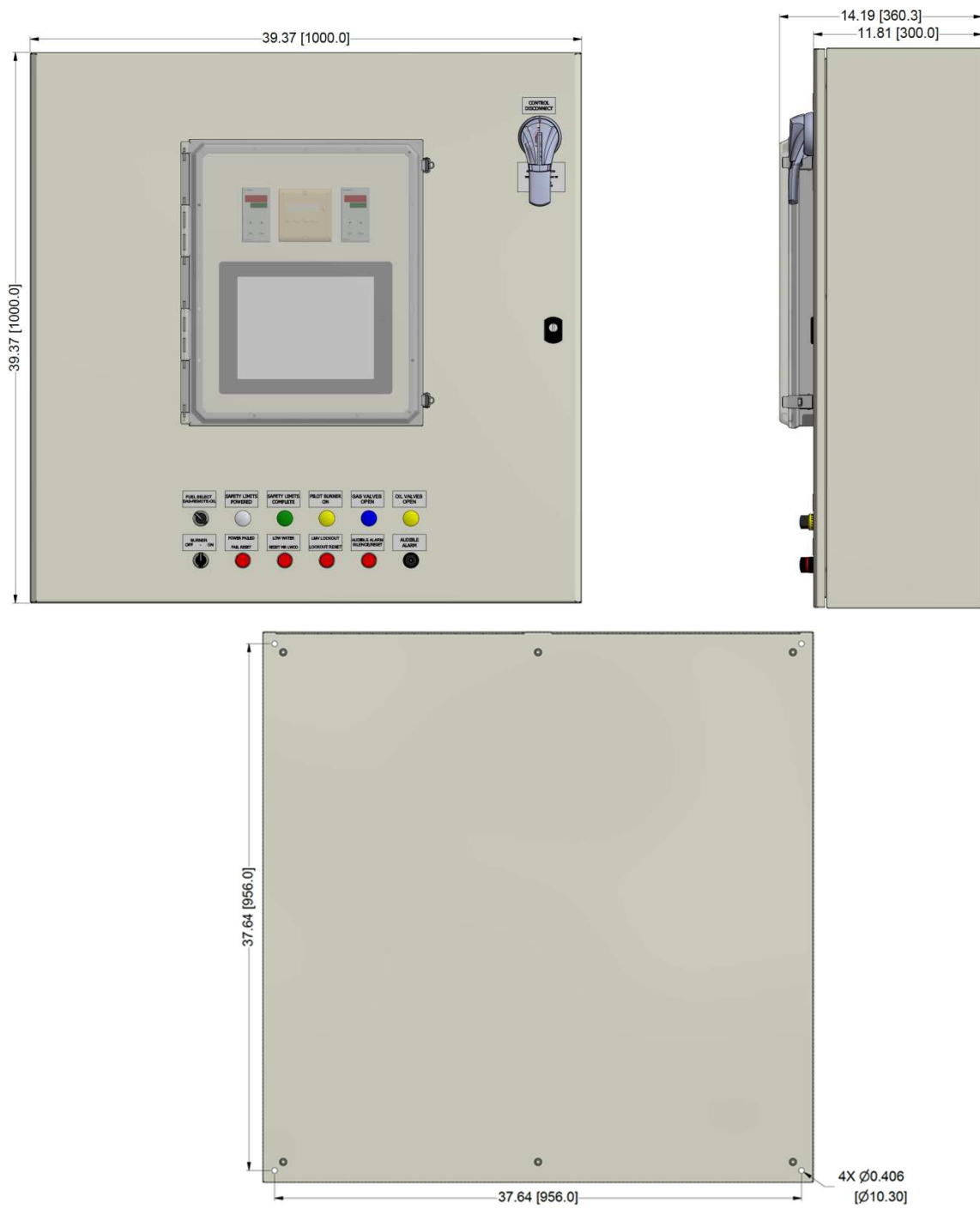


40" X 40" X 12" Enclosure Dimensions

TS-CED6-5xxx-x1x-xxxx



TS-CED6-2xxx-x2x-xxxx



Information in this publication is based on current specifications. The company reserves the right to make changes in specifications and models as design improvements are introduced. Product or company names mentioned herein may be the trademarks of their respective owners. © 2009 SCC Inc.