

LME7-ENC-KT

Product Description

LME7-ENC-KT is a NEMA 1 enclosure kit for any LME7... burner control.

Components Supplied

Figure 1 shows the components supplied with the LME7 NEMA 1 enclosure kit:

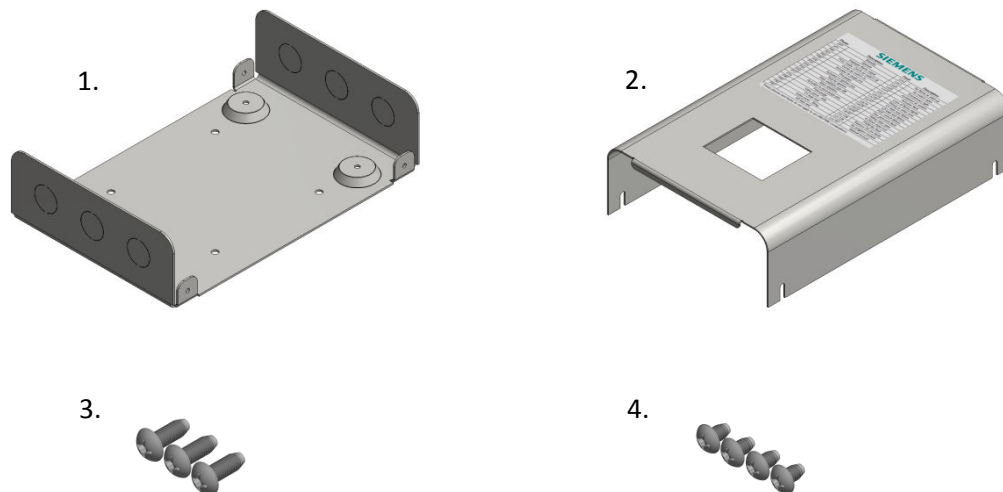


Figure 1: Pieces Supplied with the LME7 NEMA 1 Enclosure Kit

- | | |
|---------------------------------|---|
| 1. LME7 enclosure mounting base | 3. (3) #10-16 x 1/2" sheet metal screws |
| 2. LME7 enclosure cover | 4. (4) #8-18 x 1/4" sheet metal screws |

Recommended Installation Tool

The following tool is recommended for installing the LME7 NEMA 1 enclosure kit:

- #2 Phillips screwdriver
-

Installation Procedure

1. Using the base as a template, mark the locations of the four holes on the surface it will be installed on. Mount the base using (4) #10 or #12 screws (not included). For orientation purposes, the top of the enclosure is shown in Figure 2. Leave appropriate space above and/or below for the conduit connections.

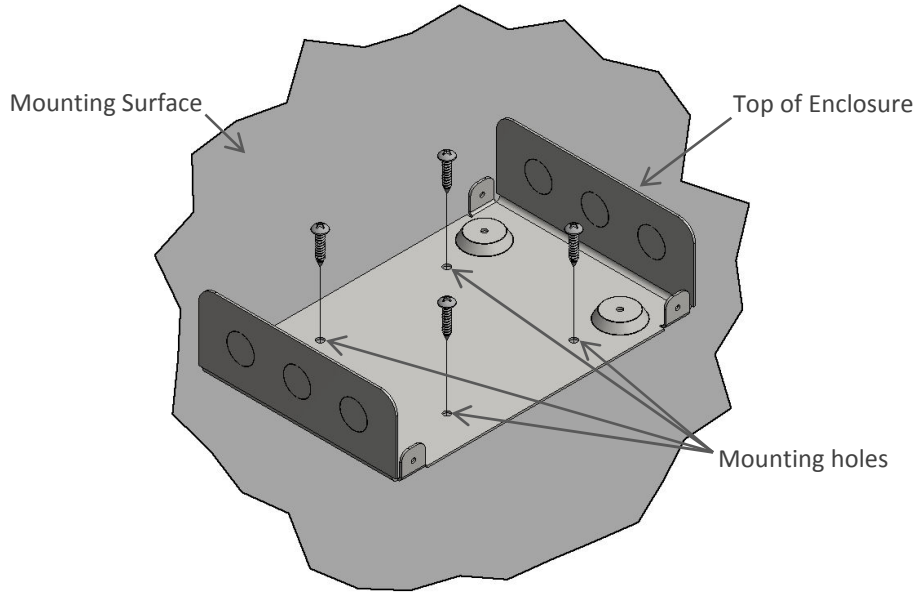


Figure 2: Mounting Base Installation

2. Place the LME7 on the raised surfaces of the base and align the mounting holes as shown in Figure 3. Using a #2 Phillips screwdriver, fasten the LME7 to the base with (3) #10-16 x 1/2" sheet metal screws.

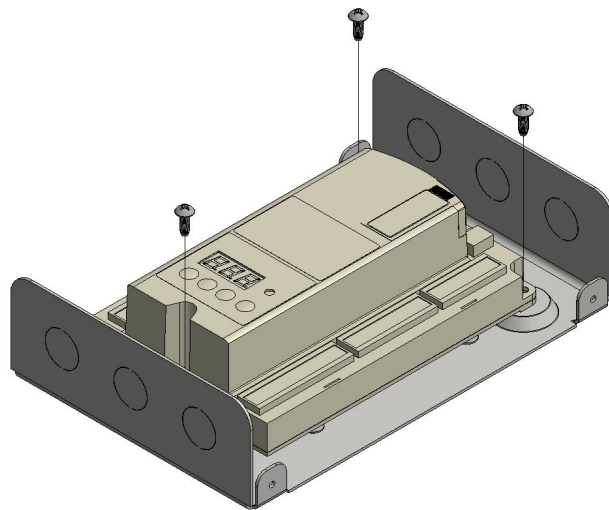


Figure 3: LME7 Installation

Installation Procedure (continued)

3. Knock out the required conduit ports as shown in Figure 4. A total of six conduit ports are available.

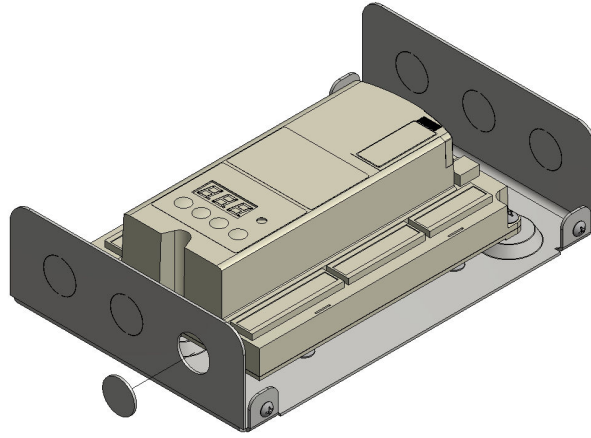


Figure 4: Conduit Port Removal

4. Lower the enclosure cover onto the base as shown below. Using a #2 Phillips screwdriver, fasten the (4) #8-18 x ¼" sheet metal screws through the cover's slotted holes and into the base.

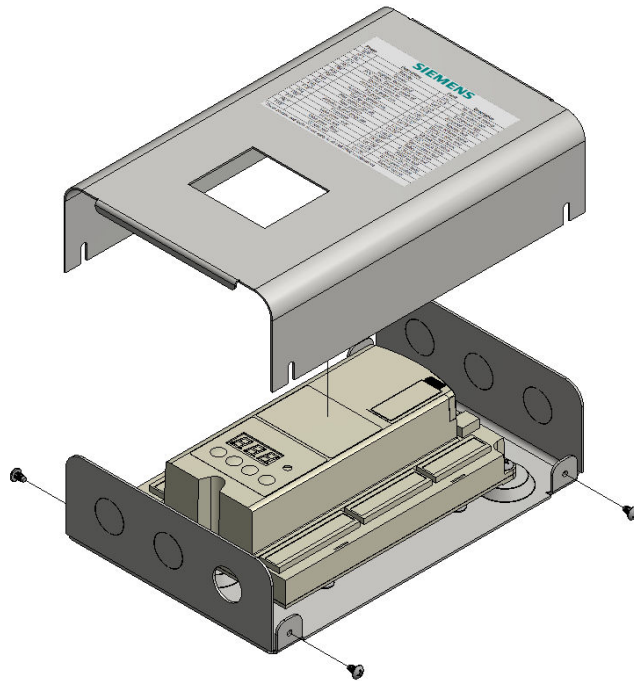


Figure 5: Enclosure Cover Installation

Information in this publication is based on current specifications. The company reserves the right to make changes in specifications and models as design improvements are introduced. Product or company names mentioned herein may be the trademarks of their respective owners. © 2016 SCC Inc.