

HFV... Control Valves

Product Description

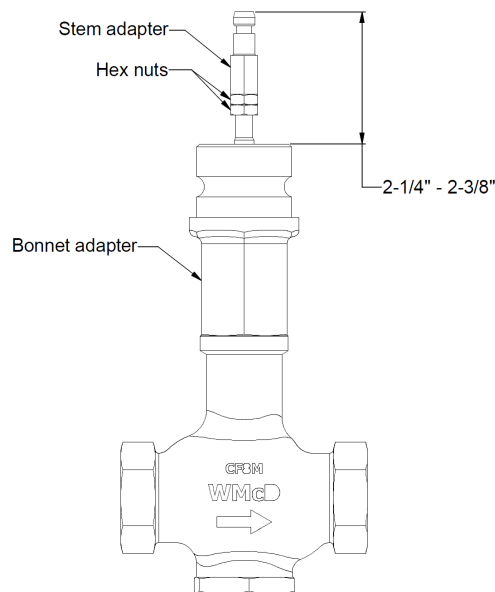
HFV... control valves are used to throttle and shut off the flow of water or steam. HFV... valves are typically used for feedwater control and are to be mounted to an SKB/C/D... electronic actuator.

Installation

- The valve can be mounted in horizontal or vertical pipe. The SKB/C/D... electronic actuator must be mounted in an upright or horizontal position.
- Install the valve with the flow arrow on the side of the body pointing in the direction of fluid flow.
- Insulation may be applied to the valve body if desired. Do not insulate the bonnet or the actuator.
- An upstream strainer is required to avoid scale entering the valve. It is recommended to use a 20-mesh strainer with 1/2" through 2" valves and a 45-mesh strainer with 2-1/2" through 4" valves.
- Be sure to clean and remove any scale or debris in piping prior to installation of the valve.
- Appropriate thread sealant should be applied to all NPT threaded pipe connections.
- To ease maintenance procedures, it is recommended to have isolation valves installed with unions or flanged connections before and after the valve.
- An optional bypass line can be installed parallel to the control valve to enable the valve to be serviced while a boiler or deaerator are still in operation.
- Additional maintenance procedure information can be found in the HFV... Valve Technical Instructions FED-2000.

Installation Procedure

1. If the valve comes with the stem and bonnet adapters already assembled to the valve, skip to step 2. Otherwise, thread the bonnet adapter onto the valve as far as possible and use a crescent wrench to tighten it against the valve body. Then, screw both hex nuts onto the valve stem. Finally, screw the stem adapter onto the valve stem.
2. Adjust the stem adapter so that the distance from the top of the stem adapter to the top of the bonnet adapter is approximately $2\text{-}3/8''$ ($+0, -1/8''$) as shown below. If the stem adapter is not threaded far enough onto the valve stem, the valve will not completely close when the SKB/C/D... actuator ram is fully retracted. Conversely, if the stem adapter is threaded too far onto the valve stem, full open flow will never be achieved.



3. Next, use two $1/2''$ open end wrenches (for $1/2''$ through $2''$ valves) or two $3/4''$ open end wrenches (for $2\text{-}1/2''$ through $4''$ valves) to tighten both hex nuts securely against the bottom of the stem adapter. The valve shaft spins freely inside the valve, so make sure the distance set in step 2 was not affected by tightening down the hex nuts.
4. Follow the instructions provided with the SKB/C/D... electronic actuators for mounting any HFV... control valve to the actuator. One set of instructions is provided for SKB... and SKC... actuators, while another set of instructions is provided for SKD... actuators. Use the set of instructions that is appropriate for the actuator being used.

Information in this publication is based on current specifications. The company reserves the right to make changes in specifications and models as design improvements are introduced. Product or company names mentioned herein may be the trademarks of their respective owners. © 2021 SCC Inc.