

MARSHALLTOWN VALUE SERIES GAUGE

- ASME Grade B Accuracy
- Extra Savings with Quantity Pricing
- 4 Standard Mounting Options: LM, CB, Right & Left

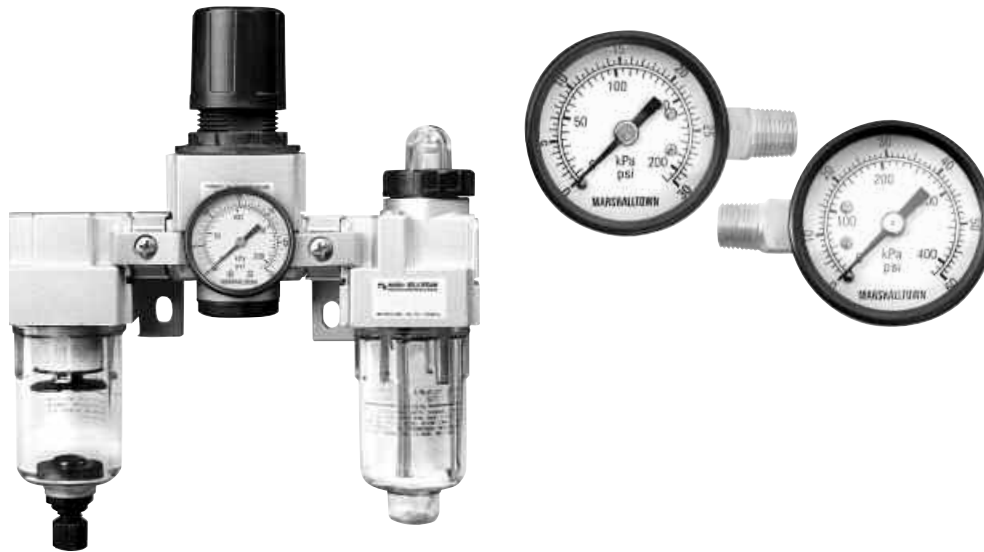
Marshalltown Value Series are the most economical, general purpose gauges in the Marsh gauge line. Suited for use with water, oil, air, gas, or other non-corrosive media.

Typical applications include FRL's, compressors, pumps, boilers, regulators, dryers as well as commercial and industrial equipment.

STANDARD RANGES & PART NUMBERS

TYPE	MARSHALLTOWN VALUE SERIES GAUGES							
	1 1/2"				2"			
Mounting	LM	CB	Right	Left	LM	CB	LM	CB
Connection	1/2 NPT	1/2 NPT	1/2 NPT	1/2 NPT	1/2 NPT	1/2 NPT	1/2 NPT	1/2 NPT
0 to 15 psi		GG1515C8						
0 to 30 psi	GG1530L8	GG1530C8	GG1530G8	GG1530F8	GG2030L4	GG2030C4	GG2030L8	GG2030C8
0 to 60 psi	GG1560L8	GG1560C8	GG1560G8	GG1560F8	GG2060L4	GG2060C4		
0 to 100 psi	GG15100L8	GG15100C8			GG20100L4	GG20100C4	GG20100L8	GG20100C8
0 to 160 psi	GG15160L8	GG15160C8			GG20160L4	GG20160C4	GG20160L8	GG20160C8
0 to 200 psi		GG15200C8				GG20200C4		GG20200C8
0 to 300 psi						GG20300C4		

Consult Factory for additional ranges.



SPECIFICATIONS

ACCURACY
ASME Grade B = $\pm 3/2/3\%$ ($\pm 2\%$ of range across middle half of scale)

CASE SIZES
1 1/2" and 2" diameter

CASE MATERIAL
Steel, black painted

CASE STYLE
CB – Center Back Mount
LM – Lower Mount
Right Mount
Left Mount

TUBE & SOCKET
Copper alloy

MOVEMENT
Brass

CONNECTION
1/2 & 1/4 NPT

RANGES
15 to 200 psi

DIAL STANDARD
Dual scale psi and kPa

DIAL COLOR
Black markings on white

POINTER
Aluminum, Black painted

WINDOW
Flat plastic with steel friction ring





GENERAL SERVICE GAUGE

- Dial Sizes: 1½", 2", 2½", 3½" & 4½"
- Superb quality, economical price
- Pressure ranges to 5000 psi

Marsh Instruments General Service Steel Case Gauges are an economical, general purpose gauge for pressure measurement from vacuum/compound through 5,000 psi. Suited for use with water, oil, air, gas, or other non-corrosive media.

Typical applications include FRLs, compressors, pumps, boilers, regulators, dryers as well as commercial and industrial equipment.



SPECIFICATIONS

ACCURACY

ASME Grade B-±3/2/3% (±2% of range across middle half of scale)

CASE SIZES

1½", 2", 2½", 3½", 4½" diameter

CASE MATERIAL

Steel, black painted

CASE STYLE

CB – Center Back Mount

LM – Lower Mount

UC – U-Clamp Mount

See option tables for Front Flange

TUBE & SOCKET

Copper alloy

MOVEMENT

Brass

CONNECTION

½ & ¼ NPT

RANGES

0 to 30" Hg VAC; Compound 30" Hg vac to 400 psi; 15 to 5,000 psi

DIAL STANDARD

Dual scale psi and kPa

DIAL COLOR

Black markings on white

POINTER

Aluminum, black painted

WINDOW

1½", 2", 2½", 3½": acrylic, twist-in Clearlok

4½": flat glass window with steel friction ring

RESTRICTOR

Standard for ranges 1,000 psi and above

STANDARD RANGES & PART NUMBERS

TYPE	GENERAL SERVICE GAUGES						
Size	1½"			2"			
Case Material	Steel			Steel			
Internals	Copper Alloy			Copper Alloy			
Mounting / Case Style	LM	UC	CB	LM	LM	CB	CB
Connection	½ NPT	½ NPT	½ NPT	½ NPT	¼ NPT	½ NPT	¼ NPT
Scale Standard	psi/kPa			psi/kPa			
0 to 30" Hg VAC	J0405	J0505	J0605	J1105	J1405	J1805	J2005
30" Hg VAC to 15 psi							
30" Hg VAC to 30 psi					J1412		
30" Hg VAC to 60 psi					J1414		
30" Hg VAC to 100 psi							
30" Hg VAC to 150 psi	J0418	J0518	J0618	J1118	J1418	J1818	J2018
30" Hg VAC to 200 psi	J0420	J0520	J0620	J1120	J1420	J1820	J2020
30" Hg VAC to 300 psi	J0424	J0524	J0624	J1124	J1424	J1824	J2024
30" Hg VAC to 400 psi				J1126	J1426	J1826	J2026
0 to 15 psi	J0440	J0540	J0640	J1140	J1440	J1840	J2040
0 to 30 psi	J0442	J0542	J0642	J1142	J1442	J1842	J2042
0 to 60 psi	J0446	J0546	J0646	J1146	J1446	J1846	J2046
0 to 100 psi	J0448	J0548	J0648	J1148	J1448	J1848	J2048
0 to 160 psi	J0452	J0552	J0652	J1152	J1452	J1852	J2052
0 to 200 psi	J0454	J0554	J0654	J1154	J1454	J1854	J2054
0 to 300 psi	J0458	J0558	J0658	J1158	J1458	J1858	J2058
0 to 400 psi				J1160	J1460	J1860	J2060
0 to 600 psi					J1464	J1864	
0 to 1,000 psi							
0 to 1,500 psi							
0 to 2,000 psi							
0 to 3,000 psi					J1478	J1878	J2078
0 to 5,000 psi					J1482		





STANDARD RANGES & PART NUMBERS

TYPE	GENERAL SERVICE GAUGES											
	2"		2½"						3½"		4½"	
Case Material	Steel		Steel						Steel		Steel	
Internals	Copper Alloy		Copper Alloy						Copper Alloy			
Mounting / Case Style	UC	UC	LM	LM	CB	CB	UC	UC	LM	CB	UC	LM
Connection	½ NPT	¼ NPT	½ NPT	¼ NPT	½ NPT	¼ NPT	½ NPT	¼ NPT	¼ NPT	¼ NPT	¼ NPT	¼ NPT
Scale Standard	psi/kPa		psi/kPa						psi/kPa		psi/kPa	
0 to 30" Hg VAC	J2405	J2605	J4005	J4605	J5005	J5405	J6005	J6205	J8005	J8605	J8805	J9005
30" Hg VAC to 15 psi												
30" Hg VAC to 30 psi				J4612					J8012			
30" Hg VAC to 60 psi				J4614					J8014			J9014
30" Hg VAC to 100 psi												
30" Hg VAC to 150 psi	J2418	J2618	J4018	J4618	J5018	J5418	J6018	J6218	J8018	J8618	J8818	J9018
30" Hg VAC to 200 psi	J2420	J2620	J4020	J4620	J5020	J5420	J6020	J6220	J8020	J8620	J8820	J9020
30" Hg VAC to 300 psi	J2424	J2624	J4024	J4624	J5024	J5424	J6024	J6224	J8024	J8624	J8824	J9024
30" Hg VAC to 400 psi	J2426	J2626	J4026	J4626	J5026	J5426	J6026	J6226	J8026	J8626	J8826	J9026
0 to 15 psi	J2440	J2640	J4040	J4640		J5440		J6240	J8040	J8640	J8840	J9040
0 to 30 psi	J2442	J2642	J4042	J4642	J5042	J5442	J6042	J6242	J8042	J8642	J8842	J9042
0 to 60 psi	J2446	J2646	J4046	J4646	J5046	J5446	J6046	J6246	J8046	J8646	J8846	J9046
0 to 100 psi	J2448	J2648	J4048	J4648	J5048	J5448	J6048	J6248	J8048	J8648	J8848	J9048
0 to 160 psi	J2452	J2652	J4052	J4652	J5052	J5452	J6052	J6252	J8052	J8652	J8852	J9052
0 to 200 psi	J2454	J2654	J4054	J4654	J5054	J5454	J6054	J6254	J8054	J8654	J8854	J9054
0 to 300 psi	J2458	J2658	J4058	J4658	J5058	J5458	J6058	J6258	J8058	J8658	J8858	J9058
0 to 400 psi	J2460	J2660	J4060	J4660	J5060	J5460	J6060	J6260	J8060	J8660	J8860	J9060
0 to 600 psi				J4664					J8064	J8664	J8864	J9064
0 to 1,000 psi			J4072	J4672		J5472		J6272		J8672	J8872	J9072
0 to 1,500 psi				J4674					J8074			
0 to 2,000 psi				J4676		J5476		J6276				J9076
0 to 3,000 psi	J2478	J2678		J4678	J5078	J5478	J6078	J6278				
0 to 5,000 psi				J4682						J8682	J8882	J9082

General Service



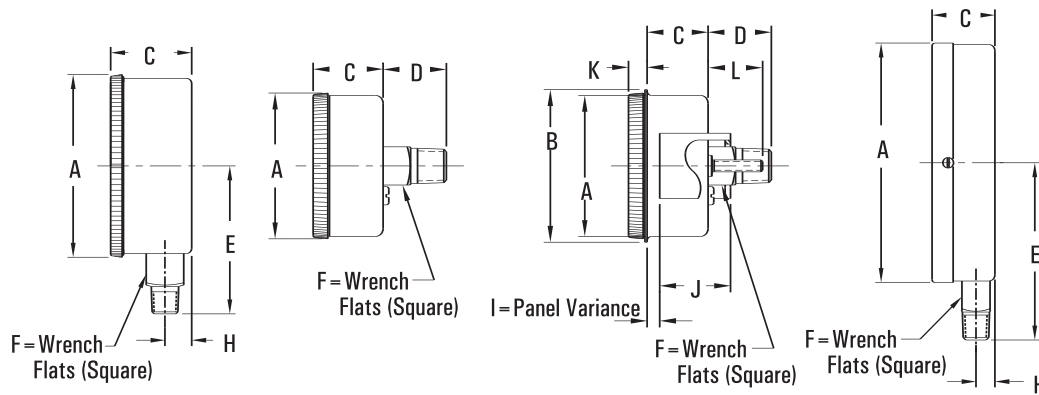
Dial Divisions	General Service 3/2/3% of Span		
Ranges	Figure Intervals	Minor Graduations	
Vacuum	5	1	
COMPOUND			
30" Hg VAC to 15 psi	10	5	2 1
30" Hg VAC to 30 psi	10	10	2 1
30" Hg VAC to 60 psi	10	10	2 2
30" Hg VAC to 150 psi	30	30	5 5
30" Hg VAC to 300 psi	30	50	- 10
PRESSURE			
0 to 15 psi	3	0.2	
0 to 30 psi	5	1	
0 to 60 psi	10	1	
0 to 100 psi	10	2	
0 to 160 psi	20	2	
0 to 200 psi	50	4	
0 to 300 psi	50	5	
0 to 400 psi	50	5	
0 to 600 psi	50	10	
HIGH PRESSURE			
0 to 1,000 psi	200	20	
0 to 1,500 psi	300	20	
0 to 2,000 psi	400	40	
0 to 3,000 psi	500	100	
0 to 4,000 psi	1,000	100	
0 to 5,000 psi	1,000	100	

GENERAL SERVICE GAUGE OPTIONS

OPTION	TYPE	SUFFIX	AVAILABLE ON MODELS
Restrictors	Add restrictor	H	All models – Consult factory for other sizes
Catalog Dials	psi only	E	See Marsh Price List for minimums
	bar only	L1	
	kg/cm ² only	L2	
	kPa only	L3	
	MPa only	L4	
	psi & bar	W1	
	psi & kg/cm ²	W2	
	psi & MPa	W4	
Custom Dials	Custom face	M	See Marsh Price List for minimums
Window	Instrument glass w/ring (GS)	F1	1½" - 3½" Consult factory for availability
	Acrylic	F2	4½" Consult factory for availability
Pointer	Adjustable (slotted) pointer (AD)	Z1	2" - 4½" Consult factory for availability
	Max. Hand Assembly (MX)	Z2	2" - 3½" CB or LM only, Consult factory for availability
Increased Accuracy	Grade A: (2/1/2%)	B	All models - 10 piece minimum order
Cases	3 hole front flange (FF)		1½" - 3½" See below for part number
	Part Numbers: 1½"x ⅝" (J07XX), 2"x ⅝" (J25XX), 2"x ¼" (J29XX), 2½" x ⅝" (J61XX), 2½"x ¼" (J63XX), 3½"x ⅝" (J85XX), 3½"x ¼" (J89XX). Consult factory for availability.		
	Stainless steel (SS)	J1	Consult factory for availability
	Brass (BR)	J2	
Rings	Friction ring (external), Polished stainless steel (FC)	A1	1½" to 3½" CB or LM only
	Friction ring (external), black (FB)	A2	1½" to 3½" CB or LM only
	Press ring, black (PB)	A3	2" to 3½" [Panel mount]
	Press ring, chrome (PC)	A4	2" to 3½" [Panel mount]
Special Connections			Consult Factory for availability



(J90XX Only)



GENERAL SERVICE CASE DIMENSIONS

Part#	Dial Size	Mount	A	B	C	D	E	F	H	I	J	K	L
J04xx	1½	⅝" LM	1.67		.90		1.50	⅞"	.26				
J05xx	1½	⅝" UC	1.60	1.75	.71	.72		⅞"		.06-.37	.81	.19	.63
J06xx	1½	⅝" CB	1.67		.90	.72		⅞"					
J11xx	2.0	⅝" LM	2.20		1.22		1.82	⅞"	.40				
J14xx	2.0	¼" LM	2.20		1.22		1.82	⅞"	.40				
J18xx	2.0	⅝" CB	2.20		1.22	.82		⅞"					
J20xx	2.0	¼" CB	2.20		1.22	.82		⅞"					
J24xx	2.0	⅝" UC	2.06	2.25	.94	.88		⅞"		0-0.43	1.22	.20	.92
J26xx	2.0	¼" UC	2.06	2.25	.94	.88		⅞"		0-0.43	1.22	.20	.92
J40xx	2½	⅝" LM	2.73		1.22		2.10	⅞"	.40				
J46xx	2½	¼" LM	2.73		1.22		2.10	⅞"	.40				
J50xx	2½	⅝" CB	2.73		1.23	.82		⅞"					
J54xx	2½	¼" CB	2.73		1.23	.82		⅞"					
J60xx	2½	⅝" UC	2.58	2.81	.94	.88		⅞"		0-0.43	1.22	.20	.92
J62xx	2½	¼" UC	2.58	2.81	.94	.88		⅞"		0-0.43	1.22	.20	.92
J80xx	3½	¼" LM	3.71		1.22		2.77	⅞"	.40				
J86xx	3½	¼" CB	3.71		1.15	.80		⅞"					
J88xx	3½	¼" UC	3.65	3.98	.91	.87		⅞"		0-0.49	1.10	.24	.92
J90xx	4½	¼" LM	4.53		1.22		3.16	⅞"	.40				