

MODEL NUMBER

DXP-M2GYNEB

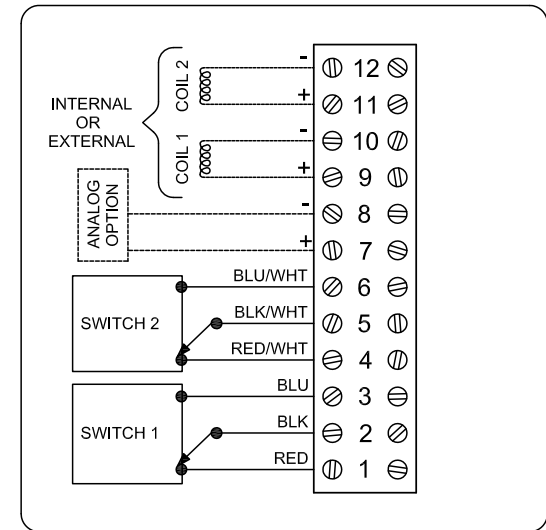
PRODUCT LINE

Switchbox DXP and DXS

SPECIFICATIONS

Enclosure	Tropicalized aluminum
Bus/Sensor	(2) Mechanical SPDT
Area Classification	General purpose
Visual Display	90° Yellow OPEN, Black CLOSED
Shaft	NAMUR 316 stainless steel
Conduit Entries	(2) 3/4" NPT
O-Rings	Buna-N
Pilot	No pilot device(s)
Spool Valve	No spool valve
Valve Cv	No valve Cv
Manual Override	No manual override
Regional Certification	No regional certification
N Switch	No N Switch

WIRING DIAGRAM



Current as of April 29, 2024 – Subject to change without notice.

NAMEPLATE

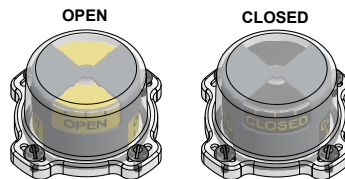


Type 4X, 0°C ≤ Ta ≤ 35°C
General Purpose
SWITCH: SPDT 15A/125VAC, 250VAC

TOPWORX
Designed In Louisville, Kentucky, USA
Assembled in USA

Model #:

Serial #:



TOPWORX

3300 Fern Valley Road
Louisville, KY 40213

(502)969-8000 PH
(502)969-5911 FAX
www.topworx.com