

DIRECT FIRED TEMPERATURE CONTROL WITH INTEGRAL SELECTOR AND OPTIONAL  
REMOTE CONNECTION

# DFC-X

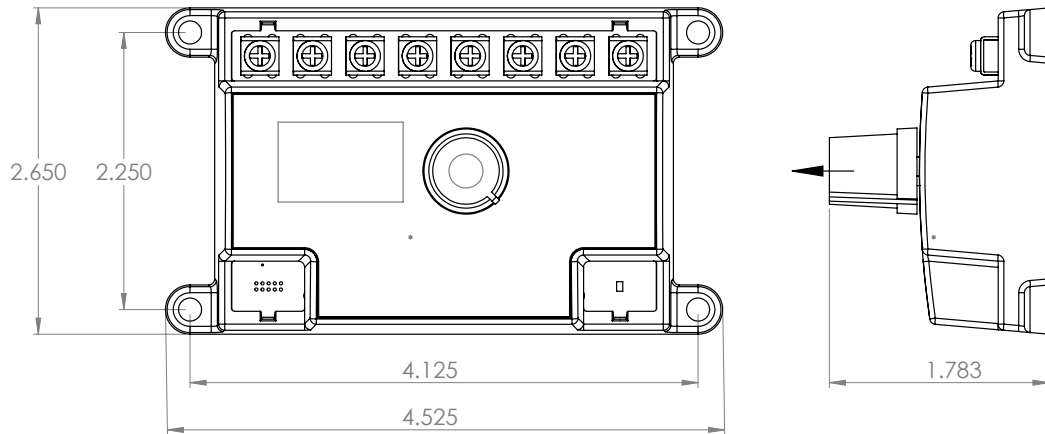
The **DFC-X** is a microprocessor based control that uses an intelligent PID software algorithm to modulate gas flow in direct fired make up air applications.



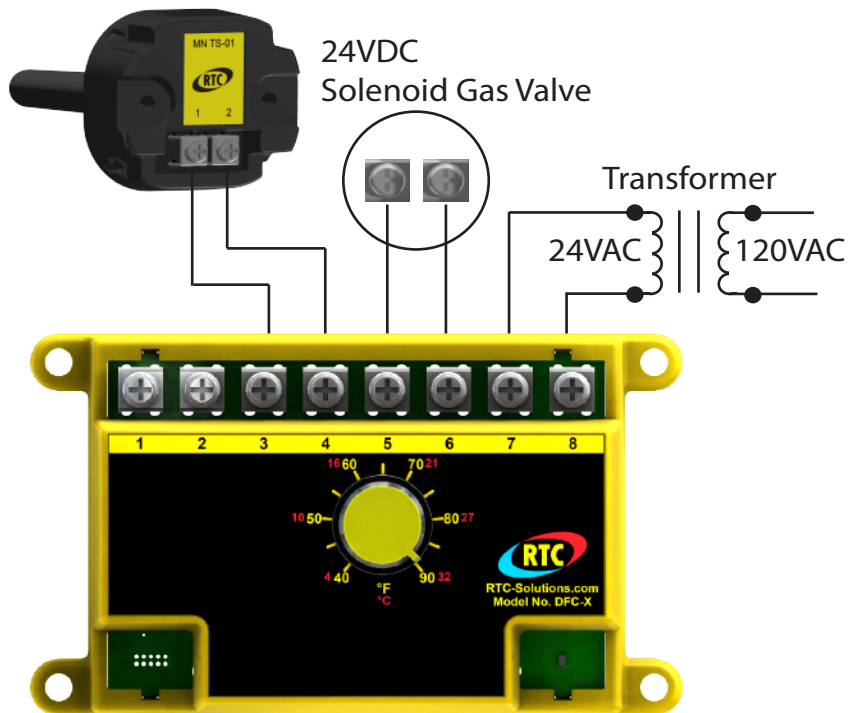
- ◆ Built in 10 Second Low Fire Start Timer
- ◆ 0-24V DC Modulating Output
- ◆ 24V AC Power
- ◆ Option to use remote dial or integral selector
- ◆ Automatic remote detection
- ◆ Fits 1/4" Wiring Terminals
- ◆ Rated for -40°F (-4°C)
- ◆ Industry Standard Mounting

DIRECT FIRED TEMPERATURE CONTROL WITH INTEGRAL SELECTOR AND OPTIONAL  
REMOTE CONNECTION

# DFC-X



TS-01  
Temperature Sensor



DFC-X Specifications

Power Requirements	24VAC 50/60Hz 20V A Isolated Class II Transformer
DFC Ambient Temperature Limits	
Storage	-40°F -140°F (-40 - 60°C)
Operating	-40°F -140°F (-40 - 60°C)
Accuracy	40°F -250°F (4 - 121°C)

RTC Solutions  
4380 Oakes Road, Suite 804  
Davie Fl, 33314  
Ph. (877) 351-4702

