

## CA Series

---

### Crank Arms



---

### Description

CA... series crank arms mount to a Siemens SQM33..., SQM4..., SQM5... actuator or a VKG... butterfly valve.

---

### Features

- Reliable mechanical linkage for SQM33..., SQM4..., or SQM5... actuators and VKG... butterfly valves
- Eight mounting positions for simple linkage configurations
- Easy installation requiring no special tools

## Product Part Numbers

Use Table 1 to combine an arm and a hub to select a crank arm assembly part number.

**Table 1: Crank Arms Kits**

	<b>3/8" Square Shaft Hub (Actuator)</b>	<b>10mm Round Shaft Hub (VKG... Valve)</b>	<b>10mm D Shaft Hub (Actuator)</b>	<b>14mm Keyed Shaft Hub (Actuator)</b>
<b>Thick with Holes</b>	CA-E06S-1	CA-M10R-1	CA-M10D-1	CA-M14K-1
<b>Thin with Holes</b>	CA-E06S-2	CA-M10R-2	CA-M10D-2	N/A
<b>Thin with Slot</b>	CA-E06S-3	CA-M10R-3	CA-M10D-3	N/A

## Accessories

### CA-AC-RE0.25



A rod end is available for use with any crank arm utilizing the thin arm with holes or the thin arm with slot. The rod end has a 1/4"-20 stud and comes with the corresponding nut and lock washer for fastening the rod end to the arm. The rod end has a 0.328" hole for use with a 1/4" or 5/16" connecting rod. A set screw is provided to connect the rod end to the connecting rod.

## Specifications

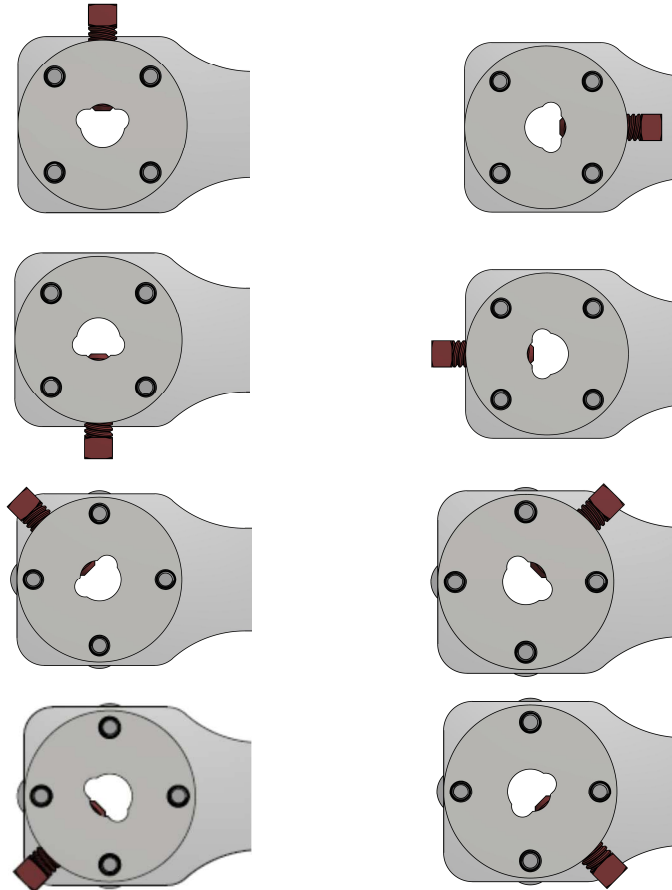
### Physical characteristics

Fasteners  
 Hubs  
 Arms

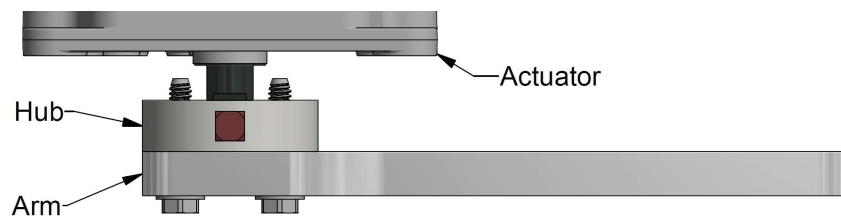
Alloy Steel  
 Zinc-Plated Steel  
 Zinc-Plated Steel

## Installation

- Clamp screws and set screws must be secured appropriately. Socket head clamp screws should be tightened to a torque of 70 in-lbs using a 5/32" hex key. Square head set screws should be tightened to a torque of 180 in-lbs.
- Each arm has eight mounting holes, allowing the hub to be mounted in eight different positions relative to the arm.



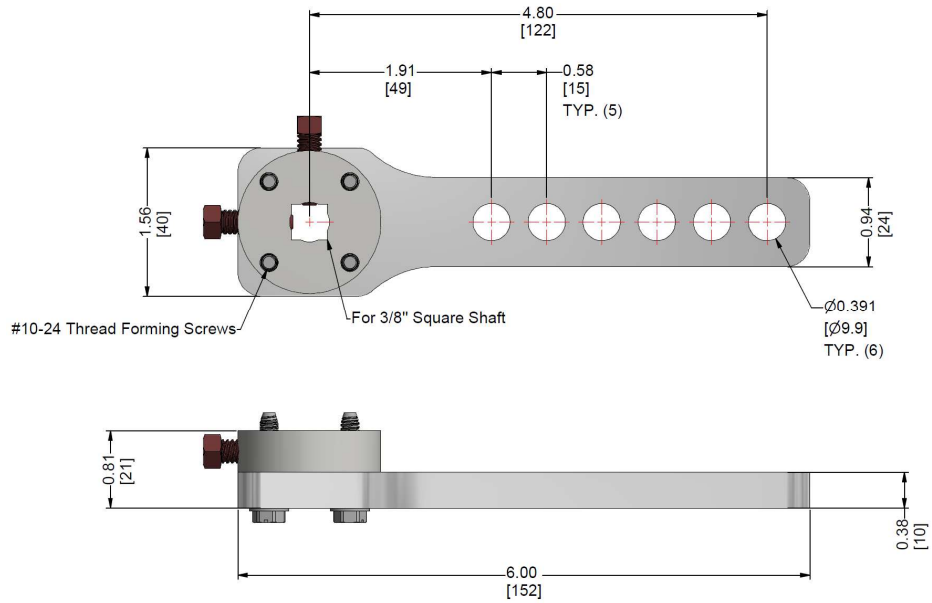
- Install the crank arm on the actuator with the hub end over the shaft as pictured below.



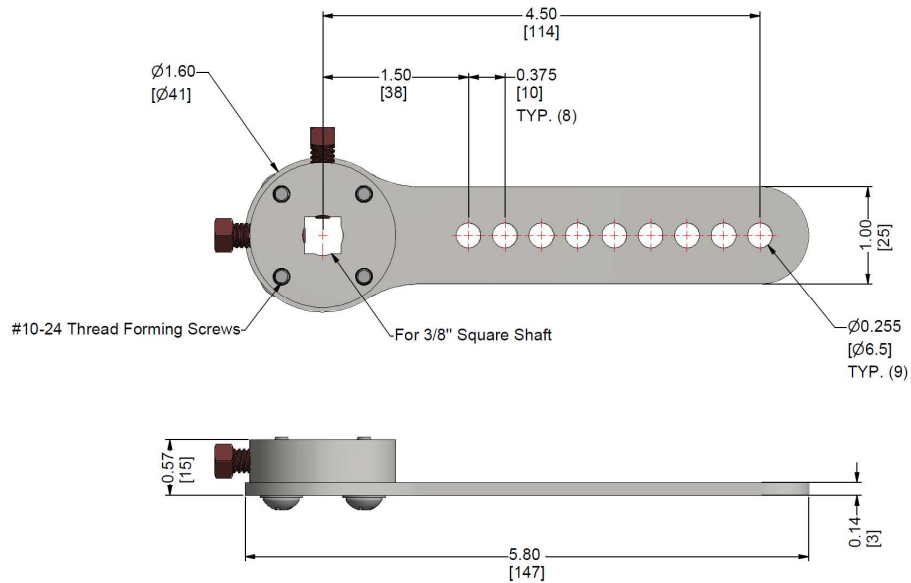
## Dimensions

Dimensions in inches; millimeters in brackets

### CA-E06S-1

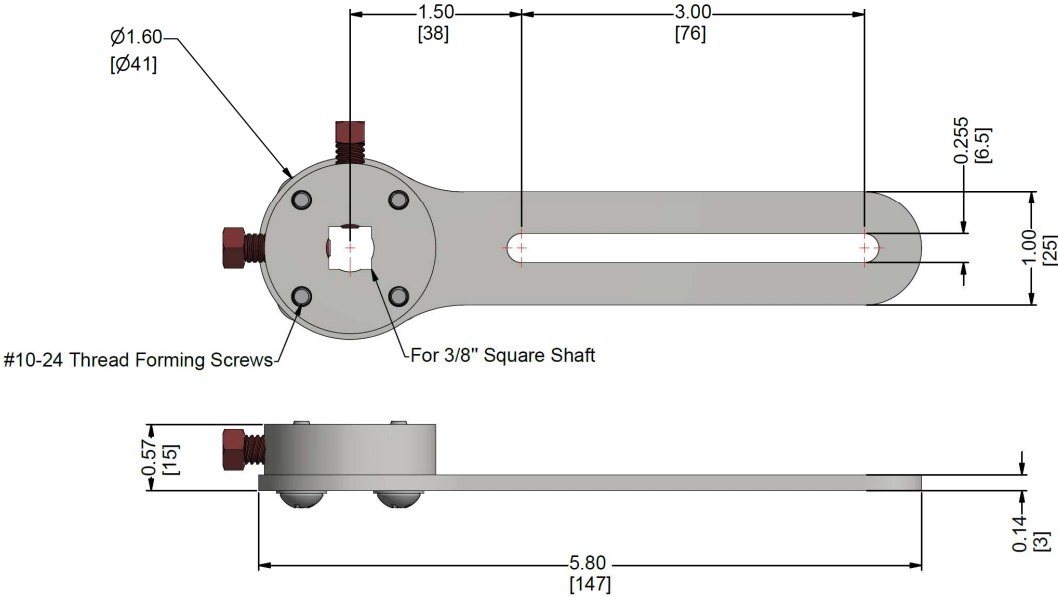


### CA-E06S-2

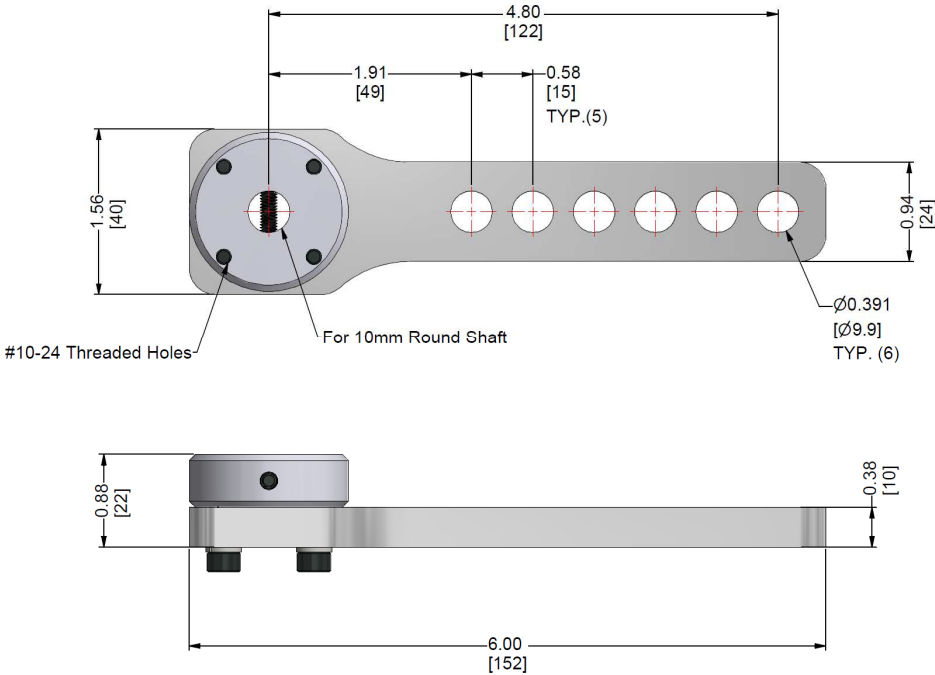


# Dimensions (continued)

## CA-E06S-3

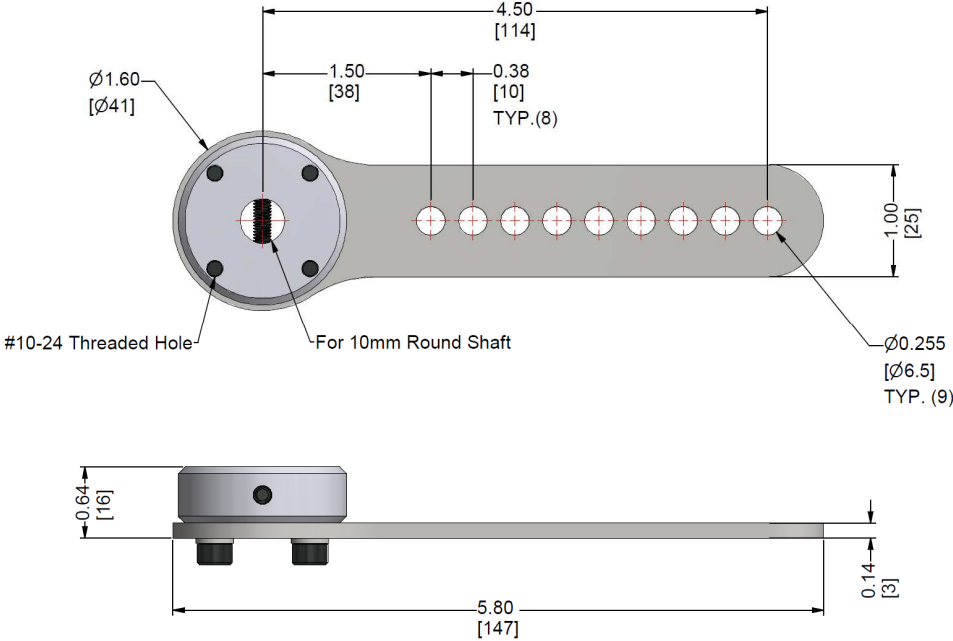


## CA-M10R-1

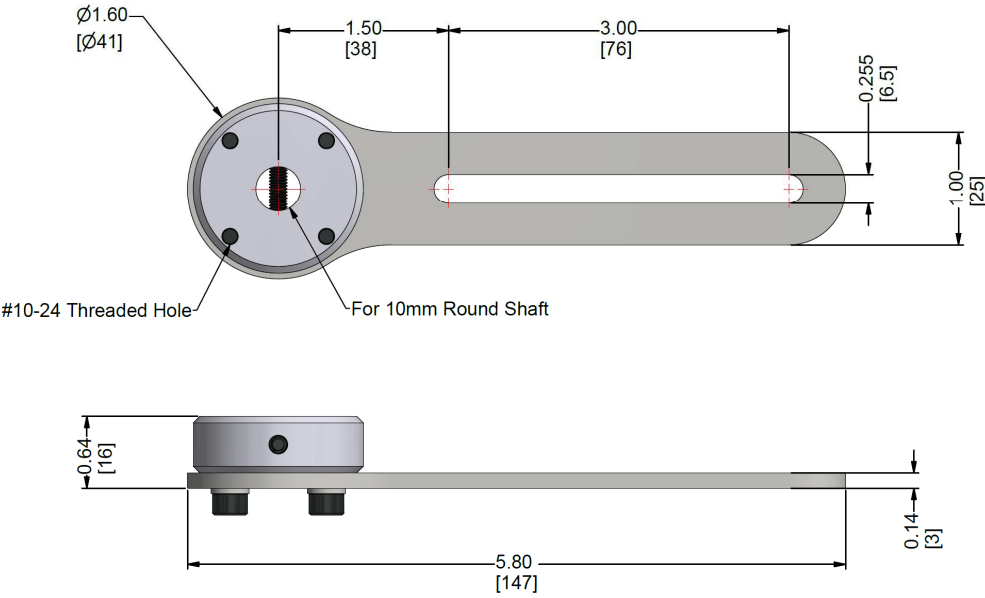


# Dimensions (continued)

## CA-M10R-2

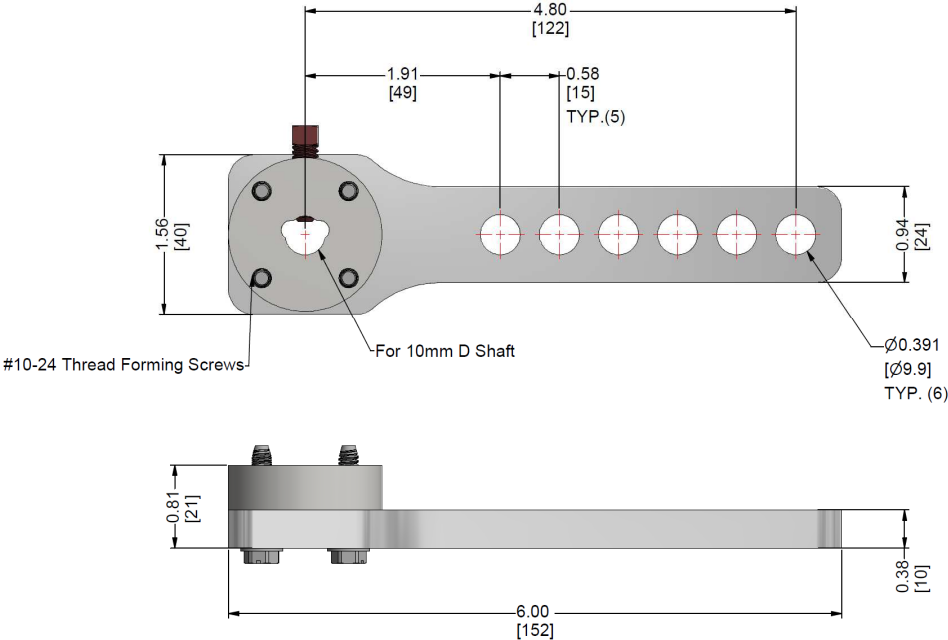


## CA-M10R-3

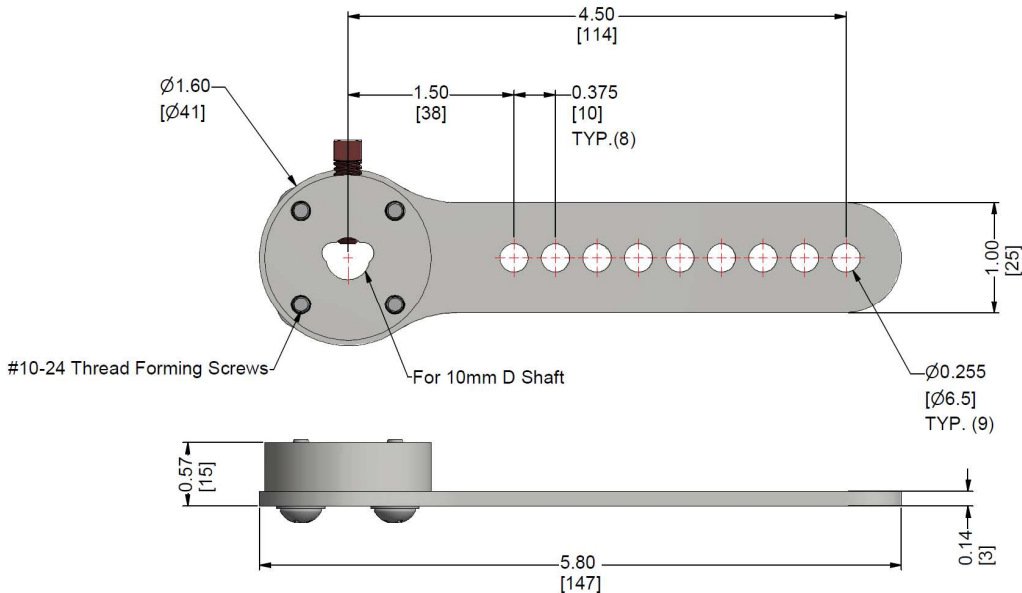


# Dimensions (continued)

## CA-M10D-1

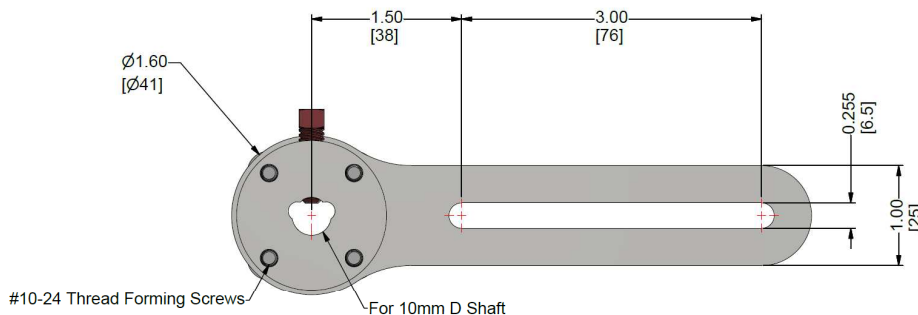


## CA-M10D-2

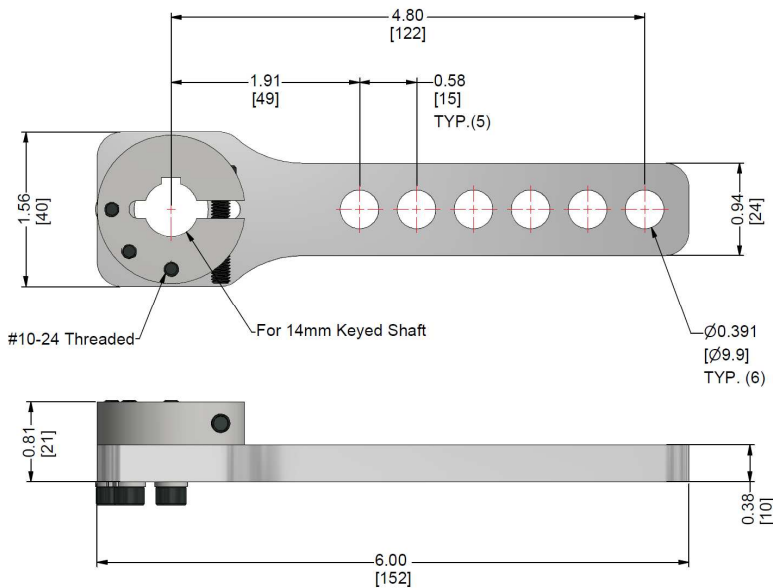


## Dimensions (continued)

### CA-M10D-3



### CA-M14K-1



Information in this publication is based on current specifications. The company reserves the right to make changes in specifications and models as design improvements are introduced. Product or company names mentioned herein may be the trademarks of their respective owners. © 2018 SCC Inc.