



Bridge Key USB Communications Kit

Thank you for purchasing a Bridge Key USB Communications Kit.

The Bridge Key is compatible with a range of Define Instruments products, and contains the hardware required for PC connection to your compatible device:

1x Bridge Key

Universal USB programming key

1x Head mount adapter*

Required for head mount transmitters only (TM-2HL & TM-2HLI)

* Not included with special offer Bridge Keys.



1x Interface cable

Connects the Bridge Key to your device

1x USB extension cable*

Used if the computer's USB port is difficult to access

SAFETY NOTICES

Please read and carefully observe all safety regulations and instructions contained in this manual, and the user manual for your Bridge Key compatible product.



CAUTION - Risk of danger

Use of this product in a manner not specified by the manufacturer may cause damage to the Bridge Key, your PC, or other connected equipment. Please refer to the documentation wherever this symbol is marked on your Bridge Key (or Bridge Key compatible product).

QUICK START

1 Consult user manual (p2)



2 Install software (p3)



3 Connect cables (p3)



4 Plug in Bridge Key (p4)





1 - Refer to your product manual

This Bridge Key guide is intended as a quick reference only.

For full instructions on software setup of your product, please refer to the product manual:



TM Transmitters

defineinstruments.com/tm-manual



Javelin Transmitter

defineinstruments.com/javelin-manual



Merlin

defineinstruments.com/merlin-manual



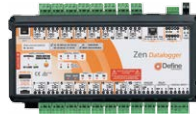
Sentry

defineinstruments.com/sentry-manual



Twin Link

defineinstruments.com/p2p-manual



Zen Datalogger

defineinstruments.com/zen-log-manual



Zen RTU

defineinstruments.com/zen-rtu-manual



2 - Install the required software

Install the appropriate software for your device. If you have already connected the Bridge Key, please unplug it and install the software first.



ToolBox (Merlin, Sentry, Twin Link & Transmitters)

defineinstruments.com/toolbox



WorkBench (Zen Series)

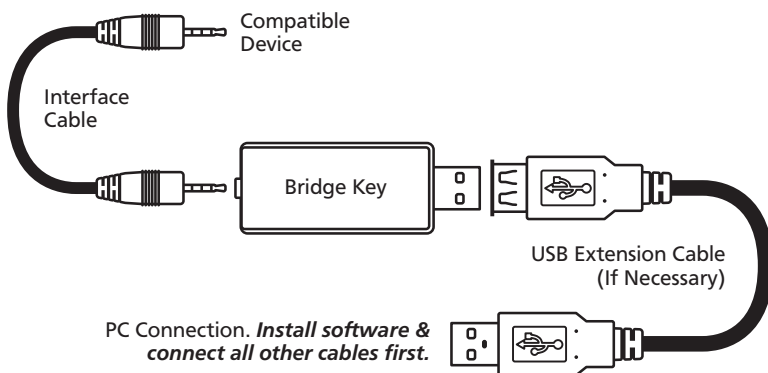
defineinstruments.com/workbench



3 - Securely connect all cables

Referring to your product manual, connect the Bridge Key to your device using the interface cable and any other required components*.

* *Note that the USB extension cable and head mount adapter are not included with special offer Bridge Keys.*



CAUTION

Risk of damage to equipment or PC

Ensure that all connections between the Bridge Key and your device are secure. Connecting with cables that are not firmly 'pushed in' could result in connection faults or damage to equipment.



4 - Plug in the Bridge Key

Once all cables are securely connected to the Bridge Key and your device, you may plug the Bridge Key into your PC, and connect to your product using the appropriate software.

For setup instructions, please refer to your product manual.



Define Instruments

New Zealand (Head Office)

 10B Vega Place, Rosedale,
Auckland 0632, New Zealand
PO Box 245 Westpark Village,
Auckland 0661, New Zealand

Ph: +64 (9) 835 1550

Fax: +64 (9) 835 1250

 sales@defineinstruments.co.nz

www.defineinstruments.co.nz

United States (Dallas, TX)

Ph: (214) 926 4950

 sales@defineinstruments.com

www.defineinstruments.com

South Africa (Pretoria)

 sales@defineinstruments.co.za

www.defineinstruments.co.za