

TTC | Temperature Controller



TTC

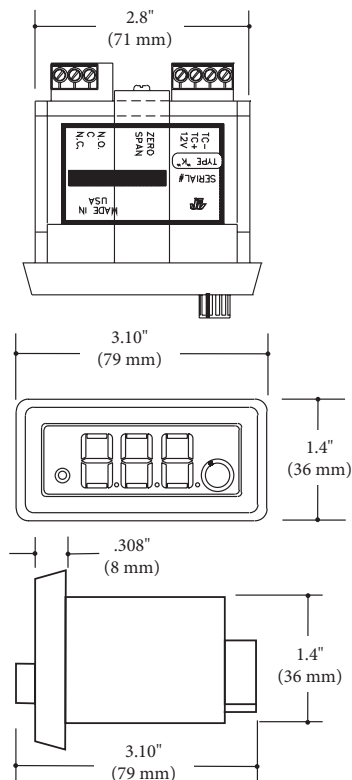
The TTC is a solid state temperature controller with a compact design. Its three-digit LED display reads temperatures with a 1° resolution. The epoxy encapsulated case is watertight and resistant to shock and vibration.

FEATURES

- Thermocouple input (Type J or K).
- Accuracy 1% full scale \pm LSD.
- Three digit LED display.
- °F and °C scaling.
- Screw terminal connections.
- Hysteresis 1° to 2° typical; can be factory preset to 10°.
- Shock and vibration resistant.

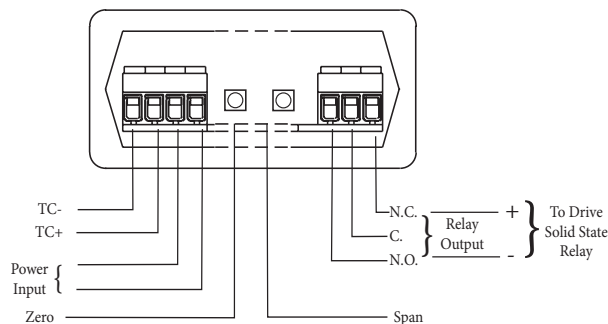
TTC | Temperature Controller

Dimensions



NOTE: Dimensions are for reference only.

Wiring Diagram



Specifications

Sensor: Thermocouple (Type J or K)

NOTE: Ungrounded thermocouples are required when multiple controllers/indicators are used or if the transformer is grounded.

Accuracy: 1% Full Scale \pm 1 LSD

Power: 12 VAC/DC (24 VAC, 115 VAC, 230 VAC with external transformer), 50/60 Hz.

Control: On/Off

Output: 10 Amp. Relay, Standard (Resistive Load) or 12-16 VDC @ 30 mA

Temperature Range: 50°F to 990°F
(10°C to 530°C)

Ambient Operating Temperature: -30°F to 140°F
(-35°C to 60°C)

Ambient Storage Temperature: -40°F to 180°F
(-40°C to 82°C)

Connections: Terminal - Screw Terminal

Hysteresis: Typically 1-2° unless offered otherwise

Display: 3-Digit LED (0.56" Ht.)

Package: Panel Mount Epoxy Encapsulated

Shipping Weight: 1 lb. (.45 kg)

Limitation of Liability. If it is understood and agreed that seller's liability whether in contract, in tort, under any warranty, in negligence or otherwise, shall not exceed the return of the amount of the purchase price paid by purchaser and under no circumstances shall seller be liable for special, indirect or consequential damages. The price stated for the equipment is a consideration in limiting seller's liability. No action, regardless of form, arising out of the transactions may be brought by purchaser more than one year after the cause of action has accrued.

P/N 1020381 Rev. B 04/16