

TFH | Temperature Monitor, Timer, and High-Limit Controller



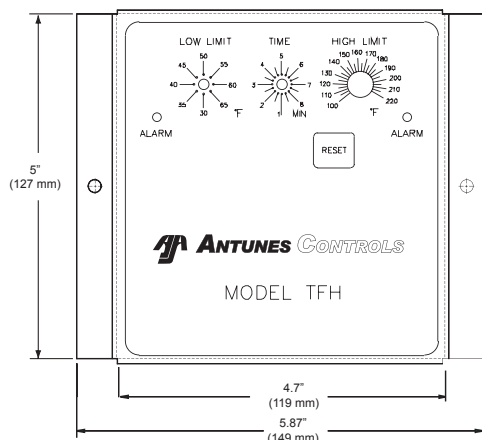
The TFH is a three-in-one freeze-stat that incorporates a temperature monitor, delay timer, and high-limit controller into one compact and conventional unit. It is typically used in air make-up equipment. The low limit monitors the temperature to the desired setpoint and will shut down the system if the setpoint is not achieved by the setpoint time. The high limit monitors the temperature and will shut down the system if the temperature exceeds the setpoint.

FEATURES

- Low limit.
- Fail safe design.
- High limit with manual reset.
- UL 353 and applicable parts of UL 991 approval.
- Three controls in one compact unit.
- Electronic control for reliability.
- Easy to install.
- Offers various sensor lengths.
- Indicator lamps for high or low limit.

TFH | Temperature Monitor, Timer, and High-Limit Controller

Dimensions



NOTE: Dimensions are for reference only.

Specifications

Sensor Type: 100K Thermistor (Dual) - Length (15 ft.)
Other lengths available upon request.

Accuracy: +/- 3°F of Setpoint

Power Input: 24 VAC, 120 VAC

Control Operation: Low Limit - Closes on Rise
High Limit - Opens on Rise

Output Ratings:

Low Limit - 8 Amp S.P.D.T. Relay Max. @ 240 VAC Max.
High Limit - 8 Amp S.P.S.T. Relay Max. @ 240 VAC Max.
(Resistive Load)

Adjustable Time Delay Range: 1-8.5 Minutes

Adjustable Temperature Range: Low Limit: 30°F-65°F
High Limit: 100°F-220°F

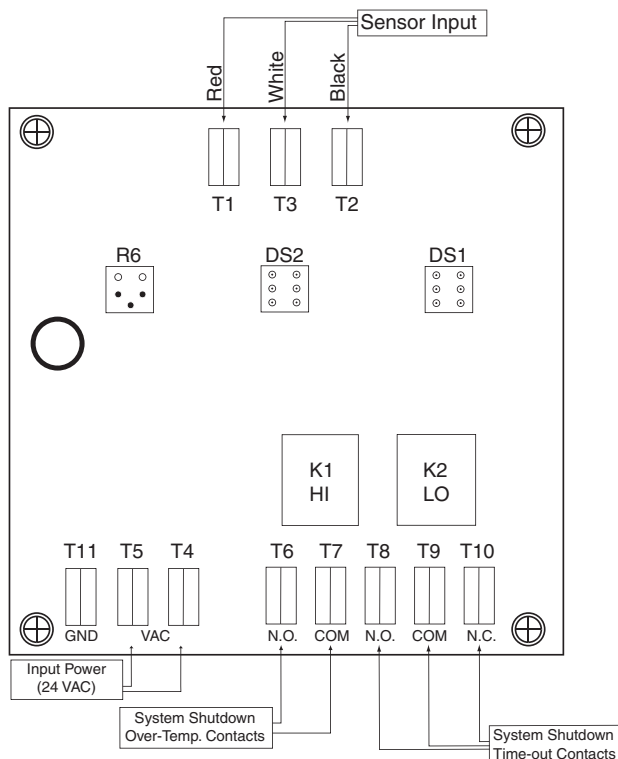
Ambient Operating Temperature: -30°F-140°F (-35°F-60°C)

Connections: 1/4" Quick Connects,
6" Wire Leads (Optional)

Package: Aluminum "C" Bracket - 5.1"L x 5.9"W x 3.1"D (shown) Full Enclosure w/conduit knockout (optional)

Shipping Weight: 2 lbs. (.9 kg)

Panel Cut-Out



Connections

Thermistor Input	T1, T2 & T3 (100K ohm @ 25°C)
Power Input	T4 & T5 (24-120 VAC)
Low Limit Relay	T8 (N.O.), T9 (COM) & T10 (N.C.)
High Limit Relay	T6 (N.O.), T7 (COM)

Limitation of Liability. If it is understood and agreed that seller's liability whether in contract, in tort, under any warranty, in negligence or otherwise, shall not exceed the return of the amount of the purchase price paid by purchaser and under no circumstances shall seller be liable for special, indirect or consequential damages. The price stated for the equipment is a consideration in limiting seller's liability. No action, regardless of form, arising out of the transactions may be brought by purchaser more than one year after the cause of action has accrued.

P/N 1020385 Rev. B 04/16



Antunes delivers a complete range of countertop cooking equipment and water filtration solutions to foodservice operations around the world. Learn more about Antunes and its products at www.antunes.com.

U.S. Headquarters
Carol Stream, Illinois
Phone: (630) 784-1000
Toll Free: (800) 253-2991
Fax: (630) 784-1650

China Facility
Suzhou, China
Phone: 86-512-6841-3637
Toll Free: 86-512-6841-3907
Fax: 400-0-7878-22