

HLC | High Limit Control



HLC

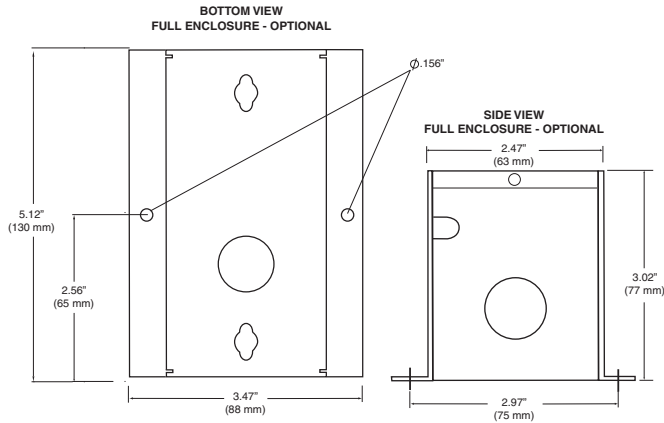
The HLC is a state-of-the-art electronic high-limit controller with a bolt-down sensor and manual reset. Compact and easy to install, it can be mounted onto any suitable flat surface and is available in different sensor lengths.

FEATURES

- High limit with manual reset.
- Electronic control for reliability.
- UL 353 and applicable parts of UL 991 approval.
- Available with various sensor lengths.
- Mountable on any flat surface.
- Replaceable sensor.
- Fault indication LED.
- Fail safe design.

HLC | High Limit Control

Dimensions



NOTE: Dimensions are for reference only.

Specifications

Sensor Type: 100K Thermistor (Dual) - Length 15 ft. (4.6 m)

Other lengths available upon request.

Accuracy: +/- 3°F of Setpoint

Power Input: 24 VAC, 120 VAC, 60 Hz.

Control Operation: High Limit - Opens on Temperature Rise

Output Ratings: High Limit - 8 Amp. Max. S.P.S.T. Relay,
240 VAC Max. (Resistive Load)

Adjustable Temperature Range: High Limit: 180°F to 300°F
or 100°F to 220°F

Ambient Operating Temperature: -30°F to 140°F
(-35°C to 60°C)

Connections: 1/4" Quick Connects

Package: Aluminum "C" Bracket
Full Enclosure with Conduit Knockout (optional)

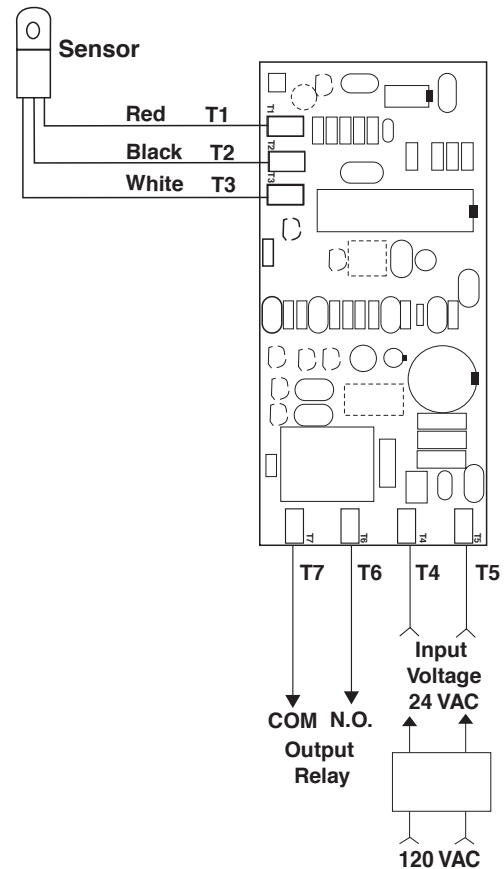
Shipping Weight: 2 lbs. (.9 kg)

Faults

Fault Indication: When the LED is "ON" the unit is latched and in a safe condition (relay open). It can only be reset when the fault condition is cleared.

Fault Conditions: Over temperature (compared to setpoint). Open or shorted sensor. Any on-board component failure.

Wiring Diagram



Connections

Thermistor Input T1, T2 & T3 (100K ohm @ 25°C)

Power Input T4 & T5 (24-120 VAC)

High Limit Relay T6 (N.O.), T7 (COM)

Limitation of Liability. If it is understood and agreed that seller's liability whether in contract, in tort, under any warranty, in negligence or otherwise, shall not exceed the return of the amount of the purchase price paid by purchaser and under no circumstances shall seller be liable for special, indirect or consequential damages. The price stated for the equipment is a consideration in limiting seller's liability. No action, regardless of form, arising out of the transactions may be brought by purchaser more than one year after the cause of action has accrued.

P/N 1020380 Rev. C 04/16