

Features

- 2-way normally closed operation
- Die-cast aluminum bodies
- For positive shutoff on pilot or main gas lines of commercial and industrial gas burners
- Valves provided with 1/8" NPT upstream and downstream pipe tap with plug for routine testing
- Suitable for ambient temperatures up to 175°F

Construction

Valve Parts in Contact with Fluids	
Body	Aluminum
Seals and Disc	NBR
Washer	302 Stainless Steel
Core Tube	305 Stainless Steel
Core and Plugnut	430F Stainless Steel
Core Guide	CA
Springs	302F Stainless Steel
Shading Coil	Copper
Body Gasket	Cork
Pipe Plug	Zinc-Plated Steel

Electrical

Standard Coil and Class of Insulation	Watt Rating and Power Consumption			Ambient Temp. °F	Spare Coil Family	
	AC				General Purpose	Explosionproof
	Watts	VA Holding	VA Inrush		AC	AC
F	10.5	23	55	-40 to 175	064982	-

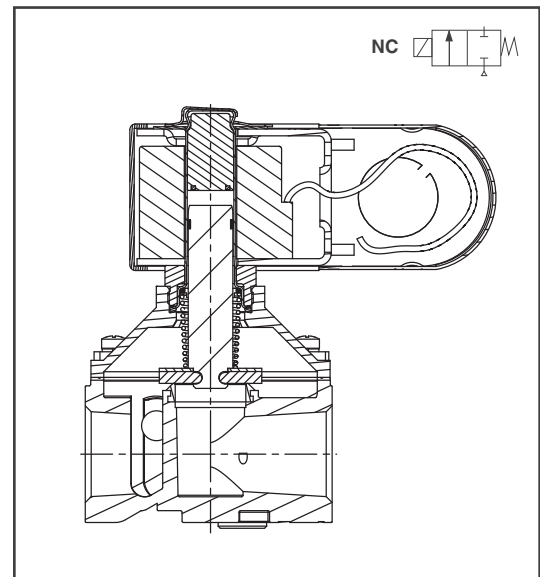
Standard Voltages: 24, 120, 240 volts AC, 60 Hz (or 110, 220 volts AC, 50 Hz). K3A catalog number includes codification for voltage. However, voltage must be specified when ordering spare coil.

Solenoid Enclosures

Standard: Type 1 General Purpose Junction Box Housing with two 7/8" knock-outs.

Valve Response Time

Opening Time: Less than 1 second; **Closing Time:** Less than 1 second



Approvals

UL listed to standard 429 "Electrically Operated Valves," Guide Y10Z, File MP932 Safety Valves.

FM Approved to Class 7400 "Liquid and Gas Safety Shutoff Valves" (3/8" thru 3/4" only).

CSA Certified to:

- 1) Standard C22.2 No. 139 "Electrically Operated Valves," File 113070.
- 2) Automatic Gas Valves Z21.21 (6.5), File 109157 and 113070
- 2) Automatic Gas Safety Shutoff Valves C/I (3.9), File 113070

Specifications (English units)

Pipe Size (ins.)	Orifice Size (ins.)	Cv Flow Factor	Gas Capacity ① Btu/hr.	Operating Pressure Differential (psi)		Max. Fluid Temp. °F	Catalog Number			Const. Ref.	Agency			Wattage	Approx. Shipping Weight (lbs)
				Min.	Max.		24V 60 Hz	110-120V 50-60 Hz	220-240V 50-60 Hz		UL	FM	CSA		
COMBUSTION (Fuel Gas) - NORMALLY CLOSED															
3/8	0.456	4	215,000	0	0.5	77	K3A431U	K3A432U	K3A434U	1	○	○	○	10.5	1.4
1/2	0.687	6	350,000	0	0.5	77	K3A441U	K3A442U	K3A444U	1	○	○	○	10.5	1.4
3/4	0.812	9	520,000	0	0.5	77	K3A451U	K3A452U	K3A454U	2	○	○	○	10.5	1.5
1	1.000	14	755,000	0	0.5	77	K3A461U	K3A462U	K3A464U	3	○	-	○	10.5	1.7

○ = Safety Shutoff Valve. ① 1" W.C. Drop @ 2" W.C. Inlet Pressure, 1,000 Btu/cu.ft. or more, 0.64 Specific Gravity Gas.

Specifications (Metric units)

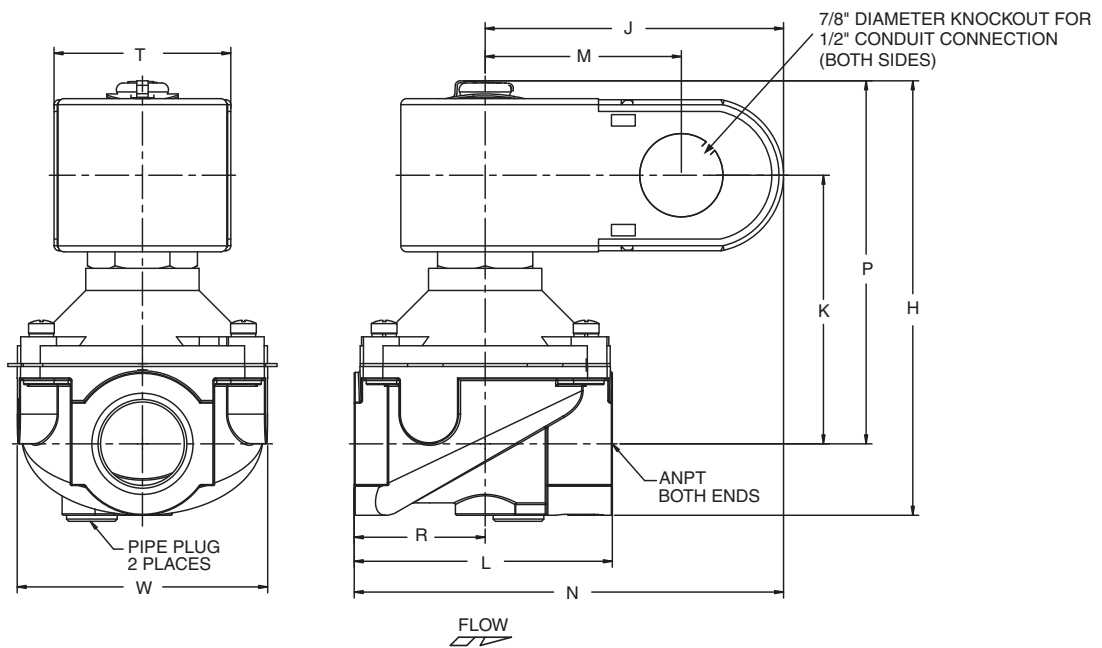
Pipe Size (ins.)	Orifice Size (mm)	Kv Flow (m³/hr)	Gas Capacity ① Btu/hr.	Operating Pressure Differential (bar)		Max. Fluid Temp. °C	Catalog Number			Const. Ref.	Agency			Wattage	Approx. Shipping Weight (kgs)
				Min.	Max.		24V 60 Hz	110-120V 50-60 Hz	220-240V 50-60 Hz		UL	FM	CSA		
COMBUSTION (Fuel Gas) - NORMALLY CLOSED															
3/8	12	3.4	215,000	0	0.03	25	K3A431U	K3A432U	K3A434U	1	○	○	○	10.5	0.6
1/2	17	5.1	350,000	0	0.03	25	K3A441U	K3A442U	K3A444U	1	○	○	○	10.5	0.6
3/4	21	7.7	520,000	0	0.03	25	K3A451U	K3A452U	K3A454U	2	○	○	○	10.5	0.7
1	25	11.9	755,000	0	0.03	25	K3A461U	K3A462U	K3A464U	3	○	-	○	10.5	0.8

○ = Safety Shutoff Valve. ① 1" W.C. Drop @ 2" W.C. Inlet Pressure, 1,000 Btu/cu.ft. or more, 0.64 Specific Gravity Gas.

Dimensions inches (mm)

Const. Ref.		H	J	K	L	M	N	P	R	T	W
1	ins.	4.25	3.11	2.70	2.75	2.04	4.52	3.69	1.41	1.86	2.63
	mm	108	79	69	70	52	115	94	36	47	67
2	ins.	4.56	3.11	2.82	2.75	2.04	4.49	3.81	1.37	1.86	2.63
	mm	116	79	72	70	52	114	97	35	47	67
3	ins.	4.88	3.11	3.01	4.00	2.04	5.11	4.00	2.00	1.86	3.25
	mm	124	79	76	102	52	130	102	51	47	83

Const. Ref. 1, 2, 3



Must be mounted with solenoid upright or horizontal.