

## Features

- 2-way normally closed operation
- Die-cast aluminum bodies
- Zero differential piloted diaphragm
- For on-off control of fuel gas in commercial and industrial gas burners
- Valves provided with pipe tap(s) with plug for routine testing
- Suitable for ambient temperatures up to 175°F

## Construction

Valve Parts in Contact with Fluids	
Body	Aluminum
Seals and Disc	NBR
Washer	302 Stainless Steel
Core Tube	305 Stainless Steel
Core and Plugnut	430F Stainless Steel
Core Guide	CA
Springs	302F Stainless Steel
Shading Coil	Copper
Body Gasket	Cork
Pipe Plug	Zinc-Plated Steel

## Electrical

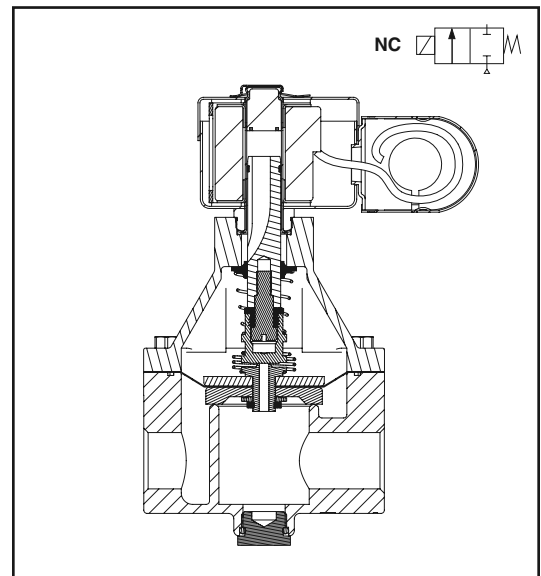
Standard Coil and Class of Insulation	Watt Rating and Power Consumption			Ambient Temp. °F	Spare Coil Family	
	AC				General Purpose	Explosionproof
	Watts	VA Holding	VA Inrush		AC	AC
N	20	43	240	-20 to 175	222345	-

## Solenoid Enclosures

**Standard:** Type 1 General Purpose Junction Box housing with two 7/8" knockouts.

## Valve Response Time

**Opening Time:** Less than 1 second; **Closing Time:** Less than 1 second



## Approvals

UL listed to standard 429 "Electrically Operated Valves," Guide Y10Z, File MP932 Safety Valves.

FM Approved to Class 7400 "Liquid and Gas Safety Shutoff Valves" (3/8" thru 3/4" only).

CSA Certified to:

- 1) Standard C22.2 No. 139 "Electrically Operated Valves," File 113070.
- 2) Automatic Gas Valves Z21.21 (6.5), File 109157 and 113070.
- 2) Automatic Gas Safety Shutoff Valves C/I (3.9), File 113070.

**Specifications (English units)**

Pipe Size (ins.)	Orifice Size (ins.)	Cv Flow Factor	Gas Capacity ① Btu/hr.	Operating Pressure Differential (psi)		Max. Fluid Temp. °F	Catalog Number			Const. Ref.	Agency			Wattage	Approx. Shipping Weight (lbs)
				Min.	Max.		24V 60 Hz	120V 60 Hz	240V 60 Hz		UL	FM	CSA		
<b>COMBUSTION (Fuel Gas) - NORMALLY CLOSED</b>															
3/8	3/4	5.3	217,000	0	30	77	S261SG01N3CG5	S261SG02N3CG5	S261SG04N3CG5	1	○	○	○	20	3.0
1/2	3/4	6.2	322,000	0	30	77	S261SG01N3DG5	S261SG02N3DG5	S261SG04N3DG5	1	○	○	○	20	3.2
3/4	3/4	8	370,000	0	30	77	S261SG01N3EG5	S261SG02N3EG5	S261SG04N3EG5	1	○	○	○	20	3.3
1	1 1/2	18	1,120,000	0	25	77	S261SG01N3FJ5	S261SG02N3FJ5	S261SG04N3FJ5	2	○	-	○	20	4.4
1 1/4	2	34	1,710,000	0	25	77	S261SG01N3GJ7	S261SG02N3GJ7	S261SG04N3GJ7	3	○	-	○	20	4.4
1 1/2	2	37	1,790,000	0	25	77	S261SG01N3HJ7	S261SG02N3HJ7	S261SG04N3HJ7	3	○	-	○	20	12.5
2	4 1/2	80	4,180,000	0	25	77	S261SG01N3JK4	S261SG02N3JK4	S261SG04N3JK4	4	○	-	○	20	12.5
2 1/2	4 1/2	110	5,700,000	0	25	77	S261SG01N3KK4	S261SG02N3KK4	S261SG04N3KK4	5	○	-	○	20	14.2
3	4 1/2	135	7,100,000	0	25	77	S261SG01N3LK4	S261SG02N3LK4	S261SG04N3LK4	5	○	-	○	20	14.2

○ = Safety Shutoff Valve. ① 1" W.C. Drop @ 2" W.C. Inlet Pressure, 1,000 Btu/cu.ft. or more, 0.64 Specific Gravity Gas.

**Specifications (Metric units)**

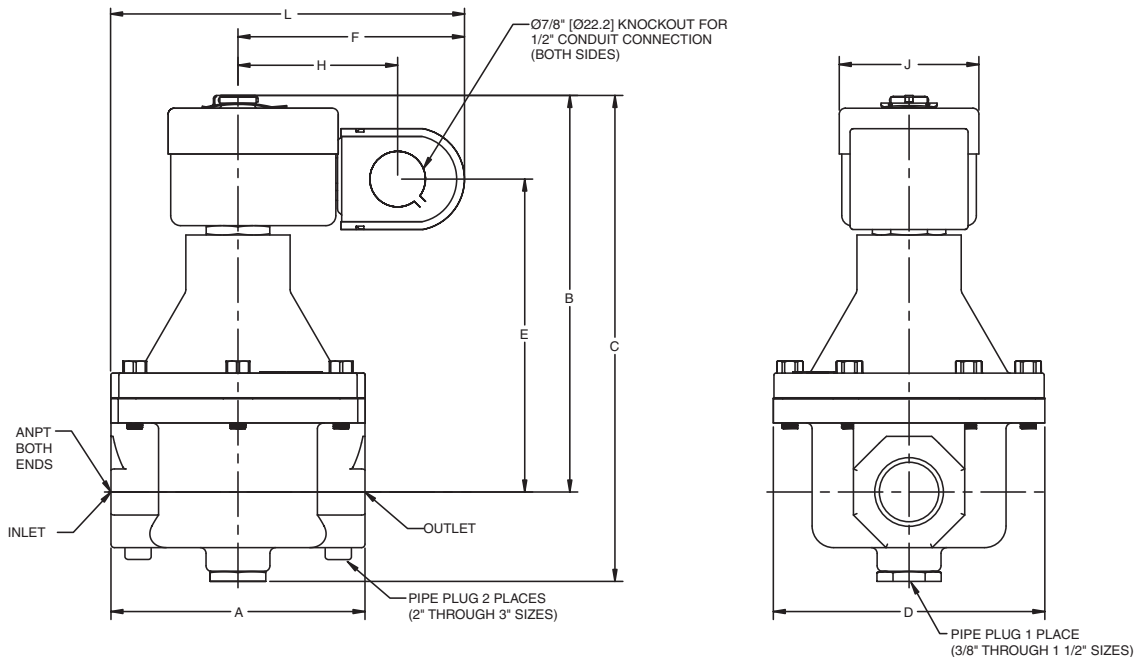
Pipe Size (ins.)	Orifice Size (mm)	Kv Flow (m³/hr)	Gas Capacity ① Btu/hr.	Operating Pressure Differential (bar)		Max. Fluid Temp. °C	Catalog Number			Const. Ref.	Agency			Wattage	Approx. Shipping Weight (kgs)
				Min.	Max.		24V 60 Hz	120V 60 Hz	240V 60 Hz		UL	FM	CSA		
<b>COMBUSTION (Fuel Gas) - NORMALLY CLOSED</b>															
3/8	19	4.5	217,000	0	2.1	25	S261SG01N3CG5	S261SG02N3CG5	S261SG04N3CG5	1	○	○	○	20	1.4
1/2	19	5.3	322,000	0	2.1	25	S261SG01N3DG5	S261SG02N3DG5	S261SG04N3DG5	1	○	○	○	20	1.5
3/4	19	6.8	370,000	0	2.1	25	S261SG01N3EG5	S261SG02N3EG5	S261SG04N3EG5	1	○	○	○	20	1.5
1	38	15.3	1,120,000	0	1.7	25	S261SG01N3FJ5	S261SG02N3FJ5	S261SG04N3FJ5	2	○	-	○	20	2.0
1 1/4	51	28.9	1,710,000	0	1.7	25	S261SG01N3GJ7	S261SG02N3GJ7	S261SG04N3GJ7	3	○	-	○	20	2.0
1 1/2	51	31.5	1,790,000	0	1.7	25	S261SG01N3HJ7	S261SG02N3HJ7	S261SG04N3HJ7	3	○	-	○	20	5.7
2	114	68.0	4,180,000	0	1.7	25	S261SG01N3JK4	S261SG02N3JK4	S261SG04N3JK4	4	○	-	○	20	5.7
2 1/2	114	93.5	5,700,000	0	1.7	25	S261SG01N3KK4	S261SG02N3KK4	S261SG04N3KK4	5	○	-	○	20	6.5
3	114	114.5	7,100,000	0	1.7	25	S261SG01N3LK4	S261SG02N3LK4	S261SG04N3LK4	5	○	-	○	20	6.5

○ = Safety Shutoff Valve. ① 1" W.C. Drop @ 2" W.C. Inlet Pressure, 1,000 Btu/cu.ft. or more, 0.64 Specific Gravity Gas.

### Dimensions inches (mm)

Const. Ref.		A	B	C	D	E	F	H	J	L
1	ins.	2.75	5.48	6.54	2.31	4.07	3.53	2.50	2.19	4.90
	mm	70	139	166	59	103	90	64	56	124
2	ins.	4.00	6.35	7.60	4.27	4.94	3.53	2.50	2.19	5.53
	mm	102	161	193	108	125	90	64	56	140
3	ins.	4.76	6.73	8.35	4.77	5.32	3.53	2.50	2.19	5.91
	mm	121	171	212	121	135	90	64	56	150
4	ins.	8.12	7.20	9.57	7.69	5.85	3.53	2.50	2.19	7.59
	mm	206	183	243	195	149	90	64	56	193
5	ins.	9.00	8.06	10.62	7.69	6.65	3.53	2.50	2.19	8.03
	mm	229	205	270	195	169	90	64	56	204

### Const. Ref. 1 - 5



Must be mounted with solenoid upright or horizontal on 3/8" to 1 1/2" pipe sizes.  
For 2" to 3", must be mounted with solenoid vertical only.

