

# 425 Series

2 piece • Full Port • Chrome Plated Body • 400 WOG



425 Series

### Features

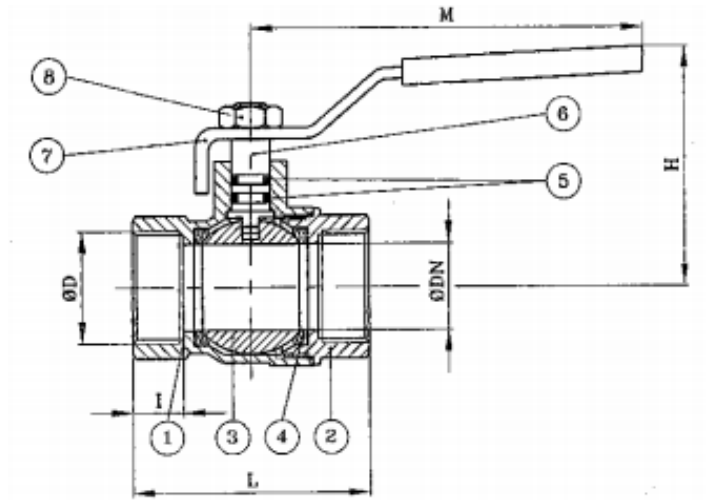
- Chrome plated body and ball
- Blow-out proof stem
- NPT Connections
- 1/4" - 1" available with butterfly handles
- Minus 40°C Service
- Durable reinforced handle design

### Approvals

- CSA 3.16

### Valve Seat Rating

- 400 WOG



### Material Specifications

No.	Part	Materials
1	Body	Chrome Plated Brass
2	Brass Shoulder	Chrome Plated Brass
3	Ball	Chrome Plated Brass
4	Seat	PTFE
5	O-Ring	NBR
6	Metal Ring	
7	Lever Handle	Zinc Coated
8	Nut	Zinc Coated

\* Note: Sizes 2-1/2", 3", 4" utilize adjustable packing gland design.

### Dimensions

Part No.	Size	DN	L	I	M	H
NE-425-00	1/4"	10	46	11.5	81	38
NE-425-01	3/8"	10	47.5	11.5	81	38
NE-425-02	1/2"	14	56.7	15.5	93	52.5
NE-425-03	3/4"	18.5	63	16.1	93	57.5
NE-425-04	1"	23.5	75	19	112	62
NE-425-05	1-1/4"	30	86	20	112	66
NE-425-06	1-1/2"	37	95.5	20	143	77
NE-425-08	2"	47	108.5	20.5	143	81.5
NE-425/171-10	2-1/2"	60	137.7	26	280	127
NE-425/171-12	3"	74	162	27	280	138.5
NE-425/171-16	4"	96	183.5	28	280	151