



50 Clarke Street South, Box 427,
Woodstock, Ontario N4S 7Y5
Tel.: (519) 539 8531

DATA SHEET No.:
CSK 1886

REVISION No.:
A

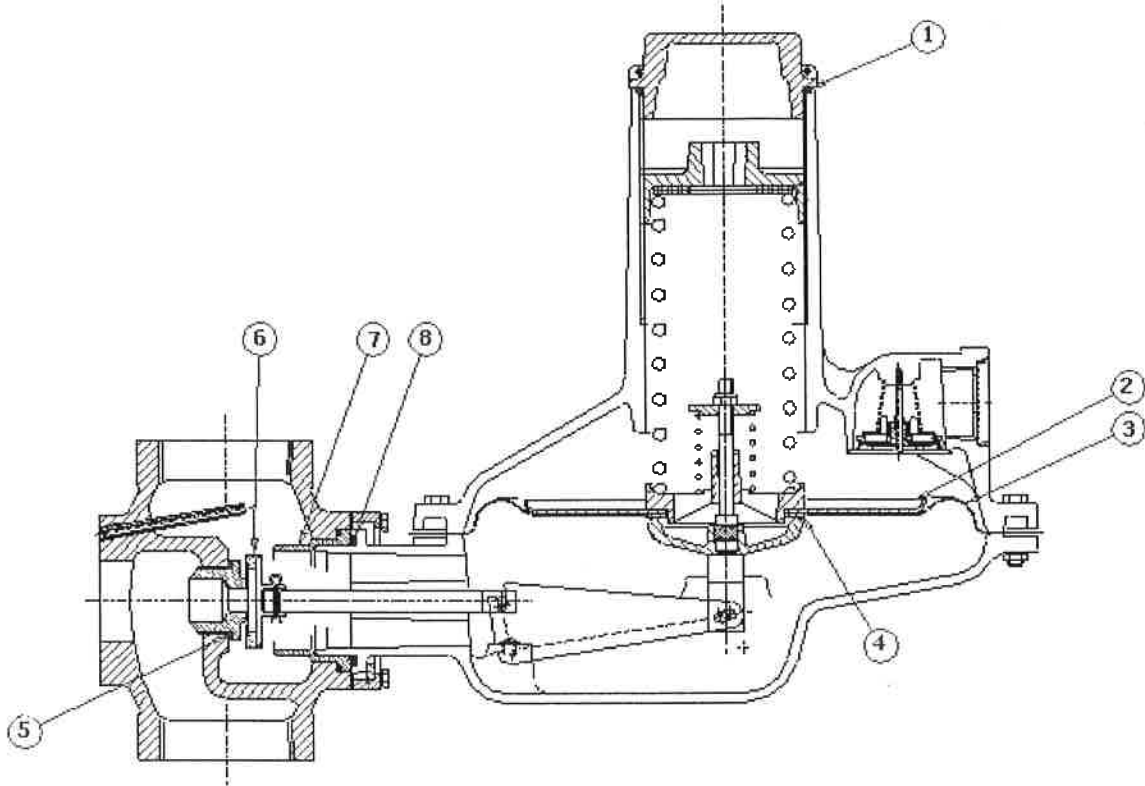
ISSUE DATE:
September 2005

LAST REVISION DATE:
January 2012

ISSUED BY:
K.Reeves

PAGE:
1 of 1

SUBJECT:
Spares Kit – Model 274 R



ITEM NO.	DESCRIPTION	QTY.	PART NUMBER	MATERIAL
1	O'RING	1	BS/USA 232	Nitrile
2	R' & LR' TYPE DIAPHRAGM PLATE	1	206/XH/029	Plated Steel
3	R' & LR' TYPE DIAPHRAGM	1	MJ/004	
4	O'RING(M30 HEX ORIFICE)	1	BS/USA 120	Nitrile
5 & 6	VALVE ASSEMBLY	1	MM/001	Aluminum
	ORING (M39 RD ORIFICE)	1	BS/USA128	Nitrile
7	O'RING	1	BS/USA 141	Nitrile
8	O'RING	1	BS/USA 226	Nitrile