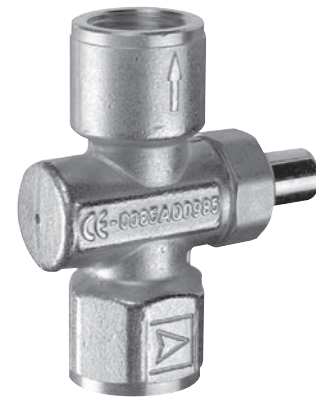




Table of Contents

Table of Contents Page 1
 Approvals Page 1
 Attention Page 1
 Specification Page 2
 Dimensions Page 3
 Operation and Mounting PBV Page 4



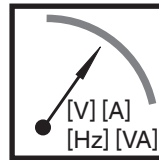
Approvals

DVGW VP 308 “Gas Shutoff Valves for Pressure Gauges”
 CE 0085 AQ 0985 to EU directive EU/90/396/EWG

Attention



The installation and maintenance of this product must be done under the supervision of an experienced and trained specialist. Never perform work if gas pressure or power is applied, or in the presence of an open flame.



Check the ratings in the specifications to make sure that they are suitable for your application.



Please read the instruction before installing or operating. Keep the instruction in a safe place. You find the instruction also at www.dungs.com. If these instructions are not heeded, the result may be personal injury or damage to property.



On completion of work on the Push Button Valve, perform a leakage and function test.



This product is intended for installations covered by, but not limited to, the following codes and standards: NFPA 86, CSD-1, NFPA 85, NFPA 37 or CSA B149.3.

Explanation of symbols

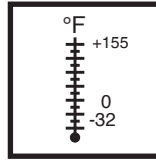
- 1, 2, 3 ... = Action
- = Instruction

Specification

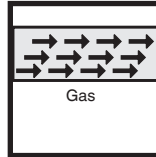
Push Button Valve The push button valve (PBV) replaces a manual ball valve when mounting pressure gauges to the gas piping. When manually actuated by pushing a spring return button, the pressure on the gauge can be read. Once released, the PBV automatically closes, and the pressure on the gauge is automatically removed. The PBV increases the life of the pressure gauge and protects the gauge from pressure surges, and it is used as a means to verify gauge still properly works.



Max. Operating Pressure
MOP = 70 PSI (5 bar)



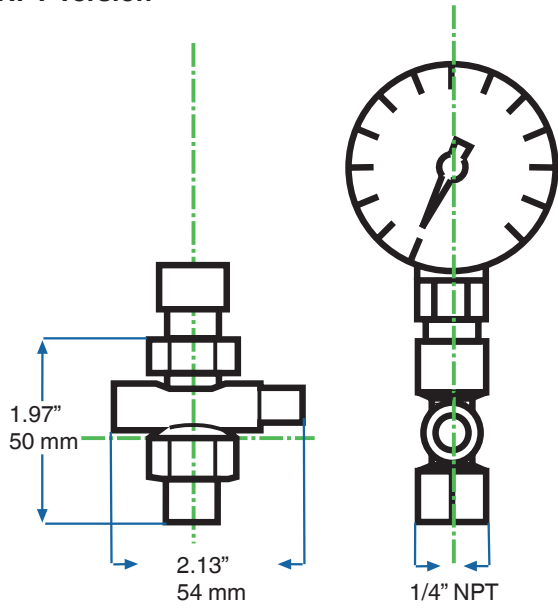
Ambient Temperature
-5 °F ... +145 °F
(-20 °C ... +60 °C)
Fluid Temperature
-32 °F ... +155 °F
(-0 °C ... +70 °C)



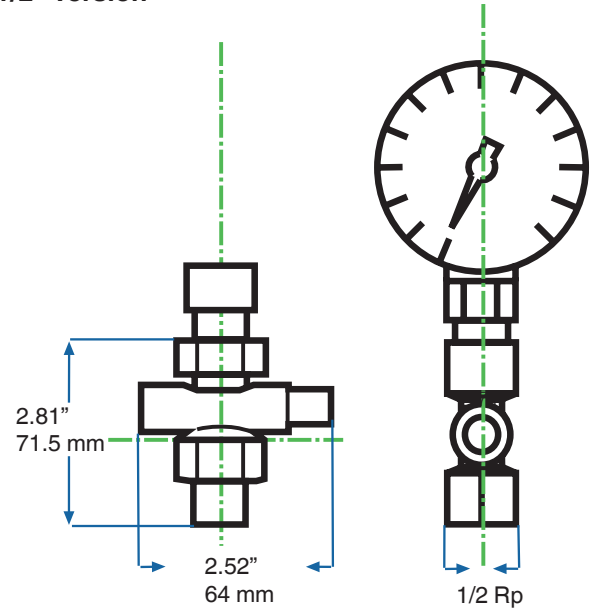
Gases
Dry, natural gas, propane, butane;
other noncorrosive gases. A "dry"
gas has a dew point lower than
+15 °F and its relative humidity is
less than 60 %.

Dimensions

1/4" NPT Version

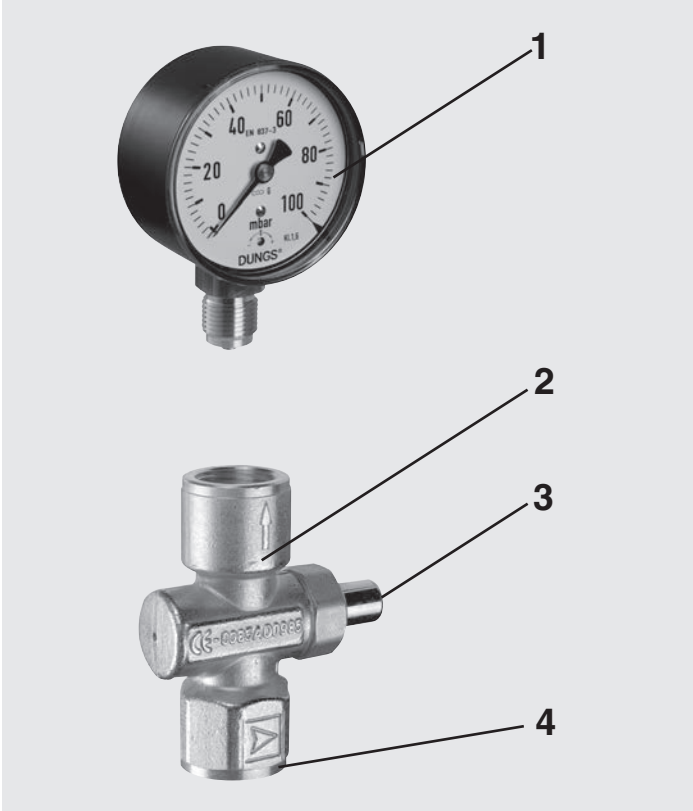


Rp 1/2" Version



Description	Connection Type	Order No.
Push Button Valve	1/4" NPT	267055
Push Button Valve (Includes 1 Metal Seal)	Rp 1/2"	266828
Metal Seal		227125

Operation and Mounting PBV



- 1) Pressure Gauge
- 2) Push Button Valve
- 3) Push to read gauge pressure, and release to remove pressure from gauge
- 4) Pipe connection to gas line

Recommended Procedure for Rp 1/2" PVB

- Use new, properly reamed and threaded pipe free of chips and visible defects.
- Install the PBV with the gas flow matching the direction indicated by the arrow on the casting.

⚠ Do not apply pipe sealant to the outlet threads of the Rp 1/2" PBV. The pressure tight connection is achieved by a metal seal (see below).

- The pressure tight connection between the Rp 1/2" PBV and the pressure gauge is a metal seal (Order No. 227125). Place the metal seal into the outlet side of the PBV, and mount the 1/2" pressure gauge. Turn the gauge enough so that it engages and compresses the metal seal, which should be about 1/2 to 1 full turn beyond snug fit.

⚠ Do not re-use the metal seal if the gauge is removed from the PBV. Re-using a seal will likely result in gas leak while reading the pressure gauge.

We reserve the right to make modifications in the course of technical development.

Recommended Procedure for 1/4" NPT PBV

- Use new, properly reamed and threaded pipe free of chips and visible defects.
- Install the PBV with the gas flow matching the direction indicated by the arrow on the casting.
- Apply a moderate amount of proper pipe sealant to the male threads of the NPT pipe, and thread the pipe into the inlet side of the PBV. Do not thread pipe too far. Cracks resulting in leaks or valve malfunction may result from excess pipe in the valve body.

⚠ It is important that pipe sealant does not fall into and plug the outlet of the valve. If the outlet gets plugged, the PBV will not work properly.

- Apply a much smaller amount of proper pipe sealant to the male threads of the pressure gauge.



Karl Dungs, Inc.
3890 Pheasant Ridge Drive NE
Suite 150
Blaine, MN 55449, U.S.A.
Phone 763 582-1700
Fax 763 582-1799
e-mail info@karldungsusa.com
Internet <http://www.dungs.com/usa/>

Karl Dungs GmbH & Co. KG
P.O. Box 12 29
D-73602 Schorndorf, Germany
Phone +49 (0)7181-804-0
Fax +49 (0)7181-804-166
e-mail info@dungs.com
Internet <http://www.dungs.com>