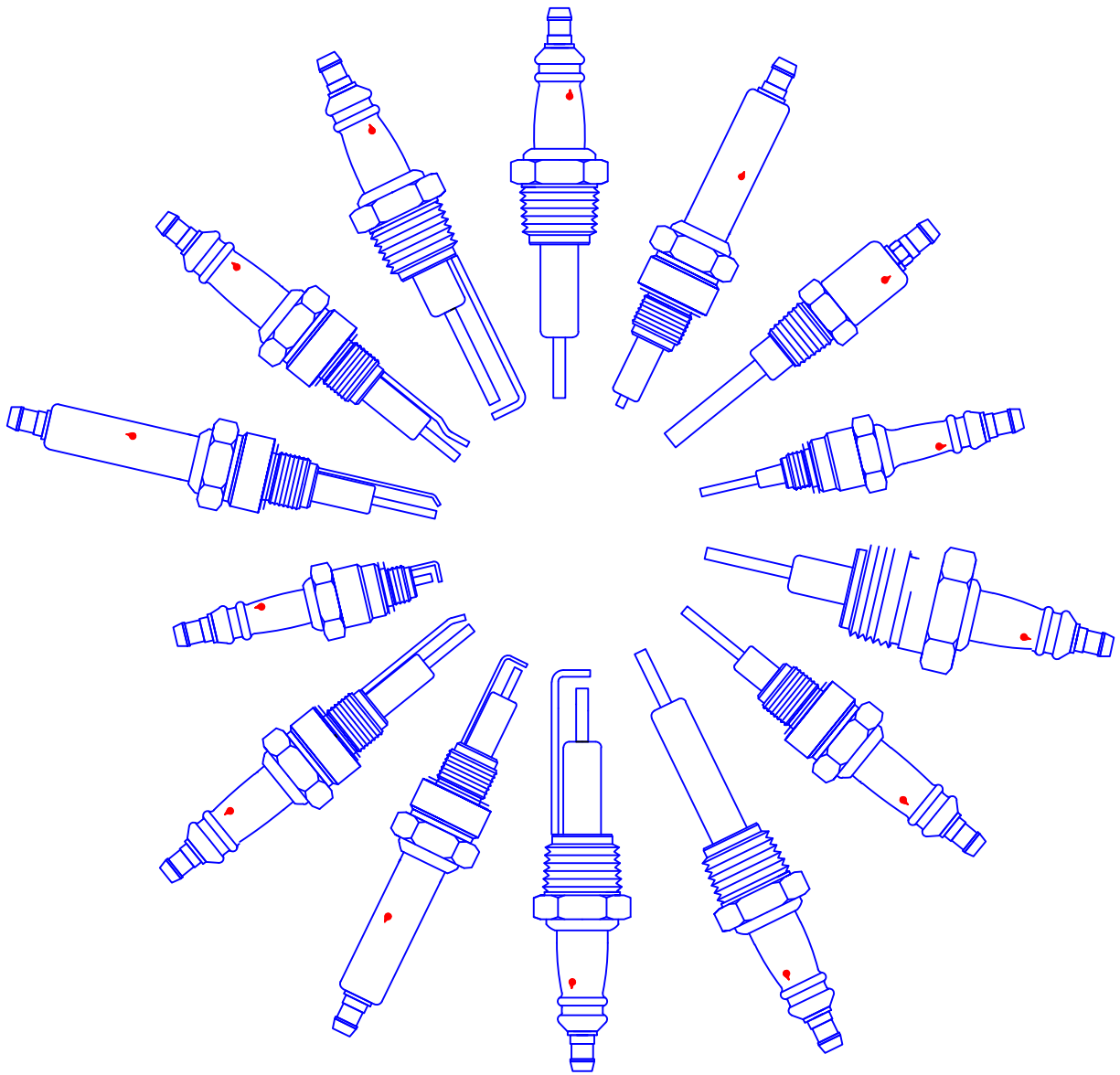


CARREMM CONTROLS

6th EDITION



www.carremmcontrols.com

Online Build-Your-Own Feature

Customized Logos

Cross-Reference from other Brands

Manufactured by North American Suppliers

High Quality industrial igniters and flame rods for use in ovens, burners, process heaters, corn dryers, boilers and incinerators. For OEM and replacement parts in Canada and The United States.

All products are manufactured in the USA and use the best American-made materials available for the application. All ceramics are formed from 96% pure Alumina for superior temperature and rigidity characteristics. Rated for 2700 degrees F, 96% Alumina outperforms and outlasts steatite. Electrodes are formed from Kanthal D, which has outstanding temperature, strength and rigidity characteristics.

Every igniter and flame rod is 100% tested prior to shipment to ensure its performance.

Each Part is labelled with part number for easy identification and is shipped in it's own individual marked container. In addition, custom labelled igniters and flame rods with customers logo and part number are available options.

Custom designs and sizes are also available

Online we have a Build-Your-Own tool, for assistance finding a Flame Rod or Ignitor that meets your requirements use the below links:

www.carremmcontrols.com/products/flame-rod-build-your-own

www.carremmcontrols.com/products/industrial-igniter-build-your-own

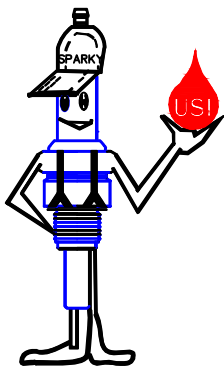

INDEX PAGE
FLAME RODS/IGNITERS

PART NO.	CATALOG PAGE NO.
R6001	10
R6002	10
R6003	10
R6004	10
R6005	10
R6006	10
R6007	10
R6008	10
R6009	10
R6010	10
R6011	10
R6012	10
R6013	10
R6014	10
R6015	10
R6016	10
R6017	10
R6018	10
R6019	12
R6020	12
R6021	12
R6022	12
R6023	12
R6024	12
R6025	11
R6026	11
R6027	11
R6028	11
R6029	11
R6030	12
R6031	12
R6032	12
R6033	14
R6034	14

PART NO.	CATALOG PAGE NO.
R6035	11
R6036	10
R6037	10
R6038	11
R6039	10
R6040	11
R6041	10
R6042	11
R6043	11
R6044	12
R6045	10
R6046	10
R6047	10
R6048	10
R6049	10
R6050	11
R6053	10
R6054	10
R6055	14
R6056	10
R6057	13
R6058	10
R6059	10
R6060	10
R6061	10
R6062	10
R6063	10
R6064	10
R6065	11
R6066	11
R6067	11
R6068	11
R6069	11
R6070	13

PART NO.	CATALOG PAGE NO.
R6071	13
R6072	11
R6073	11
R6074	13
R6075	14
R6076	14
R6077	14
R6078	11
R6079	9
R6080	9
R6081	9
R6082	14
R6083	9
R6084	9
R6086	10
R6087	10
R6088	10
R6089	10
R6090	10
R6091	10
R6092	11
R6093	11
R6095	10
R6110	15
R6113	10
R6116	10
R6125	14
R6126	14
R6129	10
R6130	10
R6131	10
R6132	11
R6134	12

IGNITERS



PART NO.	CATALOG PAGE NO.
P5002	4
P5003	4
P5004	4
P5005	4
P5006	5
P5007	8
P5011	8
P5015	8
P5016	4
P5017	4
P5018	4
P5019	4
P5020	4

PART NO.	CATALOG PAGE NO.
P5021	5
P5022	5
P5023	5
P5025	6
P5026	4
P5030	7
P5031	4
P5032	7
P5033	7
P5034	4
P5035	7
P5036	4
P5038	4

NUTS ARE ZINC PLATED
KANTHAL D & 96% ALUMINA USED EXCLUSIVELY

NOTES

REFERENCE AND PAGE INDEX

CROWN

CROWN PART NO.	PART NO.	CATALOG PAGE NO.
CA100	R6042	11
CA101	R6025	11
CA102	R6026	11
CA103	R6035	11
CA104	R6038	11
CA105	R6043	11
CA106	R6027	11
CA120	R6083	9
CA140	R6045	10
CA141	R6086	10
CA142	R6087	10
CA143	R6088	10
CA144	R6089	10
CA145	R6090	10
CA146	R6091	10
CA160	R6084	9
CA200	R6050	11
CA201	R6065	11
CA202	R6066	11
CA203	R6067	11
CA204	R6068	11
CA205	R6069	11
CA206	R6073	11
CA230	P5017	4
CA231	P5026	4
CA232	P5018	4
CA233	P5019	4
CA235	P5020	4
CA390	R6008	10
CA391	R6009	10
CA392	R6010	10
CA393	R6011	10
CA394	R6014	10
CA430	R6059	10
CA431	R6060	10
CA432	R6001	10
CA433	R6061	10
CA434	R6002	10
CA435	R6062	10

CROWN PART NO.	PART NO.	CATALOG PAGE NO.
CA436	R6003	10
CA437	R6004	10
CA438	R6005	10
CA439	R6006	10
CA440	R6063	10
CA441	R6064	10
CA470	P5030	7
CA471	P5035	7
CA474	P5005	4
CA475	P5003	4
CA477	P5004	4
CA478	P5002	4
CA485	P5032	7
CA488	R6057	13
CA489	P5033	7
CA490	R6070	13
CA496	R6071	13
CA500	P5007	8
CA502	P5011	8
CA503	R6076	14
CA505	P5021	5
CA506	P5006	5
CA507	P5023	5
CA515	P5025	6
CA520	R6021	12
CA528	R6024	12
CA529	R6019	12
CA530	R6022	12
CA531	R6020	12
CA533	R6023	12
CA540	R6030	12
CA541	R6031	12
CA542	R6032	12
CA543	R6044	12
CA635	R6033	14
CA647	R6125	14
CA648	R6126	14
I-2-EI-1	R6029	11
I-2-EI-2	R6028	11

CHAMPION

CHAMPION PART NO.	PART NO.	CATALOG PAGE NO.
F121501	P5025	6
F121508	P5022	5
F121510 (J-13Y)	P5021	5
J99	R6070	13
OA-30	R6011	10
OJ-14-8	P5030	7

CHAMPION PART NO.	PART NO.	CATALOG PAGE NO.
OP-9	R6045	10
OP-10	R6050	11
OY-4-1	P5011	8
OY-6-5	R6071	13
O-5-30	R6042	11
UY-6	P5007	8

REFERENCE AND PAGE INDEX

ECLIPSE

ECLIPSE PART NO.	PART NO.	CATALOG PAGE NO.
10089	P5017	4
11576	P5038	4
11577	P5003	4
11974	P5025	6
12392	R6021	12
12392-1	R6022	12
12392-2	R6023	12
12392-3	R6024	12
12392-4	R6134	12
12568	P5018	4
12978	R6026	11
12978-1	R6027	11
13047	P5030	7
13047-1	P5035	7
13093	R6002	10
13093-1	R6003	10
13093-2	R6004	10
13093-3	R6007	10
13093-4	R6056	10
13093-5	R6058	10
13093-6	R6001	10
13312	R6008	10
13312-1	R6009	10
13312-2	R6011	10
13312-3	R6016	10
13312-4	R6017	10
13312-5	R6013	10
13312-6	R6037	10
13312-7	R6018	10
13312-8	R6036	10
13312-9	R6012	10
13312-10	R6039	10

ECLIPSE PART NO.	PART NO.	CATALOG PAGE NO.
13581	R6028	11
13837	R6029	11
14265-1	R6030	12
14265-2	R6031	12
14265-3	R6032	12
14265-4	R6044	12
16160	P5007	8
16160-1	R6082	14
16927	P5022	5
16927-1	P5023	5
16946-1	R6045	10
16946-2	R6054	10
16946-3	R6046	10
16946-4	R6047	10
16946-5	R6048	10
16946-6	R6049	10
16946-7	R6041	10
16946-9	R6053	10
17071	P5021	5
17232	R6025	11
17232-1	R6078	11
17396	P5019	4
17652	P5020	4
18458	P5011	8
18460	R6033	14
18461	R6075	14
19782	R6055	14
10002219-3	R6129	10
10002219-1	R6130	10
10002219	R6131	10
10002242	R6132	11

MAXON

MAXON PART NO.	PART NO.	CATALOG PAGE NO.
17426	R6043	11
18075	P5021	5
18110	P5007	8
18117	R6062	10
18291	R6003	10
18395	R6004	10
18410	R6005	10
21081	R6061	10
23739	P5022	5

MAXON PART NO.	PART NO.	CATALOG PAGE NO.
24581	R6026	11
24582	R6040	11
25458	P5032	7
33947	R6033	14
34478	R6077	14
35552	R6006	10
41058	R6070	13
43064	R6057	13

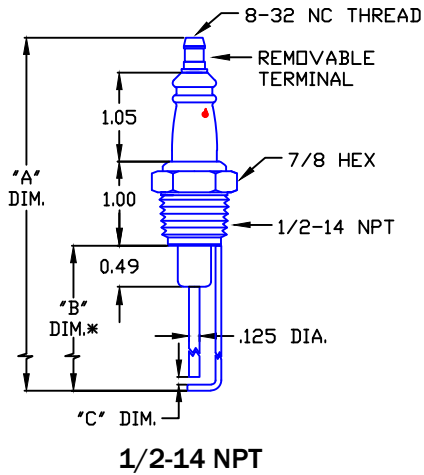
REFERENCE AND PAGE INDEX

AUBURN

AUBURN PART NO.	PART NO.	CATALOG PAGE NO.
FRS-2 (1.88")	R6016	10
FR2-2 (2.38")	R6017	10
FRS-2 (2.50")	R6018	10
FRS-2 (3")	R6013	10
FRS-2 (5")	R6036	10
FRS-2-6	R6008	10
FRS-2 (9.25")	R6037	10
FRS-2 (9.75")	R6039	10
FRS-2-10375	R6012	10
FRS-2-12	R6009	10
FRS-2-18	R6010	10
FRS-2-24	R6011	10
FRS-2-36	R6014	10
FRS-4 (1.89")	R6058	10
FRS-4-2	R6059	10
FRS-4 (2.83")	R6056	10
FRS-4-3	R6060	10
FRS-4 (3.25")	R6007	10
FRS-4-4	R6001	10
FRS-4-4.5	R6061	10
FRS-4-6	R6002	10
FRS-4 (7.5")	R6062	10
FRS-4 (8")	R6015	10
FRS-4-12	R6003	10
FRS-4-18	R6004	10
FRS-4-24	R6005	10
FRS-4-36	R6006	10
FRS-4-48	R6063	10
FRS-4-60	R6064	10
I-2	R6042	11
I-2 INS	R6083	9
I-2-1	R6025	11
I-2-2	R6026	11
I-2 (18")	R6043	11
I-2 (30")	R6040	11
I-2 (36")	R6035	11
I-2 (38")	R6027	11
I-2 (48")	R6038	11
I-2-EI-1	R6029	11
I-2-EI-2	R6028	11
I-3	P5030	7
I-6	R6045	10
I-6 INS	R6084	9
I-6 (.50")	R6049	10
I-6 (.75")	R6048	10
I-6 (1.38")	R6046	10
I-6 (1.81")	R6041	10
I-6 (2")	R6053	10
I-6 (2.50")	R6047	10
I-6 (4.44")	R6054	10
I-6-6	R6086	10
I-6-12	R6087	10

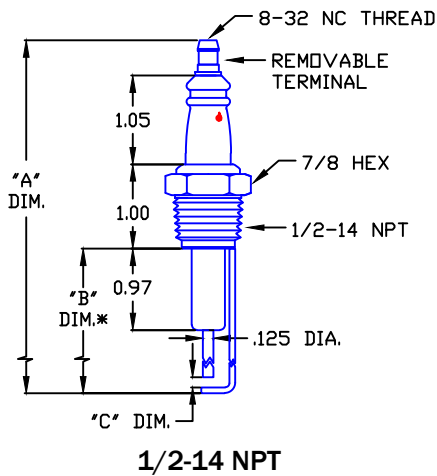
AUBURN PART NO.	PART NO.	CATALOG PAGE NO.
I-6-18	R6088	10
I-6-24	R6089	10
I-6-32	R6095	10
I-6-35	R6090	10
I-6-48	R6091	10
I-10-09	R6082	14
I-10-25	R6033	14
I-10-25 (.22")	R6055	14
I-10-25 (.50")	R6075	14
I-10-30	R6034	14
I-18	R6050	11
I-18 (.88")	R6065	11
I-18 (14")	R6072	11
I-18-18	R6066	11
I-18-24	R6067	11
I-18-36	R6068	11
I-18-48	R6069	11
I-18 (50)	R6073	11
I-25	P5017	4
I-25-3	P5026	4
I-25 (3.95")	P5016	4
I-25 (4.13")	P5018	4
I-25 (4.55")	P5019	4
I-25 (5.12")	P5020	4
I-31	P5021	5
I-31-1	P5006	5
I-31-2	P5023	5
I-32	P5025	6
I-33	R6070	13
I-33-6	R6071	13
I-34	R6021	12
I-34-12	R6024	12
I-34-20	R6019	12
I-34-26	R6022	12
I-34-36	R6020	12
I-34-54	R6023	12
I-64-1	P5003	4
I-64-4	P5002	4
I-64-7	P5005	4
I-64-3	P5004	4
I-101	P5007	8
I-102	P5011	8
I-143	R6076	14
I-144	R6077	14
OJ-21-1	P5032	7
OJ-21-4	R6057	13
OJ-21-5	P5033	7
3FR SPECIAL	R6030	12
3FR SPECIAL	R6031	12
3FR SPECIAL	R6032	12
3FR SPECIAL	R6044	12
F-68	R6110	15

IGNITERS



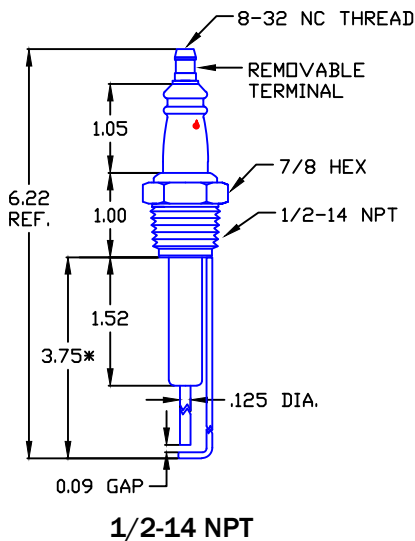
1/2-14 NPT MOUNTING THREAD			PART NO.	CROSS REFERENCE		
"A" DIM	"B" DIM*	"C" DIM		AUBURN	CROWN	ECLIPSE
3.59 REF.	1.12	.10	P5002	I-64-4	CA478	—
4.18 REF.	1.72	.09	P5003	I-64-1	CA475	11577
4.68 REF.	2.21	.09	P5005	I-64-7	CA474	—
6.22 REF.	3.75	.09	P5004	I-64-3	CA477	—

* STANDARD STOCK SIZES
ALTERNATIVE LENGTHS ARE AVAILABLE ON REQUEST
DIMENSIONS ARE IN INCHES UNLESS OTHERWISE NOTED



1/2-14 NPT MOUNTING THREAD			PART NO.	CROSS REFERENCE		
"A" DIM	"B" DIM*	"C" DIM		AUBURN	CROWN	ECLIPSE
4.19 REF.	1.72	.09	P5017	I-25	CA230	10089
4.68 REF.	2.21	.12	P5038	—	—	11576
6.22 REF.	3.75	.09	P5026	I-25-3	CA231	—
6.42 REF.	3.95	.09	P5016	I-25 (3.95")	—	—
6.60 REF.	4.13	.12	P5018	I-25 (4.13")	CA232	12568
7.02 REF.	4.55	.12	P5019	I-25 (4.55")	CA233	17396
7.59 REF.	5.12	.06	P5020	I-25 (5.12")	CA235	17652
8.85 REF.	6.38	.06	P5036	—	—	—
10.59 REF.	8.13	.06	P5031	—	—	—

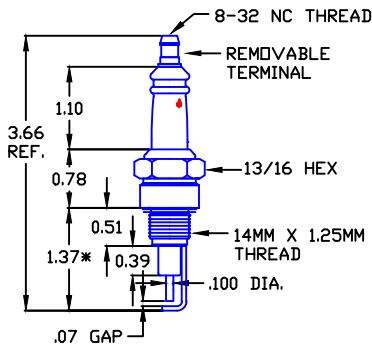
* STANDARD STOCK SIZES
ALTERNATIVE LENGTHS ARE AVAILABLE ON REQUEST
DIMENSIONS ARE IN INCHES UNLESS OTHERWISE NOTED



**PART NO.
P5034**

*STANDARD - ALTERNATIVE LENGTHS ARE AVAILABLE ON REQUEST
DIMENSIONS ARE IN INCHES UNLESS OTHERWISE NOTED

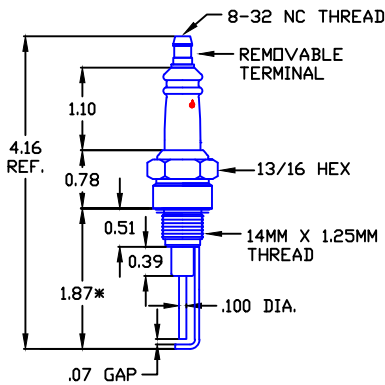
IGNITERS



PART NO.	CROSS REFERENCE				
	AUBURN	CROWN	ECLIPSE	MAXON	CHAMPION
P5021	I-31	CA505	17071	18075	F121510 (J-13Y)

*STANDARD - ALTERNATIVE LENGTHS ARE AVAILABLE ON REQUEST
DIMENSIONS ARE IN INCHES UNLESS OTHERWISE NOTED

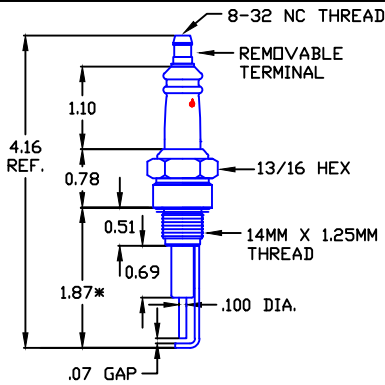
14MM X 1.25MM THREAD



PART NO.	CROSS REFERENCE	
	AUBURN	CROWN
P5006	I-31-1	CA506

*STANDARD - ALTERNATIVE LENGTHS ARE AVAILABLE ON REQUEST
DIMENSIONS ARE IN INCHES UNLESS OTHERWISE NOTED

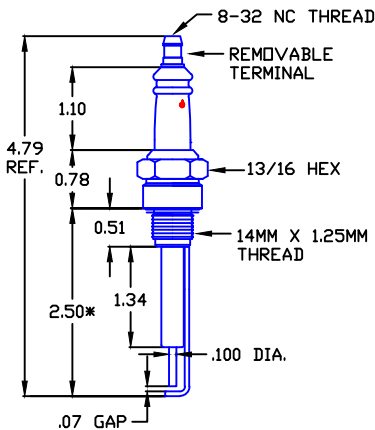
14MM X 1.25MM THREAD



PART NO.	CROSS REFERENCE		
	ECLIPSE	MAXON	CHAMPION
P5022	16927	23739	F121508

*STANDARD - ALTERNATIVE LENGTHS ARE AVAILABLE ON REQUEST
DIMENSIONS ARE IN INCHES UNLESS OTHERWISE NOTED

14MM X 1.25MM THREAD

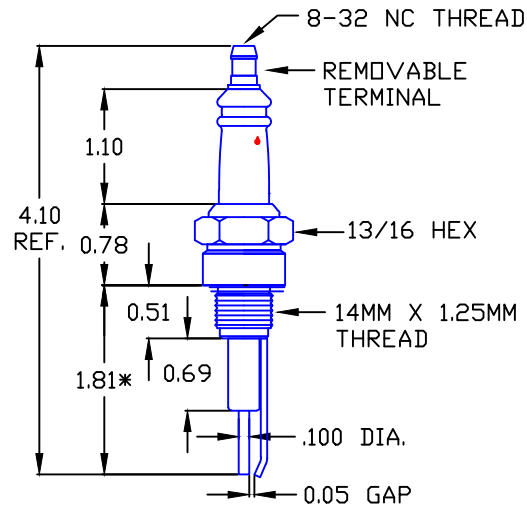


PART NO.	CROSS REFERENCE		
	AUBURN	ECLIPSE	CROWN
P5023	I-31-2	16927-1	CA507

*STANDARD - ALTERNATIVE LENGTHS ARE AVAILABLE ON REQUEST
DIMENSIONS ARE IN INCHES UNLESS OTHERWISE NOTED

14MM X 1.25MM THREAD

IGNITERS

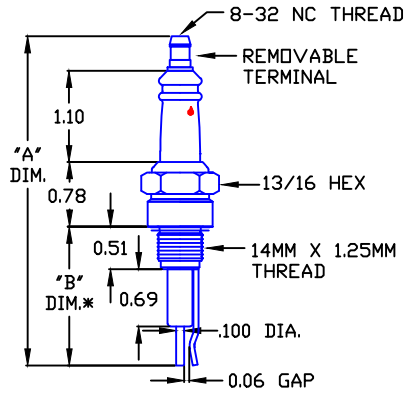


14MM X 1.25MM THREAD

PART NO.	CROSS REFERENCE			
	AUBURN	CROWN	ECLIPSE	CHAMPION
P5025	I-32	CA515	11974	F121501

*STANDARD – ALTERNATIVE LENGTHS ARE AVAILABLE ON REQUEST
 DIMENSIONS ARE IN INCHES UNLESS OTHERWISE NOTED

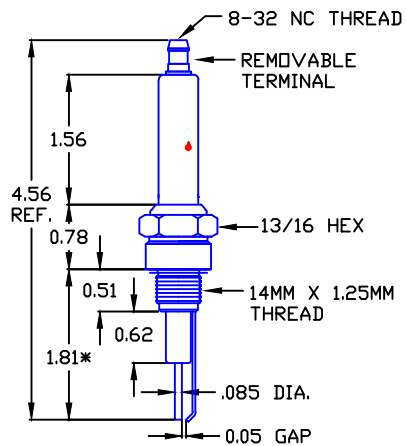
IGNITERS



14MM X 1.25MM MOUNTING THREAD		PART NO.	CROSS REFERENCE			
"A" DIM	"B" DIM*		AUBURN	CROWN	ECLIPSE	CHAMPION
3.96 REF.	1.67	P5030	I-3	CA470	13047	OJ-14-8
4.46 REF.	2.17	P5035	—	CA471	13047-1	—

* STANDARD STOCK SIZES
ALTERNATIVE LENGTHS ARE AVAILABLE ON REQUEST
DIMENSIONS ARE IN INCHES UNLESS OTHERWISE NOTED

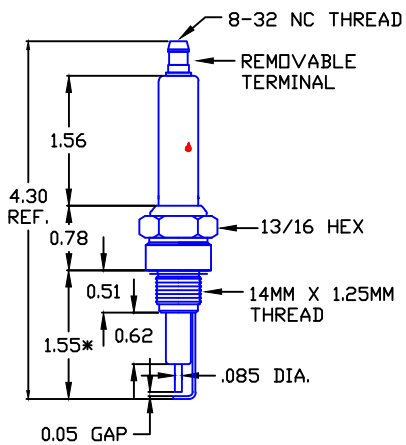
14MM X 1.25MM THREAD



PART NO.	CROSS REFERENCE		
	AUBURN	CROWN	MAXON
P5032	OJ-21-1	CA485	25458

*STANDARD - ALTERNATIVE LENGTHS ARE AVAILABLE ON REQUEST
DIMENSIONS ARE IN INCHES UNLESS OTHERWISE NOTED

14MM X 1.25MM THREAD

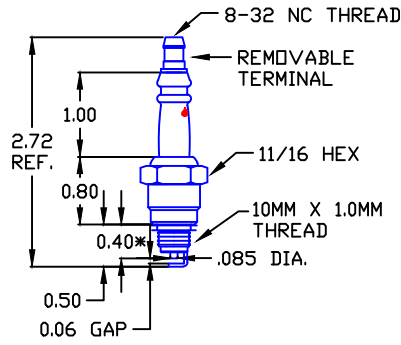


PART NO.	CROSS REFERENCE	
	AUBURN	CROWN
P5033	OJ-21-5	CA489

*STANDARD - ALTERNATIVE LENGTHS ARE AVAILABLE ON REQUEST
DIMENSIONS ARE IN INCHES UNLESS OTHERWISE NOTED

14MM X 1.25MM THREAD

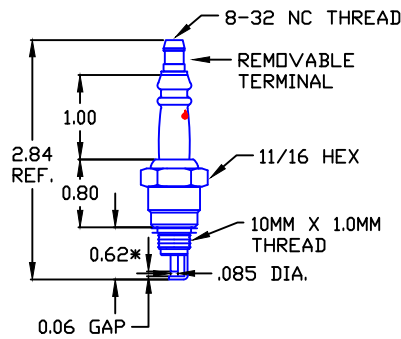
IGNITERS



10MM X 1.0MM THREAD

PART NO.	CROSS REFERENCE			
	AUBURN	CROWN	ECLIPSE	CHAMPION
P5007	I-101	CA500	16160	18110 UY-6

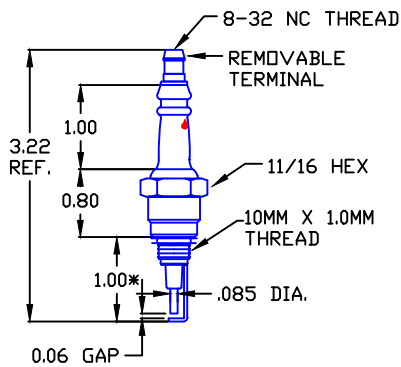
*STANDARD - ALTERNATIVE LENGTHS ARE AVAILABLE ON REQUEST
DIMENSIONS ARE IN INCHES UNLESS OTHERWISE NOTED



10MM X 1.0MM THREAD

PART NO.	CROSS REFERENCE			
	AUBURN	CROWN	ECLIPSE	CHAMPION
P5011	I-102	CA502	18458	OY-4-1

*STANDARD - ALTERNATIVE LENGTHS ARE AVAILABLE ON REQUEST
DIMENSIONS ARE IN INCHES UNLESS OTHERWISE NOTED

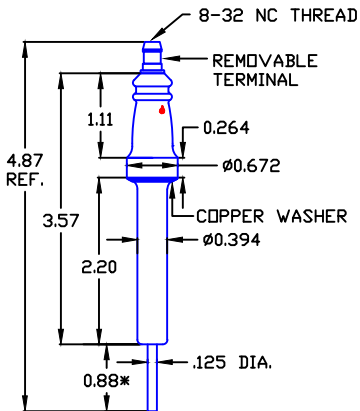


10MM X 1.0MM THREAD

**PART NO.
P5015**

*STANDARD - ALTERNATIVE LENGTHS ARE AVAILABLE ON REQUEST
DIMENSIONS ARE IN INCHES UNLESS OTHERWISE NOTED

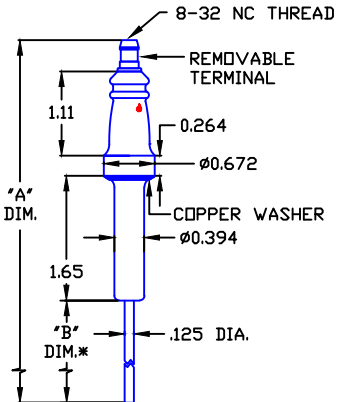
FLAME RODS/IGNITERS



PART NO.
R6079

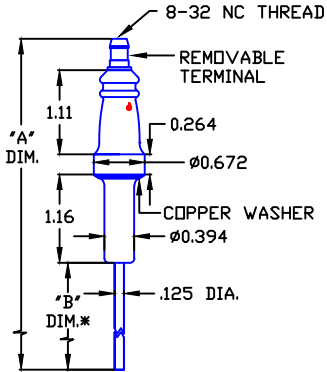
INSULATOR ASSEMBLY

*STANDARD - ALTERNATIVE LENGTHS ARE AVAILABLE ON REQUEST
DIMENSIONS ARE IN INCHES UNLESS OTHERWISE NOTED



INSULATOR ASSEMBLY		PART NO.	CROSS REFERENCE	
"A" DIM	"B" DIM*		AUBURN	CROWN
7.94 REF.	4.50	R6083	I-2 INS	CA120
15.44 REF.	12.00	R6080	—	—

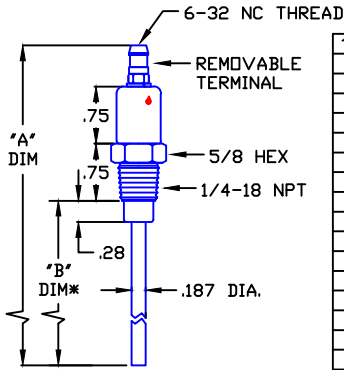
* STANDARD STOCK SIZES
ALTERNATIVE LENGTHS ARE AVAILABLE ON REQUEST
DIMENSIONS ARE IN INCHES UNLESS OTHERWISE NOTED



INSULATOR ASSEMBLY		PART NO.	CROSS REFERENCE	
"A" DIM	"B" DIM*		AUBURN	CROWN
4.45 REF.	1.50	R6081	—	—
7.95 REF.	5.00	R6084	I-6 INS	CA160

* STANDARD STOCK SIZES
ALTERNATIVE LENGTHS ARE AVAILABLE ON REQUEST
DIMENSIONS ARE IN INCHES UNLESS OTHERWISE NOTED

FLAME RODS/IGNITERS

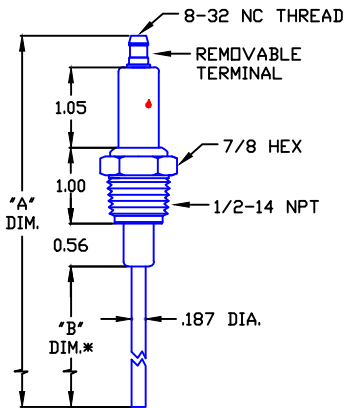


1/4-18 NPT

1/4" NPT MOUNTING THREAD		PART NO.	CROSS REFERENCE				
"A" DIM	"B" DIM*		AUBURN	CROWN	ECLIPSE	MAXON	CHAMPION
3.93 REF.	1.89	R6058	FRS-4 (1.89")	—	13093-5	—	—
4.04 REF.	2.00	R6059	FRS-4-2	CA430	—	—	—
4.87 REF.	2.83	R6056	FRS-4 (2.83)	—	13093-4	—	—
5.04 REF.	3.00	R6060	FRS-4-3	CA431	—	—	—
5.29 REF.	3.25	R6007	FRS-4 (3.25")	—	13093-3	—	—
6.04 REF.	4.00	R6001	FRS-4-4	CA432	13093-6	—	—
6.54 REF.	4.50	R6061	FRS-4-4.5	CA433	—	21081	—
8.04 REF.	6.00	R6002	FRS-4-6	CA434	13093	—	—
9.54 REF.	7.50	R6062	FRS-4 (7.5")	CA435	—	18117	—
10.04 REF.	8.00	R6015	FRS-4 (8")	—	—	—	—
14.04 REF.	12.00	R6003	FRS-4-12	CA436	13093-1	18291	—
20.04 REF.	18.00	R6004	FRS-4-18	CA437	13093-2	18395	—
26.04 REF.	24.00	R6005	FRS-4-24	CA438	—	18410	—
38.04 REF.	36.00	R6006	FRS-4-36	CA439	—	35552	—
50.04 REF.	48.00	R6063	FRS-4-48	CA440	—	—	—
62.04 REF.	60.00	R6064	FRS-4-60	CA441	—	—	—

* STANDARD STOCK SIZES
ALTERNATIVE LENGTHS ARE AVAILABLE ON REQUEST
DIMENSIONS ARE IN INCHES UNLESS OTHERWISE NOTED

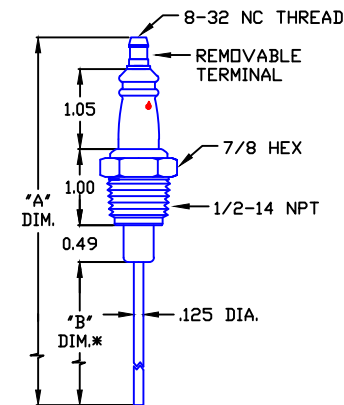
MOISTURE SEALED VERSIONS AVAILABLE: ORDER AS R6XXX-1



1/2-14 NPT

1/2-14 NPT MOUNTING THREAD		PART NO.	CROSS REFERENCE			
"A" DIM	"B" DIM*		AUBURN	CROWN	ECLIPSE	CHAMPION
4.91 REF.	1.88	R6016	FRS-2 (1.88")	—	13312-3	—
5.41 REF.	2.38	R6017	FRS-2 (2.38")	—	13312-4	—
5.53 REF.	2.50	R6018	FRS-2 (2.50")	—	13312-7	—
6.03 REF.	3.00	R6013	FRS-2 (3")	—	13312-5	—
8.03 REF.	5.00	R6036	FRS-2 (5")	—	13312-8	—
9.03 REF.	6.00	R6008	FRS-2-6	CA390	13312	—
11.85 REF.	8.82	R6129	—	—	10002219-3	—
12.28 REF.	9.25	R6037	FRS-2 (9.25")	—	13312-6	—
12.78 REF.	9.75	R6039	FRS-2 (9.75")	—	13312-10	—
13.01 REF.	9.98	R6130	—	—	10002219-1	—
13.41 REF.	10.38	R6012	FRS-2-10375	—	13312-9	—
15.03 REF.	12.00	R6009	FRS-2-12	CA391	13312-1	—
15.03 REF.	12.00	R6131	—	—	10002219	—
21.03 REF.	18.00	R6010	FRS-2-18	CA392	—	—
27.03 REF.	24.00	R6011	FRS-2-24	CA393	13312-2	OA-30
39.03 REF.	36.00	R6014	FRS-2-36	CA394	—	—
51.03 REF.	48.00	R6113	FRS-2-48	—	—	—

* STANDARD STOCK SIZES
ALTERNATIVE LENGTHS ARE AVAILABLE ON REQUEST
DIMENSIONS ARE IN INCHES UNLESS OTHERWISE NOTED

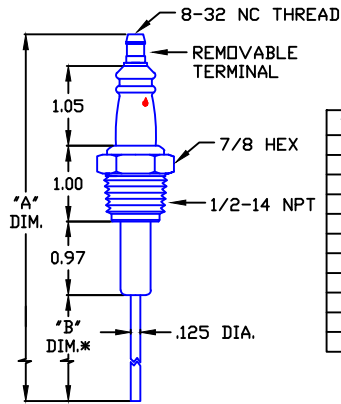


1/2-14 NPT

1/2-14 NPT MOUNTING THREAD		PART NO.	CROSS REFERENCE			
"A" DIM	"B" DIM*		AUBURN	CROWN	ECLIPSE	CHAMPION
3.45 REF.	.50	R6049	I-6 (.50")	—	16946-6	—
3.70 REF.	.75	R6048	I-6 (.75")	—	16946-5	—
4.33 REF.	1.38	R6046	I-6 (1.38")	—	16946-3	—
4.76 REF.	1.81	R6041	I-6 (1.81")	—	16946-7	—
4.95 REF.	2.00	R6053	I-6 (2")	—	16946-9	—
5.45 REF.	2.50	R6047	I-6 (2.50")	—	16946-4	—
7.39 REF.	4.44	R6054	I-6 (4.44)	—	16946-2	—
7.95 REF.	5.00	R6045	I-6	CA140	16946-1	OP-9
8.95 REF.	6.00	R6086	I-6-6	CA141	—	—
14.95 REF.	12.00	R6087	I-6-12	CA142	—	—
20.95 REF.	18.00	R6088	I-6-18	CA143	—	—
26.95 REF.	24.00	R6089	I-6-24	CA144	—	—
34.95 REF.	32.00	R6095	I-6-32	—	—	—
37.95 REF.	35.00	R6090	I-6-35	CA145	—	—
38.95 REF.	36.00	R6116	I-6-36	—	—	—
50.95 REF.	48.00	R6091	I-6-48	CA146	—	—

* STANDARD STOCK SIZES
ALTERNATIVE LENGTHS ARE AVAILABLE ON REQUEST
DIMENSIONS ARE IN INCHES UNLESS OTHERWISE NOTED

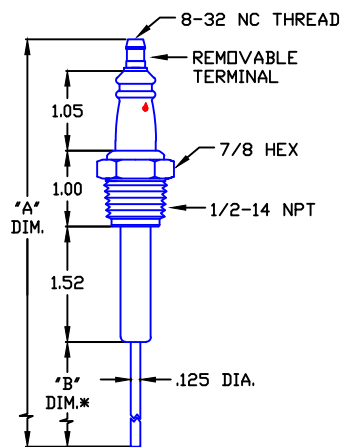
FLAME RODS/IGNITERS



1/2-14 NPT MOUNTING THREAD		PART NO.	CROSS REFERENCE			
"A" DIM	"B" DIM*		AUBURN	CROWN	ECLIPSE	CHAMPION
7.94 REF.	4.50	R6042	I-2	CA100	—	0-5-30
12.44 REF.	9.00	R6078	—	—	17232-1	—
15.44 REF.	12.00	R6025	I-2-1	CA101	17232	—
15.44 REF.	12.00	R6132	—	—	10002242	—
21.44 REF.	18.00	R6043	I-2 (18")	CA105	—	17426
27.44 REF.	24.00	R6026	I-2-2	CA102	12978	24581
33.44 REF.	30.00	R6040	I-2 (30")	—	—	24582
39.44 REF.	36.00	R6035	I-2 (36")	CA103	—	—
41.44 REF.	38.00	R6027	I-2 (38")	CA106	12978-1	—
51.44 REF.	48.00	R6038	I-2 (48")	CA104	—	—

* STANDARD STOCK SIZES
ALTERNATIVE LENGTHS ARE AVAILABLE ON REQUEST
DIMENSIONS ARE IN INCHES UNLESS OTHERWISE NOTED

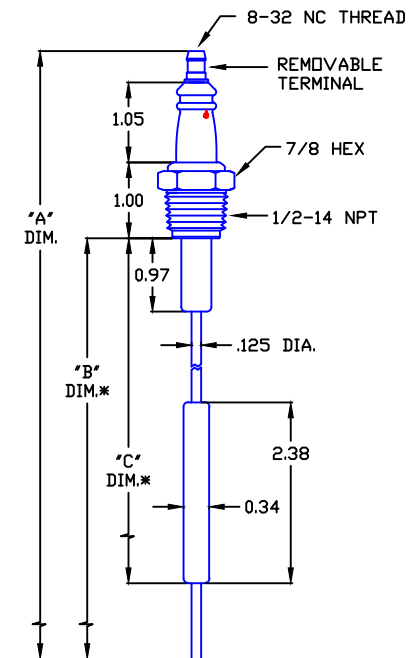
1/2-14 NPT



1/2-14 NPT MOUNTING THREAD		PART NO.	CROSS REFERENCE		
"A" DIM	"B" DIM*		AUBURN	CROWN	CHAMPION
4.87 REF.	.88	R6065	I-18 (.88")	CA201	—
11.49 REF.	7.50	R6050	I-18	CA200	OP-10
15.44 REF.	11.45	R6092	—	—	—
17.99 REF.	14.00	R6072	I-18 (14")	—	—
21.99 REF.	18.00	R6066	I-18-18	CA202	—
27.99 REF.	24.00	R6067	I-18-24	CA203	—
39.99 REF.	36.00	R6068	I-18-36	CA204	—
51.99 REF.	48.00	R6069	I-18-48	CA205	—
53.99 REF.	50.00	R6073	I-18 (50")	CA206	—

* STANDARD STOCK SIZES
ALTERNATIVE LENGTHS ARE AVAILABLE ON REQUEST
DIMENSIONS ARE IN INCHES UNLESS OTHERWISE NOTED

1/2-14 NPT



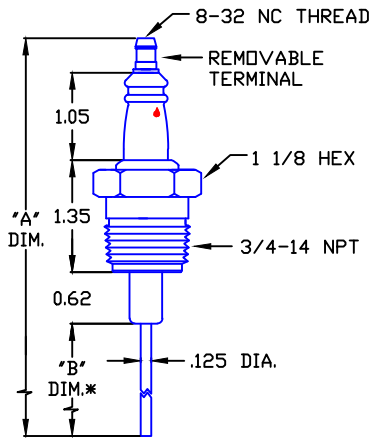
1/2-14 NPT MOUNTING THREAD			PART NO.	CROSS REFERENCE		
"A" DIM	"B" DIM*	"C" DIM*		AUBURN	CROWN	ECLIPSE
9.47 REF.	7.00	6.00	R6093	—	—	—
11.47 REF.	9.00	8.00	R6029	I-2-EI-1	I-2-EI-1	13837
19.22 REF.	16.75	15.75	R6028	I-2-EI-2	I-2-EI-2	13581

* STANDARD STOCK SIZES
ALTERNATIVE LENGTHS ARE AVAILABLE ON REQUEST
DIMENSIONS ARE IN INCHES UNLESS OTHERWISE NOTED

1/2-14 NPT



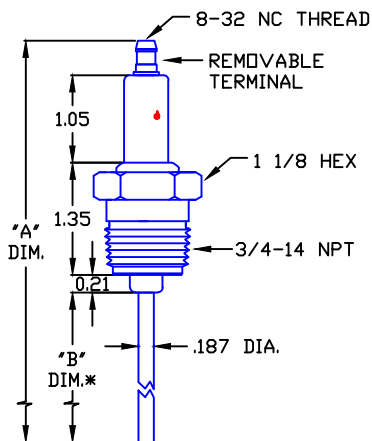
FLAME RODS/IGNITERS



3/4-14 NPT

3/4-14 NPT MOUNTING THREAD		PART NO.	CROSS REFERENCE		
"A" DIM	"B" DIM*		AUBURN	CROWN	ECLIPSE
5.82 REF.	2.38	R6134	—	—	12392-4
9.44 REF.	6.00	R6021	1-34	CA520	12392
15.44 REF.	12.00	R6024	1-34-12	CA528	12392-3
23.44 REF.	20.00	R6019	1-34-20	CA529	—
29.44 REF.	26.00	R6022	1-34-26	CA530	12392-1
39.44 REF.	36.00	R6020	1-34-36	CA531	—
57.44 REF.	54.00	R6023	1-34-54	CA533	12392-2

* STANDARD STOCK SIZES
ALTERNATIVE LENGTHS ARE AVAILABLE ON REQUEST
DIMENSIONS ARE IN INCHES UNLESS OTHERWISE NOTED

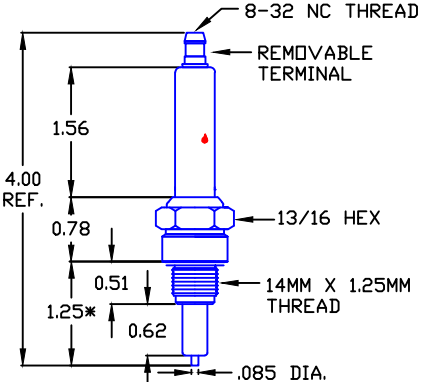


3/4-14 NPT

3/4-14 NPT MOUNTING THREAD		PART NO.	CROSS REFERENCE		
"A" DIM	"B" DIM*		AUBURN	CROWN	ECLIPSE
9.03 REF.	6.00	R6030	3FR SPECIAL	CA540	14265-1
15.03 REF.	12.00	R6031	3FR SPECIAL	CA541	14265-2
21.03 REF.	18.00	R6032	3FR SPECIAL	CA542	14265-3
27.03 REF.	24.00	R6044	3FR SPECIAL	CA543	14265-4

* STANDARD STOCK SIZES
ALTERNATIVE LENGTHS ARE AVAILABLE ON REQUEST
DIMENSIONS ARE IN INCHES UNLESS OTHERWISE NOTED

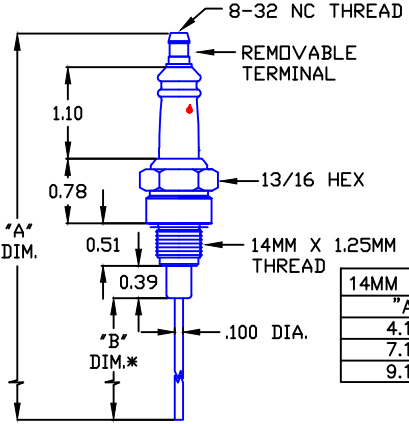
FLAME RODS/IGNITERS



14MM X 1.25MM THREAD

PART NO.	CROSS REFERENCE		
	AUBURN	CROWN	MAXON
R6057	OJ-21-4	CA488	43064

*STANDARD - ALTERNATIVE LENGTHS ARE AVAILABLE ON REQUEST
DIMENSIONS ARE IN INCHES UNLESS OTHERWISE NOTED

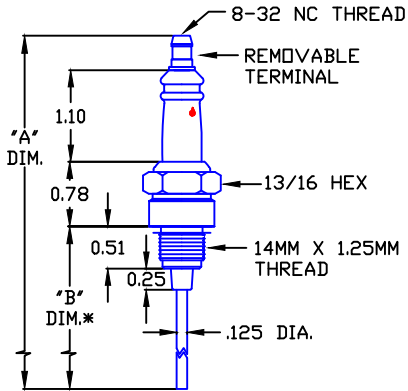


14MM X 1.25MM THREAD

14MM X 1.25MM MOUNTING THREAD		PART NO.	CROSS REFERENCE			
"A" DIM	"B" DIM*		AUBURN	CROWN	CHAMPION	MAXON
4.16 REF.	.97	R6070	I-33	CA490	J99	41058
7.19 REF.	4.00	R6074	—	—	—	—
9.19 REF.	6.00	R6071	I-33-6	CA496	OY-6-5	—

* STANDARD STOCK SIZES
ALTERNATIVE LENGTHS ARE AVAILABLE ON REQUEST
DIMENSIONS ARE IN INCHES UNLESS OTHERWISE NOTED

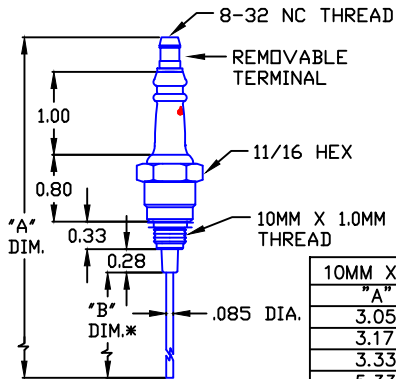
FLAME RODS/IGNITERS



14MM X 1.25MM MOUNTING THREAD		PART NO.	CROSS REFERENCE		
"A" DIM	"B" DIM*		AUBURN	MAXON	CROWN
3.79 REF.	1.50	R6077	I-144	34478	
5.46 REF.	3.17	R6076	I-143	—	CA503
14.29 REF.	12.00	R6125	—	—	CA647
23.29 REF.	21.00	R6126	—	—	CA648

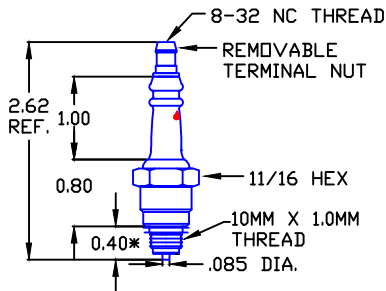
* STANDARD STOCK SIZES
ALTERNATIVE LENGTHS ARE AVAILABLE ON REQUEST
DIMENSIONS ARE IN INCHES UNLESS OTHERWISE NOTED

14MM X 1.25MM THREAD



10MM X 1.0MM MOUNTING THREAD		PART NO.	CROSS REFERENCE			
"A" DIM	"B" DIM*		AUBURN	ECLIPSE	MAXON	CROWN
3.05 REF.	.22	R6055	I-10-25 (.22")	19782	—	—
3.17 REF.	.34	R6034	I-10-30	—	—	—
3.33 REF.	.50	R6075	I-10-25 (.50")	18461	—	—
5.33 REF.	2.50	R6033	I-10-25	18460	33947	CA635

* STANDARD STOCK SIZES
ALTERNATIVE LENGTHS ARE AVAILABLE ON REQUEST
DIMENSIONS ARE IN INCHES UNLESS OTHERWISE NOTED

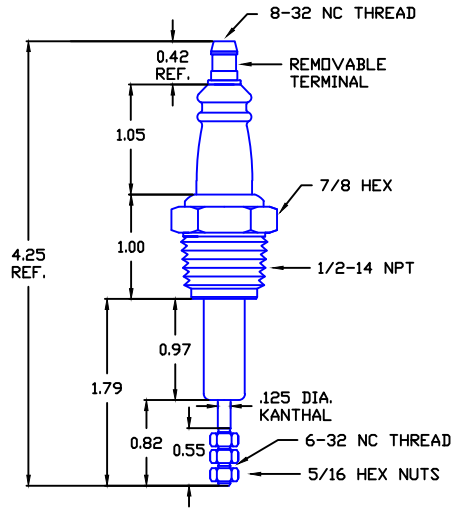


PART NO.	CROSS REFERENCE	
	AUBURN	ECLIPSE
R6082	I-10-09	16160-1

*STANDARD - ALTERNATIVE LENGTHS ARE AVAILABLE ON REQUEST
DIMENSIONS ARE IN INCHES UNLESS OTHERWISE NOTED

10MM X 1.0MM THREAD

ELECTRIC FEEDTHROUGH



1/2-14 NPT

PART NO.	CROSS REFERENCE
R6110	AUBURN
	F-68

*STANDARD – ALTERNATIVE LENGTHS ARE AVAILABLE ON REQUEST
 DIMENSIONS ARE IN INCHES UNLESS OTHERWISE NOTED