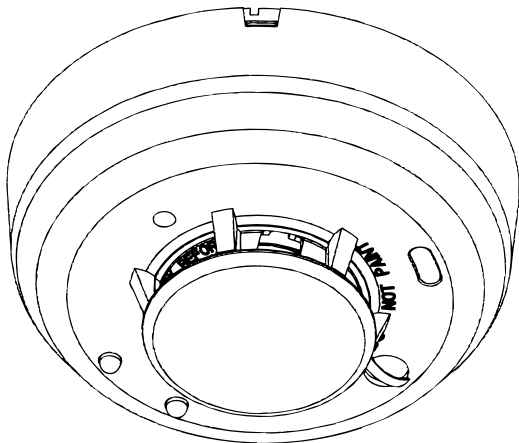




A better way to stay in touch™



Photoelectronic Smoke Detector with Built-in Wireless Transmitter

INSTALLATION AND OPERATION MANUAL

ETLus Listed

Patents Pending. All Rights Reserved.

Model # SD4-SS

What smoke detectors can do:

Smoke detectors are designed to provide early warning of developing fires at a reasonable cost. They monitor the air and can sense smoke and can provide precious minutes for you and your family to escape before a fire spreads.

Caution: Early warning fire detection is best achieved by the installation of fire detector equipment in all rooms and areas of the household as follows: A smoke detector installed in each separate sleeping area (in the vicinity, but outside of the bedroom), and heat or smoke detectors in the living rooms, dining room, bedrooms, kitchens, hallways, attics, furnace rooms, closets, utility and storage rooms, basements and attached garages.

What smoke detectors cannot do:

Smoke detectors will not work without power. Battery operated detectors will not work without batteries, with dead batteries, or if the batteries are not put in properly. AC-powered detectors will not work if their AC power supply is cut off by an electrical fire, and open fuse or circuit breaker, or for any other reason. If you are concerned about the reliability of either batteries or your AC power supply for any of the above reasons, you should install both battery powered and AC powered detectors for maximum safety.

Smoke detectors may not sense fires that start where smoke cannot reach the detectors such as in chimneys, in walls, on roofs, or on the other side of closed doors. If bedroom doors are usually closed at night, detectors should be placed in each bedroom as well as in the common hallway between them.

Smoke detectors also may not sense a fire on another level of the residence or building. For example, a second-floor detector may not sense a first-floor or basement fire. Therefore, detectors should be placed on every level of a residence or building.

The horn in your detector has been tested by ETL to comply with UL 217 (US). However, if the detector is located outside a bedroom, it may not wake a sound sleeper, especially if the bedroom door is closed or only partly open. If the detector is located on a different level of the residence than the bedrooms, it is even less likely to wake up people sleeping in the bedrooms. In such cases, the National Fire Protection Association recommends that the detectors be interconnected so that all detectors sound an alarm when any one of the detectors sense smoke.

All types of smoke detectors have limitations. No type of smoke detector

can sense every kind of fire every time. In general, detectors may not always warn you about fires caused by carelessness and safety hazards like smoking in bed, violent explosions, escaping gas, improper storage of flammable materials, overloaded electrical circuits, children playing with matches or arson.

Installing smoke detectors may make you eligible for lower insurance rates, but smoke detectors are not a substitute for insurance. Homeowners and renters should continue to insure their lives and property.

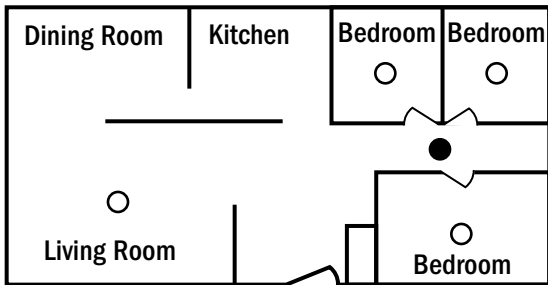
Where smoke detectors should be located:

(Reprinted with permission from NFPA 72®, National Fire Alarm Code Copyright ©2007 National Fire Protection Association, Quincy, MA 02269. This reprinted material is not the complete and official position of the National Fire Protection Association, on the referenced subject which is represented only by the standard in its entirety.) (National Fire Alarm Code® and NFPA 72® are registered trademarks of the National Fire Protection Association, Inc., Quincy, MA 02269.)

This smoke detector should be installed in accordance with the National Fire Protection Association, Standard 72 (National Fire Protection Association Batterymarch Park, Quincy, MA 002269). This standard means that for complete coverage, smoke detectors should be installed in all rooms, halls, storage areas, basements, and attics of a building. The

minimum recommendations is one detector on each level of a building and one in every sleeping area. See how this recommendation applies in the figures below.

- Put a smoke detector in the hallway outside of every separate bedroom area. See figure 1. Two detectors are required in homes with two bedroom areas. See figure 2.
- Put a smoke detector on every level of a multi-level residence. See figure 3.



- Smoke detectors for minimum protection
- Smoke detectors for more protection

Figure 1: recommended smoke detector protection for single-floor residence with only one sleeping area.

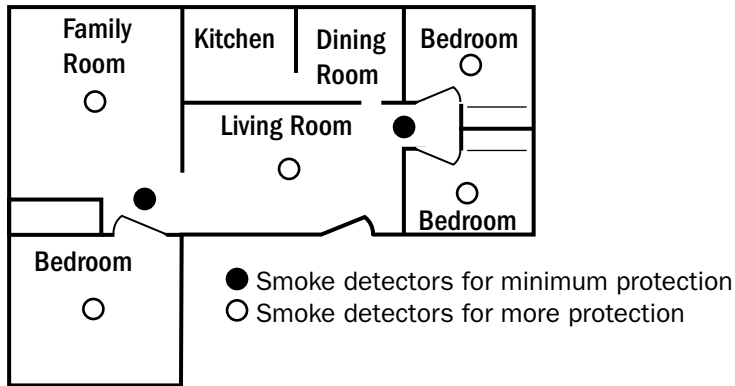


Figure 2: recommended smoke detector protection for single-floor residence with more than one sleeping area.

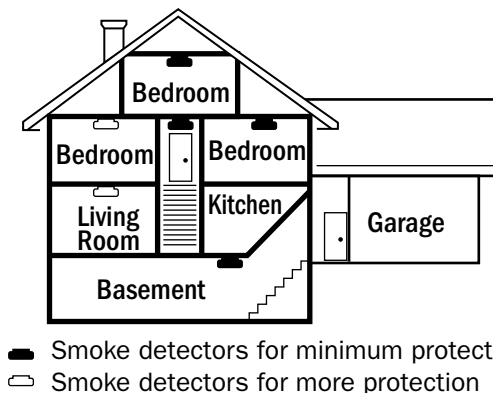


Figure 3: recommended smoke detector protection for a multi-level residence.

- put a smoke detector inside bedrooms where a smoker sleeps.
- put a smoke detector inside every bedroom where electrical appliances (such as portable heaters or humidifiers) are operated where someone sleeps.

- Put a smoke detector inside every bedroom where someone sleeps with the door closed. Smoke could be blocked by the closed door, or the alarm may not wake the sleeper if the door is closed.
- Put detectors as close to the center of the ceiling as possible. If this is not practical, put the detector on the ceiling, but no closer than 4 inches (10 cm) from any wall or corner. See figure 4.
- If wall mounting is permitted by your local and state codes. Put the top of wall-mounted detectors between 4 and 6 inches (10 and 15 cm) from the ceiling. see figure 4.

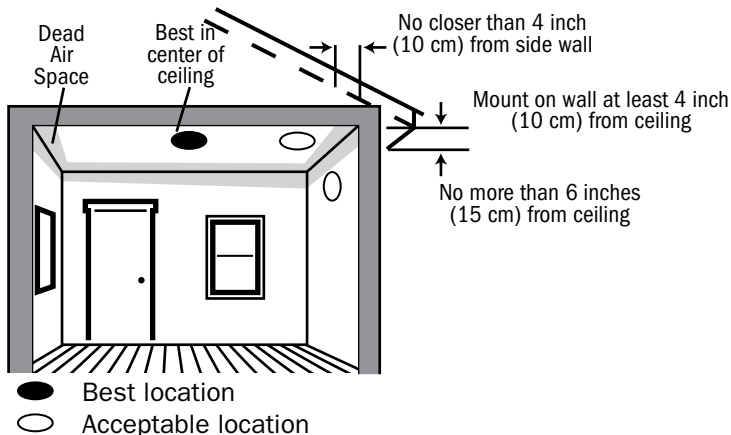


Figure 4: recommended smoke detector mounting locations.

- Put a smoke detector at both ends of a bedroom hallway if the hallways is more than 40 feet (12 meters) long.
- Put basement detectors at the bottom of the basement stairwell.
- Put second-floor detectors at the top of the first-to-second floor stairwell,

as long as no other door or other obstructions block the path of smoke to the detector.

- In rooms with sloped, peaked, or gabled ceilings, mount detectors within 3 feet (0.9 meters) measured horizontally from the highest point of the ceiling. See figure 5.

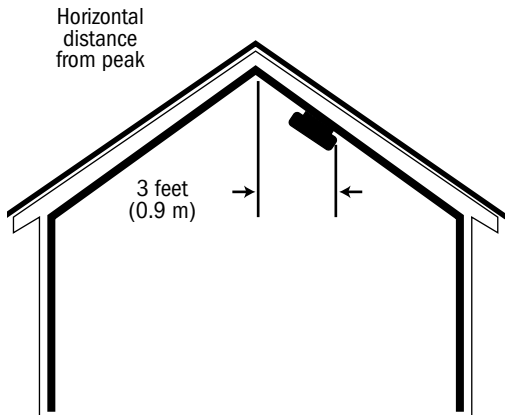


Figure 5: Recommended smoke detector location in rooms with sloped, gabled, or peaked ceilings.

This detector will provide maximum protection when installed in compliance with the National Fire Protection Association (NFPA). Standard NFPA 72, household fire warning equipment, defines the NFPA requirements for fire protection in private residence. This standard states that smoke detectors must be mounted in the following locations:

“Smoke detectors shall be installed outside of each separate sleeping area in the immediate vicinity of the bedrooms and on each additional story of the family living unit including basements and excluding crawl spaces and unfurnished attics.”

The provisions of NFPA 72 represent the minimum number of detectors required by the NFPA. The household should consider the use of additional smoke detectors for increased protection. It is strongly recommended to put additional smoke detectors especially if those areas are bedrooms.

Where smoke detectors should not be located:

Nuisance alarms are caused by placing detectors where they will not operate properly. To avoid nuisance alarms, do not place detectors:

- In or near areas where combustion particles are normally present such

as kitchens, in garages where there are particles of combustion from vehicle exhausts, near furnaces, hot water heaters, or gas space heaters. Install detectors at least 20 feet (6 meters) away from kitchens and any other areas where combustion particles are normally present.

- In air streams passing by kitchens. Figure 6 shows how a detector can be exposed to combustion particles in normal air movement paths, and how to correct this situation.

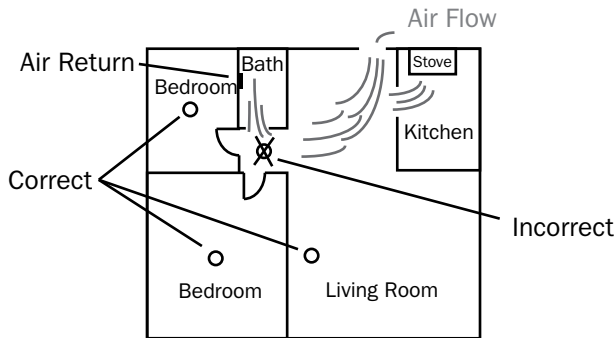


Figure 6: recommended smoke detector locations to avoid air streams with combustion particles.

- In damp or very humid areas, or next to bathrooms with showers. The moisture in humid air can enter the sensing chamber as water vapor, and will cool and condense into droplets that cause a nuisance alarm. Install detectors at least 5 feet (1.5 meters) away from bathrooms.
- In very dusty or dirty areas. Dust and dirt can build up on the detector sensing chamber and make it overly sensitive, or can block openings to the sensing chamber and keep the detector from sensing smoke.
- Near fresh air inlets or returns or excessively drafty areas. Air conditioners, heaters, fans, and fresh air intakes and returns can drive smoke away from smoke detectors, making the detectors less effective.
- In dead air spaces at the top of a peaked roof or in the corners between ceilings and walls. Dead air may prevent smoke from reaching the detector. See figures 4 and 5 for recommended mounting location.
- In insect-infested areas. If insects enter a detector's sensing chamber they may cause a nuisance alarm. Get rid of the bugs before installing detectors where bugs are a problem.
- Near florescent light fixtures. Electrical “noise” from nearby florescent light fixtures may cause a nuisance alarm. Install detectors at least 10 feet (3 meters) away from such light fixtures.

General Information

Before installing detectors, please thoroughly read these installation instructions and NFPA 72, which provides detailed information on detector spacing, placement, zoning, wiring, and special applications.

NOTICE: This manual should be left with the owner/user of this equipment.

IMPORTANT: This detector must be tested and maintained regularly following NFPA 72 requirements. The detector should be cleaned at least once a year.

General Description

The Model #SD4-SS photocell electronic smoke detector with built-in wireless transmitter is intended for use with Silent Call Signature Series receivers models W08-SS, WCV08-SS & SK2-SS. The transmitter will send alarm condition messages to the system's receiver. Refer to the wireless system's instructions for the maximum number of transmitters that can be supported.

The Model #SD4-SS incorporates a state of the art optical sensing chamber and an advanced microprocessor. The microprocessor allows

the detector to automatically maintain proper operation at factory calibrated detection levels, even when sensitivity is altered due to the presence of contaminants settling into the unit's smoke chamber. In order for this feature to work properly, the chamber must never be opened while power is applied to the smoke detector. This includes cleaning, maintenance or screen replacement.

The Model #SD4-SS contains a piezoelectric horn which generates the ANSI S3.41 temporal pattern in an alarm condition. During an alarm condition, pressing the detector's test switch will silence the piezoelectric horn for 5 minutes. The built-in Drift Compensation algorithm automatically maintains the sensitivity of the detector. The mounting base installation is simplified by the incorporation of features compatible with drywall fasteners or other methods that provide a method for securing the detector in place.

An indication that current studies have shown smoke alarms may not awaken all sleeping individuals, and that it is the responsibility of individuals in the household that are capable of assisting others to provide assistance to those who may not be awakened by the alarm sound, or to those who may be incapable of safely evacuating the area unassisted.

Two LEDs and a sounder on the detector provide local visual and audible indication of the detector's status:

Table 1: Detector LED Modes

	Green LED	Red LED	Piezoelectric Horn
Power-up	Blinks every 5 seconds	Blinks every 5 seconds	Off
Normal (standby)	Blinks every 10 seconds	Off	Off
Out of sensitivity	Off	Blinks every 5 sec	Off
Smoke Alarm	Off	Blinks every 1 sec	Temporal Pattern
Low Battery	Off	Blinks every 45 sec	Chirp every 45 sec after LED blinks for 7 days

During initial power-up, the red and green LEDs will blink synchronously once every 5 seconds. It will take approximately 20 seconds for the detector to finish the power-up cycle (see Table 1).

After power-up has been completed and the detector is functioning normally within its listed sensitivity range, the green LED blinks once

every 10 seconds. If the detector is in need of maintenance because its sensitivity has shifted outside the listed limits, the red LED blinks once every 5 seconds. When alarm has been activated by smoke, the red LED blinks every 1 second. The LED indication must not be used in place of the tests specified under Testing. If the detector senses a low battery condition, the red LED blinks once every 45 seconds.

Low Battery Detection

The Model #SD4-SS is powered by a single 3-volt CR123A or DL123A Lithium battery (included). The detector checks for a low battery at least every 65 minutes. In addition, the red LED of the Model #SD4-SS will blink every 45 seconds and the test switch will be disabled. This condition will exist for a minimum of 7 days, and then the detector's horn will "chirp" about every 45 seconds. Pressing the test switch during this time will silence the chirps for 12 hours. The battery should be replaced BEFORE the chirps begin. Be sure to replace the battery with a fresh one.

Battery Life Expectancy

Replace the battery once a year or immediately when the low battery indicator starts to blink and the horn begins to chirp. Replacement

batteries maybe purchased from a local hardware store.

Battery Installation and Replacement

To replace the battery:

1. Remove the detector from its mounting base by twisting the detector counterclockwise. Remove the battery and dispose of it properly.
2. To ensure proper power-down sequence, wait a minimum of 20 seconds before installing new battery.
3. Install a new approved 3-volt Lithium battery in the battery compartment. Follow the polarity diagram inside the compartment.
4. Reinstall the smoke detector onto the mounting base by turning the detector clockwise.
5. The green LED should blink about once every 10 seconds to indicate normal operation. If the battery is not installed correctly, the smoke detector will not operate and the battery may be damaged. If the detector does not appear to be sending a signal during any of the tests, check for correct battery installation and for a fully charged battery.

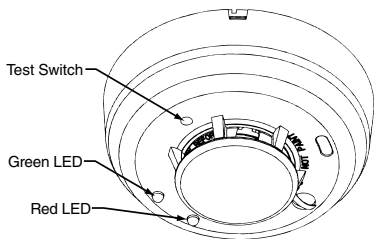


Figure 7: Silent Call Model #SD4-SS
Wireless Smoke Detector

Programming

The smoke detector is pre-programmed at the factory.

Address Switch Settings

The Silent Call system is digitally encoded. All Silent Call receivers and transmitters are tested and leave the factory programmed to a factory default address. You do not need to change the address unless someone in your area has Silent Call products and they are interfering with your equipment.

1. Make sure that all Silent Call transmitters in the area are turned off.
2. Located on the back of the transmitter case is a removable access panel. Remove the access panel and take out the batteries. Note

that you **MUST** remove the batteries first or the switch setting will not take effect.

3. Locate the address switch on the transmitter circuit board that has 5 small dip switches. Set the switches to any combination that you want. For Example: 1, 2 ON 3, 4, 5 OFF. This gives your transmitter an “address.” Note: Do **NOT** set the switches to the all “ON” or all “OFF” position.
4. Reinstall the batteries and replace the access panel.
5. Refer to your specific Signature Series Receiver instruction manual for programming your receiver to your newly changed transmitter address.

Mounting

First, determine the best location for the smoke detector, one that provides a strong wireless transmission path and proper smoke detection. A good transmission path must be established from the proposed mounting location before permanently installing the detector. To check, perform the test described in the TESTING SIGNAL STRENGTH section of this manual. To mount the detector, perform

Figure 8: Detector Mounting Base

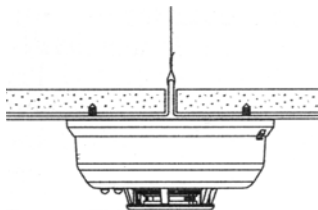


Figure 9: Mount Detector Across Ceiling Panel Support.

the following steps:

1. Once a suitable location has been determined, install the mounting base on the ceiling or on the wall (if local ordinances permit). Use the two screws and anchors provided.
2. Turn the detector in a clockwise direction in the mounting base until it clicks into place.
3. ***Test the detector immediately after completing the installation as described in the TESTING section of this manual.***



DO NOT attach the detector to removable ceiling panels.
Attach the detector across panel support as shown in Figure 9.

Dust Covers are an effective way to limit the entry of dust into the smoke detector sensing chamber during construction. However, they may not completely prevent airborne dust particles from entering the detector. Therefore, it is recommended that the detectors be removed before beginning construction or other dust producing activity. When returning the system to service, be sure to remove the dust covers from any detectors that were left in place during construction.

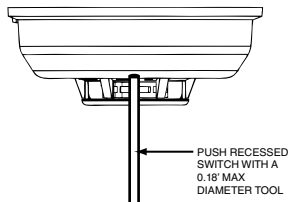
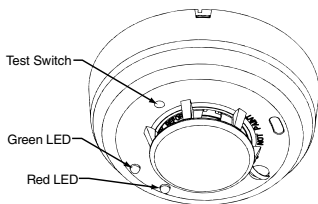
Smoke detectors are not to be used with detector guards unless the combination has been evaluated and found suitable for that purpose.

Testing the Sensor

Detectors must be tested after installation and following periodic maintenance. The Model #SD4-SS may be tested as follows:

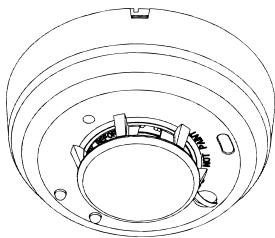
A. Test Switch

1. A recessed test switch is located on the detector housing (see Figure 10).
2. Push and hold the recessed test switch for a minimum of 5 seconds. Use a small screwdriver or Allen key with maximum



Recessed Test Switch Opening

diameter of 0.18 inch (the detector will trigger and then the smoke detector will go into alarm thus sending a transmitting signal to the receiver. If the tool is removed from the recessed switch the sounder will shut off)



If the detector is within the listed sensitivity limits, the LED on the detector should blink once per second and the horn should sound within 3 seconds.

B. Smoke Entry Test

Hold a smoldering punk stick or cotton wick at the side of the detector and gently blow smoke through the detector until the unit alarms. Canned aerosol is also an accepted method.

Testing Signal Strength

NOTE: Remove battery tab before installation.

A test should be performed before installation to determine a strong communication path with the receiver and after installation is complete. Also the owner/user should test the unit at least weekly.

Testing Programming

A test should be performed before installation to ensure the detector transmitter address is properly programmed to the receiver, and are operational as a system.

Maintenance

NOTE: Power must be removed from the detector before performing maintenance of any kind by removing the detector's battery.

1. To ensure proper power-down sequence, battery must be removed from detector for a minimum of 20 seconds before removing chamber top.
2. Remove the detector cover by turning counterclockwise.
3. Vacuum the cover or use canned air to remove any dust or debris.
4. Remove the top half of the screen/sensing chamber by lifting straight up (Figure 11).
5. Vacuum or use canned air to remove any dust or particles that are present on all chamber sections.
6. Replace the top half of the screen/sensing chamber by aligning the arrow on the screen/sensing chamber with the arrow on the housing. Press down firmly until the screen/sensing chamber is fully seated.
7. Replace the detector cover by placing it over the screen/sensing

chamber and turning it clockwise until it snaps into place.

8. Reinstall the battery into the battery compartment noting proper orientation.
9. Reinstall the detector and test. (see the Testing section).

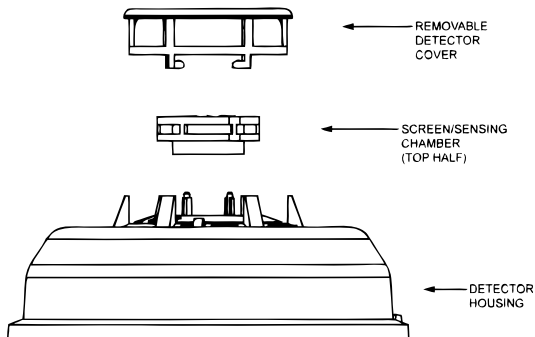


Figure 11: Removing Screen/Sensing Chamber

What to do in case of fire

- Don't panic; stay calm. Follow your family escape plan.
- Get of the house as quickly as possible. Don't stop to get dressed or collect anything.
- Feel doors with the back of your hand prior to opening them. If a door is cool, open it slowly. Don't open a hot door. Keep door and windows closed, unless you must escape through them.
- Cover your nose and mouth with a cloth (preferably damp). Take short shallow breaths.
- Meet at the planned meeting place outside your home, and take a head count to make sure everybody got out safely.
- Call the fire department from outside. Give your address, then your name.
- Never go back inside a burning building for any reason.
- Contact your fire department for suggestions and ideas on how to make your home safer.

Specifications

Power Source:	One 3-volt CR123A Lithium Battery (included). (Replace with Duracell DL123A, Panasonic CR123A)
Height:	2.3 inches (58 mm)
Diameter:	5.3 inches (135 mm) (with mounting base)
Weight	8.5 oz. (241 g) (without battery)
Operating Ambient Temperature Range:	40°F to 100°F (4.4°C to 37.8°C)
Operating Humidity Range:	0% to 95% Relative Humidity
Agency Listings:	Tested by ETL to comply with UL 217
Manufactured by:	Silent Call Communications 5095 Williams Lake Rd Waterford, MI 48329 USA
For warranty claims and service send to	Silent Call Communications 5095 Williams Lake Rd Waterford, MI 48329 USA