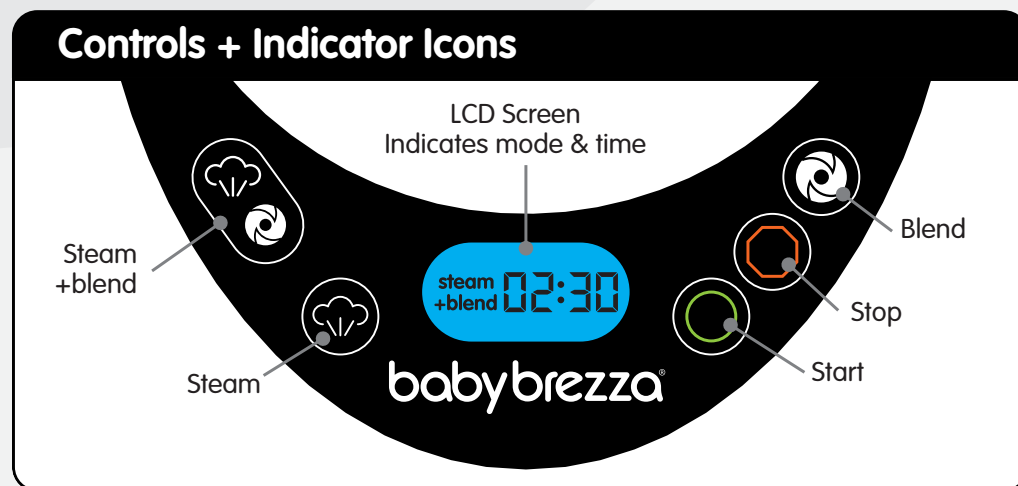


Please register your baby food maker
at: babybrezza.com/register
For product updates & safety information.

babybrezza®

complete
one step baby food maker



Limited 1-Year Warranty

This warranty is available to consumers only. You are a consumer if you own a Baby Brezza One Step Baby Food Maker that was purchased at retail for personal, family or household use. Except as otherwise required under applicable state law, this warranty is not available to retailers or other commercial purchasers or owners. We warrant that your Baby Brezza One Step Baby Food Maker will be free of defects in material or workmanship under normal home use for one year from the date of original purchase. Customer will be required to present original proof of purchase in order to obtain the warranty benefits. In the event that you do not have proof of purchase date, the purchase date for purposes of this warranty will be the date of manufacture. If your One Step Baby Food Maker should prove to be defective within the warranty period, we will repair it or, if we think it necessary, replace it.

To obtain warranty services, please call Customer Service at 1-888-396-6552 or write to:
Baby Brezza, 250 Passaic Street, Newark, NJ 07104 Attn: Customer Service.

US patent numbers 6,505,545 & 6,703,061



Instruction
Manual

IMPORTANT SAFEGUARDS

When using electrical appliances, basic safety precautions should always be followed, including the following:

1. Read all instructions before using.
2. Do not touch hot surfaces. Use handles or knobs.
3. To protect against electric shock do not immerse cord, plug or appliance in water or other liquid.
4. Close supervision is necessary when any appliance is used by or near children.
5. Unplug from outlet when not in use and before cleaning. Allow to cool before inserting or removing parts.
6. Do not operate any appliance with a damaged cord or plug or after the appliance malfunctions, is dropped or has been damaged in any manner. Return appliance to the nearest authorized service facility for examination, repair or adjustment.
7. The use of accessory attachments not recommended by the appliance manufacturer may cause fire, electric shock or injury.
8. Use on level surface and be sure there is no debris under the unit and the rubber pads are touching the surface.
9. Household use only. Do not use outdoors.
10. Do not let cord hang over edge of table or counter, or touch hot surfaces.
11. Do not place on or near hot gas or electric burner, or in a heated oven.
12. Extreme caution must be used when moving an appliance containing hot liquids.
13. Do not use appliance for other than intended use.
14. Do not use the machine without food in the bowl.
15. This appliance has a polarized plug (one blade wider than the other). To reduce risk of electric shock, this plug is intended to fit into a polarized outlet only one way. If the plug does not fit fully into the outlet, reverse the plug. If it still does not fit, contact a qualified electrician. Do not attempt to modify the plug in any way.
16. Make sure machine is turned off before unplugging.
17. A short powder-supply cord should be used to reduce the risk of becoming entangled in or tripping over a longer cord. Extension cords are available and may be used if care is exercised in their use.
18. If using the machine with an extension cord, make sure the cord is the proper electrical rating for the machine. The marked electrical rating of the cord set or extension cord should be at least as great as the electrical rating of the appliance. The extension cord should be arranged so that it does not drape over countertop or tabletop where it can be pulled on by children or tripped over unintentionally.
19. Before serving, be sure food is at safe temperature.
20. Avoid contact with moving parts. Never remove lid while blade is moving.
21. Blade has 4 cutting edges and is sharp. Handle carefully. Install and remove by handling top of plastic column. Bowl must be in place before replacing the blade.
22. Do not disassemble or lubricate drive shaft.
23. The appliance is intended for processing small quantities of food and is especially recommended for preparing baby food. The appliance is not intended to prepare large quantities of food at a time.
24. Do not blend hard foods in this machine. Use the steam + blend function for hard foods such as carrots and potatoes. Use the blend only function for soft foods such as bananas and berries.
25. To disconnect from power source, press stop button to turn off any function and remove plug from wall outlet.
26. Before serving, unplug cord from wall outlet. Do not leave cord within child's reach.

SAVE THESE INSTRUCTIONS

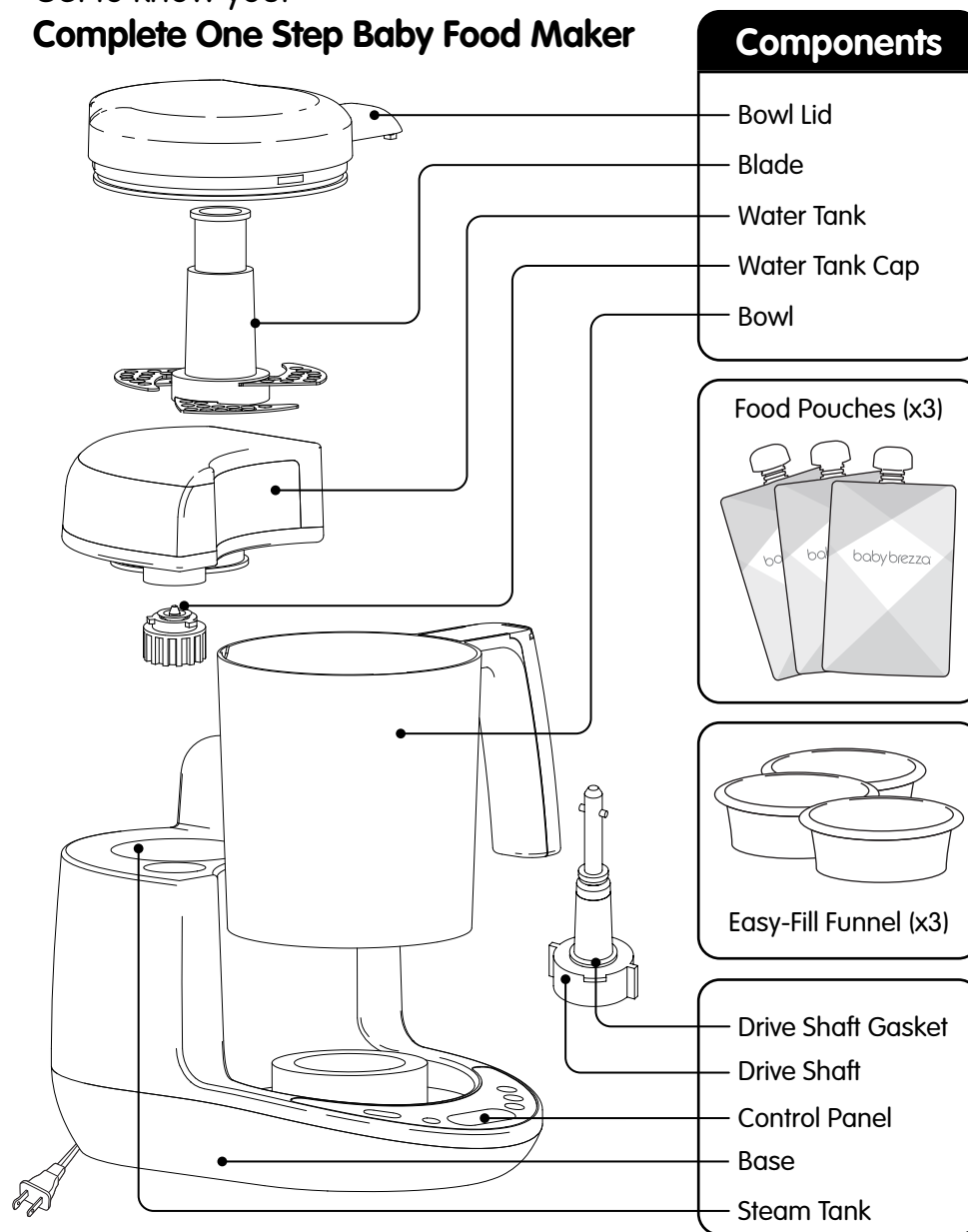
Safety Switch Function

If the Bowl Lid is opened or the Bowl is removed from the Base during operation, the machine will automatically shut off and beep rapidly. If the Lid and Bowl are replaced within 5 seconds after removal, the machine will resume operation, otherwise it will return to standby mode.

Overheating Protection

If the Steam Chamber runs dry during operation, the heater will shut off and the machine will beep rapidly 5 times. Add water to the Water Tank to resume operation.

Get to know your Complete One Step Baby Food Maker



TECHNICAL DATA

Supply voltage: 120V 60Hz

Model: BRZ00141

Current: 3.5A

Motor Power: 150W

Heater Power: 400W

How to Use - Clean all parts before first use

1 To remove water tank, press the release button and lift the water tank up.

2 Remove water tank cap and fill the water tank.

3 After filling, place water tank back onto base. Push down firmly until water tank clicks into place.

4 Place blade in bowl by dropping the blade on the driveshaft.

5 Add chopped ingredients to the bowl. Refer to recipe guide for measurements.

6 Choose the desired settings. See back page for control panel details

CAUTION Do not lock in the Blade by turning it or pushing it down.

CAUTION Always make sure driveshaft and driveshaft gasket are properly inserted into bowl before steaming or blending. Use of the machine without the driveshaft and gasket will result in water damage to the base.

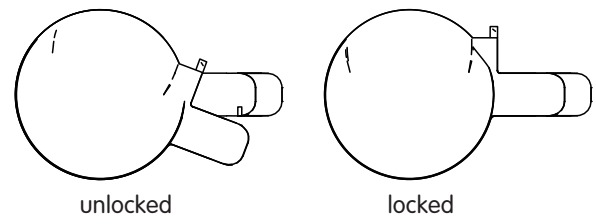
Top View

tab

To place lid on bowl, position the lid as shown above, then rotate lid counter-clockwise.

Attaching Lid and Bowl

- Turn bowl counter-clockwise to lock on to base.
- Turn lid counter-clockwise to lock on to bowl.
- Turn bowl clockwise to release from base.
- Turn lid clockwise to release from bowl.



Cooking & Controls

Steam + Blend - Automatically blend after steaming

Press repeatedly until desired cooking time is selected. Each press adds 5 minutes to the steam time. Max time is 30 minutes.

Press to begin the steam + blend cycle. Once the steam cycle is complete, the blend cycle will run for 30 seconds and the machine will shut off.

For a smoother consistency, press and hold to blend more. Make sure bowl lid is locked onto bowl. Do not remove lid when blade is moving.

Steam Only

If you would like to steam without the automatic blend cycle, press repeatedly until desired steam time is selected.

Press to begin steam cycle. Machine will beep 3 times and shut off when steam cycle is complete.

Blend Only

Make sure bowl lid is locked onto bowl. Press and hold until desired consistency is achieved. Do not remove lid when blade is moving.

Reheat & Defrost

Use the steam function to reheat and defrost. See **Steam Only** instructions above.

Filling the Food Pouch

1

Open zipped side of food pouch.

2

Place funnel into food pouch.

3

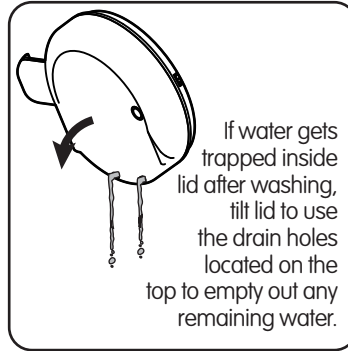
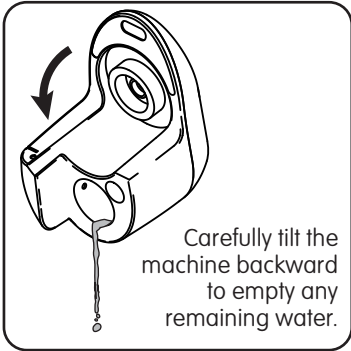
Make sure pouch cap is tightened securely. Carefully pour food through the funnel.

4

Pinch the zipper to seal the food pouch securely.

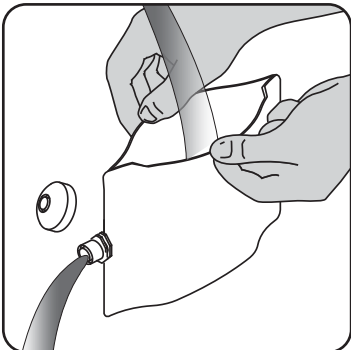
Cleaning

- Always unplug the appliance before cleaning.
- Clean the appliance, food pouches, and easy fill funnels before and after use.
- Bowl, Blade and Bowl Lid are top shelf dishwasher safe* and can also be hand washed with warm, soapy water. Never use abrasive pads to clean machine parts.
- Stainless steel heating plate can be scrubbed with abrasive pad to remove mineral scaling.
- Never put the Driveshaft in the dishwasher.
- Base and Driveshaft should be wiped with damp cloth only.
- We recommend regular cleaning of the Steam Tank to prevent damage to the machine from mineral deposits. The frequency of cleaning will depend on the type of water you are using and how much mineral deposit build up forms. Always unplug before cleaning. Put 1/3 cup white vinegar and 1/3 cup distilled water in machine and let sit overnight. Pour out vinegar and water solution following instructions below. Refill Steam Tank with purified water, plug in machine and run "Steam" cycle for 15 minutes. Rinse with purified water to eliminate any remaining vinegar taste. Empty any remaining water and refill with purified water before steaming new recipes.
- Never use a chemical descaler in the machine.
- Note: To remove unwanted water from the steam tank, water tank, or lid, see diagram below.
- Any other servicing should be performed by an authorized service representative.



Cleaning the Food Pouch

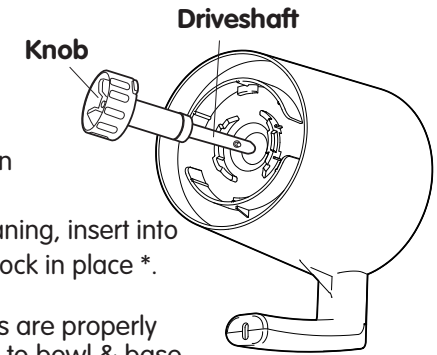
- The food pouch and easy-fill funnel are top rack, dishwasher safe.
- Thoroughly rinse out the food pouch with soap and water.
- Do not use harsh abrasives to clean the food pouch or easy-fill funnel.
- Allow parts to dry before storing away.



Removing and Replacing the Driveshaft

Remove driveshaft from bowl before cleaning in dishwasher. See illustration.

To remove Driveshaft, turn Knob on bottom of bowl counter-clockwise ↺ and pull out. Wipe drive shaft with damp cloth. Never put driveshaft in dishwasher. Do not misplace Driveshaft Gasket while cleaning. To replace the Driveshaft after cleaning, insert into hole in bottom of bowl and turn clockwise ↻ to lock in place*.



*Always make sure Driveshaft & Driveshaft Gaskets are properly inserted and locked into place to prevent damage to bowl & base.

Troubleshooting

Condition	Possible Cause	Possible Remedy
Machine will not start.	Steam Tank is dry. (Machine will beep rapidly 5 times to indicate that the Steam Tank is Dry)	Add water to Water Tank.
	Safety tab on Bowl Lid is not fully inserted into Base.	Make sure Bowl Lid is turned counter-clockwise as far as possible and safety tab on Bowl Lid is fully inserted into Base.
	Machine is unplugged.	Plug in Baby Brezza.
Machine stops during operation	Steam Tank is dry. (Machine will beep rapidly 5 times to indicate that the Steam Tank is Dry)	Add water to Water Tank.
	Safety tab on Bowl Lid has been disengaged from Base.	Make sure Bowl Lid is turned counter-clockwise as far as possible and safety tab on Bowl Lid is fully inserted into Base.
Final puree consistency isn't smooth	Raw food isn't diced finely enough before steaming.	Dice food into smaller pieces, approximately 1/4"-1/2" (1cm), before placing in bowl.
	Low water content of raw food.	Add additional water, formula, breast milk or other liquid after steaming and blend longer.
Can not remove Blade from Driveshaft	Blade is in dropped position with driveshaft pins locked in place.	Lock bowl back onto machine. Gently pull up on center blade column while twisting counter-clockwise.
Scaling in Steam Tank	Mineral rich water used persistently.	Clean Steam Tank by following instructions on page 5.

If you can not remedy problems with the machine by using the troubleshooting chart above, please contact Customer Service at 1-888-396-6552.