



SP8E Log Splitter



Operating Instructions

Before commissioning the machine, read operating instructions and observe warning and safety instructions.

CE

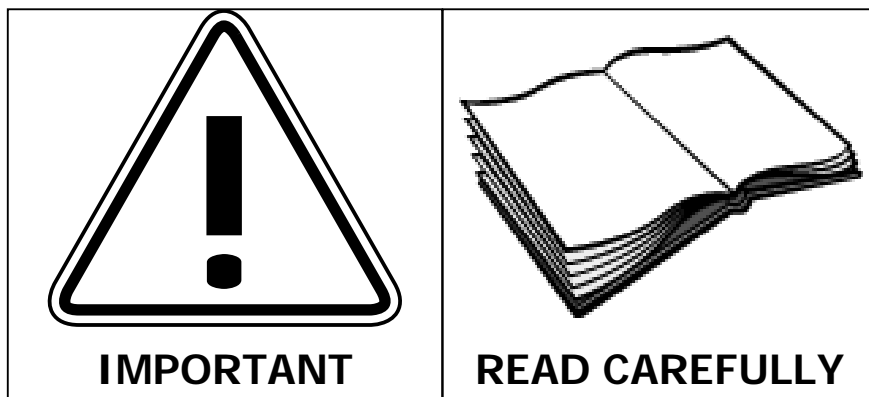


TRACMASTER

Landscape • Groundcare • Conservation

Contents

Pages 3-5	Description of Machine & Illustrations
Page 6	Introduction
Page 7	Explanation of Symbols Used
Page 8	Technical Data
Pages 9-11	Safety
Page 12	Operating the Machine
Page 13	Use
Pages 14-15	Routine Maintenance
Pages 16-17	Troubleshooting
Page 18	Scrapping & Disposal of the Machine
Pages 19-22	Parts Diagrams
Page 23	Part Numbers



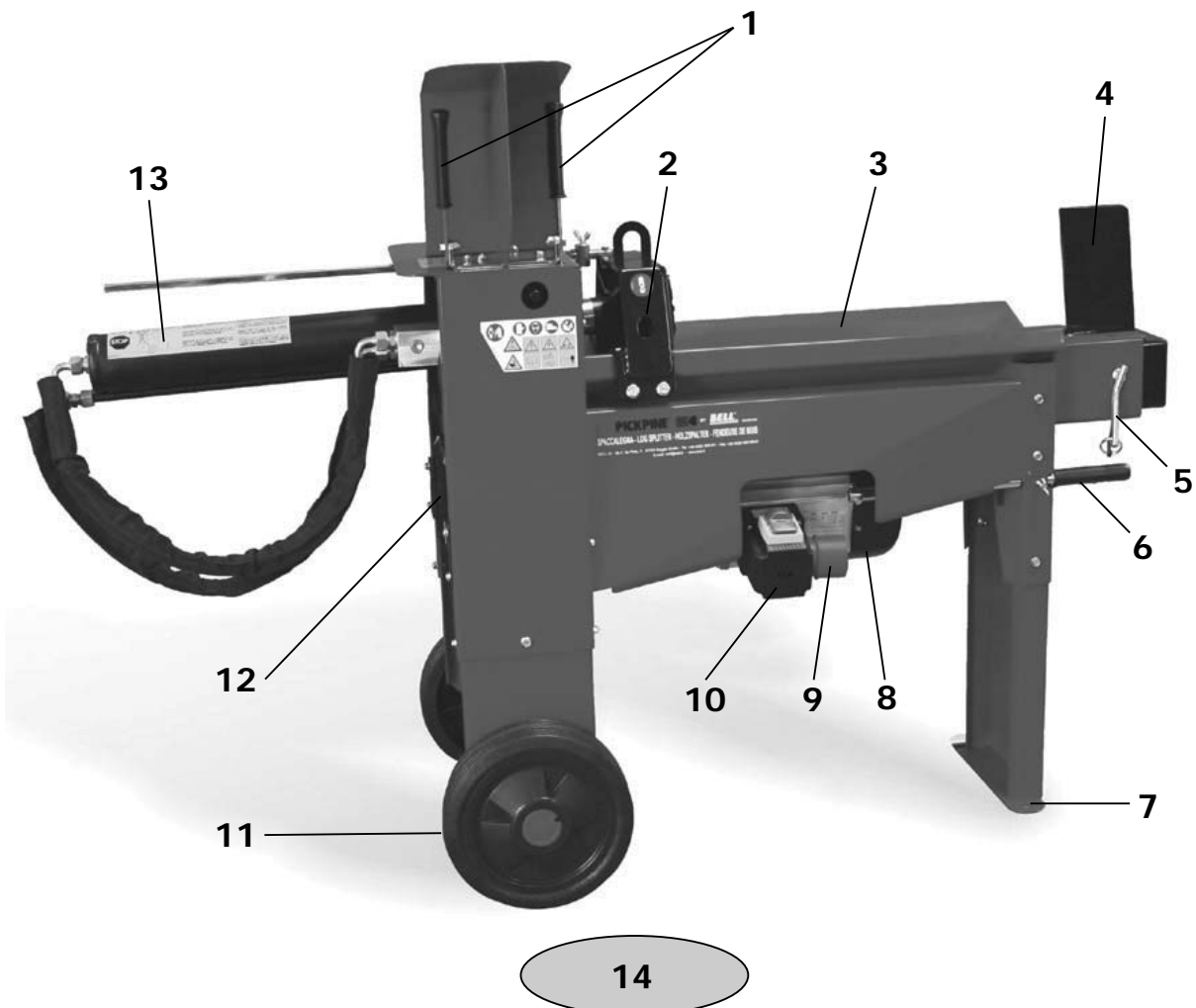
No liability will be accepted for any damage caused to persons or property through failure to observe the operating and safety instructions.

Description of the Machine

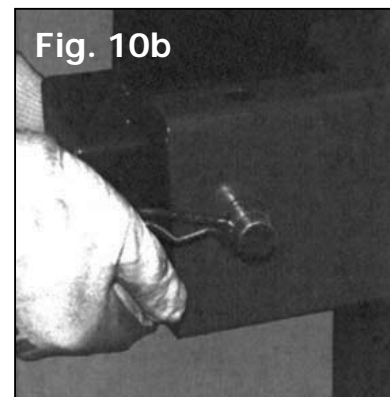
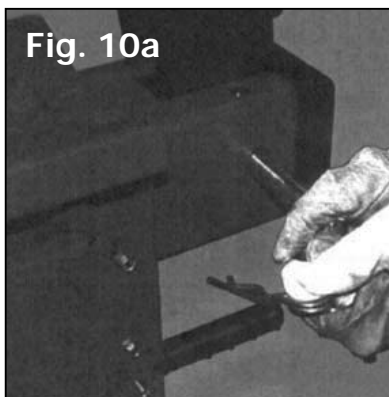
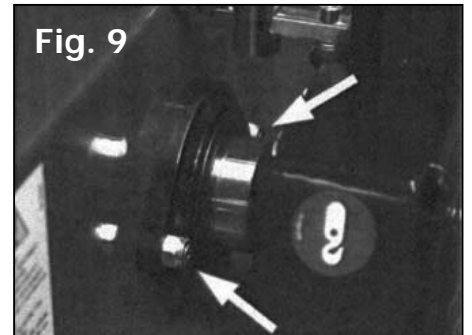
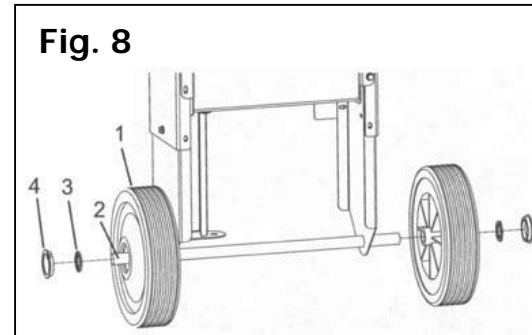
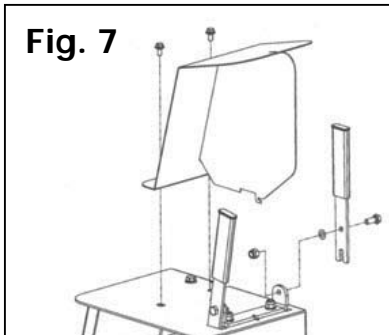
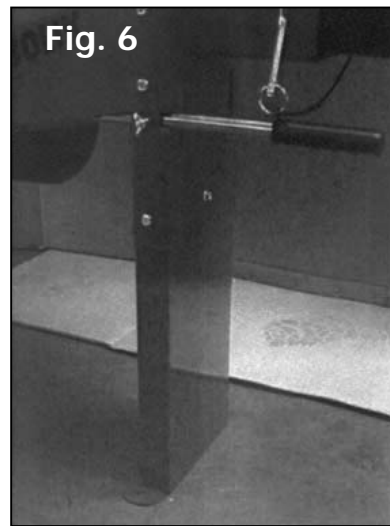
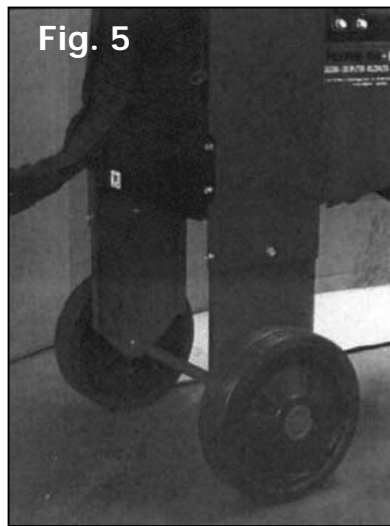
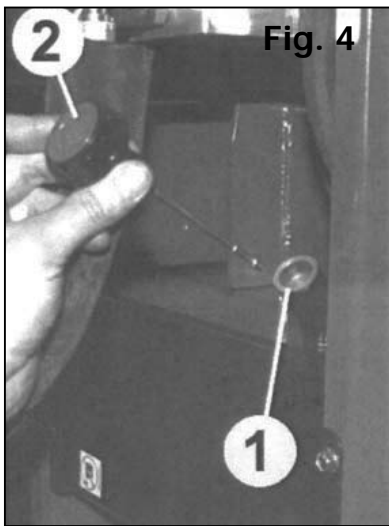
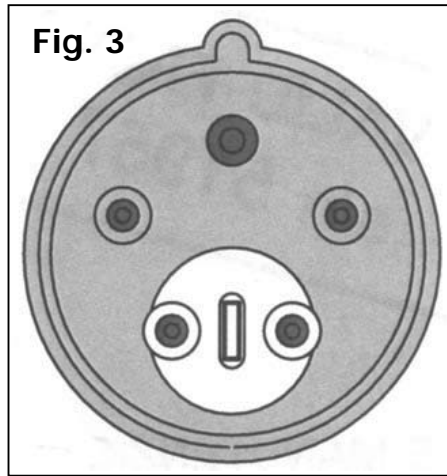
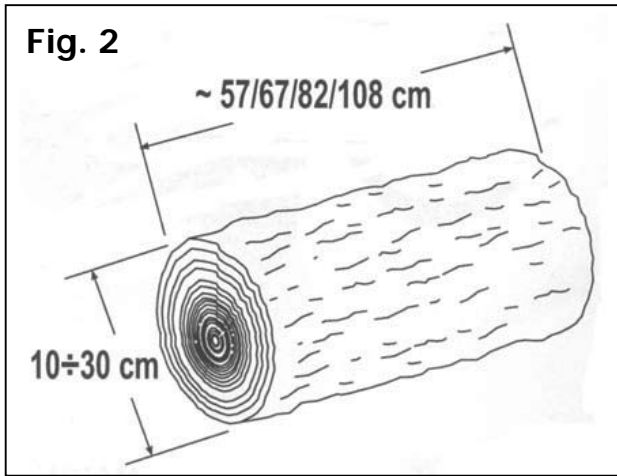
The CAMON SP8E is a portable horizontal log splitter equipped with its own electric motor. The various parts of the machine are shown in fig. 1 below.

- | | | | | | |
|---|---|--------------------|----|---|-----------------------------------|
| 1 | - | ZHB control levers | 8 | - | Electric motor |
| 2 | - | Log pusher | 9 | - | Power supply plug |
| 3 | - | Work surface | 10 | - | Main switch |
| 4 | - | Wedge | 11 | - | Wheels for minor movements |
| 5 | - | Fixing pin | 12 | - | Oil tank |
| 6 | - | Carrying handle | 13 | - | Cylinder |
| 7 | - | Foot | 14 | - | PERMITTED AND MANDATORY WORK AREA |

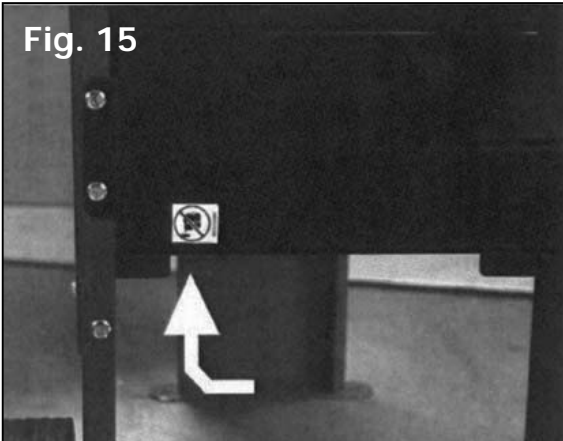
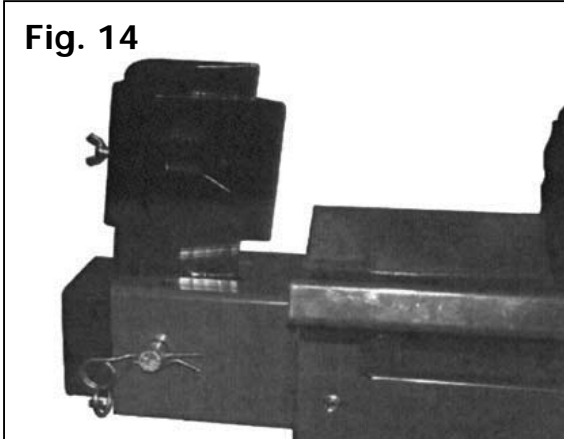
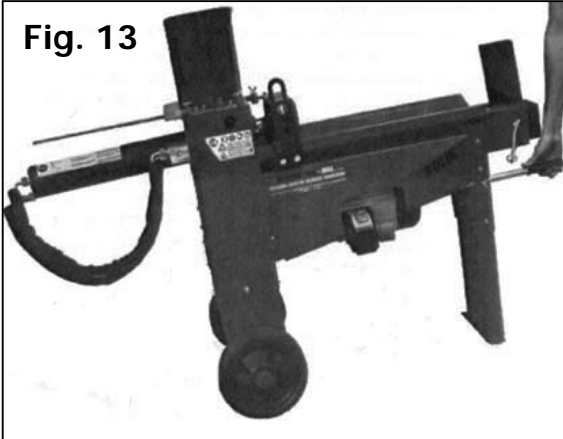
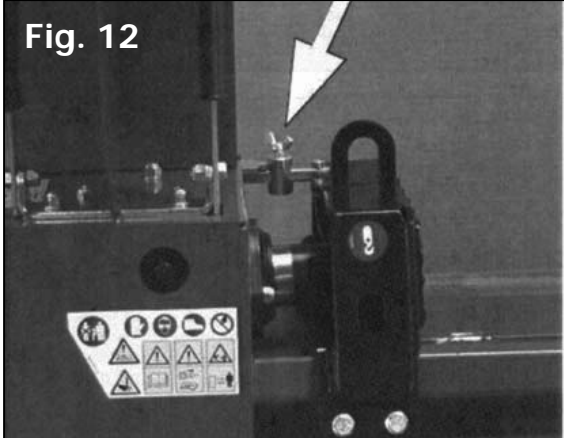
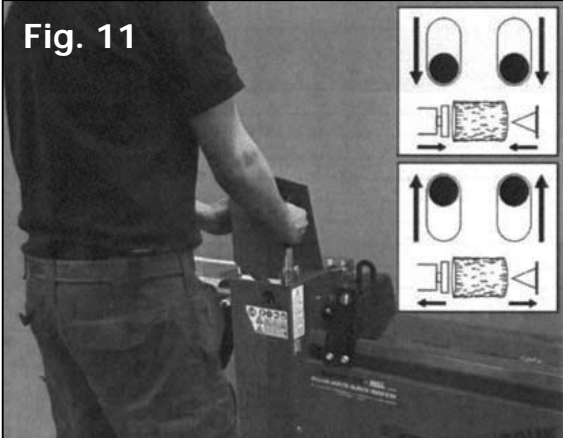
Fig. 1



Illustrations



Illustrations



Introduction

Before using the Log Splitter please read this manual carefully. Following all the instructions provided will ensure that you get excellent results and the best performance from your Log Splitter.

The CAMON SP8E Log Splitter has been designed and manufactured in compliance with the most recent European safety regulations with particular reference to the EN 609-1 and CEI EN 60204-1 standards.

The two-hands control systems have been designed and engineered so that the operator is forced to work in the safety area, employing both hands, without any possibility of inserting hands or arms into dangerous areas.

This Log Splitter is produced in conformity with the specifications contained in the RoHs directive 2002/95/CE.

Before transporting, installing or operating the machine, read all parts of this manual, paying particular attention to the specific safety regulations.

Operators who are unable to understand the language in which this manual is written are responsible for asking the retailer to provide a manual in their own language.

The operator must also train any other person authorised to use the machine.

Failure to comply in any way with these instructions, improper use of the machine, extraordinary maintenance operations not carried out by skilled, authorised personnel, removal of data plates or markings of any type, removal or tampering with the guards and safety mechanisms of the machine or any other action not expressly authorised that may impair the active and passive safety systems of the machine shall relieve the manufacturer of all and any liability and may result in serious injury and damage.

If the machine is tampered with in any way by unauthorised personnel, the guarantee is automatically null and void. This manual is an integral part of the machine and must accompany it even in the case of transfer of ownership.



WARNING: The ignition system of your machine produces an electromagnetic field of very low intensity. This field could interfere with certain pacemakers. To reduce the risk of serious or fatal injury, persons with pacemakers should consult their doctor or the manufacturer of the pacemaker before using this machine.

Explanation of Symbols Used

Standard graphic symbols are used on all machines in order to ensure complete safety of all parts of the Log Splitter. As these symbols are very important, read the information below carefully.



It is necessary to read carefully the entire use and maintenance manual of the machine, before using it.



It is obligatory to wear safety footwear at all times to provide protection against the risk of logs accidentally falling on feet.



It is obligatory at all times to wear gloves which protect the hands against chips and splinters which may be produced during work.



It is obligatory at all times to wear goggles which protects the eyes against chips and splinters which may be produced during work.



The log splitter must be used by one person alone.



It is forbidden to stand in the range of action of the machine, apart from the operator, no other person or animal may be present within a radius of 5 metres from the machine.



Dumping of used oil in the environment is forbidden. The oil must be disposed of according to current legislation in the country where this operation is carried out.



Danger of cutting or crushing of the hand: never touch hazardous areas while the wedge is moving.



Warning: always pay attention to the movement of the log pusher.



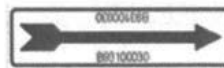
Warning: never remove a log trapped in the wedge with your hands.



Warning: Before carrying out any maintenance operation described in this manual, disconnect the plug of the machine.



Warning: voltage as indicated on the rating plate.



Direction of rotation of the motor. If the motor runs in the wrong direction, follow the instructions on page 12.



Hitch point.



Machines fitted with electrical parts must not be disposed of as general waste but must be separated for disposal and deposited at authorised collection points.

Technical Data

Length	1500mm
Width	530mm
Height	1080/1150mm
Weight	110kg
Max force	8 tonnes
Max log capacity	1080mm
Hydraulic oil tank capacity	5.6 litres
Hydraulic oil total capacity	7 litres
Supply	230V 50Hz 1-phase
Absorption	13A
Power	3hp - 2.2KW
Noise (average)	≤ 85 dB(A)

Noise measured at the height of the operator's ear in the working position with the Log Splitter in operation.
 NOTE: Ears must be suitably protected. Ear defenders must be worn when operating the machine.

Size of the logs to be split

See fig. 2 on page 4 for the maximum log sizes that can be split.

Please note that the diameter of the log is indicative; a small log can be difficult to split if it has knots or a particularly twisted fibre.

Recommended oils

We recommend use of the following oils for the hydraulic cylinder (see page 16 for how to change hydraulic oil):

- SHELL TELLUS T22
 - ARAL VITAM GF22
 - BP ENERGOL HCP22
 - TEXACO RANDO HDZ 22/32
 - MOBIL DTE11 or equivalent
- DO NOT USE OTHER GRADE OILS**

Safety



IMPORTANT

The information given in the chapter is extremely important for safety purposes. It describes possible hazards tied to use of the machine and instructions for correct use of this to avoid injury or damage.

WARNING: The CAMON SP8E Log Splitter has been designed and manufactured to split logs of the sizes recommended on page 4, fig. 2 only.

Use of the machine for any other purpose shall be considered improper and the manufacturer shall not be liable for any injuries or damage to be ascribed to improper use of the machine.

The operator must work in the position shown in fig. 1 on page 3 (pos. 14) only and operate the machine drive control with both hands without using other improvised systems and without tampering with the controls.

When the machine is working, persons and animals must be kept at a distance of at least 5 metres from the machine.



NEVER ATTEMPT TO TAMPER WITH THE PROTECTIONS OF THE LOG SPLITTER OR TO OPERATE THE MACHINE WITHOUT THESE. FAILURE TO COMPLY WITH THE INSTRUCTIONS GIVEN IN THIS CHAPTER MAY RESULT IN SERIOUS INJURY OR DAMAGE TO PERSONS, THINGS AND TO THE MACHINE.

Do not use the Log Splitter to break stone materials (stones, concrete, etc.) or to crush pieces or metal containers.

Safety

General safety regulations

The machine must always be used by one operator only.

Do not use the machine outdoors when it is raining or snowing.

Nobody must be allowed to use the Log Splitter unless they have read the instruction manual and have been instructed in the regulations to follow for correct and safe use.

The machine must be used by adults only.

Never wear loose, unbuttoned clothing which may become trapped in moving parts.

Use a piece of cardboard or wood rather than the hands in order to search for eventual oil leakages.

Oil jets under pressure can penetrate under skin. In this case, see a doctor at once.

Do not move the Log Splitter while the motor is running.

Do not work on sloping or slippery ground. Position the machine in a flat area and ensure that the operator's work space is free of objects which may impede the freedom of movement of the operator.

Keep the log support bench free of waste materials (page 3, fig. 1, no. 3) and ensure that the operator's work space is free of obstacles: logs, chippings, sawdust, etc.

Check that the logs to be split are free from nails or wire, which may fly up or damage the machine, the ends of the logs must be cut square. branches must be cut off flush with the trunk.

Never try to split logs larger than those indicated in fig. 2, page 4. This could be dangerous and may damage the machine.

Break wood in the direction of the grain, do not place wood across the Log Splitter and leave it in that position for splitting; it may be dangerous and may seriously damage the machine.

Never attempt to cut two logs at once; one may fly up and hit you.

If the log moves away from the blade, retract the ram or the blade and turn the log through 90°.

Do not attempt to load the log in the Log Splitter while the ram is in motion, you could get trapped and injured.

Keep your hands well away from any splits and cracks which open in the log; these may close suddenly and crush or amputate your fingers.

Safety

Never leave the machine unattended while it is running. If you leave the machine, even for a short time, remove the power supply or any possible cause of accidental start-up.

The Log Splitter must never be used by an operator who is under the influence of alcohol, drugs, medicines, or who is tired. A clear mind is essential for safety.

Never try to release a jammed log while the machine is running. The machine must be switched off during this operation.

Never request the assistance of another person to help you remove a jammed log.

Do not use machines if natural gas, petrol fumes or other inflammable vapours are present.

Check that the electric circuit to which the machine will be connected is suitable. Power, voltage and frequency of the motor must be checked (verify the nameplate on the motor and the data in this manual). The machine must be connected to a circuit with a regulation differential switch upstream and, in compliance with the norms **(30 mA rated fault current)**, with a ground connection.

Use cables with a section of 2.5mm². Avoid use of free and inadequately insulated connections. Connections must be made with protected material suitable for outdoor use. **Do not use cable extensions longer than 5m. Cables that are too long or cables with inadequate section may cause voltage drops and don't allow the motor to develop all the power.**

Always check the cable extension for any damage before using it.

Never open the pushbutton box on the motor. Should this be necessary, contact a qualified electrician.

Make sure that the machine and the cable never come in contact with water.

Treat the power cable with care. Do not attempt to move the machine by pulling the cable. do not yank the cable to unplug it; keep the cable away from excessive heat, oil and sharp objects.

Never leave the machine unattended with the power supply "on". After use, always switch the machine off and disconnect it from the power supply, especially when any maintenance work is required.

Do not use alcohol, petrol, or solvents to clean the machine. This could cause the safety information applied to the machine itself to become illegible.

Operating the Machine

The Log Splitter, in compliance with standard EN 609-1, is activated with a two hand control: **the machine will function only when both the levers are activated together (fig.11, page 5).**

Never use the Log Splitter if it is not in perfect order or if it needs servicing. Before starting work, check correct functioning of all the safety devices (two hand control and switch-off button).

Before starting work, switch on the Log Splitter and let the oil warm up for a few minutes.

Unpacking and preparing the Log Splitter

Before operating the machine, it is necessary to:

Assemble the wheel axle and the foot

Assemble the wheel axle (fig.5, page 4) and the foot (fig.6, page 4) and secure them with the appropriate screws supplied.

Assemble the control levers and the relative protection

Assemble the levers and the relative protection and secure it with the appropriate screws supplied (fig.7, page 4).

Assemble the wheels

Insert the wheels (no.1, fig.8, page 4) on the axle (no.2). Block the wheels using the elastic washer (no.3) and cover the hole on the wheel with the plastic cap (no.4) supplied.

Extract and fix the cylinder

The Log Splitter is supplied with the cylinder pushed back.

Pull the cylinder out, push it against the body of the machine (fig.9, page 4) and insert the two screws onto the chassis, in the cylinder's holes.

Fix the cylinder by screwing the nuts on the screws without tightening them too much.



WARNING: DO NOT SWITCH ON THE LOG SPLITTER WITH THE CYLINDER NOT FIXED. THE CYLINDER MUST BE EXTENDED AND FIXED WITH THE LOG SPLITTER OFF.

Operating the Machine

Replace the oil cap

Remove the transparent oil sump cap (no.1, fig.4, page 4) and fit the cap with the rod (no.2, fig.4) supplied in the bag attached to the Log Splitter.

Test of the engine's rotation direction

If the motor does not run in the correct direction, invert two of the phases in the socket. Remove the plug from the Log Splitter. Insert a slotted screwdriver with a suitably sized wedge in the slot located in the connection inlet close to the electric motor as shown in fig.3, page 4. Exerting a slight pressure, turn the white wheel by 180°. This operation physically inverts the poles on the three-phase motor. Check that the motor runs in the correct direction as indicated by the arrow.



Never open the box containing the switch, or open the terminal block on the motor.



If it is necessary to do so, have these operations carried out by an electrician.

If the fuses blow or the protection valve trips, this means that you are overloading the motor or the electrical installation is not correctly rated. Consult an electrician.

Lighting

Lighting must be provided in the entire work area of the Log Splitter to ensure perfect visibility when operating the machine and during maintenance and adjustments. Even when working outdoors, there must be sufficient light to work safely. Working at times when insufficient light may result in poor visibility of the machine and its components (dawn, dusk, night) is prohibited.

Use

Adjusting the beam

The CAMON SP8E has a telescopic beam which allows adjustment of the log pusher stroke at three different lengths: 57, 67, 82 and 108 cm. To adjust the beam, proceed as follows:

Extract the retainer spring which secures the pin, located under the blade (page 5, fig.10a and 10b).

Extract the pin from the other side (fig.10a).

Pull or push the beam until the locking holes for insertion of the pin coincide at the point desired.

Fit the pin back into the hole and fix it with the spring (fig.10b), making sure that the spring is firmly in place.



WARNING: NEVER USE THE SPLITTER WITHOUT THE PIN INSERTED IN THE BEAM, OR WITHOUT THE RETAINER SPRING IN THE PIN. BEFORE STARTING WORK, MAKE SURE THAT THE SPRING IS FIRMLY IN PLACE IN THE PIN.

Use of the Log Splitter

Do not use the machine outdoor when it is raining or snowing.

Make sure that the switch/cut-out of the general power system and the switch of the machine are OFF.

Connect the electric log splitter to the power system inserting the plug in the socket beside the electric motor.

Never pass the power cable over the working plane, close to the wedge or anywhere where it may be damaged or severed.

Set the main on/off switch and then switch on the log splitter pressing the switch in the green area.

The log pusher will move automatically to the fully open position.

Place the log on the work surface (no. 3, fig.1, page 3). The supporting guides help to keep the log at the centre of the wedge. If the log tends to wobble, it must be repositioned turning it so that it remains firmly on the beam.

Use

From the permitted position only (no.14, fig.1, page 3), activate both the levers of the two hand control. The log pusher will be activated and the log will be split. Pull the levers of the two hands control and hold them in this position until the log is completely split.

Note: If you release one of the levers, the machine will stop in its current position. If you push the levers ahead, the log pusher come back to the start position, fully open position.

Repeat the operation with the pieces obtained so as to split the log into several parts.

Never force the Log Splitter for more than a few seconds keeping the cylinder under pressure in the attempt to split excessively hard wood. The oil under pressure will overheat and the machine could be damaged. It is better to stop and rotate the log by 90° to see whether it can be split in a different position. If you are not able to split the log, this means that its hardness exceeds the capacity of the machine and that log should be discarded so as not to damage the Log Splitter.

If you leave the Log Splitter unattended, always switch it off pressing the switch in the red area (off).

On completing the work, switch off the Log Splitter by turning the switch/differential of the general power system to the "0" position (off) and then remove the plug from the socket on the machine. Never yank the plug using the cable. Grasp the body of the plug and pull it firmly.

When not in use, store the machine where it is protected from atmospheric agents. To move the machine for short distances (fig.13, page 5) use the appropriate handle (no.6, fig.1, page 3).

When transporting (e.g. loaded on motor vehicles), ensure that all parts of the machine have cooled down completely, the bleeder screw is screwed up, and the machine is positioned horizontally.

Use

Adjustment of wedge stroke

To save time, a system has been designed that makes it possible to adjust wedge stroke so that this can be set for short logs. In this way, the wedge travels for the distance required only.

After checking the length of the longest logs to be split, regulate wedge stroke as follows:

Unscrew the butterfly screw of the adjuster system (fig.12, page 5) without removing it.

Start the Log Splitter and bring the wedge to the position required. Release one of machine control levers so that the wedge does not return but stops in the position you have chosen.

With your other hand, tighten the screw.

The Log Splitter will now re-locate in the point you have set.

Moving the Log Splitter

To move the Log Splitter around, lift it using the appropriate handle (no.6, fig.1, page 4) and pull or push it along on its wheels (fig.13, page 5).

Assembly and use of 4-way-wedge (optional) and slip-on-wedge (optional)

The CAMON SP8E Log Splitter can be equipped with a 4-way-wedge, to split a trunk into four logs with a single stroke, or with a slip-on-wedge, to reduce working time.

The 4-way-wedge (fig.14, page 5) or the slip-on-wedge must be assembled directly on the standard 2-way-wedge.

Position the additional wedge and fasten it in place by tightening the butterfly screw (on the back side of the wedge) which must engage in hole in the 2-way-wedge.

The 4-way-wedge is used in the same way as the 2-way wedge taking care, however, not to split very hard wood or wood with a large number of knots as the use of 2 wedges instead of one causes greater stress on the wedge.

The slip-on-wedge should be used when not too hard wood has to be split.



WARNING: NEVER USE THE 4-WAY-WEDGE OR THE SLIP-ON-WEDGE IF IT HAS NOT BEEN SECURED INTO POSITION WITH THE BUTTERFLY SCREW SUPPLIED, AS THIS COULD PROVE VERY DANGEROUS FOR BOTH THE OPERATOR AND THE MACHINE.

Routine Maintenance

Routine Maintenance

This chapter describes routine maintenance, i.e. operations carried out by the operator, on the CAMON SP8E Log Splitter to keep it in perfect working order and therefore reliable for continuous, long-term use.

All routine maintenance operations must be carried out with the machine off and in the case of log splitters with electric motor with the power cable disconnected.

Any other maintenance operation not specifically envisaged in this manual must be carried out by authorised personnel only in that hazardous situations may arise for which the operator is not prepared.

In the case in which extraordinary maintenance or part replacement operations are not carried out by authorised personnel, the guarantee shall be immediately null and void and the manufacturer shall be relieved of any responsibility for injury to persons or animals or damage.

How to change the hydraulic oil

The spent oil must be replaced with new oil of the type indicated on page 8 (recommended oils) every 600 hours of operation. To change the oil, proceed as follows.

Make sure that the log pusher is fully retracted.

Place a collection tray able to hold around 7 litres of oil under the oil drainage dowel (fig.15, page 6).

Unscrew the dowel (fig. 15) with a suitable allen wrench and let all the oil in the tank drain into the collection tray.

Tilt the log splitter slightly to drain the oil tank completely.

When the tank is completely empty, clean the drain outlet and cap with petrol, then screw the cap back into place.

Remove the oil cap (no.2, fig.4, page 4) and fill the tank with suitable oil (the oils to be used are indicated on page 8), pouring in about 4.5 litres.

Switch on the Log Splitter and put it into operation, running it through about $\frac{1}{3}$ of the complete stroke.

Completely retract the log pusher then add the rest of the oil and put the machine through two complete cycles to drive the air from the hydraulic circuit.

Routine Maintenance

Clean the oil filler inlet and replace the cap.



WARNING: NEVER MIX OIL WITH GENERAL WASTE! USED OIL MUST BE DISPOSED OF ACCORDING TO CURRENT REGULATIONS IN THE COUNTRY WHERE THE MACHINE IS USED.

Sharpening the wedge

After long periods of operation and when required, sharpen the wedge of the Log Splitter using a fine-toothed file and taking care to remove any burrs or crushed parts of the metal.

Troubleshooting

Problem	Probable Cause	Corrective Action
Log fails to split.	Incorrect positioning of the log.	Change the position of the log in relation to the wedge.
	Log exceeds permitted dimensions or the wood is too hard for the capacity of the machine.	Try to cut a small part or use other means to reduce the size of the log.
	Wedge does not cut.	Sharped the wedge, check for burrs or nicks, file if necessary.
	Oil leak.	Locate the leak using a piece of card or wood. Contact your dealer.
	Hydraulic pressure too low.	Contact your dealer.
Rod advances jerkily or with strong vibrations.	Air in the circuit.	Check oil level. Top up if necessary. Check that the connections are not restricted or the pipes damaged in the system from the tank to the pump. If problem persists contact your dealer.
Foamy oil comes out from the filler cap.		
Oil leak from the unions, pump or cylinder.	Unions not tightened.	Tighten unions.
	Seals worn.	Contact your dealer.

Resetting of the thermal cut-out motor

In the case of machines with electric motor, a protection device applied to the motor and integrated in the main on/off switch is tripped in the case of overloads, sudden increases in voltage or accidental faults in the electrical system. In this case, before calling your supplier, wait a few minutes and then try to reset the main on/off switch. If the problem does not re-occur, the Log Splitter can be used normally. If the cut-out is tripped again, do not try to reset it and contact your supplier.

Scrapping & Disposal of the Machine

The machine must be scrapped in compliance with all safety regulations for the prevention of personal injury and damage to the environment and animals.

All parts of the machine must be scrapped and disposed of in accordance with applicable legislation in the place of scrapping.

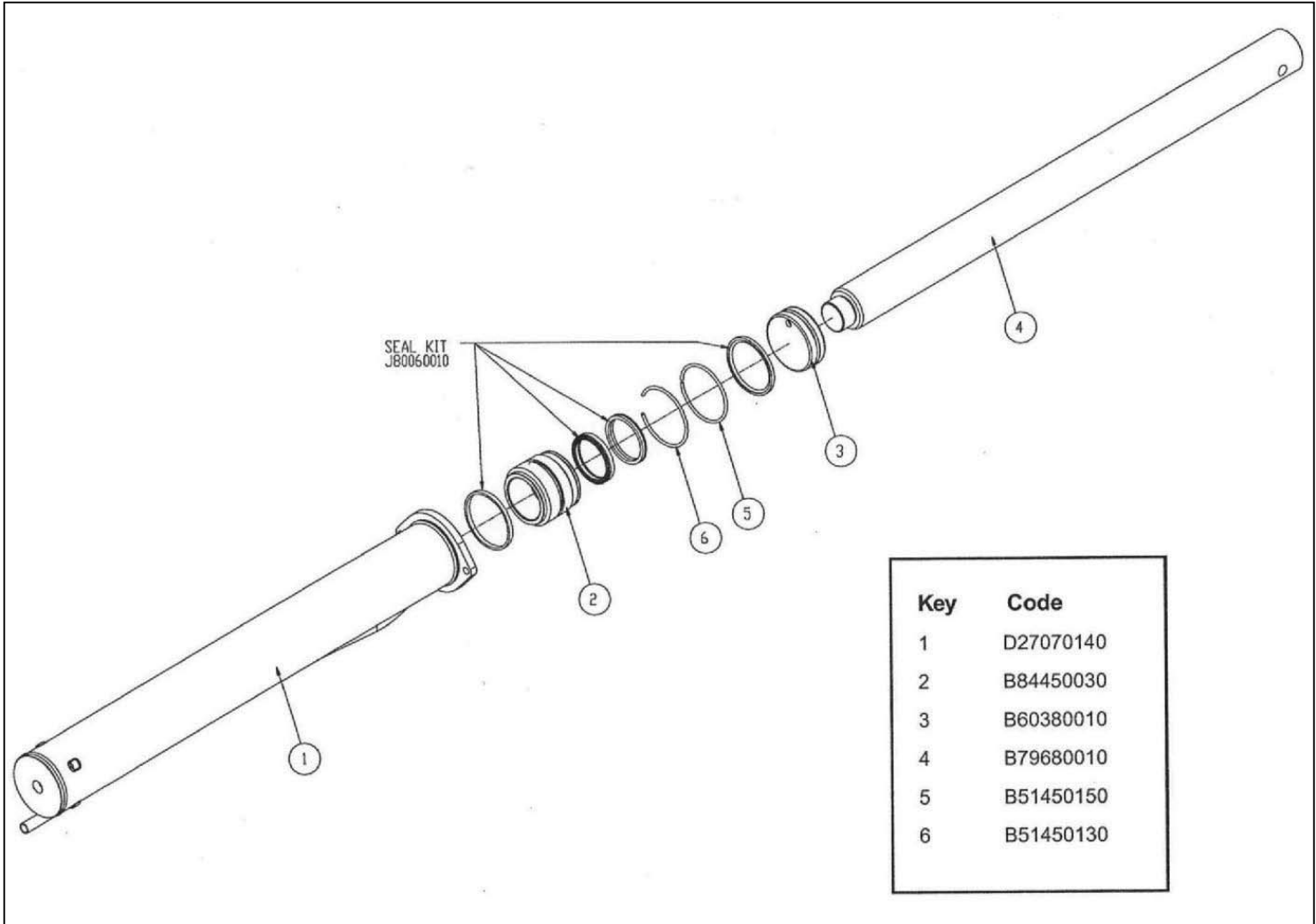
Dispose of hydraulic fluid and electric parts correctly. Do not dispose of these in the environment, as they are hazardous pollutants, and treat them in accordance with applicable legislation.

Machines fitted with electrical parts must not be disposed of as general waste and must be separated for disposal as separately collected fractions, deposited at authorised collection points.

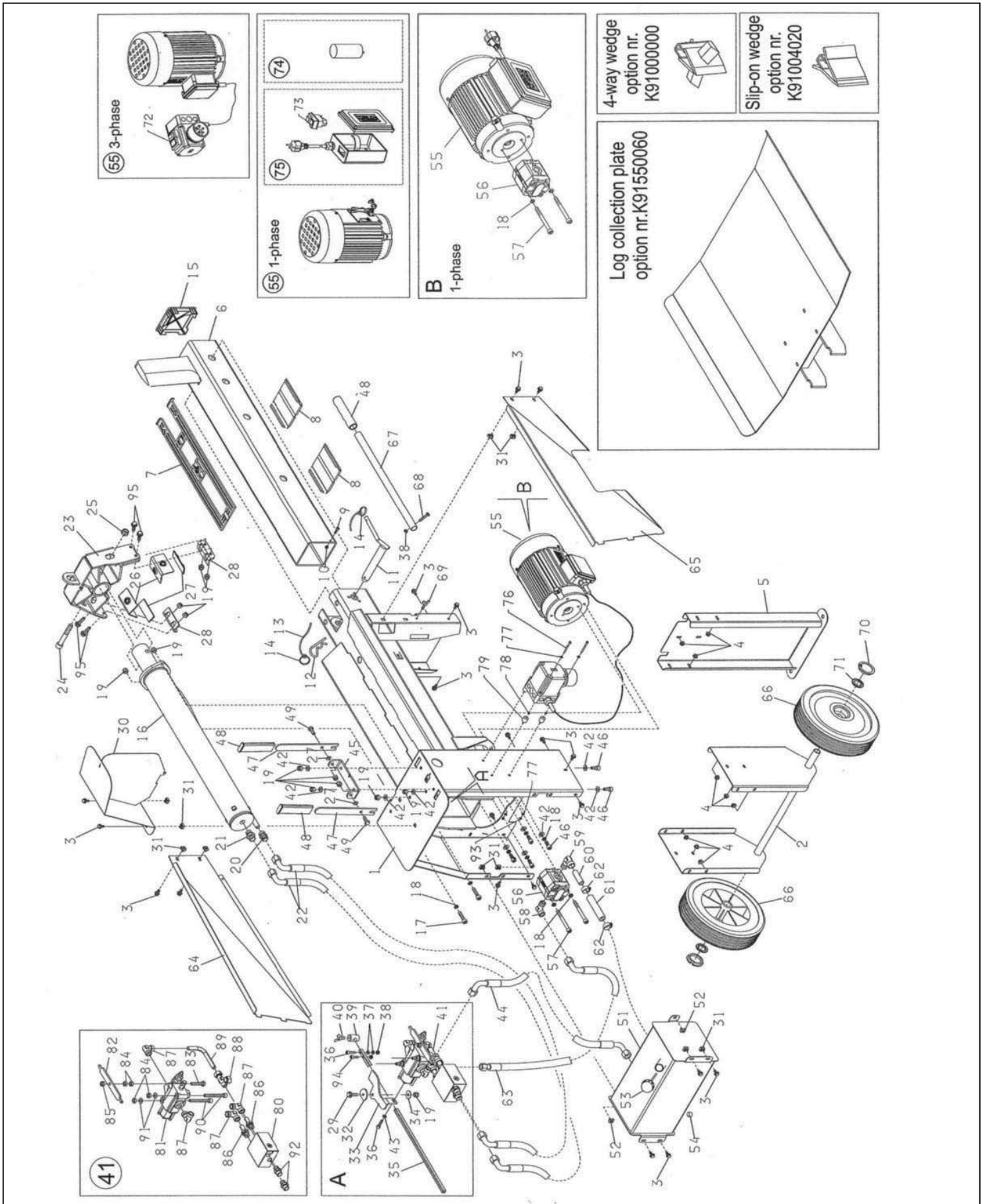
The manufacturer is committed to waste recycling (WEEE) and is a member of specialised waste disposal consortiums.

Incorrect waste disposal is punishable by law.

Cylinder



Parts Diagrams



Part Numbers

Key	Part No.	Key	Part No.	Key	Part No.
1	D05030780	34	E26770160	64	B62100240
2	D05130430	35	B41080115	65	B62100250
3	E26050520	36	E26075087	66	E31650030
4	E26530442	37	E26760013	67	B71200020
5	B77120290	38	E26560312	68	E26035068
6	D05560020	39	B41000620	69	E26451085
7	B50010150	40	E26451200	70	882110090
8	B50010090	41	D021 02750	71	E26790010
9	E26075063	42	E26760014	72	E78300215
10	E26561311	43	E26515036	73	E87200110
11	D05411155	44	D55060500	74	E78000021
12	E27072020	45	B77120440	75	D02201100
13	E27102010	46	E26075102	76	E26075052
14	E27120030	47	B71150150	77	E26760011
15	B82110010	48	E28560200	78	E26840011
16	D80060170	49	E26035096	79	E28300060
17	E26075105	50	E26830055	80	D02102740
18	E26840016	51	D05170300	81	E55760300
19	E26561344	52	E26640010	82	B71100300
20	E51091028	53	E28400015	83	E26035100
21	E51011122	54	E26620248	84	E26515038
22	D55060420	55	001100020 1-phase	85	E26561344
23	005240340	55	001100030 3-phase	86	E51120000
24	E26075161	56	E53010017 1-phase	87	E51041136
25	E26560446	56	E5301 0047 3-phase	88	E51061146
26	B50010080	57	E26075113 1-phase	89	B55570220
27	B50010030	57	E26075114 3-phase	90	E26075112
28	877120800	58	E51201136	91	E26760014
29	E26051550	59	E51141033	92	E51201122
30	D05111480	60	B55630795	93	E26560310
31	E26600050	61	055080710	94	E26075085
32	B47000130	62	E27700120	95	E26051552
33	871150140	63	D55060410		

© Tracmaster Ltd 2012.
Specifications are subject to change without prior notice.



Tracmaster Ltd, Sovereign Centre, Victoria Road, Burgess Hill RH15 9LR

T: +44 (0) 1444 247689 F: +44 (0) 1444 871612

W: www.tracmaster.co.uk E: info@tracmaster.co.uk