

**Tracmaster Ltd**

Tel: +44 (0) 144 247689

[www.tracmaster.co.uk](http://www.tracmaster.co.uk)

Parts Diagram

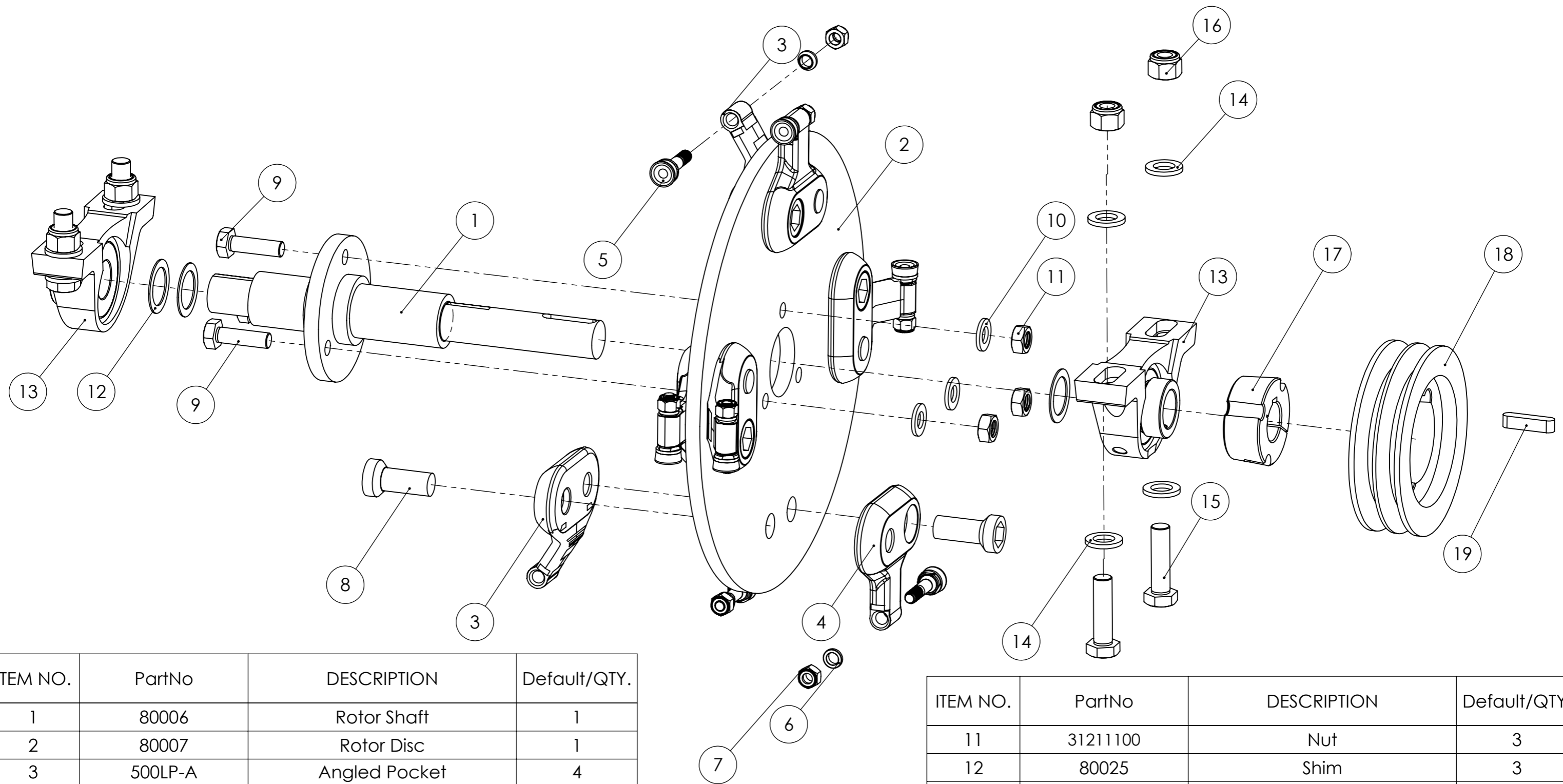
## **SG30 Stump Grinder**

VALID FROM

MAY 2019

REVISION

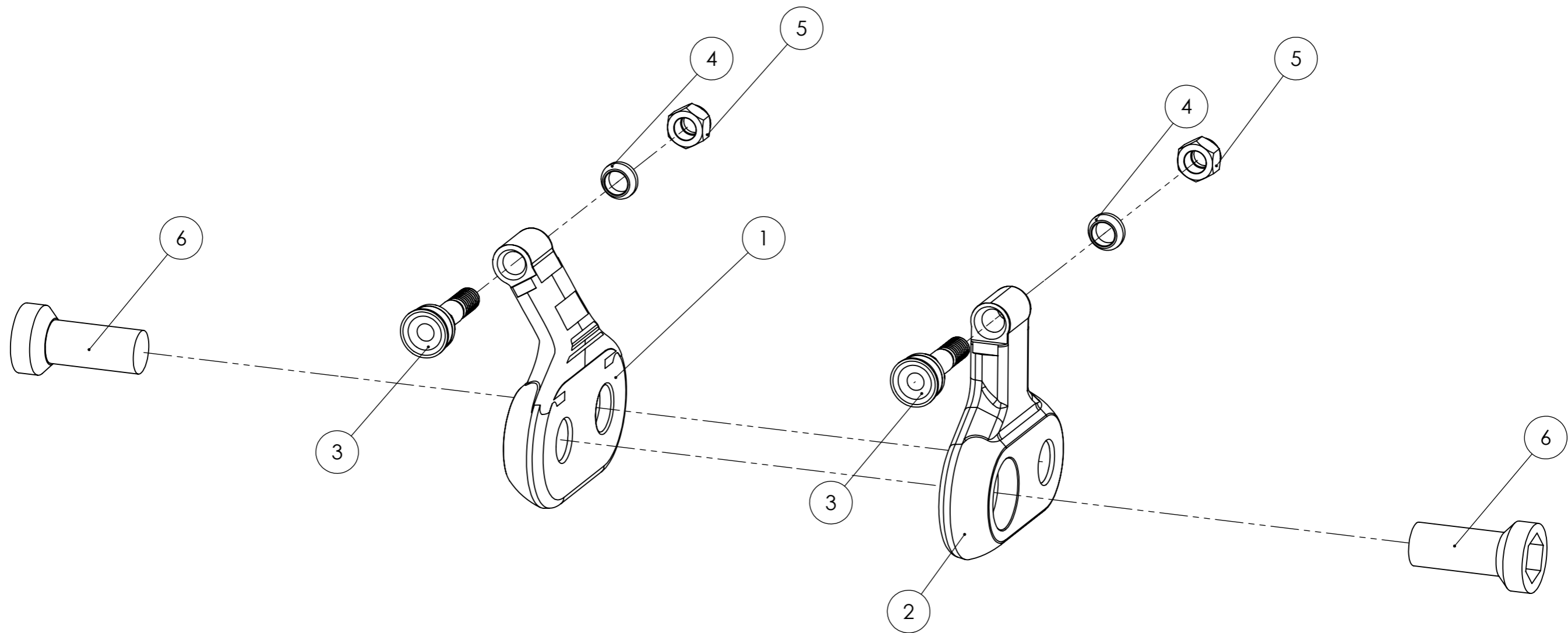
A



ITEM NO.	PartNo	DESCRIPTION	Default/QTY.
1	80006	Rotor Shaft	1
2	80007	Rotor Disc	1
3	500LP-A	Angled Pocket	4
4	500LP-S	Straight Pocket	4
5	500TH-R	Tooth	8
6	500-Spacer	Spacer	8
7	500-Nut	Locknut	8
8	LP134	Tooth Bolt	8
9	31112212	Bolt	3
10	31411105	Washer	3

ITEM NO.	PartNo	DESCRIPTION	Default/QTY.
11	31211100	Nut	3
12	80025	Shim	3
13	80005	Bearing	2
14	TL12926	Washer	8
15	31112263	Bolt	4
16	31241120	Nyloc	4
17	80021B	Bush	1
18	80021P	Pulley	1
19	90977	Key	1

<b>Tracmaster Ltd</b> Tel: +44 (0) 144 247689 www.tracmaster.co.uk	Parts Diagram	Rotor Shaft	VALID FROM	MAY 2019
	<b>SG30 Stump Grinder</b>		REVISION	A



ITEM NO.	PartNo	DESCRIPTION	Teeth/QTY.
1	500LP-A	Angled Pocket	1
2	500LP-S	Straight Pocket	1
3	500TH-R	Tooth	2
4	500-Spacer	Spacer	2
5	500-Nut	Locknut	2
6	LP134	Tooth Bolt	2

**Tracmaster Ltd**

Tel: +44 (0) 144 247689

www.tracmaster.co.uk

Parts Diagram

## SG30 Stump Grinder

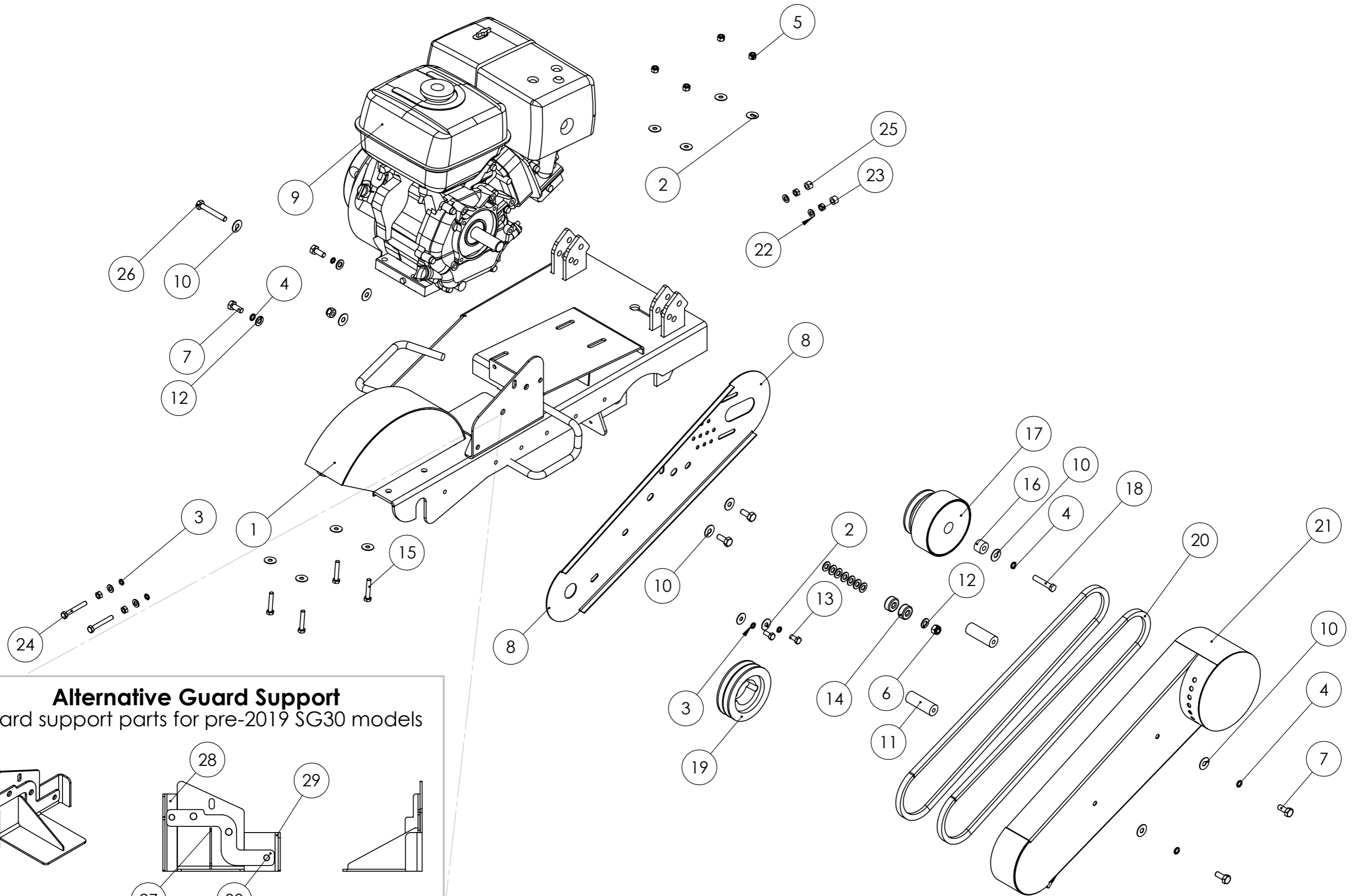
Teeth

VALID FROM

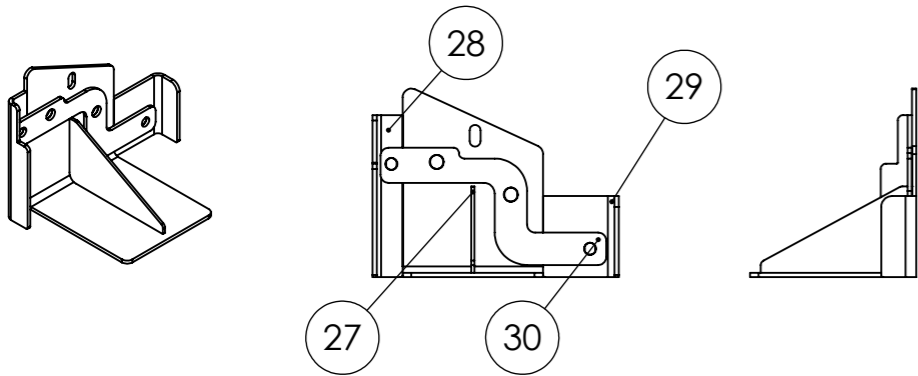
MAY 2019

REVISION

A



**Alternative Guard Support**  
Guard support parts for pre-2019 SG30 models



Tracmaster Ltd

Tel: +44 (0) 144 247689

www.tracmaster.co.uk

Parts Diagram

**SG30 Stump Grinder**

Engine & Drive System

VALID FROM

MAY 2019

REVISION

A

ITEM NO.	PartNo	DESCRIPTION	Engine & Drive Train/QTY.
1	80001	Chassis	1
2	60065	Penny washer	12
3	60075	Spring Washer	5
4	TCLAWKS1	Spring Washer	4
5	31241080	Nyloc	4
6	31241100	Nyloc	2
7	3112219	Bolt	6
8	80016	Rear Belt Guard	1
9	GX390B	Honda Engine	1
10	40015	Penny washer	8
11	80010	Belt Guard Spacer	2
12	31411105	Washer	10
13	31100003	Hex Bolt	2
14	80022	Bearing	2
15	31112155	Hex Bolt	4
16	80011	Spacer	1
17	761636	Clutch	1
18	40038	Bolt	1
19	80021P	Pulley	1
20	80020	Drive Belt	2
21	80018	Belt Guard	1
22	31411105	Washer	4
23	31211080	Nut	4
24	31112156	Hex Bolt	2
25	80051	Engine Tension Spacer	2
26	31111216	Bolt	1
27	80065	Belt Guard Gusset	1
28	80066	Guard Support Bracket - Left	1
29	80067	Guard Support Bracket - Right	1
30	80068	Guard Support Connector	1

Tracmaster Ltd

Tel: +44 (0) 144 247689

www.tracmaster.co.uk

Parts Diagram

**SG30 Stump Grinder**

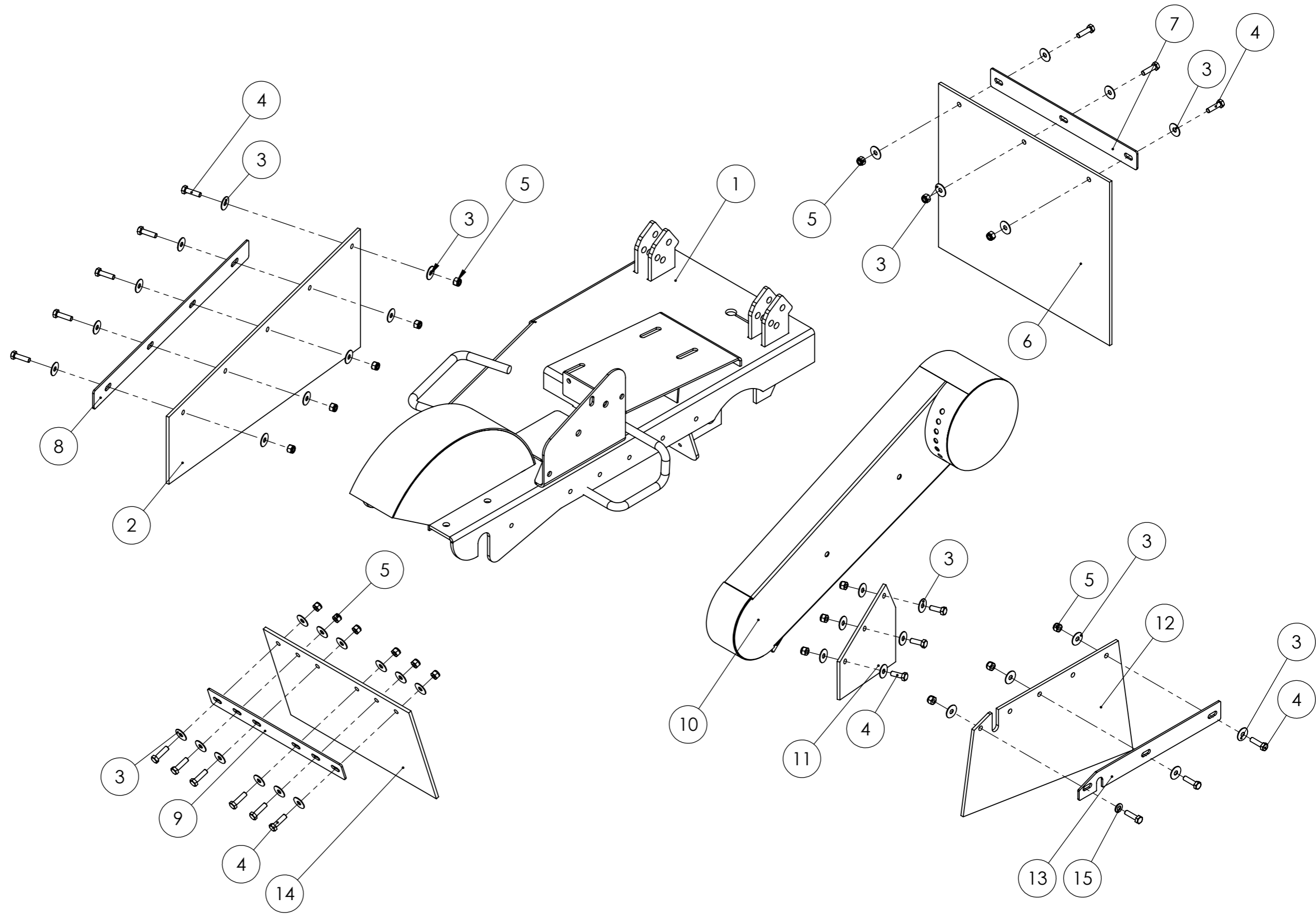
Engine & Drive System Parts Table

VALID FROM

MAY 2019

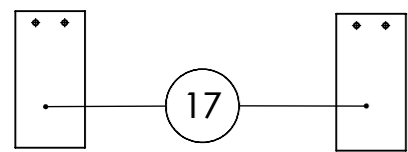
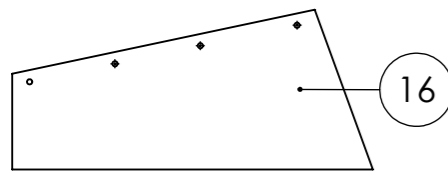
REVISION

A



### March 2019 Rubber Guards

Rubber Guards & support parts for pre-2019 SG30 models



**Tracmaster Ltd**  
 Tel: +44 (0) 144 247689  
 www.tracmaster.co.uk

Parts Diagram  
**CAMON SG30 Stump Grinder**

Chassis & Guards

VALID FROM	MAY 2019
REVISION	A

ITEM NO.	PART NUMBER	DESCRIPTION	QTY.
1	80001	Chassis	1
2	80034	RH Rubber Curtain	1
3	60065	Penny washer	40
4	31112152	Hex Bolt	20
5	31241080	Nyloc	21
6	80036	Rear Rubber Flap	1
7	80040	Rear Guard Plate	1
8	80038	RH Guard Plate	1
9	80039	Under Chassis Guard Retainer	1
10	80018	Belt Guard	1
11	80061	Small Rubber Flap	1
12	80062	RH Rubber Flap	1
13	80037	RH Guard Plate	1
14	80063	Large Middle Rubber Flap	1
15	31411105	Washer	1
16	80033	LH Rubber Curtain	1
17	80035	Under Chassis Rubber	2

**Tracmaster Ltd**

Tel: +44 (0) 144 247689

www.tracmaster.co.uk

Parts Diagram

**SG30 Stump Grinder**

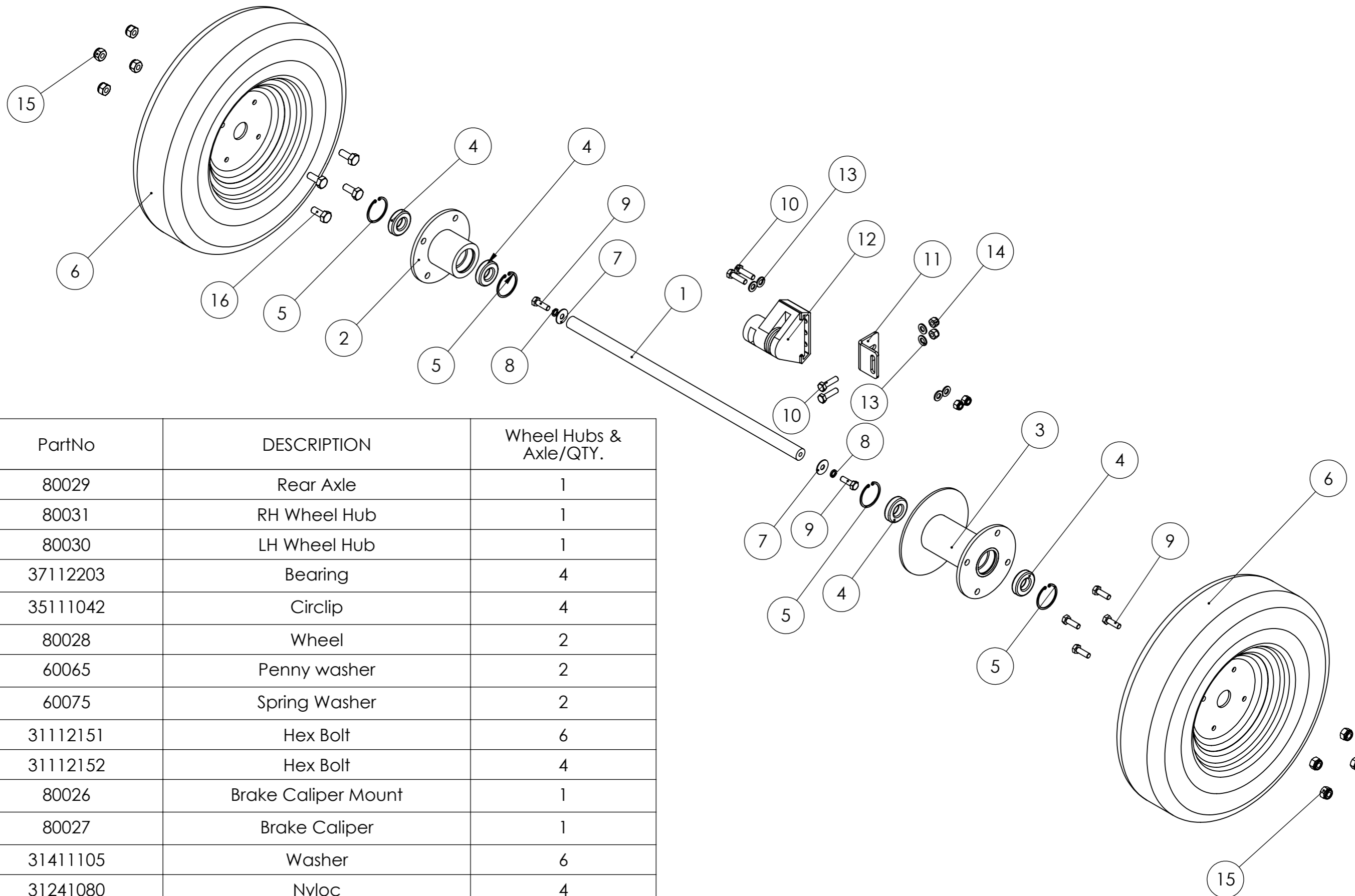
Chassis & Guards Parts Table

VALID FROM

MAY 2019

REVISION

A



ITEM NO.	PartNo	DESCRIPTION	Wheel Hubs & Axle/QTY.
1	80029	Rear Axle	1
2	80031	RH Wheel Hub	1
3	80030	LH Wheel Hub	1
4	37112203	Bearing	4
5	35111042	Circlip	4
6	80028	Wheel	2
7	60065	Penny washer	2
8	60075	Spring Washer	2
9	31112151	Hex Bolt	6
10	31112152	Hex Bolt	4
11	80026	Brake Caliper Mount	1
12	80027	Brake Caliper	1
13	31411105	Washer	6
14	31241080	Nyloc	4
15	31241100	Nyloc	8
16	3112219	Bolt	4

**Tracmaster Ltd**

Tel: +44 (0) 144 247689

www.tracmaster.co.uk

Parts Diagram

**SG30 Stump Grinder**

Wheel Hubs

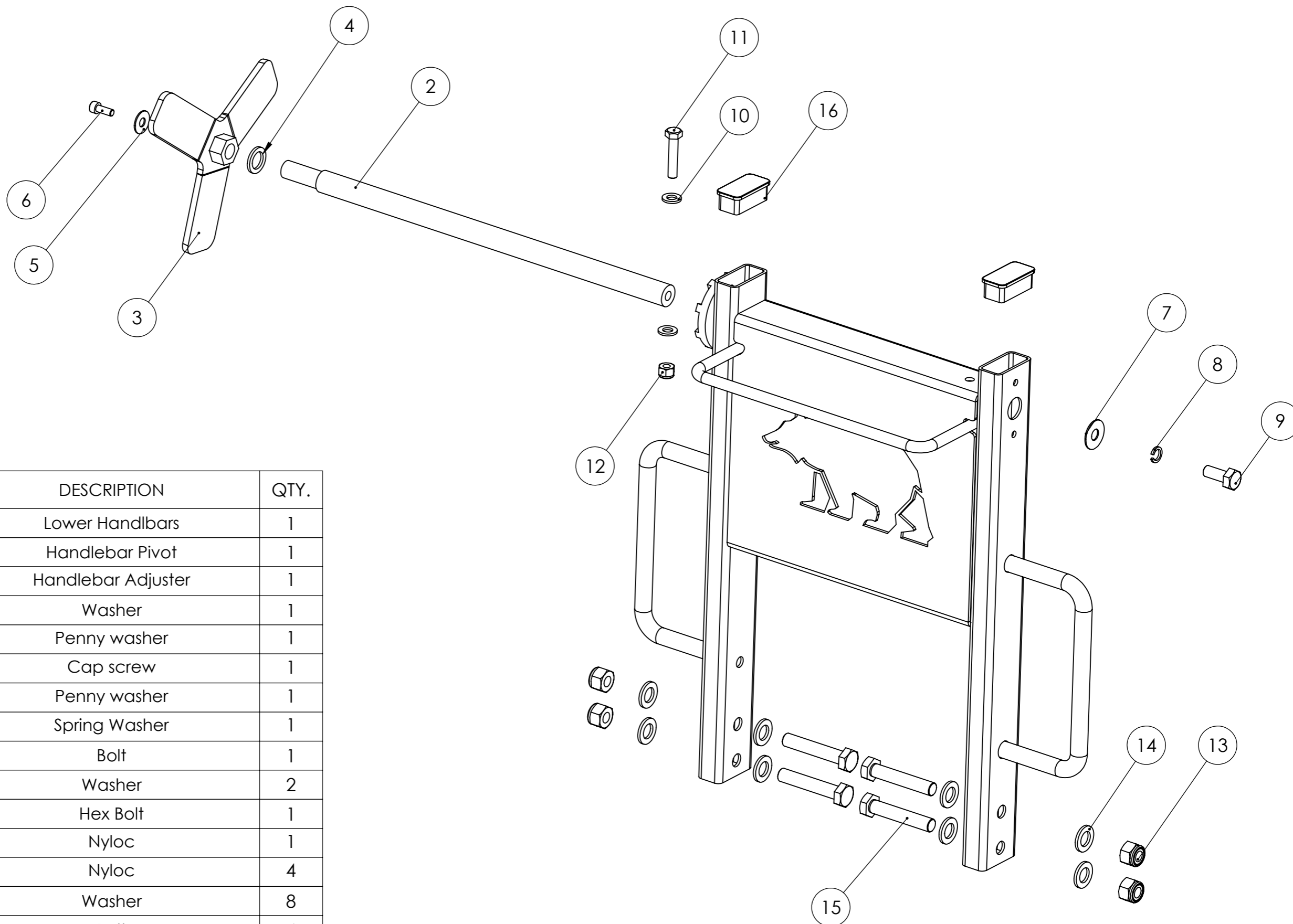
VALID FROM

MAY 2019

REVISION

A





ITEM NO.	PART NUMBER	DESCRIPTION	QTY.
1	80003	Lower Handlbars	1
2	80009	Handlebar Pivot	1
3	80008	Handlebar Adjuster	1
4	80052	Washer	1
5	31411066	Penny washer	1
6	31152057	Cap screw	1
7	40015	Penny washer	1
8	TCLAWSK1	Spring Washer	1
9	3112219	Bolt	1
10	31411105	Washer	2
11	31112154	Hex Bolt	1
12	31241080	Nyloc	1
13	31241120	Nyloc	4
14	12926	Washer	8
15	31112282	Bolt	4
16	80046	Plastic End Cap	2

Tracmaster Ltd

Tel: +44 (0) 144 247689

www.tracmaster.co.uk

Parts Diagram

**SG30 Stump Grinder**

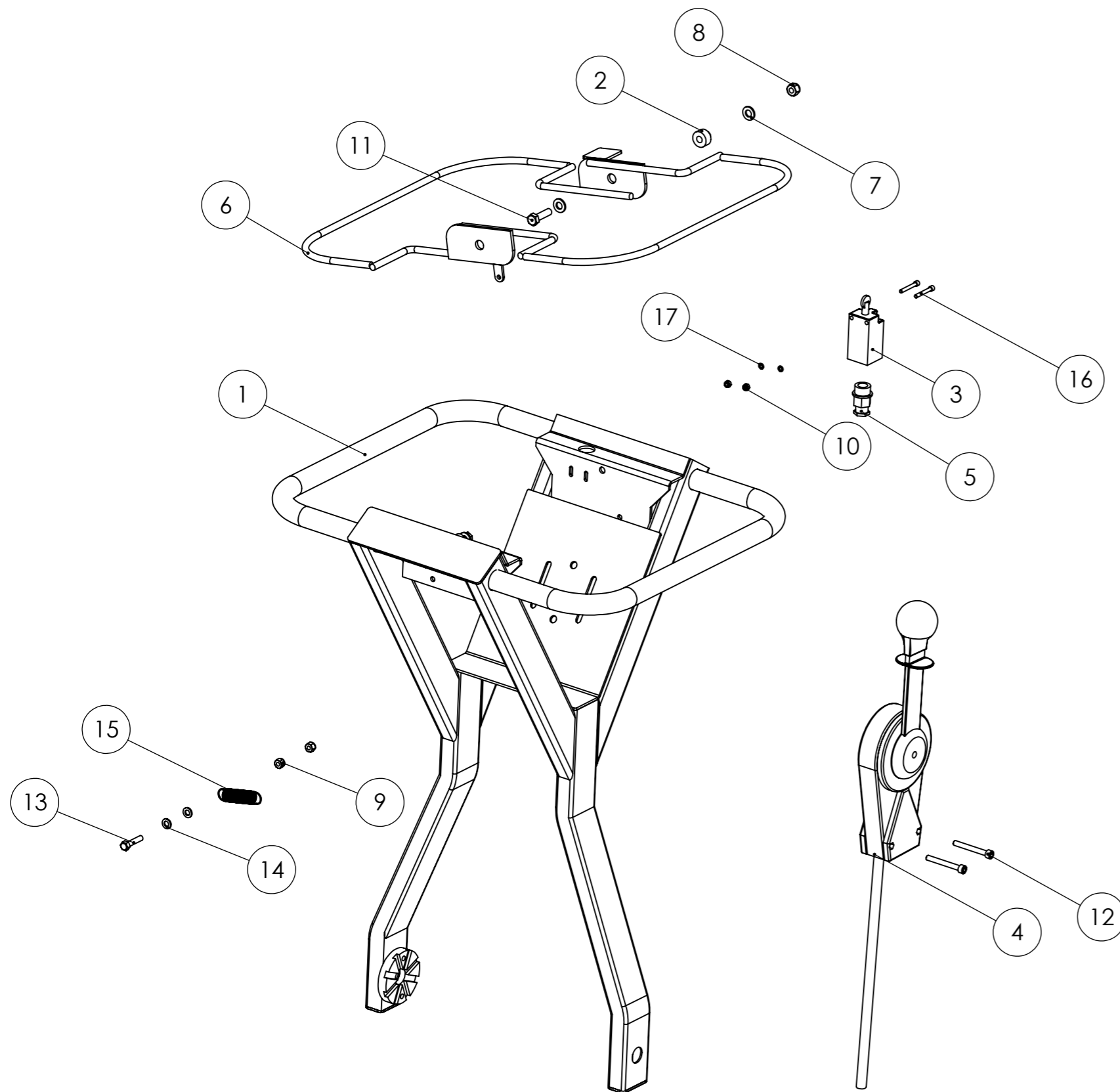
Bottom Handlebars

VALID FROM

MAY 2019

REVISION

A



ITEM NO.	PART NUMBER	DESCRIPTION	QTY.
1	80002	Top Handlebars	1
2	80023	OPC Spacer	2
3	80019	Switch	1
4	80015	Brake Lever	1
5	80014	Switch Gland	1
6	80013	OPC Lever	1
7	31411105	Washer	3
8	31241080	Nyloc	1
9	31241080	Nut	2
10	31241080	M4 Nyloc	2
11	31112152	Hex Bolt	2
12	12074	Bolt	2
13	31112152	Hex Bolt	1
14	31411064	Washer	2
15	58049786	Tension Spring	1
16	80004	Capscrew	2
17	80054	Washer	2
18	80046	Plastic End Cap	2

Tracmaster Ltd

Tel: +44 (0) 144 247689

www.tracmaster.co.uk

Parts Diagram

**SG30 Stump Grinder**

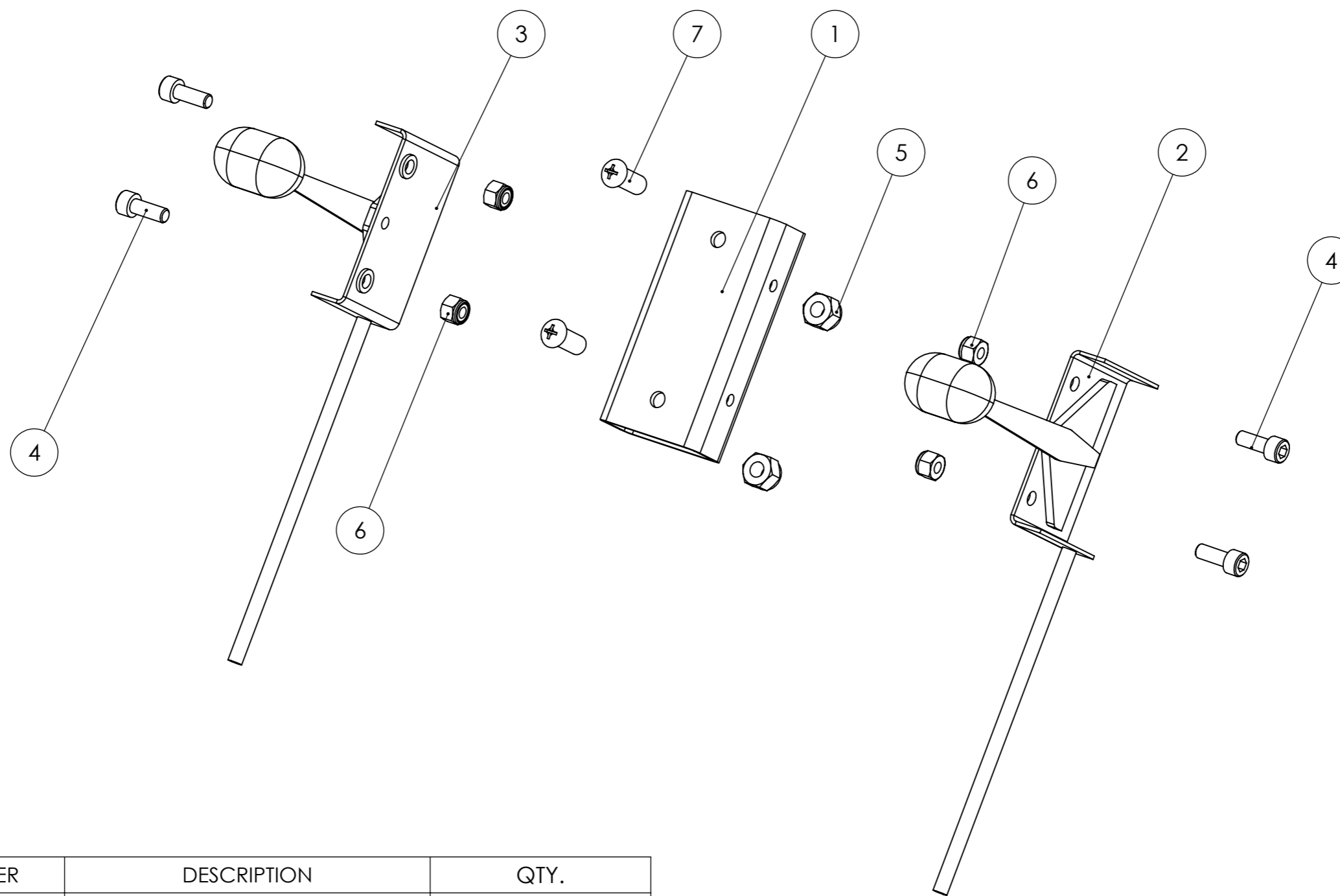
Top Handlebars

VALID FROM

MAY 2019

REVISION

A



ITEM NO.	PART NUMBER	DESCRIPTION	QTY.
1	80024	Lever Mount Tube	1
2	80041	Throttle Lever & Cable	1
3	80042	Choke Lever & Cable	1
4	31152057	Cap screw	4
5	31241080	Nyloc	2
6	31241080	Nut	4
7	60039MW	Bolt	2

**Tracmaster Ltd**

Tel: +44 (0) 144 247689

www.tracmaster.co.uk

Parts Diagram

**SG30 Stump Grinder**

Levers

VALID FROM

MAY 2019

REVISION

A



80045 SG30 Sticker



90998 - Do Not Operate With Guard Removed



CAMON UK



80057 - Brake Ring



80050 Keep Teeth Sharp Sticker



80048 Keep Hands & Feet Away Square



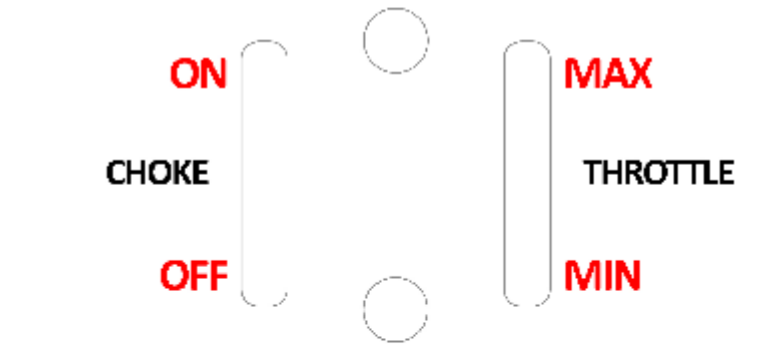
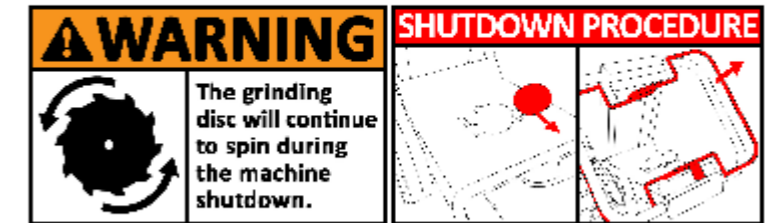
80056 - Brake Lever



120DB - LWA 120dB



80044 Warning Blade Sticker



80047 Keep Hands & Feet Away Rectangle



810939 - Tracmaster Sticker



80047 Keep Hands & Feet Away Rectangle



80043 Mandatory PPE Sticker



80049 Recoil Sticker



80045 Instructions Sticker

Tracmaster Ltd

Tel: +44 (0) 144 247689

www.tracmaster.co.uk

Parts Diagram

**SG30 Stump Grinder**

Stickers

VALID FROM

MAY 2019

REVISION

A