



# SC45E Circular Saw



## Operating Instructions

Before commissioning the machine, read operating instructions and observe warning and safety instructions.

# CE

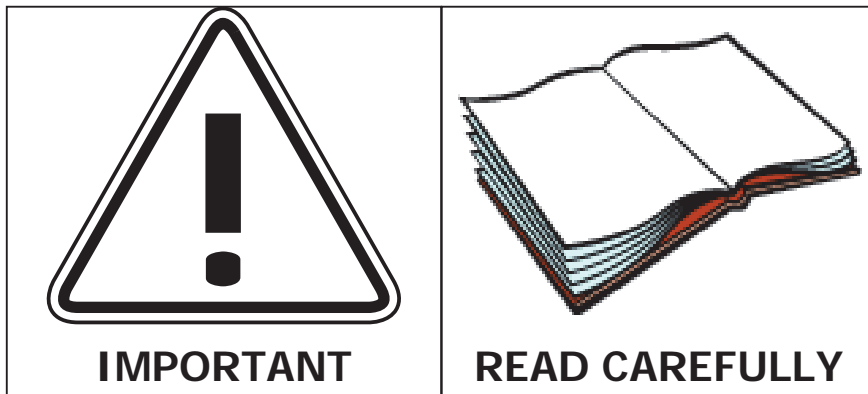


# TRACMASTER

Landscape • Groundcare • Conservation

# Contents

Page 3	Description of Machine
Pages 4-8	Illustrations
Pages 10-11	Assembly Instructions
Page 12	Introduction
Page 13	Explanation of Symbols Used
Pages 14-15	Technical Data
Pages 16-19	Safety
Pages 20-22	Operating the Machine
Pages 23-24	Use
Pages 25-26	Routine Maintenance
Page 27	Troubleshooting
Page 28	Storing & Transporting the Machine
Page 29	Scrapping & Disposal of the Machine
Pages 30-33	Spare Parts Diagrams
Page 34	Wiring Diagram

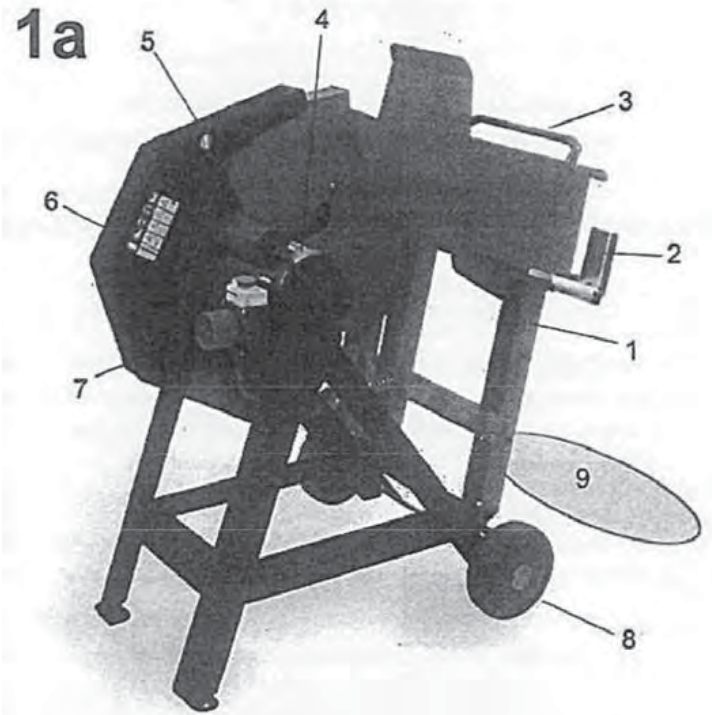


**No liability will be accepted for any damage caused to persons or property through failure to observe the operating and safety instructions.**

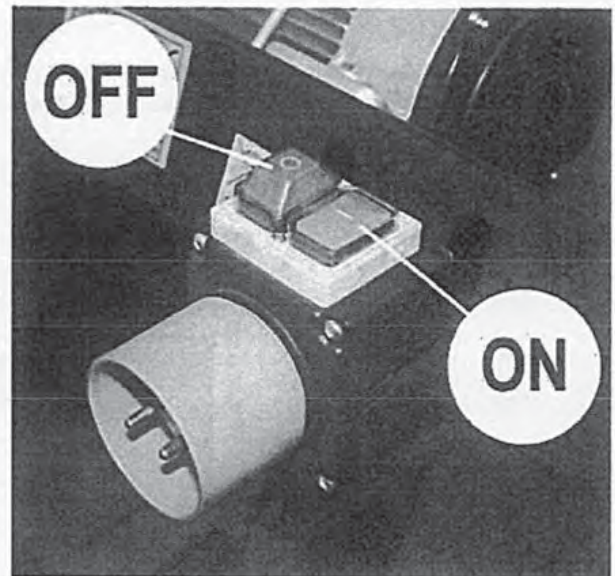
## Description of the Machine

The CAMON SC45E is a circular sawing machine with pivoting log carriage which is equipped with its own electric motor. The various parts of the machine are shown in fig. 1a below.

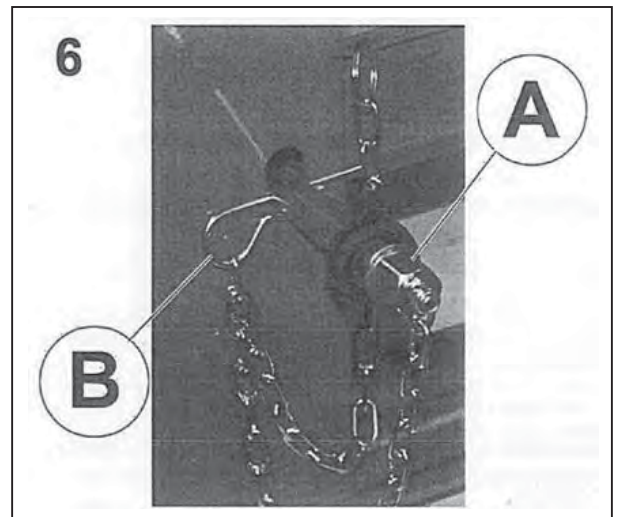
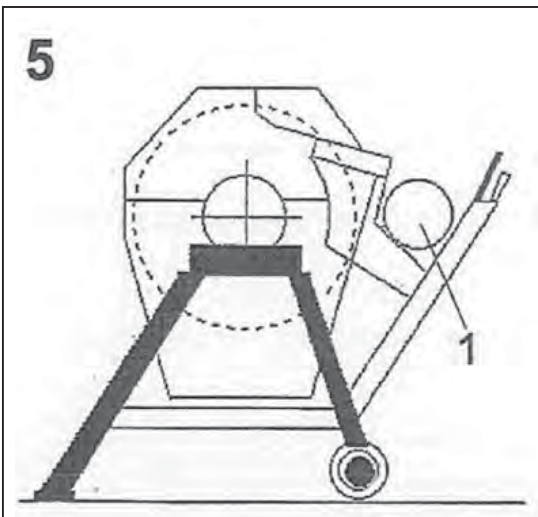
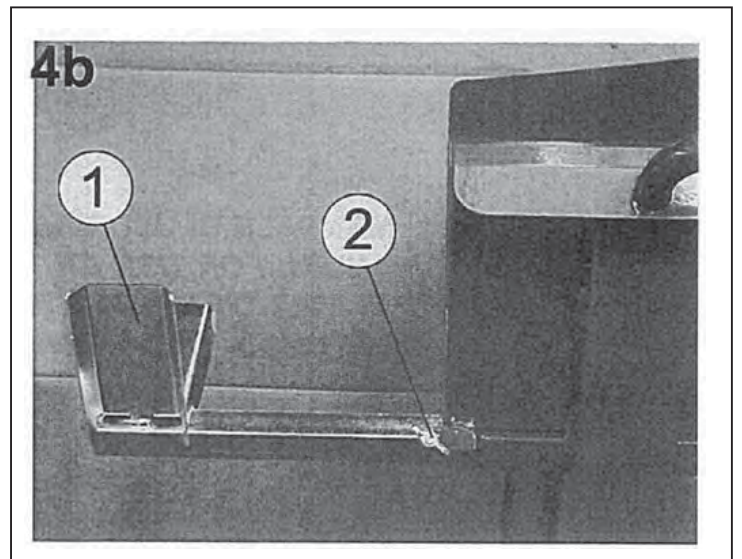
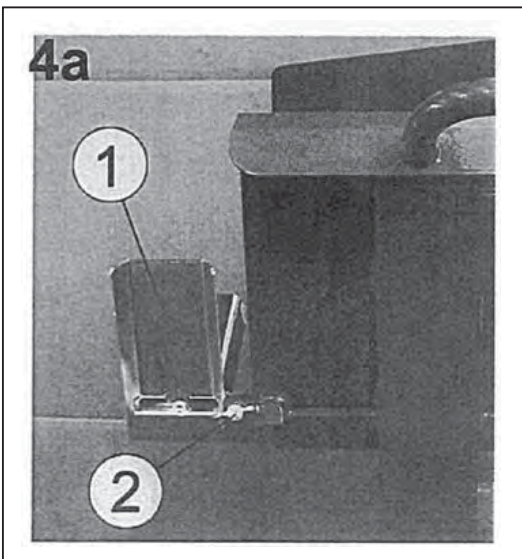
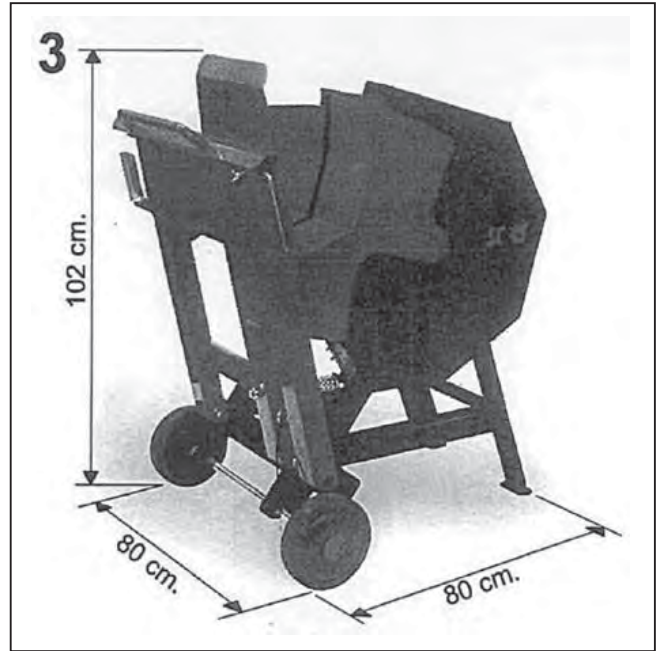
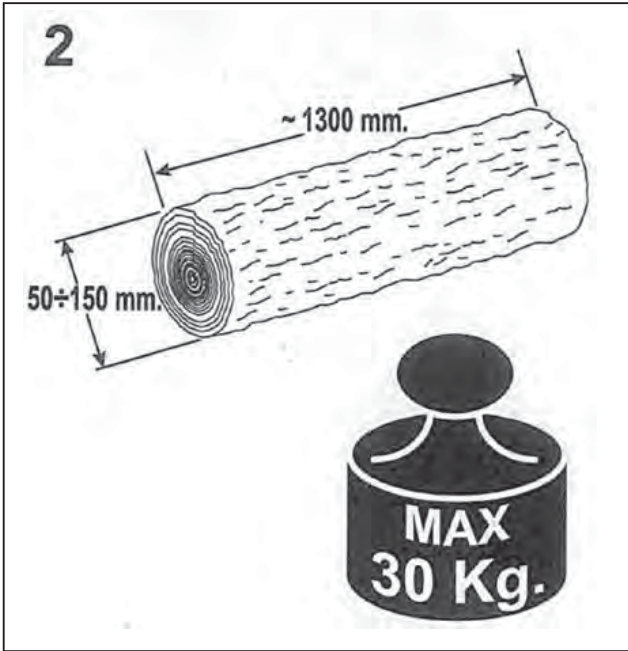
- 1 - Pivoting carriage for feeding logs
- 2 - Log support (extractable)
- 3 - Handle
- 4 - Electric motor
- 5 - Fixed safety blade cover
- 6 - Main switch on/off
- 7 - Mains plug
- 8 - Wheels
- 9 - Operator's work area



1b

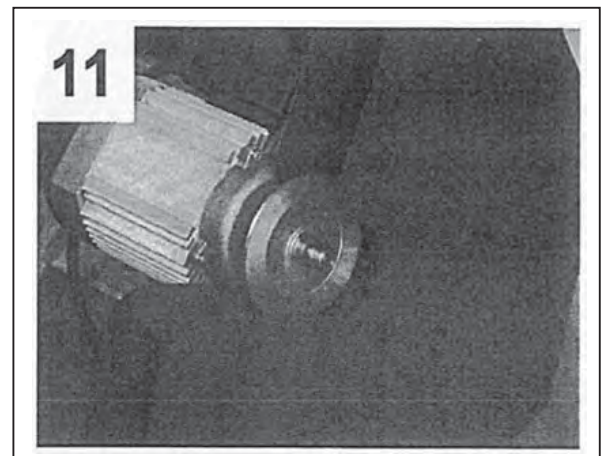
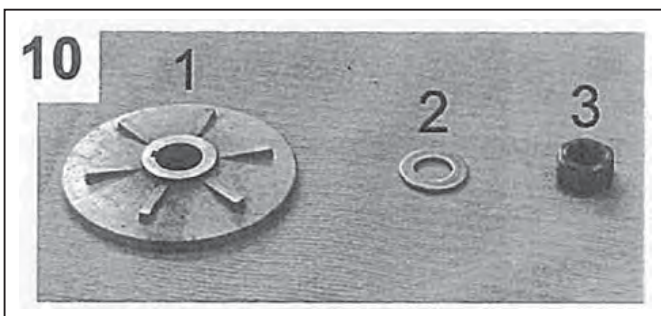
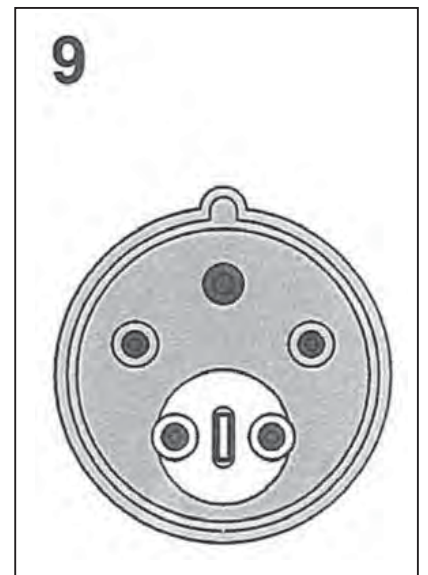
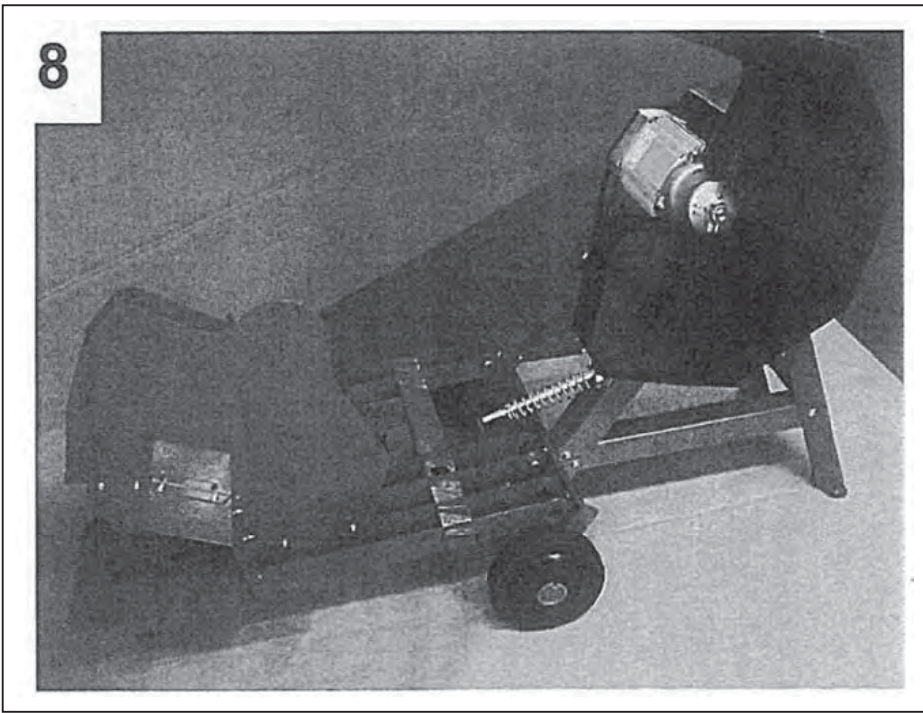
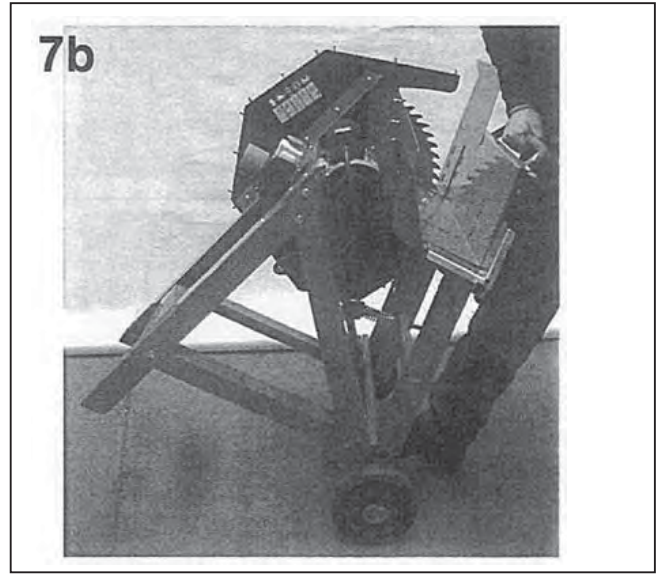
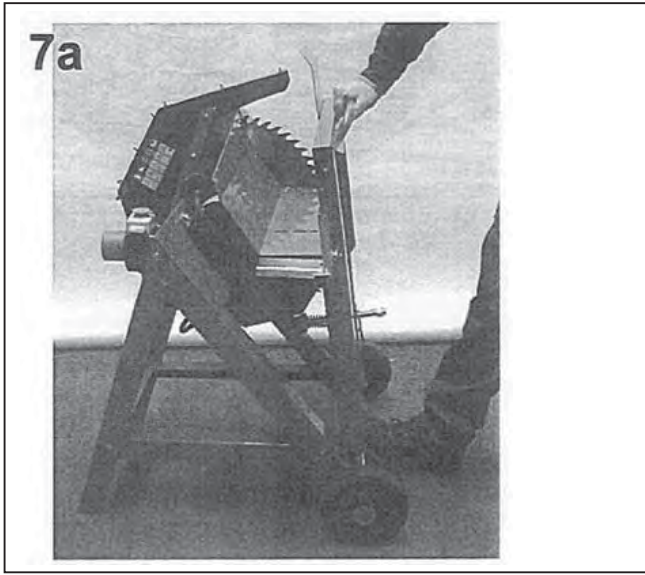


# Illustrations



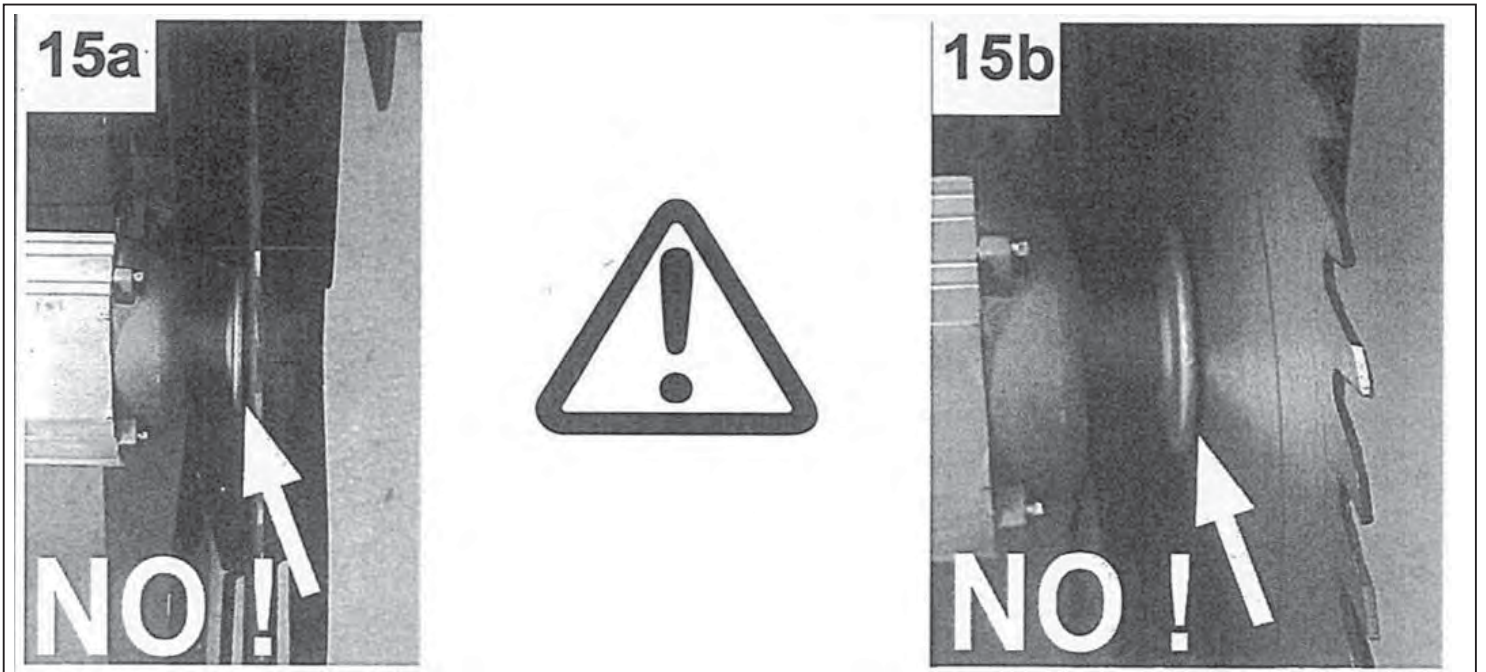
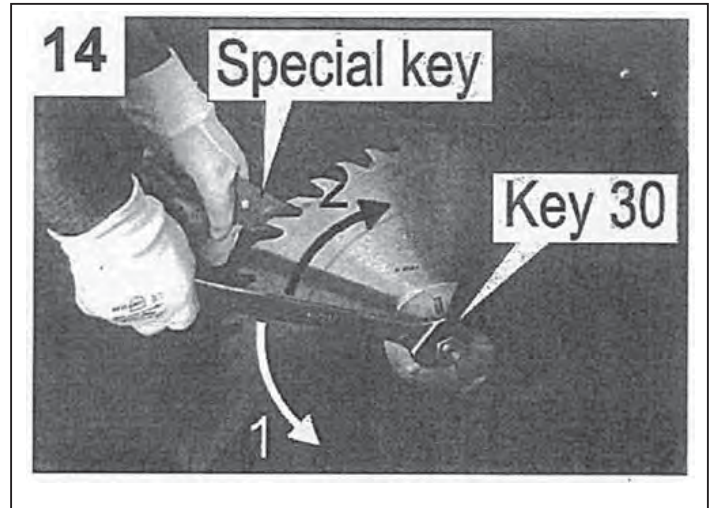
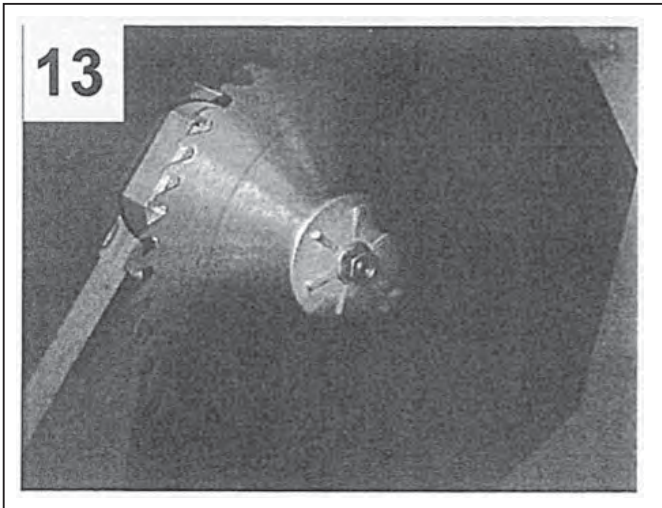
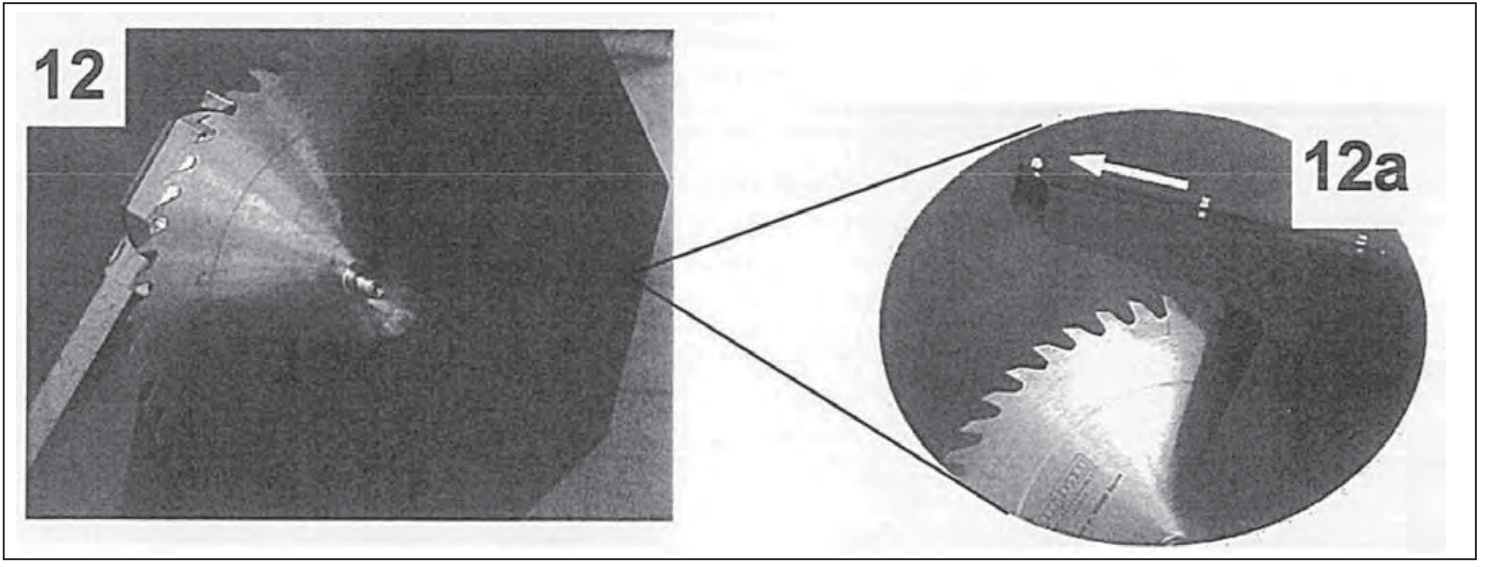


# Illustrations



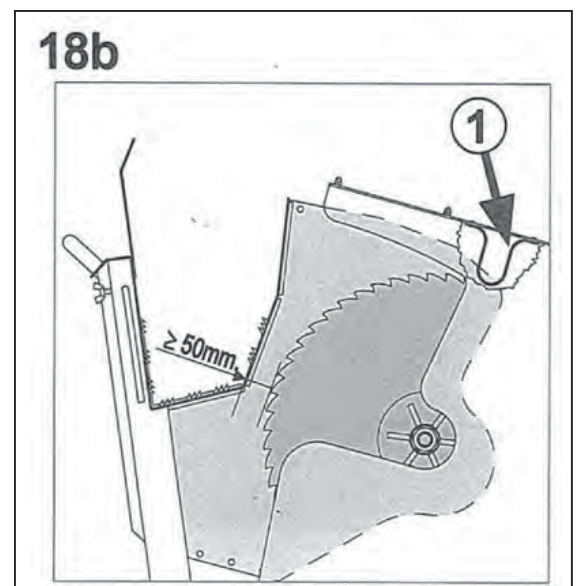
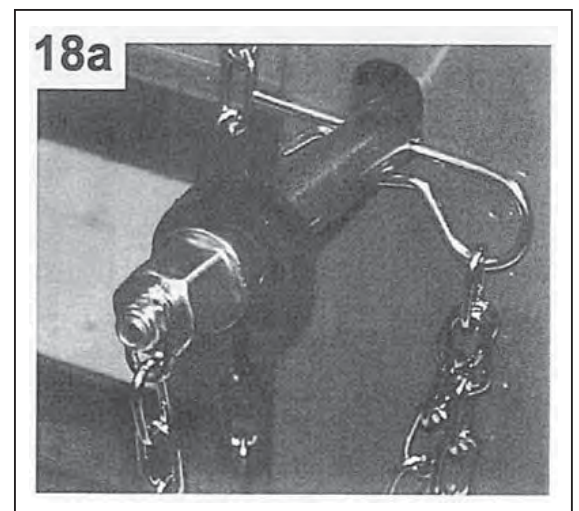
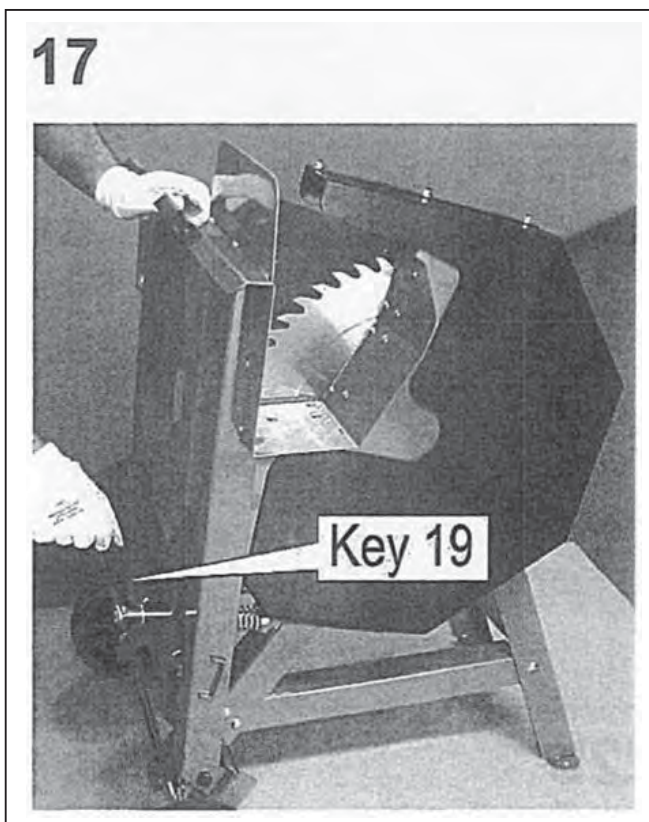
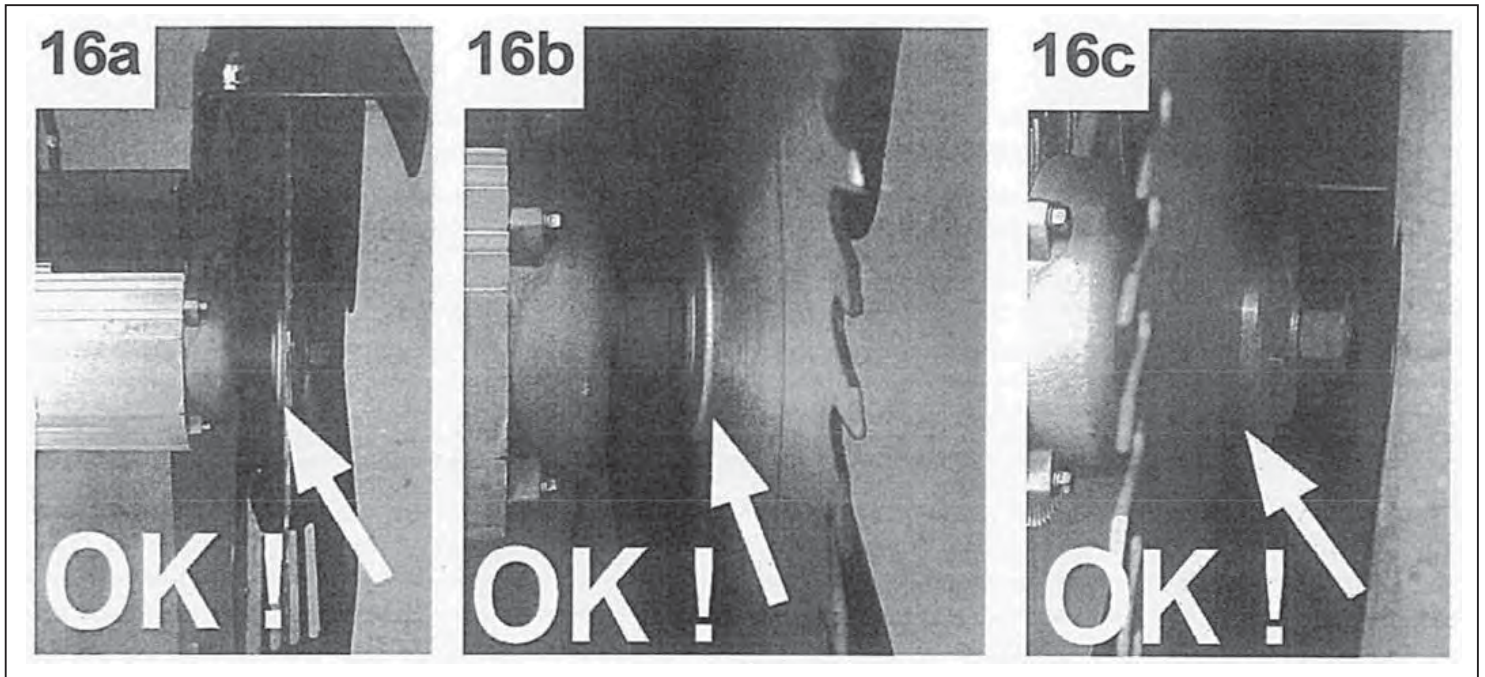


# Illustrations



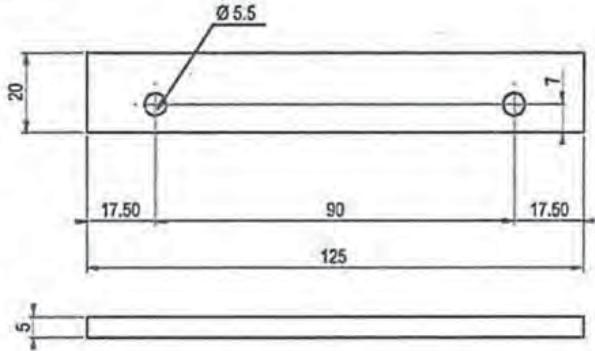


# Illustrations

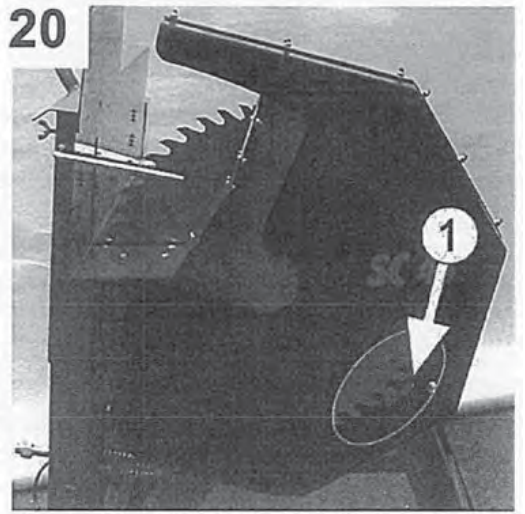


# Illustrations

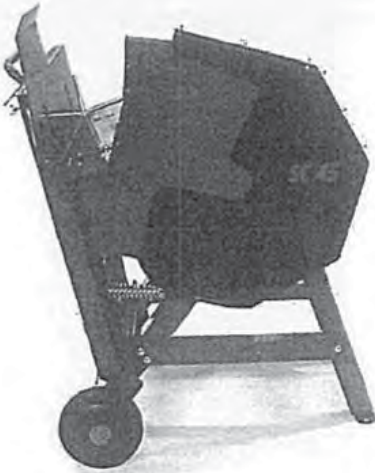
19



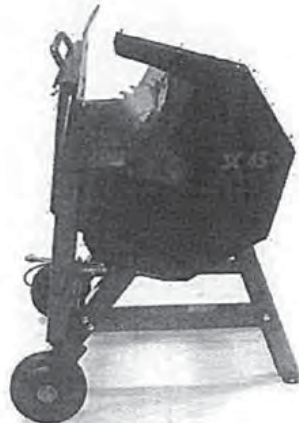
20



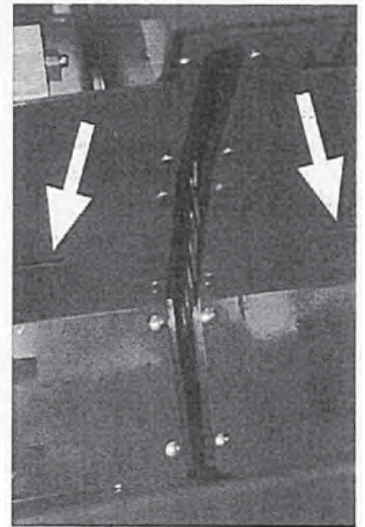
21a



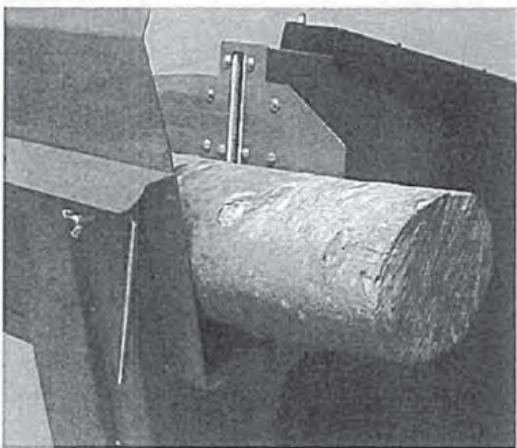
21b



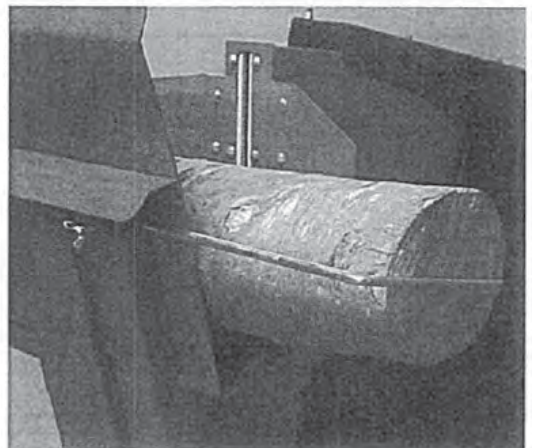
21c



22a



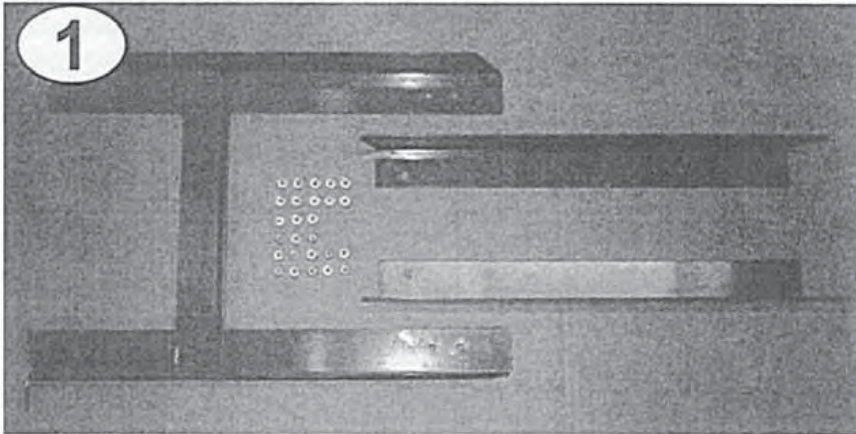
22b

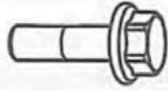




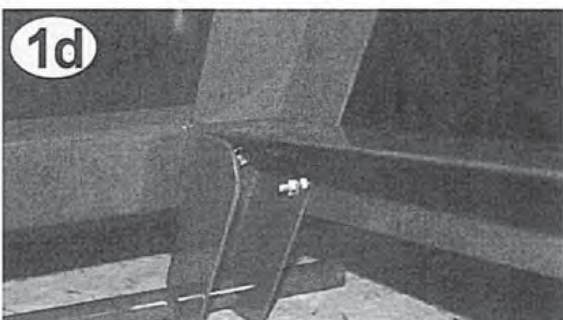
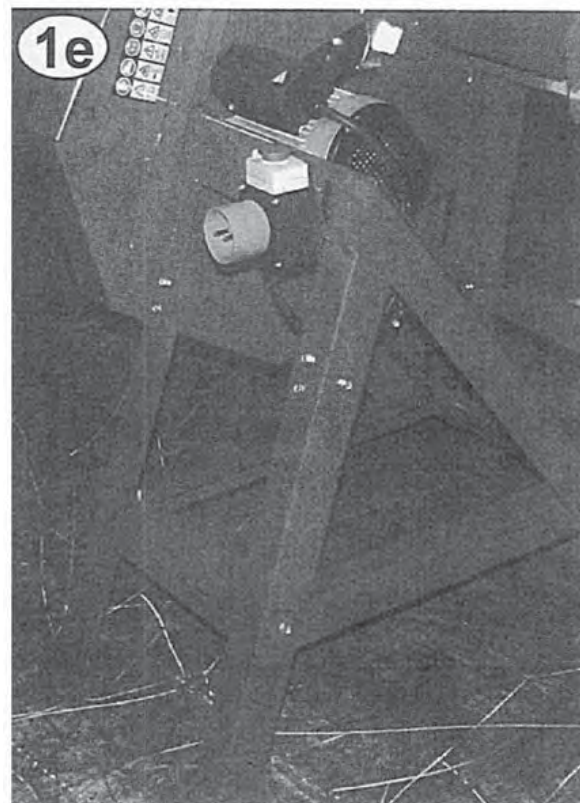
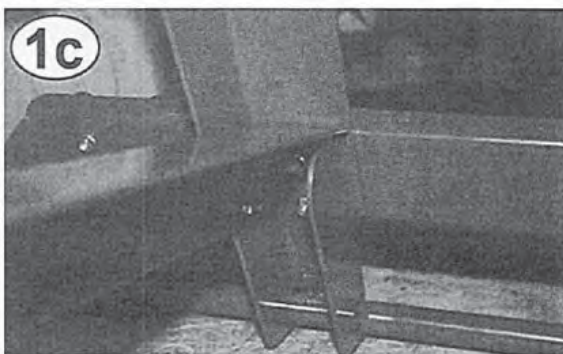
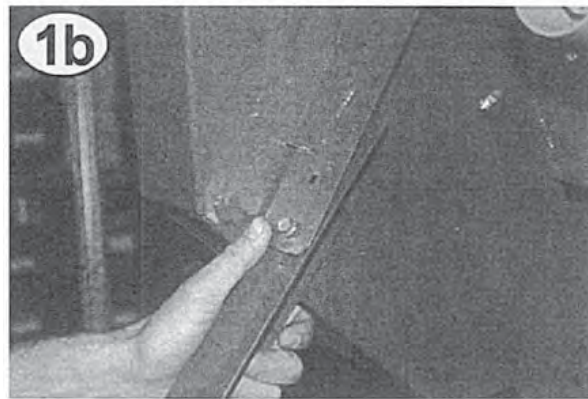
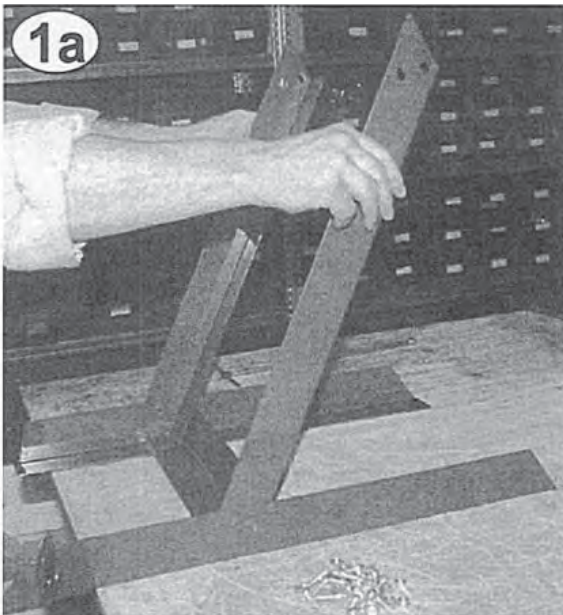


# Assembly Instructions



n°13  M 6x20

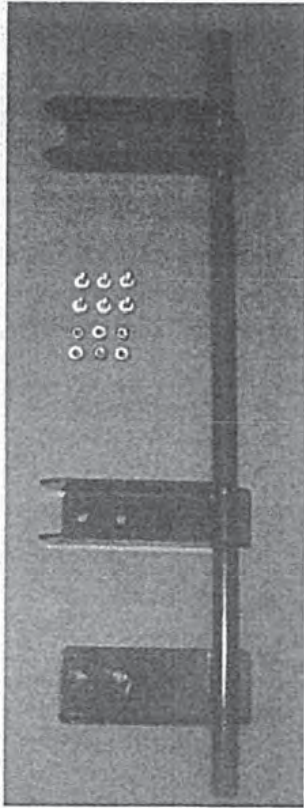
n°13  M6





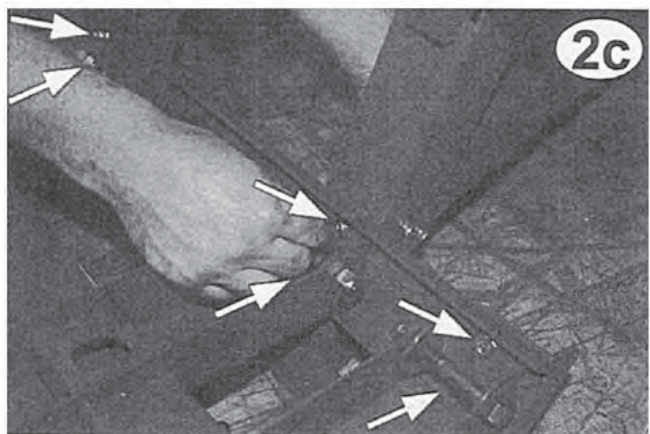
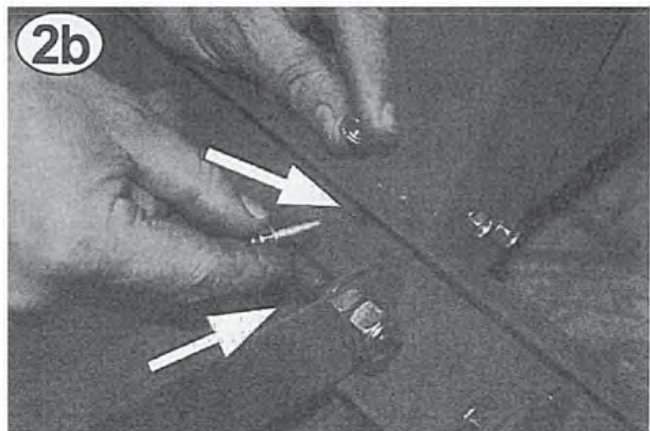
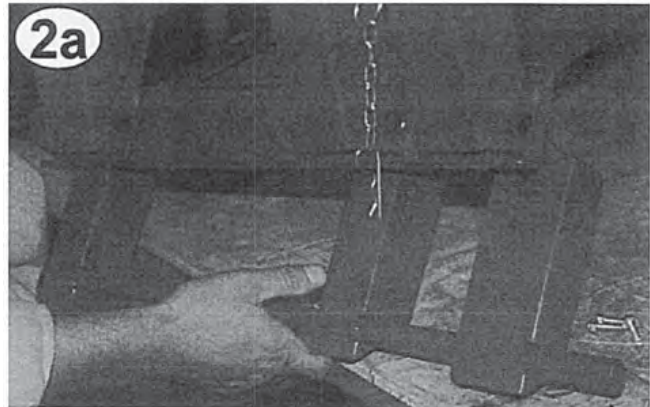
# Assembly Instructions

2

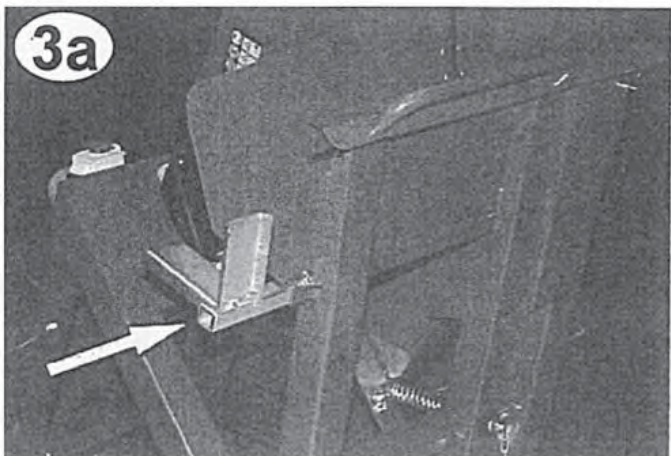


n°6  M 6x20

n°6  M6



3



## Introduction

Before using the Circular Saw please read this manual carefully. Following all the instructions provided will ensure that you get excellent results and the best performance from your machine.

The SC45E circular saw has been designed and manufactured in compliance with the most recent European safety regulations with particular reference to the EN 1870-6:2002(E) and EN 292-1 standards.

**This machine is produced in conformity with the specifications contained in the RoHS directive 2002/95/CE.**

**Before transporting, installing or operating the machine, read all parts of this manual, paying particular attention to the specific safety regulations.**

The movement of the tilting carriage feeds the logs into the machine, meaning that the operator can only work the machine from the permitted areas.

Operators who are unable to understand any of the languages in which this manual is written are responsible for asking the retailer to provide a manual in their own language.

The operator must also train any other person authorised to use the machine.

**Failure to comply in any way with these instructions, improper use of the machine, extraordinary maintenance operations not carried out by skilled, authorised personnel, removal of data plates or markings of any type, removal or tampering with the guards and safety mechanisms of the machine or any other action not expressly authorised that may impair the active and passive safety systems of the machine shall relieve the manufacturer of all and any liability and may result in serious injury and damage.**

If the machine is tampered with in any way by unauthorised personnel, the guarantee is automatically null and void. This manual is an integral part of the machine and must accompany it even in the case of transfer of ownership.



**WARNING:** The ignition system of your machine produces an electromagnetic field of very low intensity. This field could interfere with certain pacemakers. To reduce the risk of serious or fatal injury, persons with pacemakers should consult their doctor or the manufacturer of the pacemaker before using this machine.



## Explanation of Symbols Used

Standard graphic symbols are used on all machines in order to ensure complete safety of all parts of the Log Splitter. As these symbols are very important, read the information below carefully.



It is necessary to read carefully the entire use and maintenance manual of the machine, before using it.



It is obligatory to wear safety footwear at all times to provide protection against the risk of logs accidentally falling on feet.



It is obligatory at all times to wear gloves which protect the hands against chips and splinters which may be produced during work.



It is obligatory at all times to wear goggles which protects the eyes against chips and splinters which may be produced during work.



In normal conditions of use the saw may expose the operator to daily noise levels lower than or equal to 85 dB(A). It is therefore obligatory to wear ear defenders.



Warning: moving parts. Risk of serious injury.



Warning: Before carrying out any maintenance operation described in this manual, disconnect the plug of the machine.



It is forbidden to stand in the range of action of the machine, apart from the operator, no other person or animal may be present within a radius of 5 metres from the machine. The log splitter must be used by one person alone.



The machine must be used by one person alone.



Danger of cutting of the hand: never touch hazardous areas while the blade is moving.



Warning: voltage as indicated on the rating plate.



Direction of rotation of the motor. If the motor runs in the wrong direction, follow the instructions given in chapter 4.3.



Machines fitted with electrical parts must not be disposed of as general waste but must be separated for disposal and deposited at authorised collection points.



It is forbidden to put hands in the area around the rotating blade.



It is forbidden to carry out any maintenance work or to renew parts on the machine when it is running.



It is forbidden to remove or tamper with the protection devices and safety devices.



Hitch point.

## Technical Data

Length	~ 800mm
Width	~ 800mm
Height	~ 1020mm
Weight	~ 59kg
No-load speed (rpm)	~ 2800
Supply	230V 50Hz 1-phase
Power	2.1KW
Noise (average)	<= 85 dB(A)
Vibration	<= 2.5 m/s <sup>2</sup>
Cutting capacity (max diameter)	150mm

### Suitable blades in compliance with EN 847-1 standard

External diameter	400 □ 450mm
Bore diameter	30mm
Thickness	<= 3mm
No of teeth	30 □ 70mm



**BLADES WITH A DIAMETER OF MORE THAN 450mm MUST NOT BE USED. THE USE OF BLADES WITH A LARGER DIAMETER IS PREVENTED MECHANICALLY THROUGH THE SPECIAL TAB SHOWN IN FIG 20, PAGE 8.**

### Noise emission

	NO LOAD	UNDER STRESS
Sound power level	L <sub>wa</sub> =98,6 dB	L <sub>wa</sub> =108,4 dB
Associated uncertainty	K=2,0 dB	K=2,0 dB
Measurement in accordance with	UNI EN ISO 3744:2009	
Sound pressure level	L <sub>pa</sub> =83,7 dB	L <sub>pa</sub> =92,2 dB
Associated uncertainty	K=4,0 dB	K=4,0 dB
Measurement in accordance with	UNI EN ISO 11202:2010	



## Technical Data



### WARNING

The values given are the machine emission values, not the workplace safety values. Although there is a relationship between the noise levels and the daily exposure level, it cannot be stated with any certainty whether or not additional precautions are required. Factors which may effect the daily exposure level at the workplace include the duration of the activity, the characteristics of the workplace itself, other sources of noise, etc., for example the number of machines and other activities taking place in the vicinity. **The Values admitted at the workplace may also vary from country to country. The above obliges the user to carry out a better risk and hazard evaluation. (ref. Regulation EN 1870-6:2002)**

### Size of the log to be sawn

Figure 2 on page 4 shows the maximum diameter, the minimum diameter and the length of the logs to be sawn.

Do not attempt to cut logs with a diameter of less than the minimum shown in fig. 2 on page 2; logs that are too thin may get stuck in the teeth of the blade, with possible risks to people and damage to the machine itself.

Do not attempt to load logs that are longer than the measurements shown: this could jeopardize the machine's stability.



### WARNING

**Use adapted lifting equipment in order to load logs heavier than the level established by the current regulations in order to protect the health and safety of the operator.**

## Safety



**IMPORTANT**

**The information given in this chapter is extremely important for safety purposes. It describes possible hazards tied to use of the machine and instructions for correct use of this to avoid injury or damage.**

**WARNING:** The CAMON SC45E Circular Saw has been designed and built for the sole purpose of sawing logs with a diameter within the limits shown on page 4, fig. 2 only.

**Use of the machine for any other purpose shall be considered improper and the manufacturer shall not be liable for any injuries or damage to be ascribed to improper use of the machine.**

**This machine must not be used for cutting iron and/or plastic and has not been designed for industrial use.**

The operator must wear the safety clothing as indicated on page 13, only work in the permitted position (page 3, fig. 2, no. 9) and use the special handle (no. 3) to move the pivoting carriage (no. 1).

When the machine is being used, persons other than the operator and animals must be kept at a distance of at least 5 metres from the machine.

**WARNING:** When in standby (fig. 21a, page 8) the blade is completely protected by a fixed cover as well as a mobile cover (integral part of the tilting carriage) that automatically opens as the tilting carriage pushes the log (fig. 21b, page 8)



**NEVER ATTEMPT TO TAMPER WITH THE PROTECTIONS OF THE CIRCULAR SAW OR TO OPERATE THE MACHINE WITHOUT THESE. FAILURE TO COMPLY WITH THE INSTRUCTIONS GIVEN IN THIS CHAPTER MAY RESULT IN SERIOUS INJURY OR DAMAGE TO PERSONS, THINGS AND TO THE MACHINE.**

# Safety

## General safety regulations

The machine must always be used by one operator only.

The circular sawing machine must only be used outdoors (emission of dust).

**ATTENTION: In order to avoid that the sawdust flow, generated from the blade in movement, could come outside in the direction of the operator, a rubber barrier was applied on the protection carter (1 in fig. 18b, page 7). Periodically verify its integrity and replace if damaged.**

Protect the machine from atmospheric agents.

Nobody must be allowed to use the circular sawing machine unless they have read the instruction manual and have been instructed in the regulations to follow for correct and safe use.

Use of the circular sawing machine by apprentices of not less than 16 years of age must be supervised by an adult authorised to use the machine.

Never wear loose, unbuttoned clothing which may become trapped in moving parts.

Do not move the machine while the motor is running.

Do not work on sloping or slippery ground. Position the machine in a flat area free from objects which may impede the freedom of movement of the operator.

Check that the logs to be sawn have no nails, screws or wires that could represent a hazard to persons if they were to fly off during sawing.

Branches must be cut off flush with the trunk.

Never try to cut logs larger than those indicated in fig. 2, page 4. This could be dangerous and may damage the machine.

Never attempt to cut two logs at once; one may fly up and hit you.

The log placed on the carriage must not roll over when it comes into contact with the blade. Should this happen, open the carriage and reposition the log.



## Safety

Do not load the log if the carriage is not completely open (stand-by - fig.21a, page 8): it could seriously injure you.

When the machine is moving, do not try to remove with your hands any pieces of wood that may be stuck in the slot of the blade. In this case, **proceed only after switching off the machine and disconnecting it from the power supply.**

Never leave the machine unattended while it is running. If you leave the machine, even for a short time, remove the power supply or any possible cause of accidental start-up.

The circular sawing machine must never be used by an operator who is under the influence of alcohol, drugs, medicines, or who is tired. A clear mind is essential for safety.

Never try to release a jammed log while the machine is running. The machine must be switched off during this operation.

Never request the assistance of another person to help you remove a jammed log.

Do not use machines with electric motor if natural gas, petrol fumes or other inflammable vapours are present.

**Check that the electric circuit to which the machine will be connected is suitable.** Power, voltage and frequency of the motor must be checked (verify the nameplate on the motor and the data in this manual). The machine must be connected to a circuit with a regulation differential switch upstream and, in compliance with the norms (30 mA rated fault current), with a ground connection.

Use cables with a section of 2.5mm<sup>2</sup>. Avoid use of free and inadequately insulated connections. Connections must be made with protected material suitable for outdoor use.

**Do not use cable extensions longer than 5m: too long cables or cables with inadequate section may cause voltage drops and don't allow the motor to develop all the power.**

Always check the cable extension for any damage before using it.

Make sure that the machine and the cable never come in contact with water.

Treat the power cable with care. Do not attempt to move the machine by pulling the cable. Do not yank the cable to unplug it; keep the cable away from excessive heat, oil and sharp objects.

## Safety

Never leave the machine unattended with the power supply "on". After use, always switch the machine off and disconnect it from the power supply, especially when any maintenance work is required.

The information given in the chapter is extremely important for safety purposes. It describes possible hazards tied to use of the machine and instructions for correct use of this to avoid Injury or damage.

Clean the machine from sawdust produced during working each time you put it away and especially when it will not be used for a long period time.

Do not use alcohol, petrol or solvents to clean the machine. This may cause irreparable damage to the legibility of the safety information on the machine.

Do not use jets of water to clean the machine.

When not used the machine should be stored protected from atmospheric agents.

## Operating the Machine

### Unpacking and preparation of the circular sawing machine

**FOLLOW THE INSTRUCTIONS ON PAGES 10 AND 11 CAREFULLY WHEN ASSEMBLING THE CIRCULAR SAWING MACHINE.**

### Assembly of the blade

**WARNING: ALWAYS WEAR PROTECTIVE GLOVES DURING THESE OPERATIONS AND UNPLUG THE MACHINE FROM THE POWER SYSTEM.**

Unscrew and remove the nut and the washer (fig. 18a, page 7).

Open the machine by lowering the tilting carriage as shown in fig. 8 on page 5.

Check which way the motor rotates by following the instructions on page 21.

**WARNING: IT IS STRICTLY FORBIDDEN TO REMOVE THE NUT (A in fig. 6, page 4) FROM ITS SECURITY CHAIN**

Remove the flange, washer and nut (1, 2 and 3 in fig. 10, page 5).

Assemble the blade (fig. 12, page 6).



**WARNING: CHECK THAT THE BLADE IS CORRECTLY POSITIONED WITH THE TEETH FACING IN THE RIGHT DIRECTION (FIG. 12a, PAGE 6) AND THAT IT IS CORRECTLY FIXED TO THE REAR FLANGE.**

REFER TO FIGS. 15a AND 15b (INCORRECT POSITION) AND FIGS. 16a, 16b AND 16c (CORRECT POSITION).

Reassemble the flange, washer and nut (fig. 13, page 6).

Using the special key supplied, hold the flange still and tighten the nut with a suitable key (Key 30) (fig. 14, page 6). To tighten the nut, turn the spanner in the direction indicated by arrow no 2.

Close the tilting carriage, insert the washer and the nut on the pin (fig. 18a, page 7), tighten the nut firmly using a suitable key.

With the log pusher in stand-by (fig. 21a, page 8), verify there is a minimum distance of 50mm between the blade and the log support (fig. 18b, page 7).



## Operating the Machine

Start up the carriage and check that there is no contact between the carriage and the blade.

### Check the motor's rotation direction

After connecting the machine to the power supply with a three-phase electric motor, check which direction the motor rotates. This must correspond to that shown by the arrow on the base of the motor itself. If the motor does not run in the correct direction, invert two of the phases in the socket.

Remove the plug from the machine. Insert a slotted screwdriver with a suitably sized wedge in the slot located in the connection inlet close to the electric motor as shown in fig. 9, page 5. Exerting slight pressure, turn the white disc by 180°. This operation physically inverts the poles on the three-phase motor.

Check that the motor runs in the correct direction as indicated by the arrow.

Never open the box containing the switch, or open the terminal block on the motor.

If it is necessary to do so, have these operations carried out by your electrician.

If the fuses blow or the protection valve trips, this means that you are overloading the motor or the electrical installation is not correctly rated. Consult your electrician.

### Checks to be carried out when operating the machine



**WARNING:** Never use the machine if it is not in perfect order or if it needs servicing. Before starting work, check the correct functioning of all the safety devices (switch-off / switch-on button).

### Checking blade run-down time

When the machine is switched off, the blade takes less than 10 seconds to run down.

The first time you operate the machine and each time before starting work, check that blade run-down time is less than 10 seconds.

**WARNING:** Should run-down time be longer than 10 seconds, contact your retailer.

### Checking general conditions of the machine

Before starting work, check the blade rotation direction and the run-down time.

## Operating the Machine

A well-sharpened blade increases performance and decreases risks of kickback.

Damaged and deformed blades must not be used. To replace the blade, proceed as described on page 26.

If the pads around the slot of the blade show signs of wear and tear, they must be replaced with new ones of the right size.

Follow the instructions given in fig. 19, page 8 for the size of the pads.

If the anti-sawdust protection (fig. 18b, page 7) is damaged, it must be replaced with a new one with the same characteristics (contact your dealer)

**WARNING: ALWAYS DISCONNECT THE MACHINE FROM THE POWER SUPPLY WHEN CARRYING OUT REPAIRS AND MAINTENANCE.**

### Lighting

Lighting must be provided in the entire work area of the log splitter to ensure perfect visibility when operating the machine and during maintenance and adjustments.

Even when working outdoors, there must be sufficient light to work safely (200 lux).

Working at times when insufficient light may result in poor visibility of the machine and its components (dawn, dusk, night) is forbidden.

## Use



**WARNING: Protect the machine from atmospheric agents**

### Using the circular sawing machine

Only use the circular sawing machine outdoors (emission of dust).

FIX THE MACHINE TO THE GROUND BY USING THE APPROPRIATE HOLES AVAILABLE ON THE FEET.

Make sure that the switch/cutout of the general power system and the switch of the machine are OFF.

Connect the circular sawing machine to the power supply by inserting the appropriate plug into the socket located on the switch unit.

The sawing machine is fitted with an automatic cut-off switch which will trip if there is a drop in power or a sudden power failure.

The switch will not work if it is disconnected from mains and it must be reset each time it has tripped for one of the above reasons.

The motor is fitted with a protection device that automatically switches on if a temperature is reached that could be damaging.

In this case, you must wait for the motor to cool down before starting it up again (approximately 20').

Every time you turn off the motor, it activates the brake that stops the blade in less than 10 seconds.

The brake activity causes an overheating of the motor that, if repeated several times in a short time, activates the protection device, preventing the start of the motor for a necessary time to its cooling (approximately 20').

Do not operate the "on" and "off" buttons of the motor repeatedly.

Take care not to put the power cable over the log support table, near the blade or anywhere it may be damaged or cut.



## Use

Turn the main switch (fig. 1b, page 3) to ON and then start the machine by pushing the green button or turning the switch to position "1".

The blade will start to rotate immediately, reaching working speed in a few seconds.

Extract the log support (no. 1 in figs. 4a and 4b, page 4), tighten the wing nut (no. 2 in figs. 4a and 4b, page 4) and position the log on the surface of the pivoting carriage, as shown in fig. 5, page 4.

For a complete safety during working, the log must be sufficiently blocked on the appropriated blocking slots (fig. 21c, page 8), in order to avoid that it rotate on itself when coming in contact with the blade.

To cut logs to the same length, use the special gauge (no. 2 in figs. 22a and 22b, page 8), securing it with the wing nut (no. 11 in figs. 22a and 22b, page 8).

Working only in the permitted position (no. 9 in fig. 1, page 3) and holding the handle (no. 3 in fig. 1, page 3), push the pivoting carriage forward until the log is cut.

Then move the carriage back to its neutral position, reposition the log and repeat the cutting procedure.

When you finish working or even if you leave the machine unattended, disconnect the machine by turning the switch/differential of the power system (fig. 1b, page 3) to "0" (off), then disconnect it from the supply mains by removing the plug from the socket on the machine.

When making this operation, never pull the cable. Grasp the body of the plug and pull it firmly.

Use the appropriate catch to block the pivoting carriage (B in fig. 6, page 4).

When not in use the machine should be stored protected from atmospheric agents.

### Moving the circular sawing machine



**WARNING:** Before moving the circular sawing machine, make sure that the pivoting carriage is closed and blocked by the appropriate catch (B in fig. 6, page 4) and that the machine is disconnected from the power supply.

To correctly move the machine, rest one foot on the wheel axle (fig. 7a, page 5) and hold the handle (no. 3 in fig. 1, page 3), then pull the machine towards you lifting up the rear support feet (fig. 7b, page 5).

## Routine Maintenance

This chapter describes routine maintenance, i.e. operations carried out by the operator, on the circular sawing machine SC45E to keep it in perfect working order and therefore reliable for continuous, long-term use.

All routine maintenance operations must be carried out with the machine off and with the power cable disconnected.

Any other maintenance operation not specifically envisaged In this manual must be carried out by authorised personnel only in that hazardous situations may arise for which the operator is not prepared.

In the case in which extraordinary maintenance or part replacement operations are not carried out by authorised personnel, the guarantee shall be immediately null and void and the manufacturer shall be relieved of any responsibility for injury to persons or animals or damage.

### Maintenance and checks

Switch off the machine, wait the stop of the blade and remove the plug from the power supply.

Periodically check the maximum blade run-down time: it must not exceed 10 seconds.

Periodically check that the motor switch correctly works.

Check the screws are tight, especially the nut that fix the blade.

Check the blade is in good condition: worn and/or strained blades must not be used.

To replace the blade, follow the instructions given in the section below, "How to change the saw blade".

Clean the machine from sawdust produced during working each time you put it away and especially when it will not be used for a long period time. Do not use alcohol, petrol or solvents to clean the machine. This may cause irreparable damage to the legibility of the safety information on the machine.

Regularly clean the blade with solutions that eliminate the residues of sawdust and resin.

Do not use jets of water to clean the machine.

## Routine Maintenance

### How to change the saw blade

Should the blade be replaced, proceed as follows:

Disconnect the plug from the power supply and wear protective gloves.

Unscrew the nut that holds the pivoting carriage in place (fig. 17, page 7), remove the washer and open the machine, placing the carriage on the floor (fig. 8, page 6).



**WARNING: IT IS STRICTLY FORBIDDEN TO REMOVE THE NUT (A in fig. 6, page 4) FROM ITS SECURITY CHAIN.**

During this operation it is very important to verify the conditions of the pads and the anti-sawdust protection.

Using the special key supplied, hold the flange and unscrew the nut with a suitable key (Key 30) (fig. 14, page 6).

Remove the nut and the flange.

To unscrew the nut, move the key in the direction of arrow no. 1.

Remove the worn blade and replace it with a new one of a suitable type (page x "Suitable blades in compliance with EN 847-1 standards").

**WARNING: CHECK THAT THE WORK AREA IS FREE FROM OBJECTS AND/OR PERSONS THAT MAY HINDER THE OPERATION: RISK OF SERIOUS INJURY.**

To assemble the blade, follow the instructions given on page 20.

If you leave the machine unattended, switch it off by turning the switch to "O" (off) or by pushing the red button.

# Troubleshooting

## Troubleshooting

Problems that may arise when using the Log Splitter and recommended remedies are given in the table on the following page.

In the case of operations carried out by unauthorised personnel, the guarantee will be immediately null and void and the manufacturer will be relieved of any responsibility for injury to persons and animals and damage.

<b>Problem</b>	<b>Probable Cause</b>	<b>Corrective Action</b>
The machine does not start when the switch is pushed	Cable and/or extension interrupted	Check that cables, connections and damps are working correctly. If the problem persists, contact an electrician.
	The power socket is not working correctly	Check that the power socket is connected to the power supply and that fuses are in perfect condition. If the problem persists, contact an electrician.
The blade does not stop rotating within 10 seconds		Contact your retailer.



## Storing & Transporting the Machine

### **CONDITIONS FOR STORING AND TRANSPORTING THE MACHINE**

Clean the machine from the sawdust and in particular the blade from sawdust and resin.

Do not use jets of water to clean the machine.

Block the pivoting carriage with the appropriate catch.

Store the machine protected from atmospheric agents.

## Scrapping & Disposal of the Machine

The machine must be scrapped in compliance with all safety regulations for the prevention of personal injury and damage to the environment and animals.

All parts of the machine must be scrapped and disposed of in accordance with applicable legislation in the place of scrapping.

Dispose of hydraulic fluid and electric parts correctly. Do not dispose of these in the environment, as they are hazardous pollutants, and treat them in accordance with applicable legislation.

Machines fitted with electrical parts must not be disposed of as general waste and must be separated for disposal as separately collected fractions, deposited at authorised collection points.

The manufacturer is committed to waste recycling (WEEE) and is a member of specialised waste disposal consortiums.

Incorrect waste disposal is punishable by law.

## Spare Parts



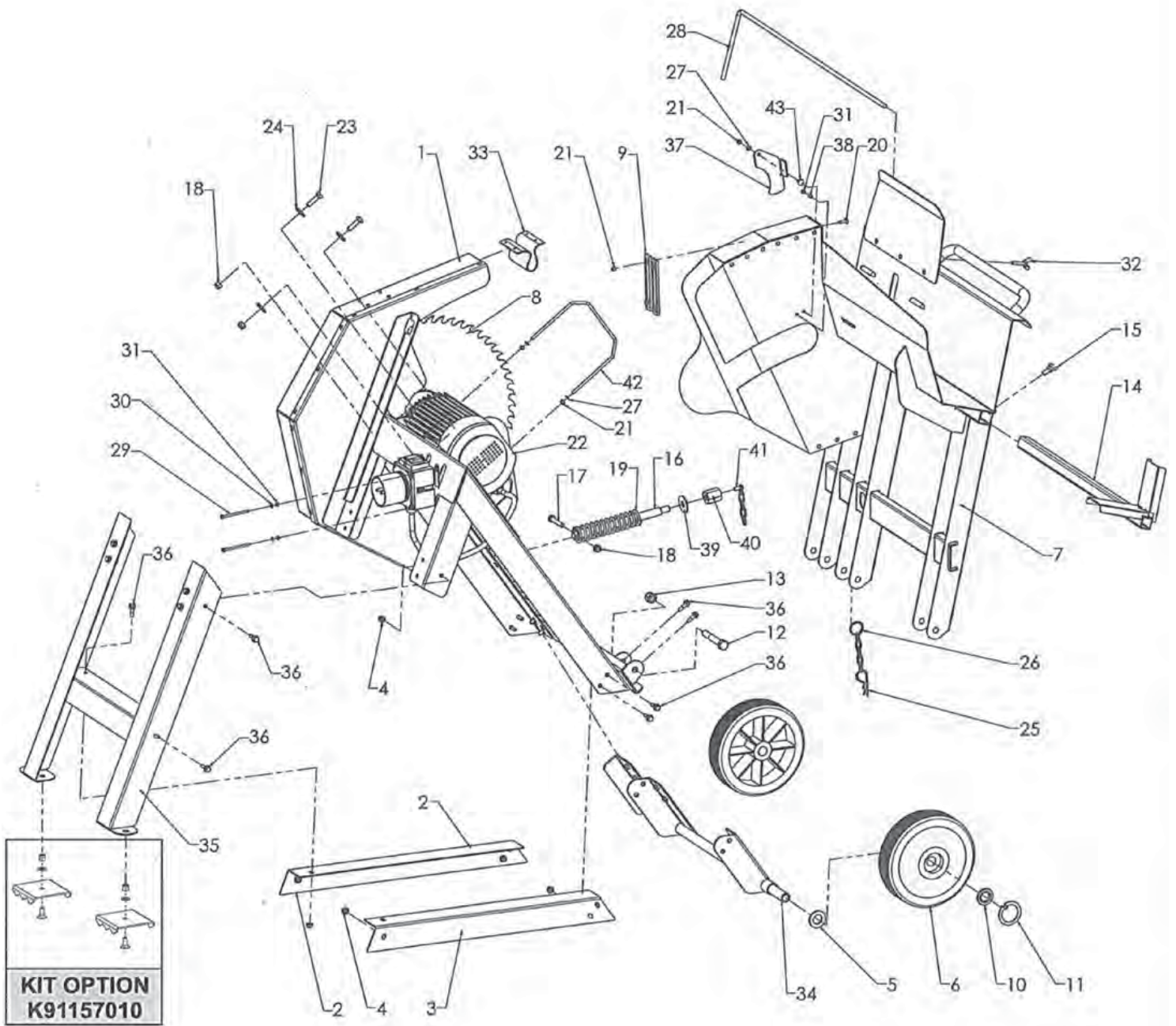
**IMPORTANT:** Replacement of spare parts and therefore extraordinary maintenance of the machine must be carried out by the retailer's specialised and authorised personnel only.

If any maintenance operations other than those expressly indicated in this handbook are carried out, the warranty will be immediately null and void and manufacturer shall be relieved of all and any responsibility with regard to accidents involving persons, animals or things.

Always order spare parts from your regular retailer remembering to indicate the machine model, the purchase date and the serial number.

# Spare Parts

## Overview Diagram





# Spare Parts

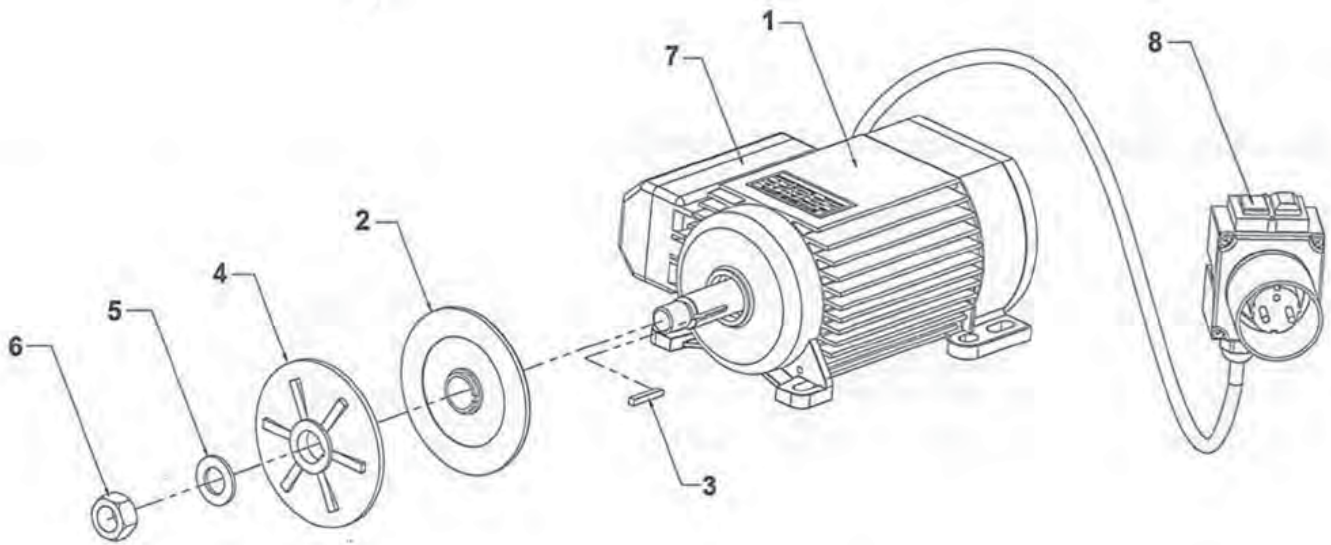
## Overview Diagram Part Numbers

Key	Part No.
1	D05030720
2	B41000680
3	B41000890
4	E26530442
5	E26760022
6	E31650010
7	D05240310
8	E98100150
8	E98103145
9	B50000020
10	E26790010
11	B82110060
12	E26035143
13	E26560446
14	D05111370
15	E26451200
16	B02171040
17	E26035101
18	E26561344
19	B51050290
20	E26090030
21	E26561311
22	E85250010 1-phase

Key	Part No.
23	E26035098
24	E26770160
25	E27070040
26	E27120030
27	E26760012
28	B41000070
29	E26221135
30	E26760011
31	E26560310
32	E26560310
33	B39220070
34	D05030730
35	D05002030
36	E26050540
37	B62200190
38	E26075012
39	E28770290 M12
39	E26760020 M16
40	B41350060 M12
40	B41350070 M16
41	E26135076
42	B41010040
43	E26090005

## Spare Parts

### Power Supply Diagram

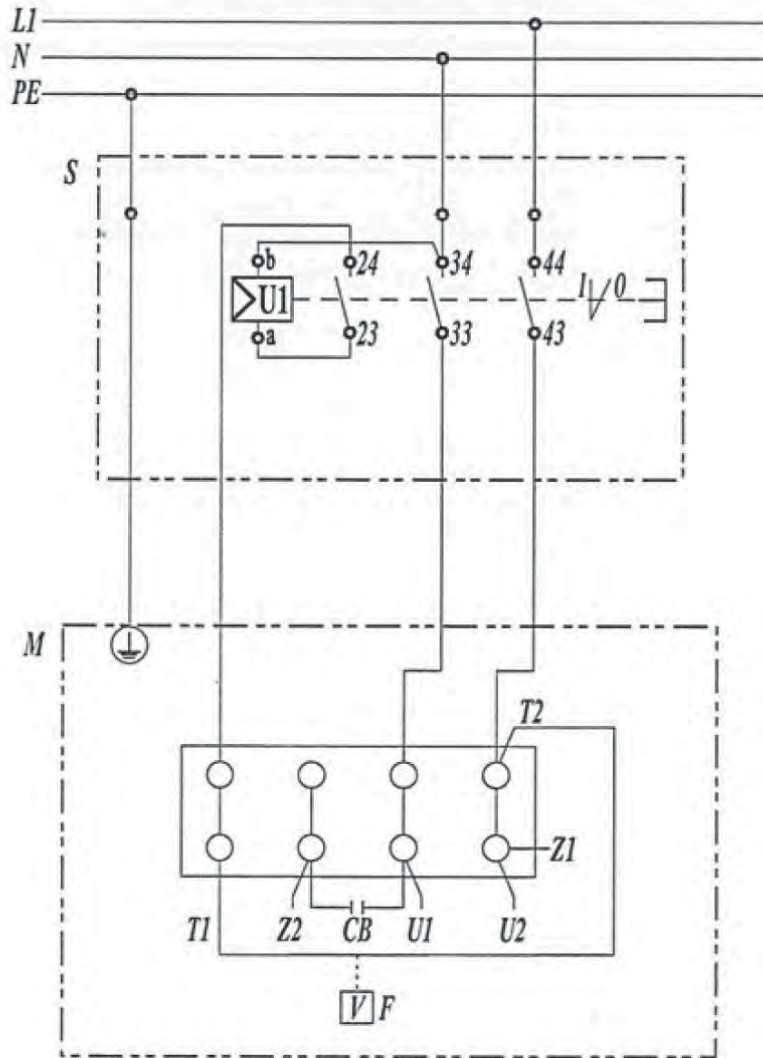


### Power Supply Diagram Part Numbers

Key	Part No.
1	E85250015 1-phase
2	E27675010
3	E27472160
4	E27675020
5	E26760022
6	E26515044
7	E87400190
8	E78100095 1-phase

# Wiring Diagram

## SINGLE-PHASE MOTOR



- S = ON-OFF switch**
- M = Motor**
- CB = Condensator**
- F = Temperature control (motor protection)**





© Tracmaster Ltd 2014.  
Specifications are subject to change without prior notice.



Tracmaster Ltd, Sovereign Centre, Victoria Road, Burgess Hill RH15 9LR  
T: +44 (0) 1444 247689 F: +44 (0) 1444 871612  
W: [www.tracmaster.co.uk](http://www.tracmaster.co.uk) E: [info@tracmaster.co.uk](mailto:info@tracmaster.co.uk)