

i = info - stop 2 sec. ★ = new part



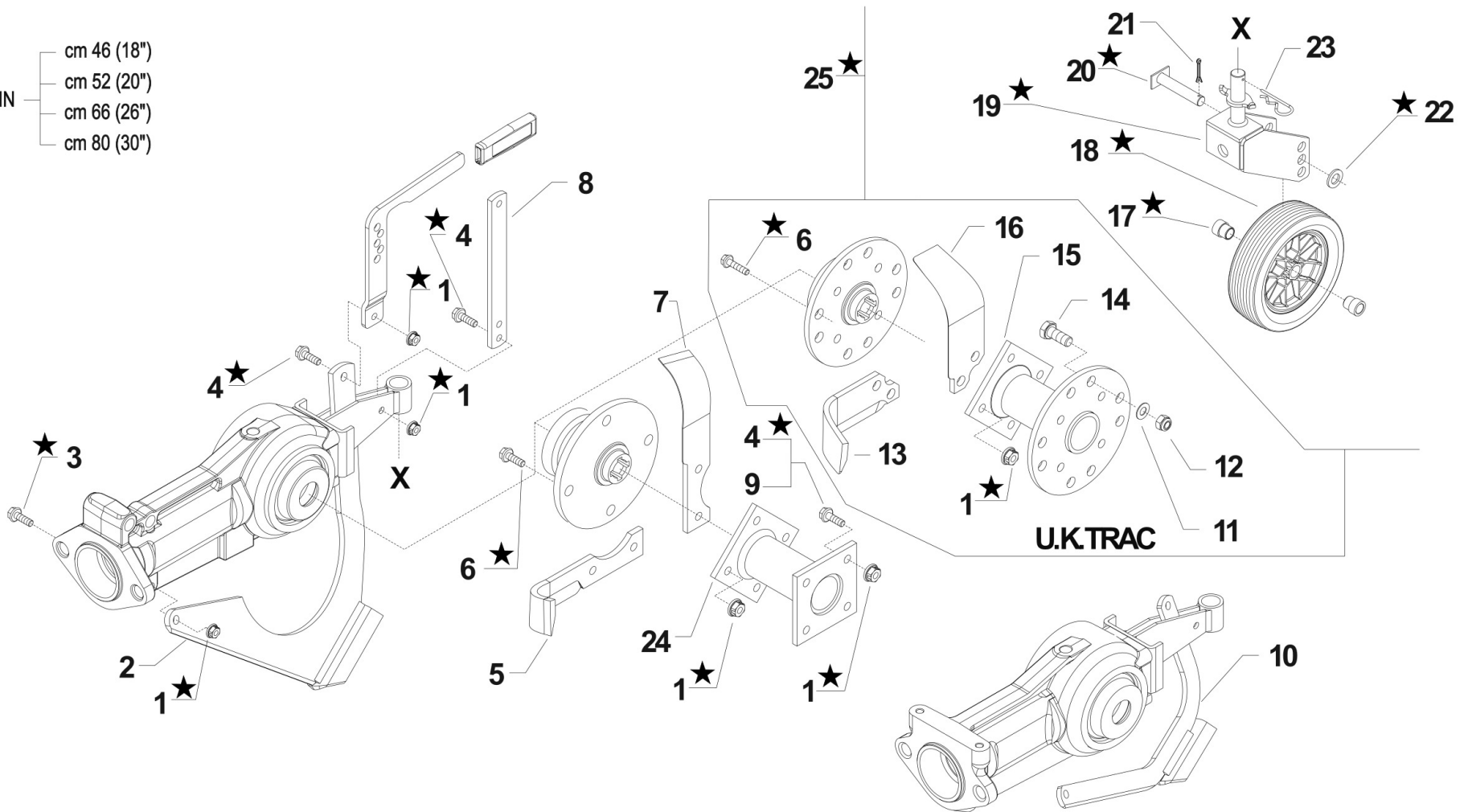
Pos.	Id	Q.ty	Description	Note
1	37141201		BEARING 7204-B (20X47X14)	cm 46
1	F0812640050		BEARING 3204 (20x47x20,60)	cm 52/cm 66/cm 80
2	52459226		BEVEL PINION Z=8x146	cm 46
2	52459230		BEVEL PINION Z8x185	
3	30000072		SMALL CAP CC 50X10	
4	31312078		STUD BOLT M8X32X14X14	
5	31421083		WASHER	
6	31241085		SELFLOCK NUT M8 6S	
7	31112151		SCREW TE M8X25 UNI 5739 8G	
8	59048435		FLANGE	
9	31241145		S/LOCK NUT M14 FL/NY DIN 6927	REPLACES 31241145 + 56148438
10	59059282		FLANGE	
11	30040001		PLUG 1/4 UNI 364	
12	38202001		OIL SEAL 25X35X7	
13	37111255		BEARING 6205 (25X52X15)	
14	31112090		SCREW TE M6X16 UNI 5739 8G	
15	56142291		WASHER 7,0x25/4	
16	38111554		O-RING 3062 (15,54X2,62)	
17	56458941		COUPLING D=20	
18	38212842		OIL SEAL 28X42X7	
19	37111200		BEARING 6004 (20X42X12)	
20	51259225		BODY	cm 46
20	51259234N		BODY	cm 52/cm 66/cm 80
21	58059475		SPECIAL NUT M12X1,25	cm 46
22	38118857		O-RING OR 3350 (88,57X2,62)	
23	59048408		GEARWHEELSHAFT Z=27	
24	51148428N		FLANGE 25	
25	59290858		CONTROL GRP.	cm 46
25	59290859		CONTROL GRP.	



Pos.	Id	Q.ty	Description	Note
26	59049853		REAR COVER	



- DIN
- cm 46 (18")
 - cm 52 (20")
 - cm 66 (26")
 - cm 80 (30")

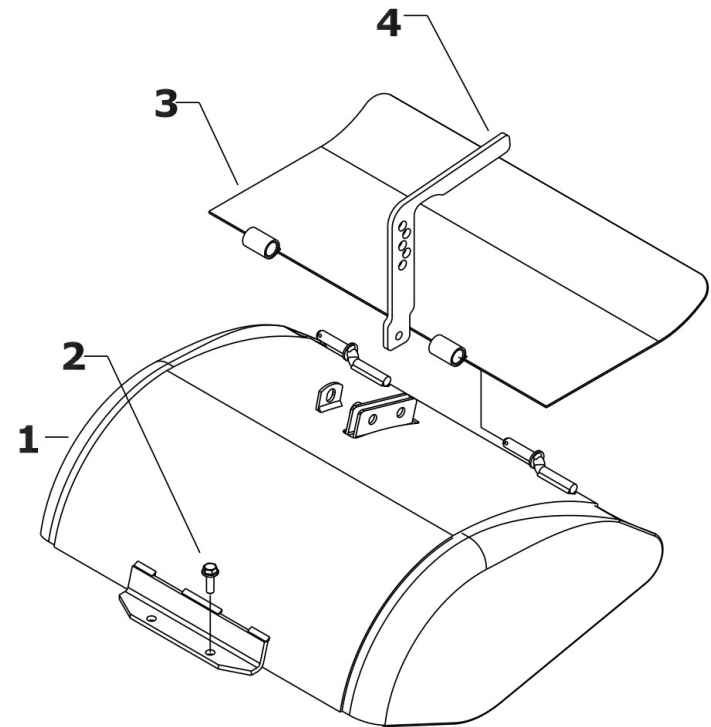
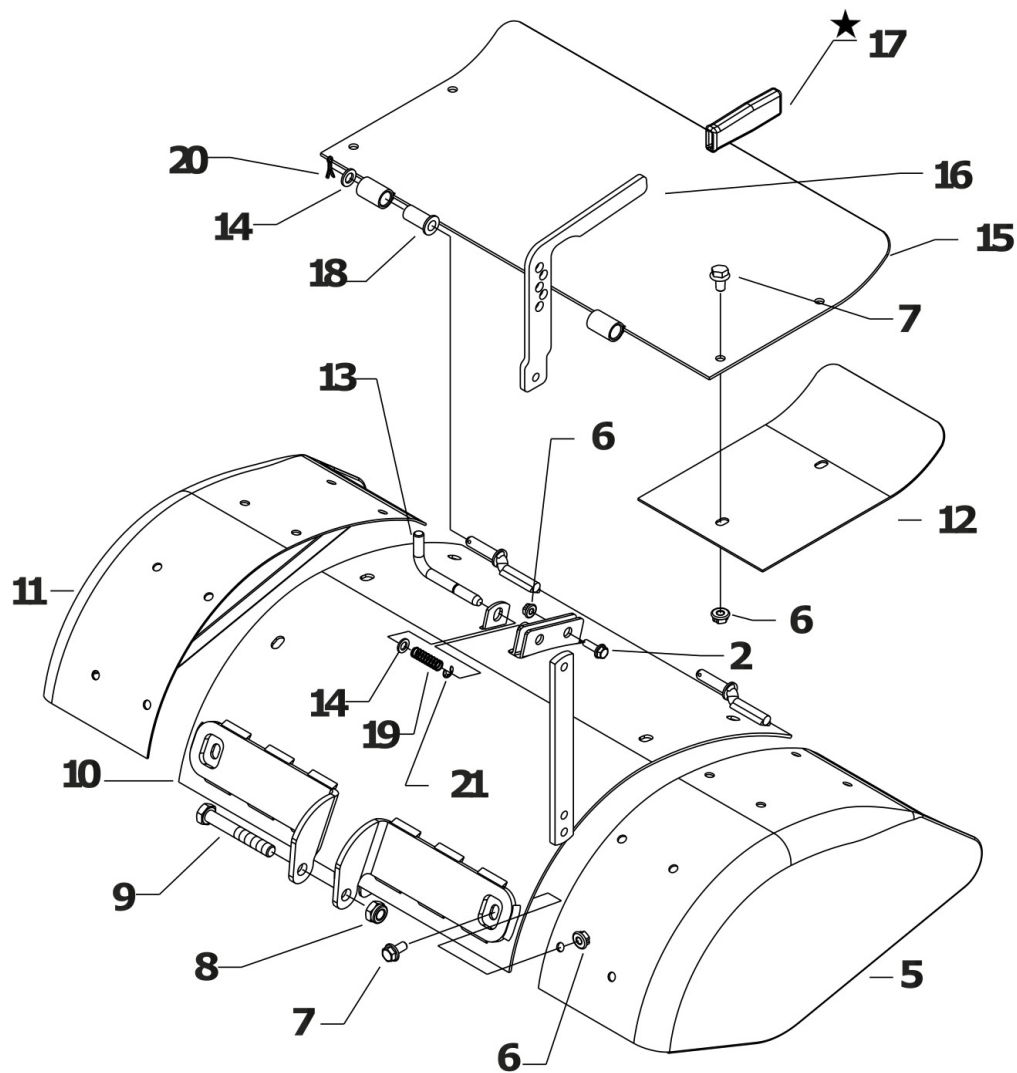


i = info - stop 2 sec. ★ = new part



Pos.	Id	Q.ty	Description	Note
1	31241084		SELFLOCK NUT M8 6S	
2	59049850N		KNIFE	
3	31112167		SCREW TE C/F M8X30 DIN 6921 8G	
4	31112166		SCREW TE C/F M8X25 DIN 6921 8G	
5	58059276		LEFT KNIFE	
5	58059278		LEFT KNIFE	
6	31112165		SCREW TE C/F M8X35 DIN 6921 8G	
7	58059275		RIGHT KNIFE	
7	58059277		RIGHT KNIFE	
8	56159363		HOOD ROD	
9	31112152		SCREW TE M8X30 UNI 5739 8G	
10	59059231		KNIFE	
11	31423105		SPRING WASHER 10,5	
12	31241100		SELFLOCK HEXAGON NUT M10	
13	58048434		LEFT KNIFE	
14	31112219		SCREW TE M10X25 UNI 5739	
15	59048422		SPACER	
16	58048433		RIGHT KNIFE	
17	55247373		BUSHING	
18	59047377		WHEEL	
19	590C0026N		COMPLETE FORK	
20	59047370Z		WHEEL SPINDLE	
21	34110042		SPLIT PIN A4X30 UNI 1336	
22	31411170		WASHER 17x30	
23	58002052		PIN	
24	59059283		SPACER	
25	922C0027		ROTARY HOE TRANSPORT WHEEL	





[Click for info](#)

★ = new part



Pos.	Id	Q.ty	Description	Note
1	59059365		BONNET	46 cm
2	31112166		SCREW TE C/F M8X25 DIN 6921 8G	
3	59059370		COMPLETE FLAP - ROTARY HOE 46	46 cm
4	56159372		COMPLETE ROD	
5	59059380		SIDE PANEL	LEFT
6	31241084		SELFLOCK NUT M8 6S	
7	31112171		SCREW TE C/F M8X16 DIN 6921	
8	31241121		SELFLOCK NUT M12	
9	31112294		SCREW TE M12X85 UNI 5737	
10	59059384		BONNET	52 - 66 CM
10	59059385		BONNET	80 CM
11	59059379		SIDE PANEL	RIGHT
12	56159383		TILTING INDICATOR	
13	56152053		PIN	
14	31411104		WASHER 10,5x18	
15	59059356		TILTING INDICATOR	52 - 66 CM
15	59059360		TILTING INDICATOR	80 CM
16	59049863		ROD	
17	55159364		RED FLAT KNOB	
18	55142109		BUSHING	
19	58052050		SPRING	
20	34110028		SPLIT PIN A3X15 UNI 1336	
21	35211080		SEEGER RING E 8 UNI 7434	

