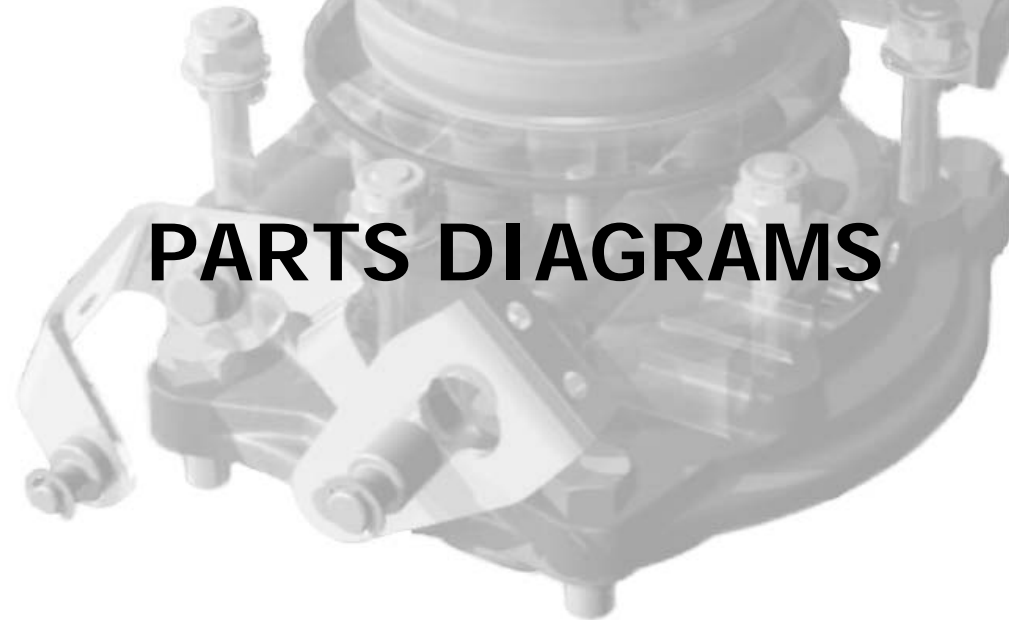




# BCS PowerSafe<sup>®</sup> Clutch

## PARTS DIAGRAMS



Tracmaster Ltd | Sovereign Centre | Victoria Road | Burgess Hill | RH15 9LR | UK

Tel: +44 (0)1444 247689 | F: +44 (0)1444 871612 | [www.tracmaster.co.uk](http://www.tracmaster.co.uk) | [spares@tracmaster.co.uk](mailto:spares@tracmaster.co.uk)



# BCS PowerSafe® Clutch

## TABLE OF CONTENTS

---

<b>Page 4</b> .....	<b>Clutch Control</b> Diagram Part Numbers
<b>Page 6</b> .....	<b>Clutch Cylinder</b> Diagram Part Numbers
<b>Page 8</b> .....	<b>Clutch Hubs</b> Diagram Part Numbers
<b>Page 10</b> .....	<b>Engine Flanges</b> Diagram Part Numbers
<b>Page 12</b> .....	<b>Oil Filter</b> Diagram Part Numbers

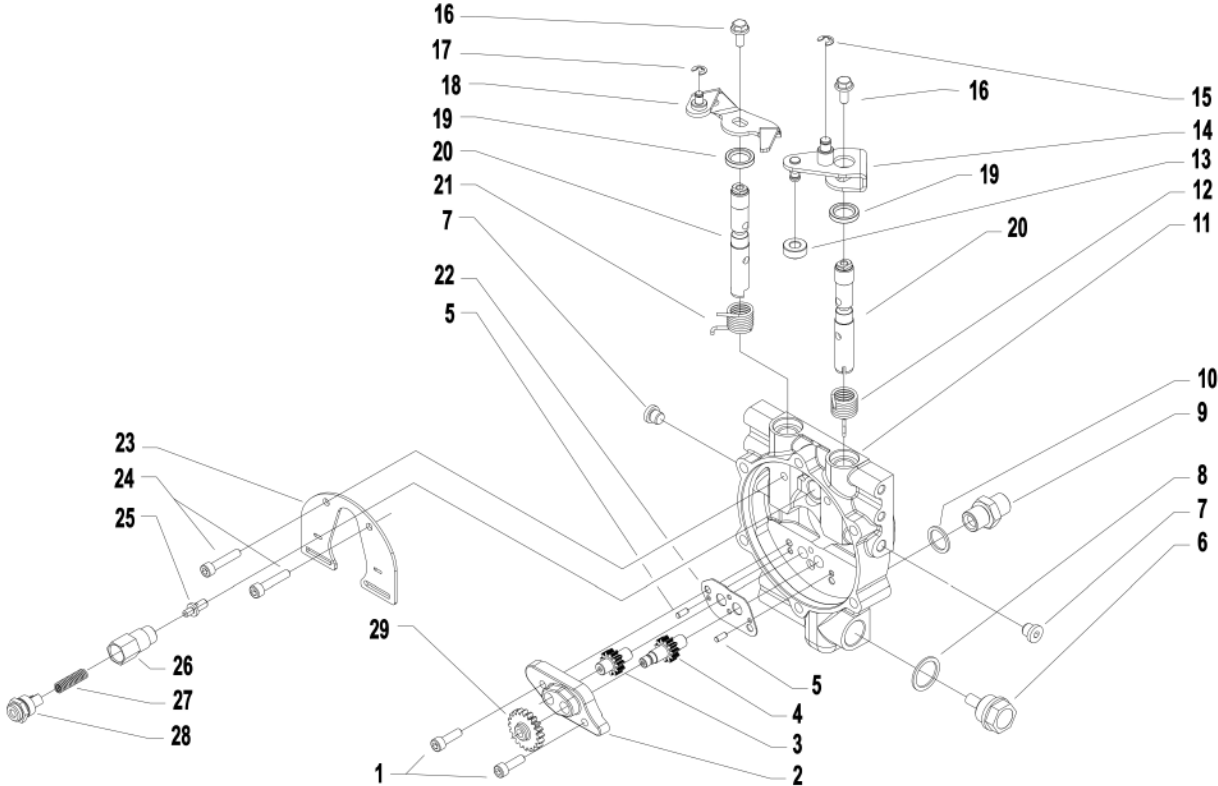
---

# BCS PowerSafe® Clutch



B01\_03 - POWERSAFE CLUCH CONTROL

CODE REV  
B.01.01.A0001\_03



## Clutch Control

# BCS PowerSafe® Clutch

Pos.	Code	Q.ty	Description	Notes
1	31152063	1	SCREW TCEI M6X20 UNI 5931	
2	51156214	1	COVER	
3	52456217	1	DRIVEN GEAR	
4	52456223	1	GEAR	
5	34221040	1	CYLINDRICAL PLUG	
6	58170021	1	PLUG	
7	580C0041	1	TAPPO 1/8 GAS - 107601 CAST	
8	F0844273090	1	GASKET 22X28X1,5 CU 99,5	
9	30000197	1	NIPPLE	
10	31480184	1	COPPER WASHER 16,7x22/1,5	
11	59256200	1	CLUTCH FLANGE	
12	58056222	1	SPRING	
13	55256228	1	ROLLER	
14	59056225Z	1	CLUTCH LEVER	
15	35211060	1	SEEGER RING E 6 UNI 7434	
16	31112084	1	SCREW TE C/F M6X14 DIN 6921 8G	
17	35211050	1	SEEGER RING	
18	59056298Z	1	LEVA STOP C.TA ZNT	Replaces 59056230Z from serial 901289
19	38211400	1	OIL SEAL 14X22X4	
20	52456220	1	DISTRIBUTOR	
21	58056221	1	SPRING	
22	56356661	1	COUNTERWEIGHT	
23	56156224	1	SHIELD	
24	31152060	1	SCREW TCEI M6X30 UNI 5931	
25	56456657	1	VALVE	
26	56156658	1	VALVE SEAT	
27	58056683	1	MOLLA VALVOLA 2.5	Replaces 58056192 from serial number 883609
28	56356242	1	TAPPO VALVOLA	
29	52456235	1	PUMP GEAR	

SERIAL

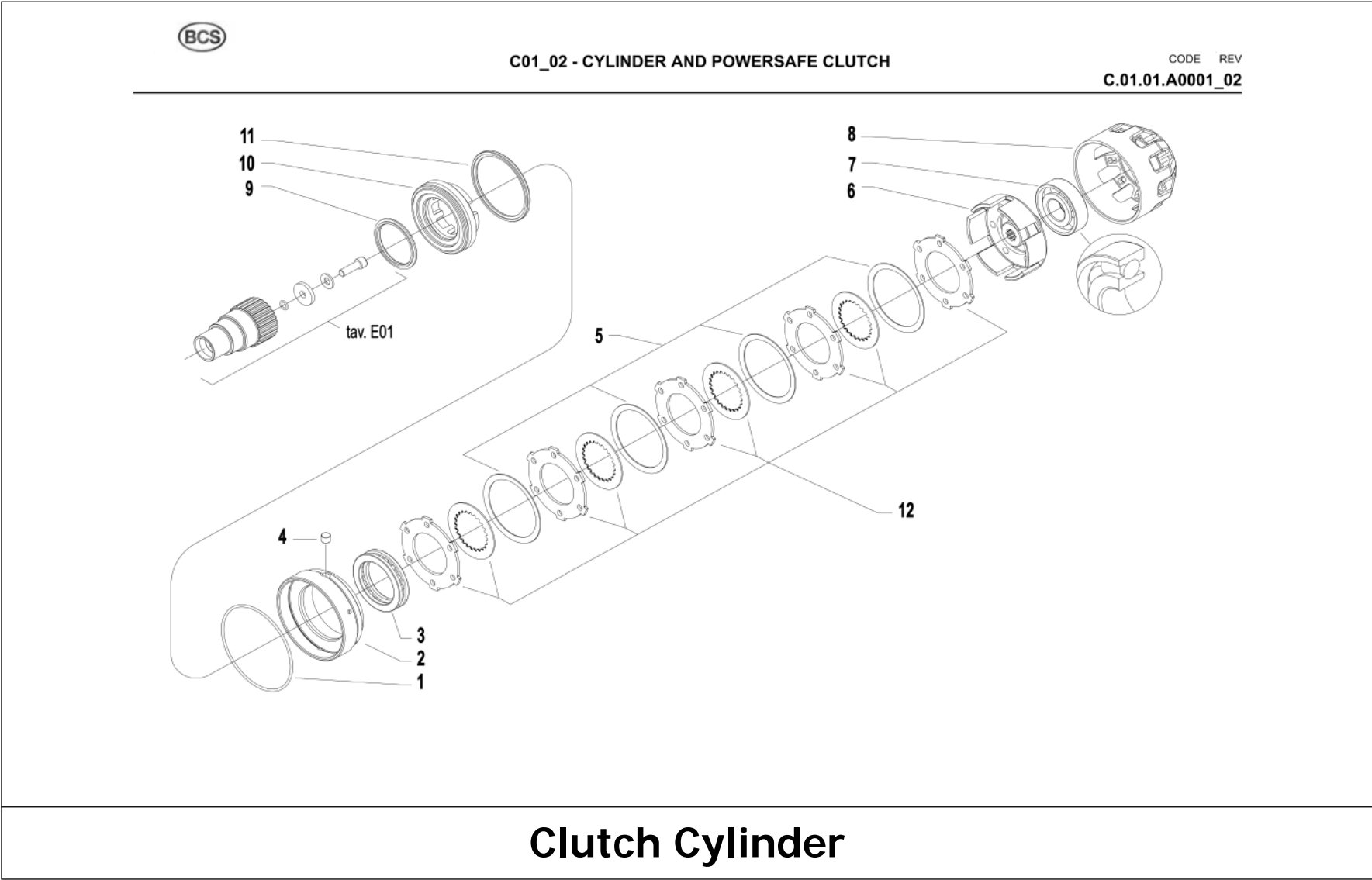
B01\_03 - POWERSAFE CLUCH CONTROL

CODE REV

B.01.01.A0001\_03

## Clutch Control

# BCS PowerSafe® Clutch



# BCS PowerSafe® Clutch

Pos.	Code	Q.ty	Description	Notes
1	38118859	1	O-RING	
2	56356216	1	RING	
3	37161500	1	BEARING	
4	56156247	1	PIN	
5	56556213	1	SPRING	
6	52456694	1	FRICTION BELL	Replaces 56356212 + 56356215 + 52456211
7	37141253	1	BEARING	
8	53156210	1	SUMP	
9	38120500	1	RING	
10	53156218	1	PISTON	
11	38140850	1	RING	
12	59256693	1	9 DISC CLUTCH	Replaces 56356212 + 56356215 + 52456211

SERIAL

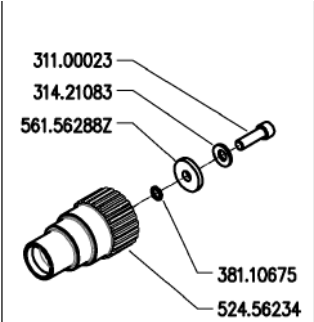
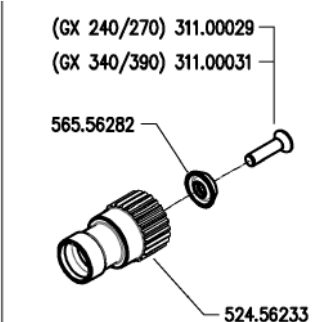
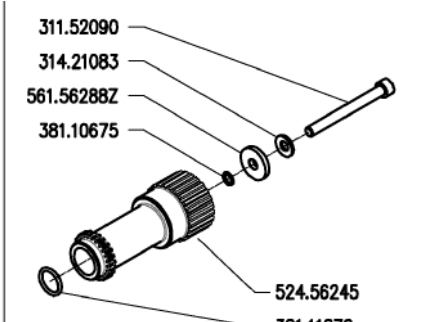
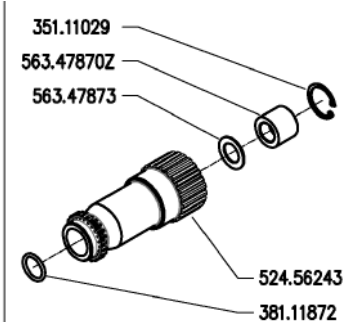
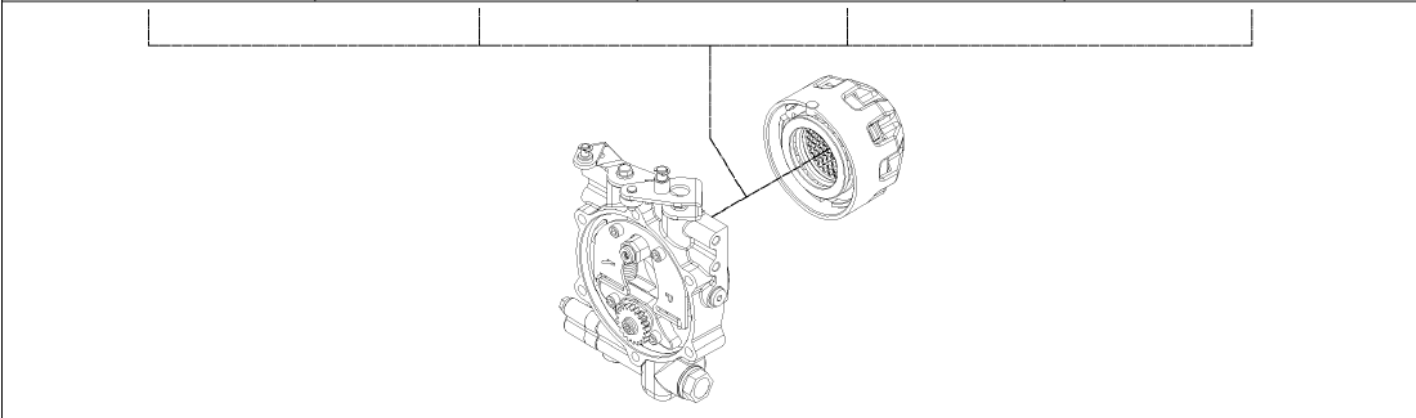

C01\_02 - CYLINDER AND POWERSAFE CLUTCH

CODE REV

C.01.01.A0001\_02

## Clutch Cylinder

# BCS PowerSafe® Clutch

 <p>311.00023 314.21083 561.56288Z 381.10675 524.56234</p> <p><b>GX 160-200</b></p>	 <p>(GX 240/270) 311.00029 (GX 340/390) 311.00031 565.56282 524.56233</p> <p><b>GX 240-270-340-390</b></p>	 <p>311.52090 314.21083 561.56288Z 381.10675 524.56245 381.11872</p> <p><b>15LD350-440 - L70-100</b></p>	 <p>351.11029 563.47870Z 563.47873 524.56243 381.11872</p> <p><b>15LD500 - 3LD510 ★</b></p>											
														
	<p><b>700 serie PS</b> <b>PowerSafe®</b></p>	<p><b>MOZZI FRIZIONE POWERSAFE</b></p> <p>POWERSAFE CLUTCH HUBS CUBOS EMBRAGUE POWERSAFE</p> <p>MOYEURS EMBRAYAGE POWERSAFE NABEN POWERSAFE KUPPLUNG</p>	<p>DALLA MACCHINA DE LA MAQUINA DE LA MAQUINA FROM THE MACHINE AB DER MASCHINE</p> <p>★ N.</p> <table border="1"> <tr> <td>AGGIORNAMENTO</td> <td rowspan="2">E01</td> <td rowspan="2">1</td> </tr> <tr> <td>APLAZAMIENTO</td> </tr> <tr> <td>MISE A JOUR</td> <td rowspan="2">11/2010</td> <td rowspan="2">1</td> </tr> <tr> <td>REVISION</td> </tr> <tr> <td>ANPASSUNG</td> <td></td> <td></td> </tr> </table> <p>DATE: BCS - Scala 1:6</p>	AGGIORNAMENTO	E01	1	APLAZAMIENTO	MISE A JOUR	11/2010	1	REVISION	ANPASSUNG		
AGGIORNAMENTO	E01	1												
APLAZAMIENTO														
MISE A JOUR	11/2010	1												
REVISION														
ANPASSUNG														

## Clutch Hubs



# BCS PowerSafe® Clutch

Pos.	Code	Q.ty	Description	Notes
31100023	31100023	1	SCREW 5/16-24	
31100029	31100029	1	SCREW TSVEI 7/16-20X1 1/2 UNF8G	
31100031	31100031	1	SCREW TSVEI 3/8-24X1 1/2 UNF 8G	
31152090	31152090	1	SCREW TCEI M8x80 UNI5931	
31421083	31421083	1	WASHER	
35111029	35111029	1	SEEGER RING	
38110675	38110675	1	O-RING 106 (6.75X1.78)	
38111872	38111872	1	O-RING 3075 (18,72x2,62)	
52456233	52456233	1	HUB	
52456234	52456234	1	HUB	
52456243	52456243	1	HUB	
52456245	52456245	1	HUB	
56347873	56347873	1	WASHER	
56556282	56556282	1	WASHER D.25,4	
56156288	56156288Z	1	SPECIAL WASHER SP.4	
56347870	56347870Z	1	SPECIAL NUT	

SERIAL

POWERSAFE CLUTCH HUB

CODE REV  
E01\_1\_132337

## Clutch Hubs

# BCS PowerSafe® Clutch

**★ 3LD510**

**GX 160-200**

- 381.10873
- 531.56206
- 313.12073
- 312.41083
- 314.23084
- 311.04022
- 381.19823
- 382.12500
- D.19mm
- F080.3067000
- 524.56237
- 563.56240
- 561.56276

**GX 240-270-340-390**

- 531.56205
- 313.12073
- 312.41083
- 311.00015
- 382.13500
- D.25.4mm
- F080.3075500
- 524.56236
- 563.56239
- 561.56281
- F=7/16" (GX240/270)
- F=3/8" (GX340/390)

**★ 3LD510**

- 532C0055
- 313.12073
- 312.41083
- 382.13202
- 3LD510
- 381.19823

**15LD350-440-500 L70-100**

- 531.56207
- 313.12097
- 312.41083
- 381.19823
- 382.13202
- 15LD500

	700 serie PS PowerSafe®	ENGINE FLANGES	BRIDES MOTEUR	DALLA MACCHINA DE LA MAQUINA DE LA MACHINA FROM THE MACHINE AB DER MASCHINE	AGGIORNAMENTO	F01	Rev. 1	
		BRIDAS MOTOR	MOTOR FLANSCH		★ N.			APLAZAMIENTO
								MISE A JOUR
								REVISION
								ANPASSUNG
						11/2010	DATE/BCS - Scala 1:6	

## Engine Flanges

# BCS PowerSafe® Clutch

Pos.	Code	Q.ty	Description	Notes
31100015	31100015	1	SCREW TE 3/8X1	
31104022	31104022	1	SCREW TCEI 5/16X7/8 UNF 12K	
31241083	31241083	1	SELFLOCK NUT M8	
31312073	31312073	1	STUD BOLT	
31312097	31312097	1	STUD BOLT	
31423084	31423084	1	SPRING WASHER 8,4	
38110873	38110873	1	O-RING 108 (8,73X1,78)	
38119823	38119823	1	O-RING	
38212500	38212500	1	OIL SEAL 25X40X7	
38213202	38213202	1	OIL SEAL 32X45X7	
38213500	38213500	1	OIL SEAL 35X47X7	
52456236	52456236	1	PUMP GEAR	
52456237	52456237	1	PUMP GEAR	
53156205	53156205	1	ENGINE FLANGE	
53156206	53156206	1	ENGINE FLANGE	
53156207	53156207	1	ENGINE FLANGE	
532C0055	532C0055	1	ACT ENGINE FLANGE	
56156276	56156276	1	SLEEVE	
56156281	56156281	1	CENTRING BUSH	
56356239	56356239	1	FEEDER Q25	
56356240	56356240	1	TRASCINATORE Q19	
F0803067	F0803067000	1	O-RING 2075 (18,77X1,78)	
F0803075	F0803075500	1	O-RING 2100 (25,12X1,78)	

SERIAL

ENGINE FLANGES

CODE REV

F01\_1\_132354

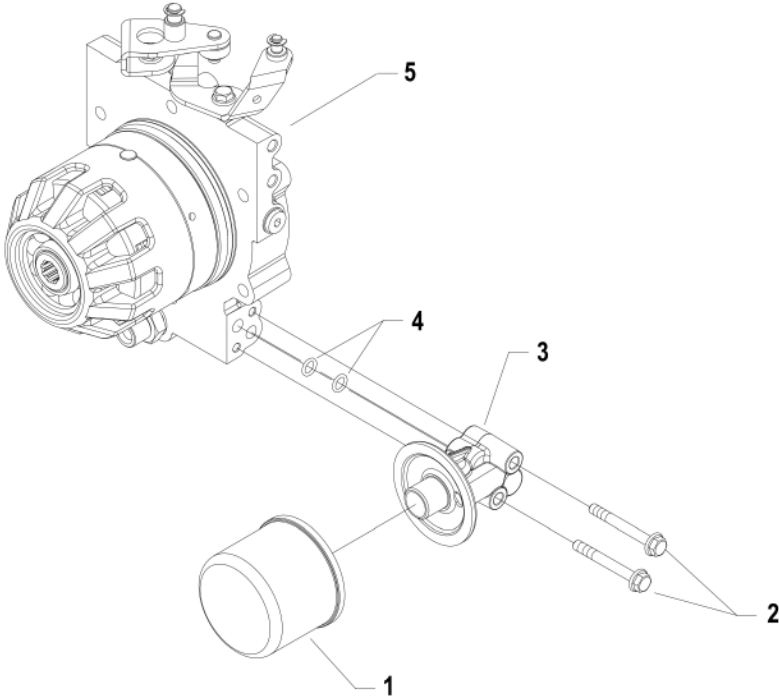
## Engine Flanges

# BCS PowerSafe® Clutch



D01\_02 - POWERSAFE FILTER UNIT

CODE REV  
D.01.01.A0001\_02



## Oil Filter Unit

# BCS PowerSafe® Clutch

Pos.	Code	Q.ty	Description	Notes
1	58056208	1	FILTER	
2	31112099	1	SCREW TE C/F M6X50 DIN 6921 8G	
3	53156209	1	CONNECTION	
3	53156659	1	CONNECTION	Powersafe EasyDrive
4	38110873	1	O-RING 108 (8,73X1,78)	
5	59256035	1	POWERSAFE CLUTCH ASSY Q19	For motors GX160/200
5	59256036	1	POWERSAFE CLUTCH	For motors GX240/270-EX21
5	59256037	1	GR.FRIZ.POWERSAFE Q25.4 (3/8)	For motors GX340/390
5	59256038	1	POWERSAFE CLUTCH	For motors 15LD350/440-L70/100
5	59256039	1	POWERSAFE CLUTCH ASSY	For motors 15LD500/3LD510

SERIAL

D01\_02 - POWERSAFE FILTER UNIT

CODE REV

D.01.01.A0001\_02

## Oil Filter Unit