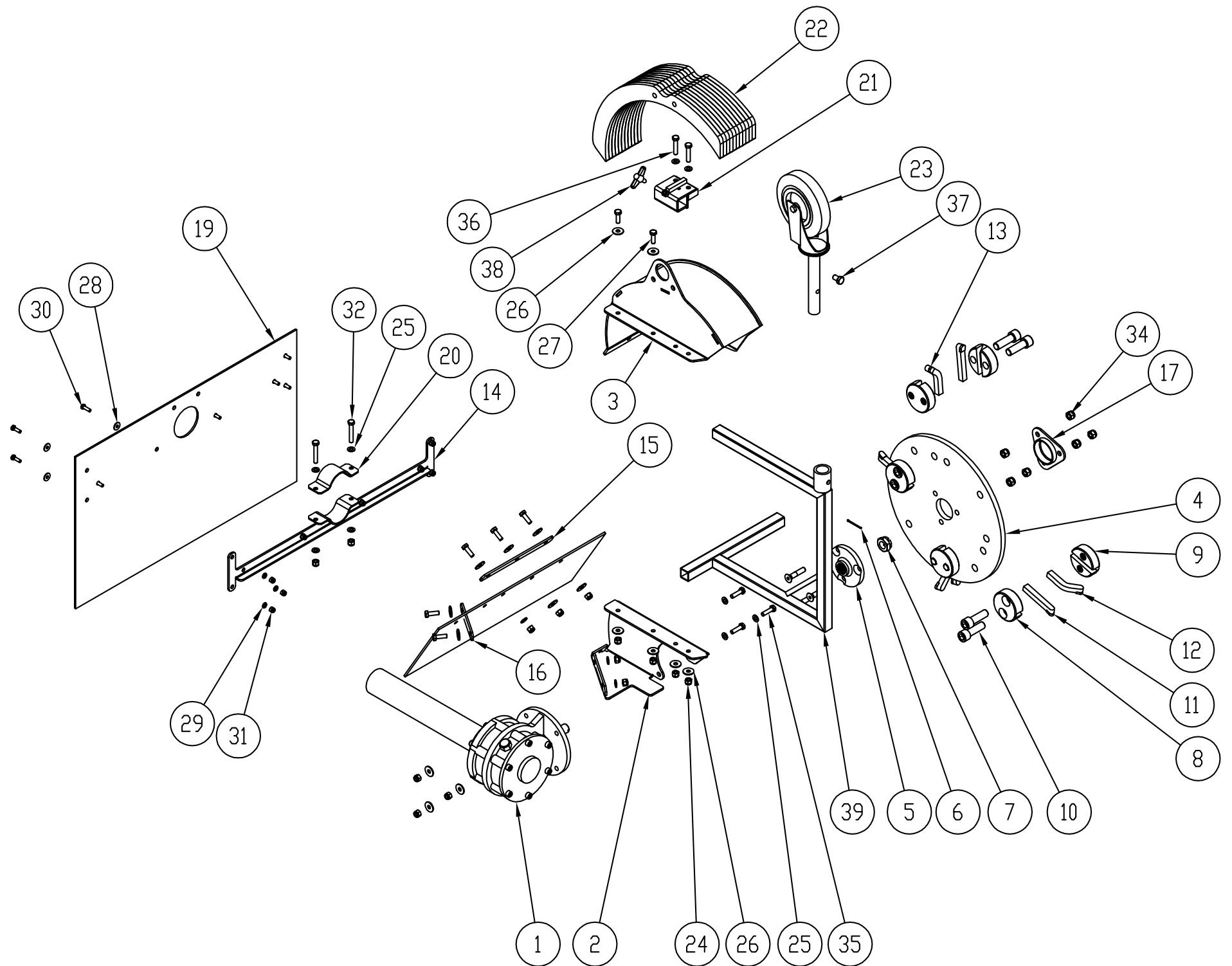




Spare parts list 1/2

FRCP MTC

Pos	Description	No.	Code
1	Gearbox*	1	001179
2	Cover support	1	001167
3	Cover	1	001168
4	Disc for cutters	1	000012
5	Hub for disc	1	001169
6	Split 2,5	1	900843
7	Nut with notch M20	1	900844
8	Drilled block	4	000013
9	Threaded block	4	000083
10	Screw TCEI M16x50x1,5	8	900579
11	Straight cutter	4	900021
12	Right cutter	2	900013
13	Left cutter	2	900012
14	Guard support	1	001170
15	Guard plate	1	001171
16	Guard plate	1	001172
17	Cover	1	001173
18	Front guard	1	001174
19	Rear guard	1	001175
20	Bracket ø55	1	001176
21	Wheel support	1	001177
22	Counter weight kit**	1	001406
23	Wheel	1	012600000
24	Self lock nut M8	14	900027
25	Washer ø8x16	12	900034
26	Washer ø8x24	16	900038
27	Screw TE M8x25	7	900333
28	Washer ø6x18	8	900046
29	Washer ø6x12	8	900365



* Serial No. required

** Optional item

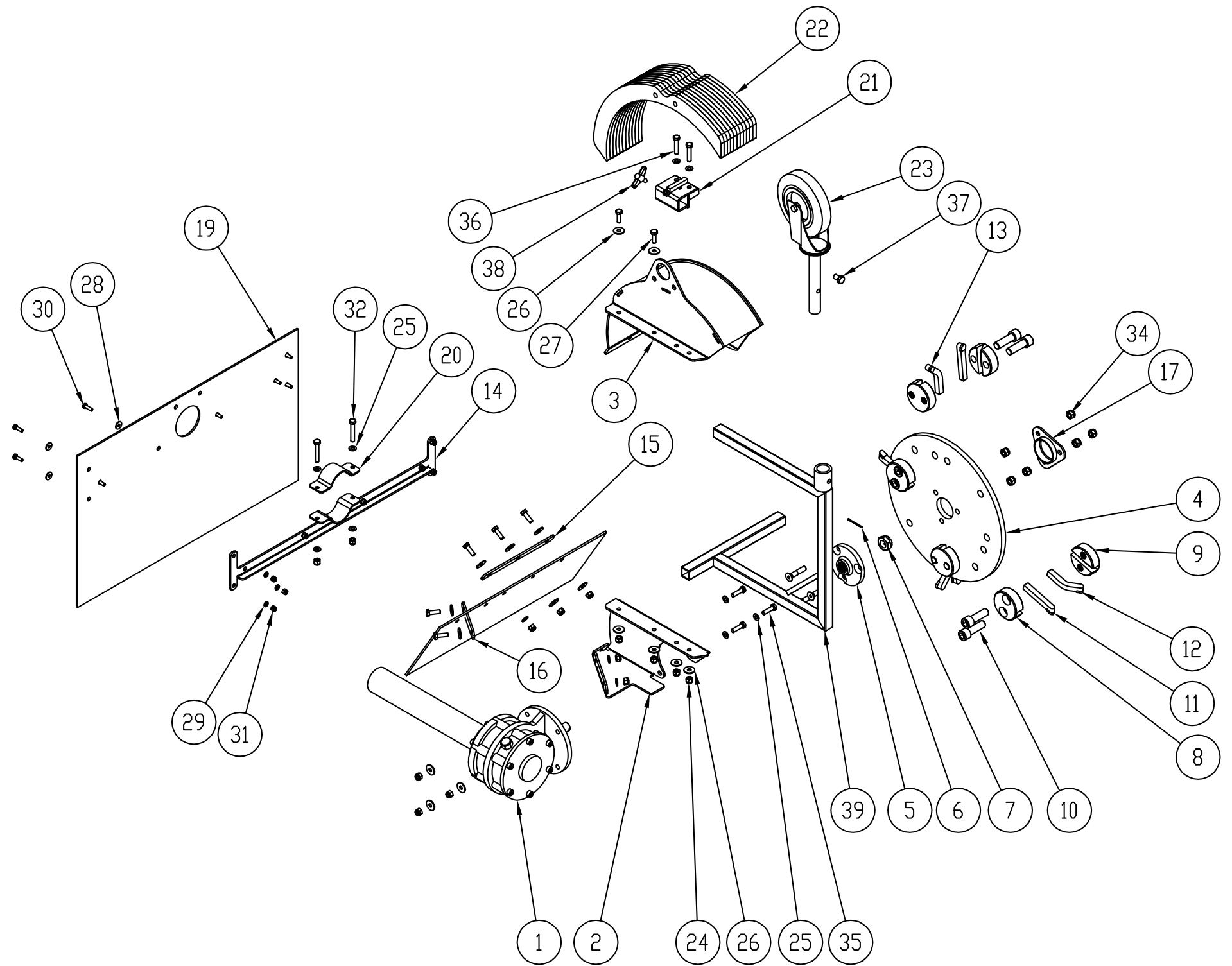
Rev. 1-2018



Spare parts list 2/2

FRCP MTC

Pos	Description	No.	Code
30	Screw TE M6x20	8	900395
31	Self lock nut M6	8	900041
32	Screw TE M8x50	2	900716
33	Screw TSPEI M10x50	3	900845
34	Self lock nut M10	6	900030
35	Screw TE M8x30	3	900368
36	Screw TE M8x40	1	501840010
37	Screw TE M10x16	1	900820
38	Wing nut M8 M	1	900040
39	Machine and wheel support	1	001407



Rev. 1-2018