

A faded, vertical image of a hole borer machine is centered in the background. It consists of a red and white engine at the top, mounted on a metal frame with handles. A long, silver metal shaft extends downwards, ending in a series of four spiral drill bits.

NEAH035 HOLE BORER

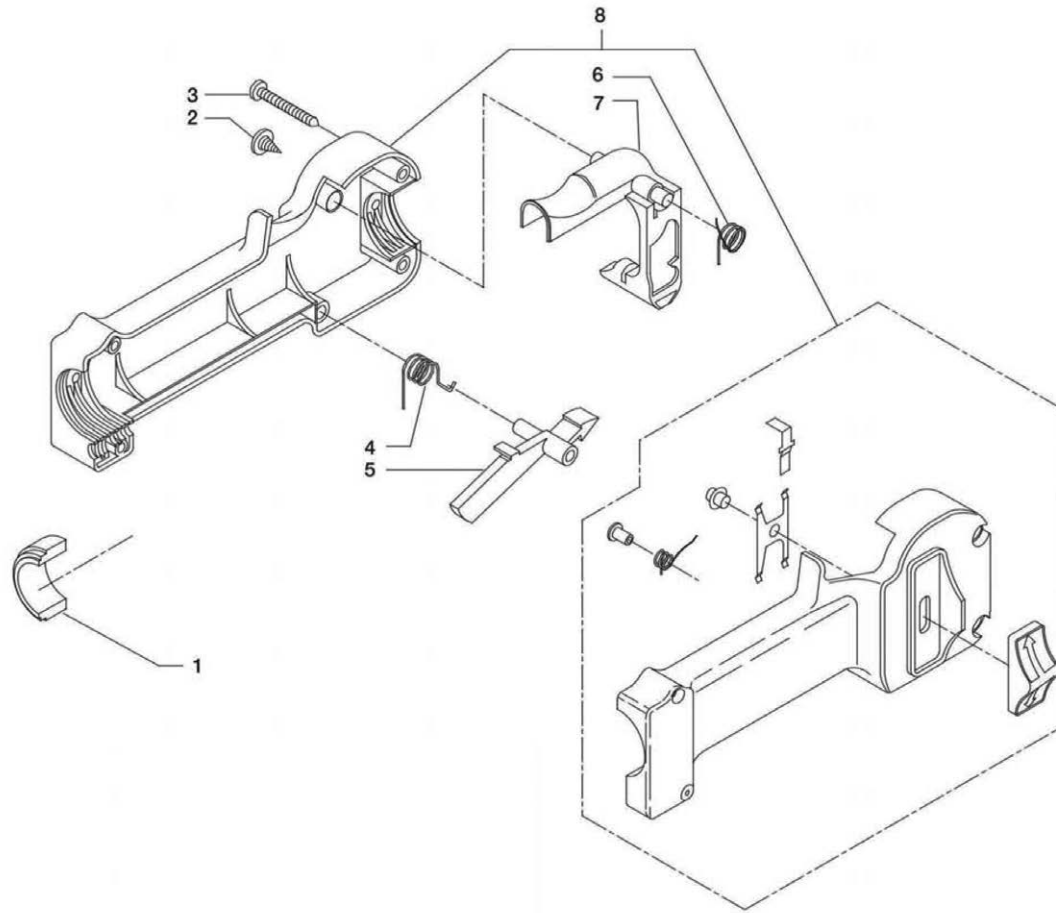
PARTS DIAGRAMS



Tracmaster Ltd | Sovereign Centre | Victoria Road | Burgess Hill | RH15 9LR | UK

Tel: +44 (0)1444 247689 | www.tracmaster.co.uk | spares@tracmaster.co.uk

NEAH035 Hole Borer



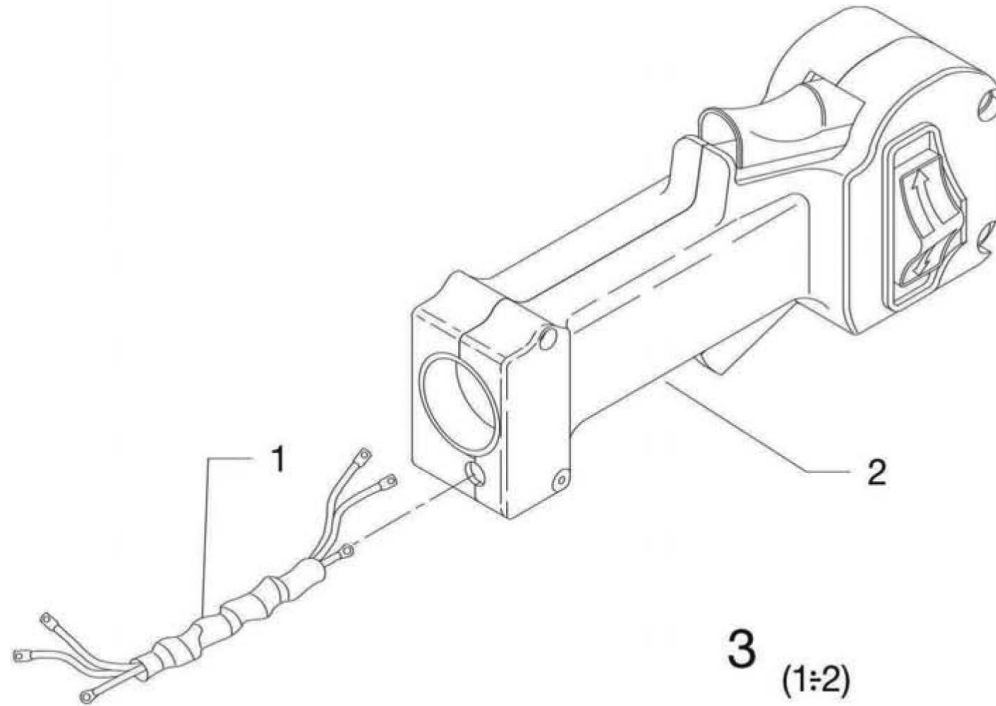
Hole Borer Diagram - 1

NEAH035 Hole Borer

REF. NO.	PART. NO.	QUANTITY		NOTE
		NEA 39-45-52-57	NEA HO 35 NEA 34C NEA TH43/48	
1	541430	4	4	
2	030650	1	1	
3	030860	4	4	
4	180230	1	1	
5	541410	1	1	
6	180220	1	1	
7	541400	1	1	
8	750890	1	1	

Parts List - 1

NEAH035 Hole Borer



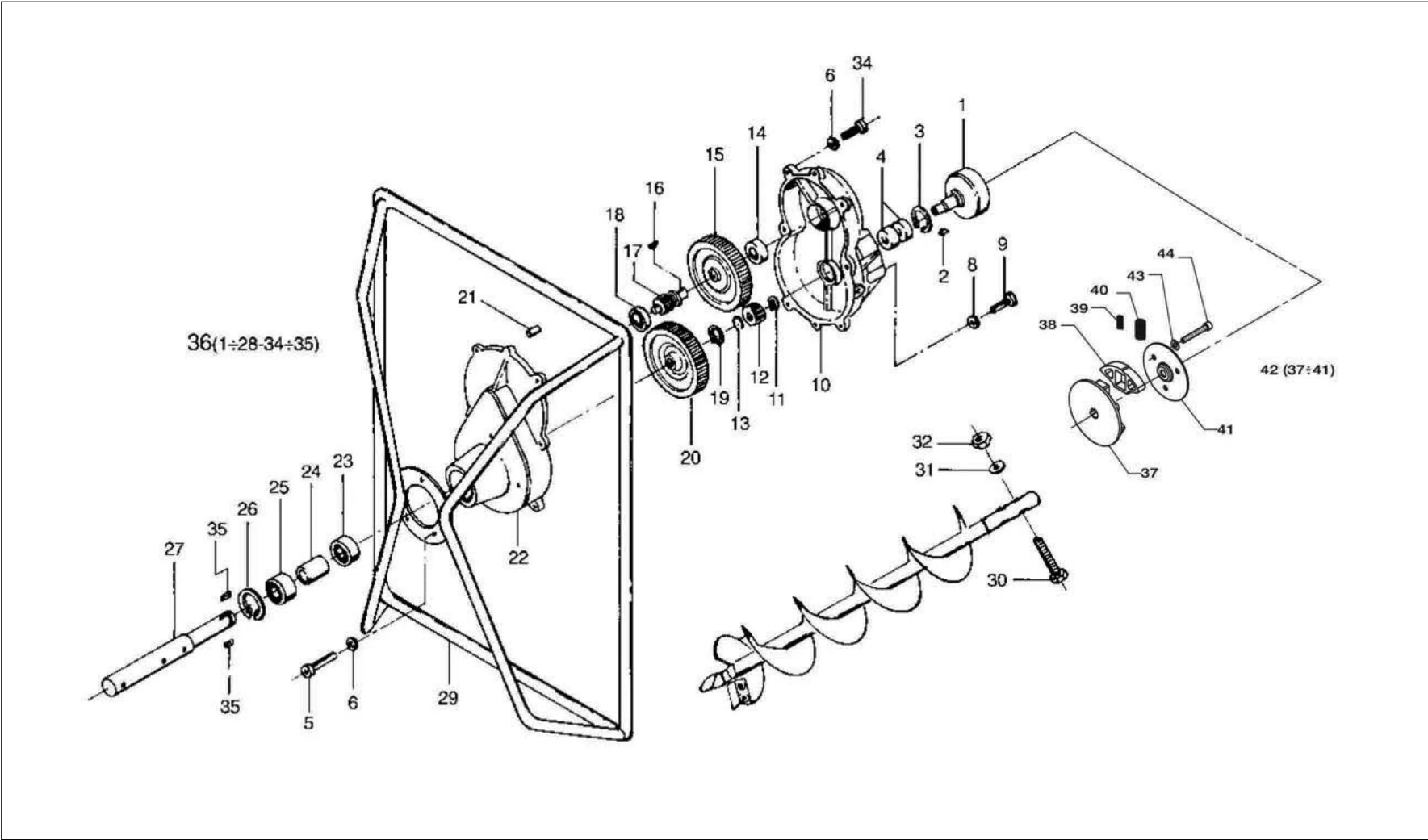
Hole Borer Diagram - 2

NEAH035 Hole Borer

REF. NO.	PART. NO.	QUANTITY	
		NEA 39-45-52-57	NEA HO 35 NEA 34C NEA TH43/48
1	752040	1	
	752470		1
2	721450	1	1
3	723090	1	
	723690		1

Parts List - 2

NEAH035 Hole Borer



Hole Borer Diagram - 3

NEAH035 Hole Borer

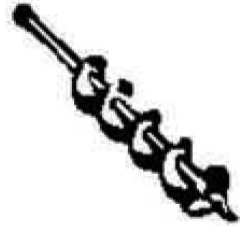
REF. NO.	PART. NO.	QUANTITY		NOTE
		NEA 39-45-52-57	NEA HO 35 / NEA34C NEA TH43/48	
1	750150	1	1	
2	420030	1	1	
3	120070	1	1	
4	270120	2	2	
5	030090	3	3	
6	090010	9	9	
8	090830	4	4	
9	030350	4	4	
10	480240	1	1	
11	120050	1	1	
12	360270	1	1	
13	120090	1	1	
14	270070	1	1	
15	360280	1	1	
16	420090	1	1	
17	360300	1	1	
18	270130	1	1	
19	120260	1	1	
20	360290	1	1	
21	420070	2	2	
22	480250	1	1	

REF. NO.	PART. NO.	QUANTITY		NOTE
		NEA 39-45-52-57	NEA HO 35 / NEA34C NEA TH43/48	
23	270140	1	1	
24	090100	1	1	
25	270150	1	1	
26	120110	1	1	
27	390110	1	1	
29	751170	1	1	
30	030270	2	2	
31	090080	2	2	
32	060030	2	2	
34	030630	6	6	
35	420210	2	2	
36	721270	1	1	
37	780080	1	1	
38	780020	3	3	
39	180030	3	3	
40	180040	3	3	
41	510200	1	1	
42	721390	1	1	
43	090830	3	3	
44	030620	3	3	

Parts List - 3

NEAH035 Hole Borer

SPIRAL AUGERS FOR NEAH035



EXTRA Series	∅ 80x800 mm	720020
EXTRA Series	∅ 100x800 mm	720040
EXTRA Series	∅ 120x800 mm	720070
EXTRA Series	∅ 150x800 mm	720170
EXTRA Series	∅ 180x800 mm	720210
EXTRA Series	∅ 200x800 mm	720350

EXTENSION FOR NEAH035



Without spiral, length 400 mm 750360

Augers & Extension

NEAHO35 Hole Borer

DIGGING CUTTERS FOR AUGERS

Tempered steel



For augers with ø 80 mm	600470
For augers with ø 100 mm	600160
For augers with ø 150 mm	600170
For augers with ø 200 mm	600180
For augers with ø 250 mm	600190
For augers with ø 300 mm	600200
For augers with ø 350 mm	600210
For augers with ø 400 mm	600220

DRILLS FOR AUGERS

Tempered steel



For NEAHO35	750750
For T135HO	750760

Digging Cutters & Drills